



US00D468311S

(12) **United States Design Patent**  
**Lee**

(10) **Patent No.:** **US D468,311 S**

(45) **Date of Patent:** **\*\* Jan. 7, 2003**

(54) **LIQUID CRYSTAL DISPLAY**

D430,874 S \* 9/2000 Hsu ..... D14/126  
D448,769 S \* 10/2001 Jung ..... D14/374

(75) Inventor: **Roger Lee**, Chung Ho (TW)

\* cited by examiner

(73) Assignee: **Amtran Technology Co., Ltd.**, Chung Ho (TW)

*Primary Examiner*—Freda Nunn

(74) *Attorney, Agent, or Firm*—MacPherson Kwok Chen & Heid LLP

(\*\*) Term: **14 Years**

(57) **CLAIM**

(21) Appl. No.: **29/153,772**

The ornamental design for liquid crystal display, as shown and described.

(22) Filed: **Jan. 11, 2002**

(51) **LOC (7) Cl.** ..... **14-02**

**DESCRIPTION**

(52) **U.S. Cl.** ..... **D14/375**

(58) **Field of Search** ..... D14/371, 374-376,  
D14/379, 125-129; 248/917-924; 345/104,  
156, 168, 173; 348/180, 184, 325, 739;  
349/1, 2, 11, 62

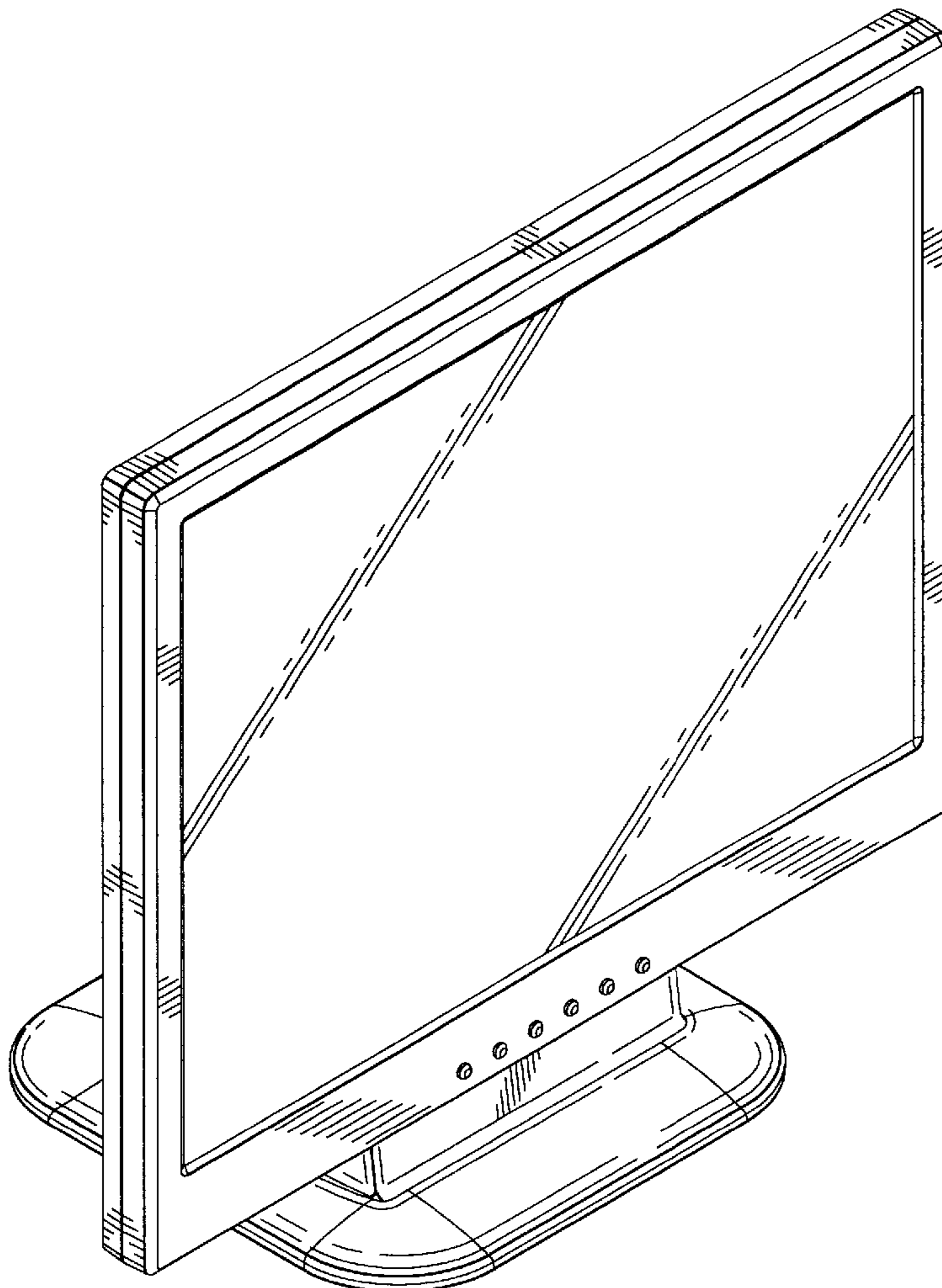
FIG. 1 is a perspective view of liquid crystal display showing my new design;  
FIG. 2 is a front elevational view thereof;  
FIG. 3 is a rear elevational view thereof;  
FIG. 4 is a left side elevational view thereof;  
FIG. 5 is a right side elevational view thereof;  
FIG. 6 is a top plan view thereof; and,  
FIG. 7 is a bottom plan view thereof.

(56) **References Cited**

**U.S. PATENT DOCUMENTS**

D416,006 S \* 11/1999 Park ..... D14/126  
D424,034 S \* 5/2000 Li ..... D14/126

**1 Claim, 3 Drawing Sheets**



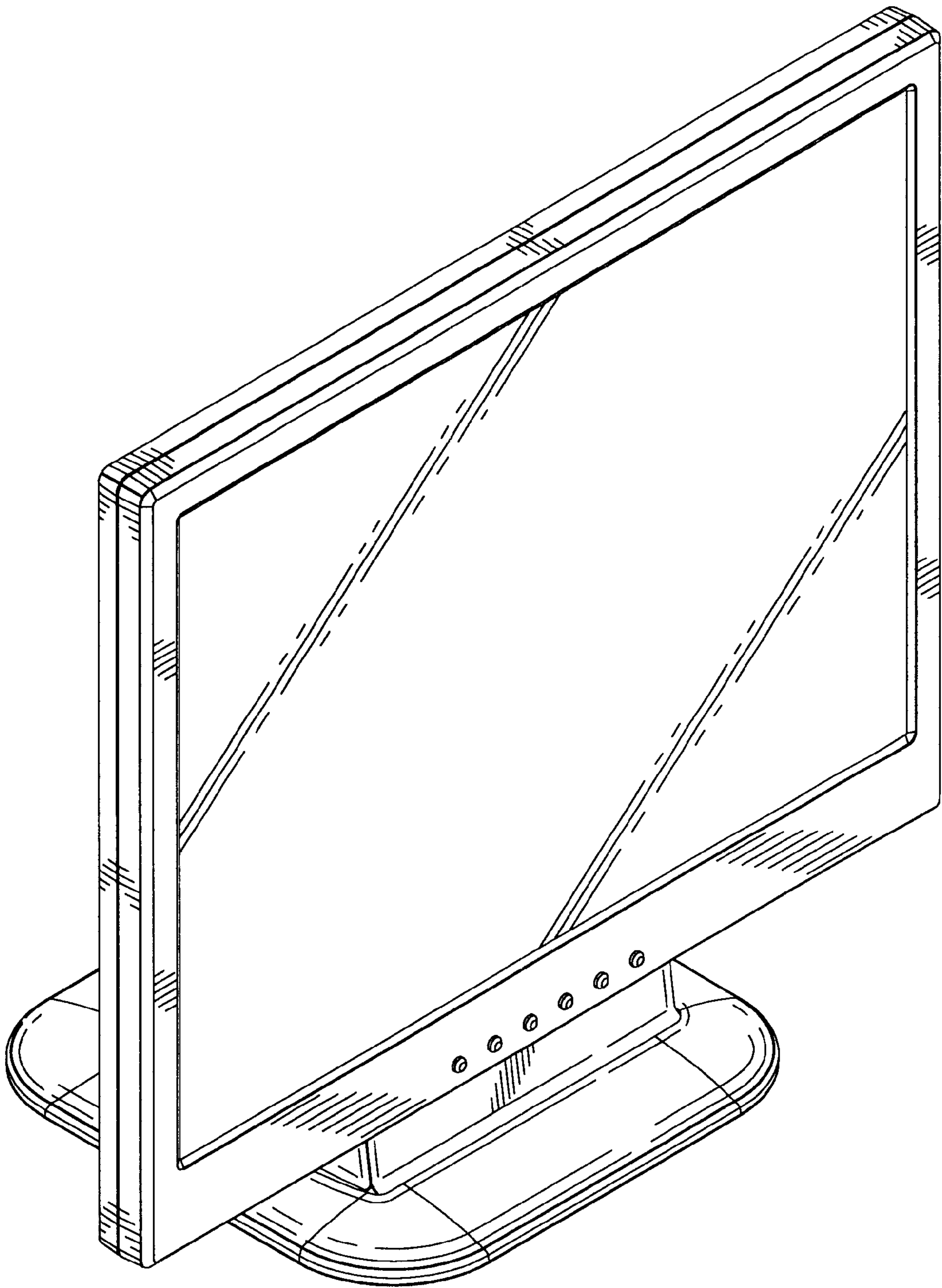


FIG. 1

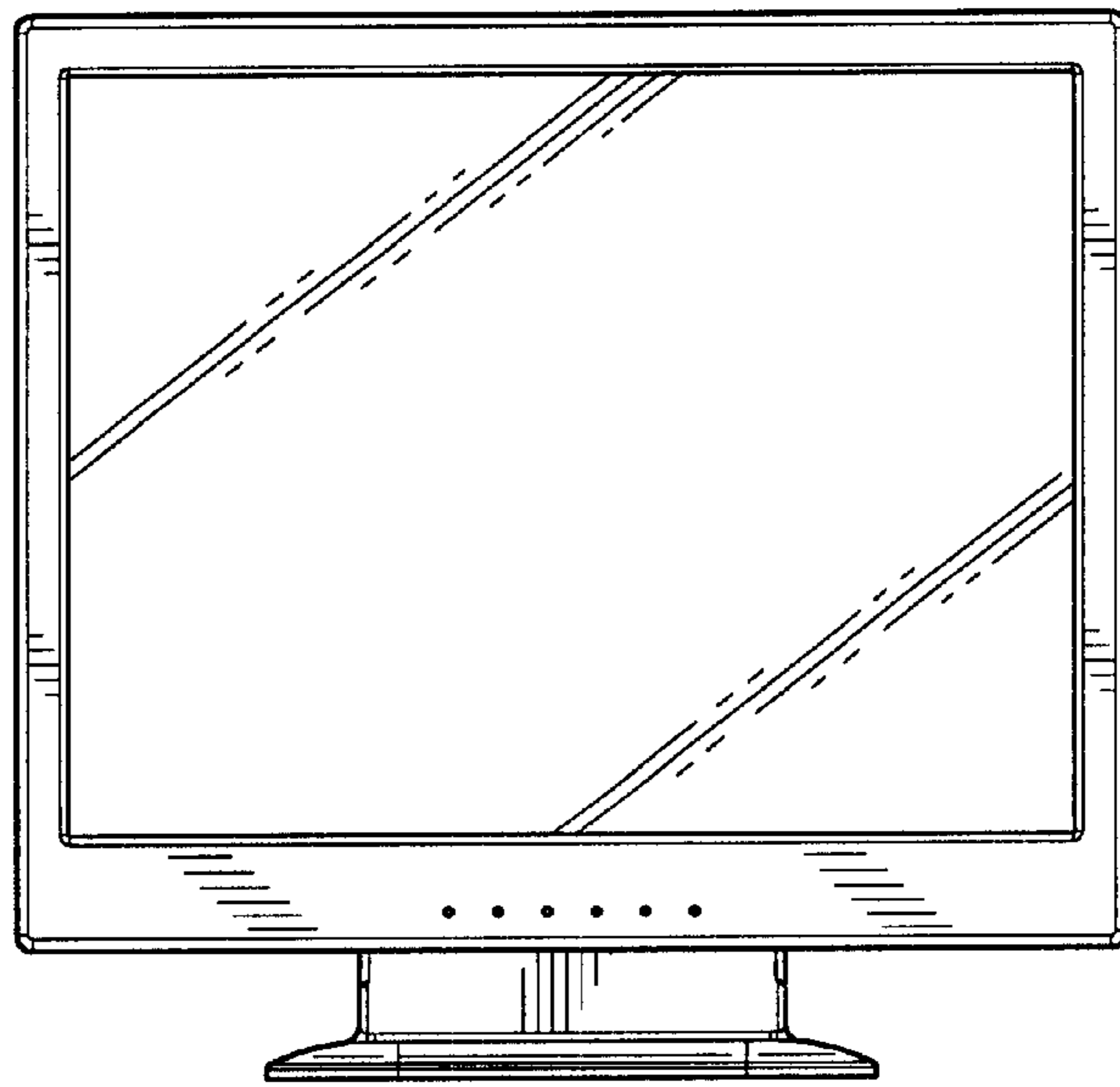


FIG. 2

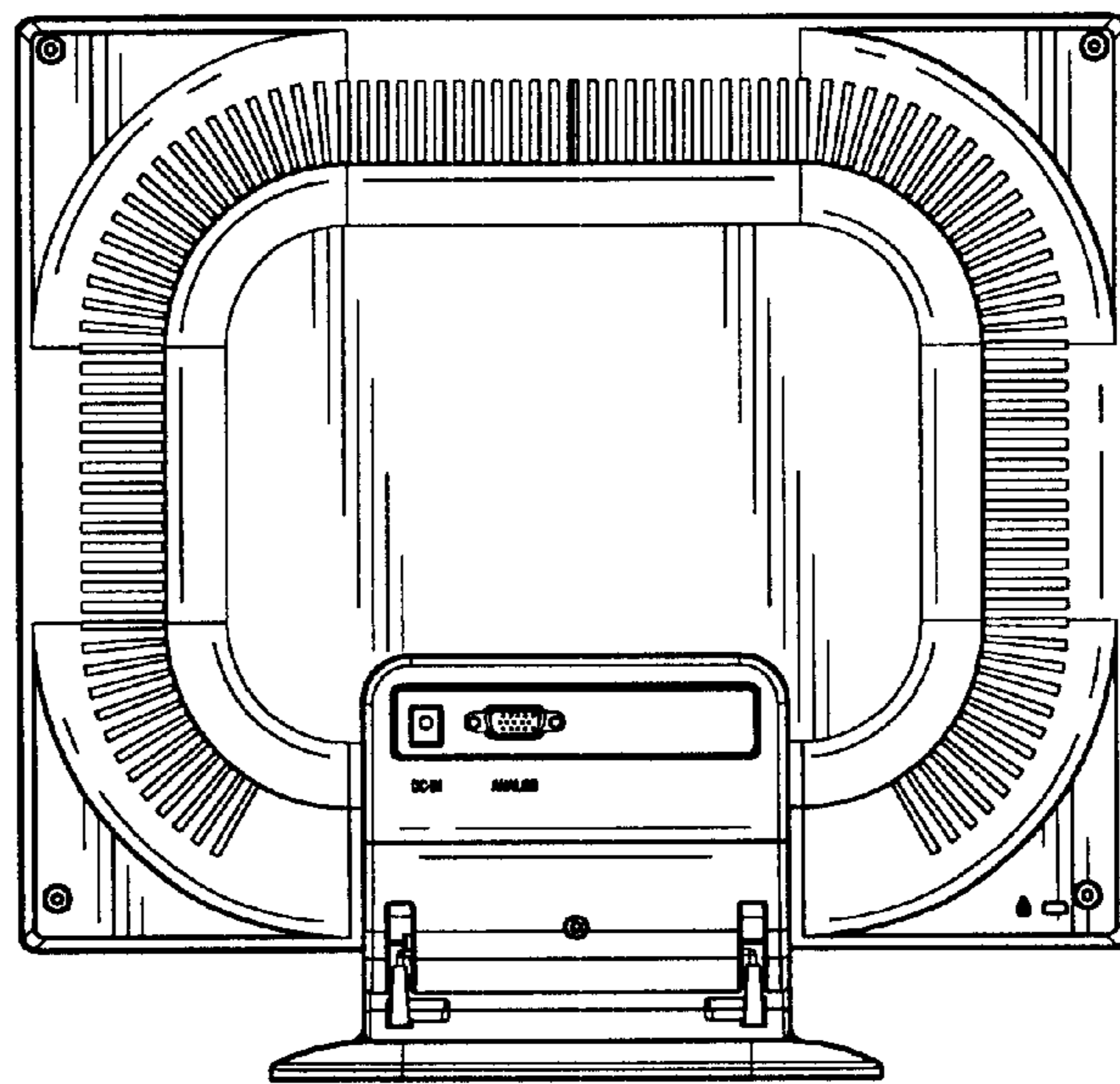


FIG. 3

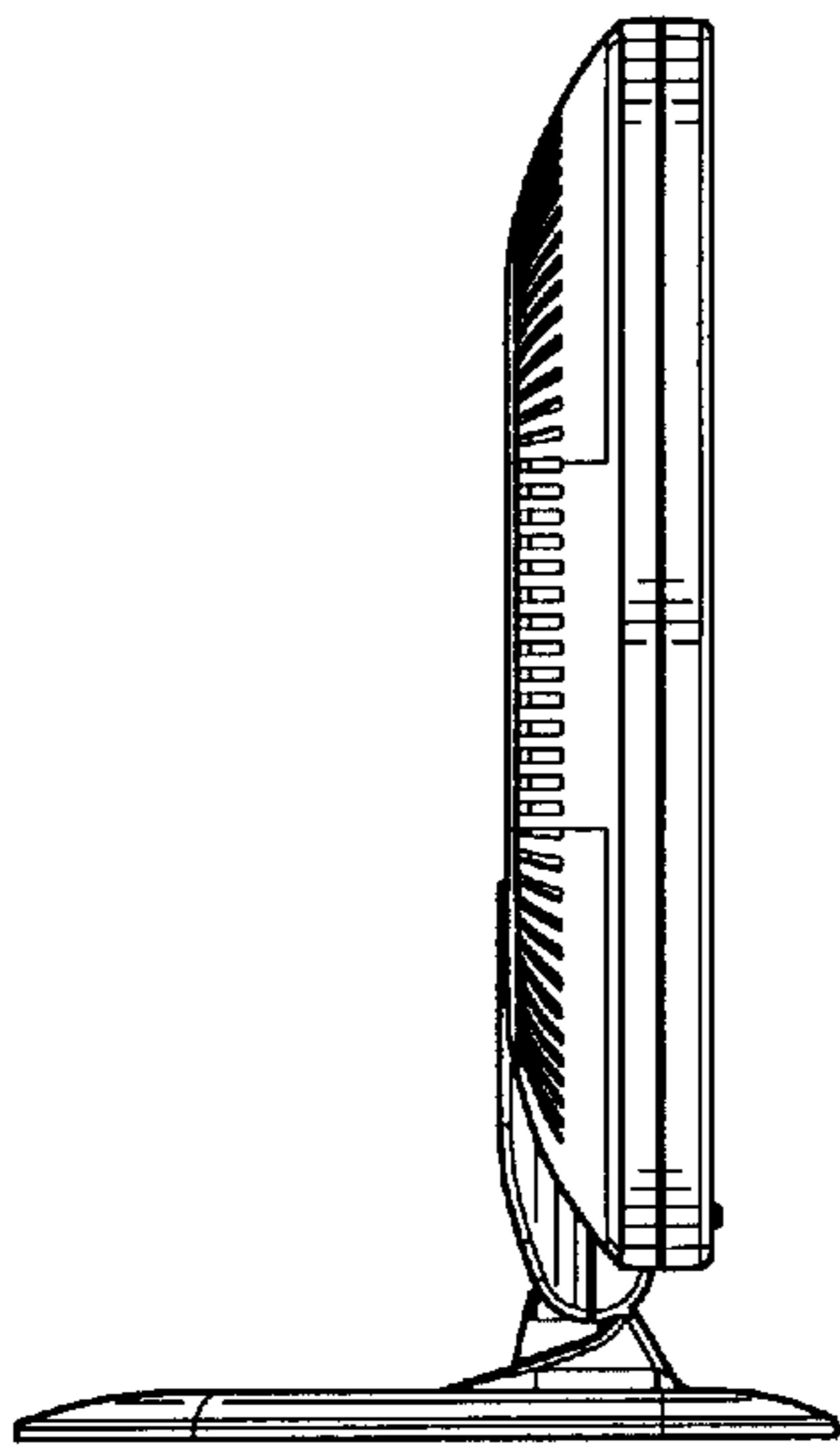


FIG. 4

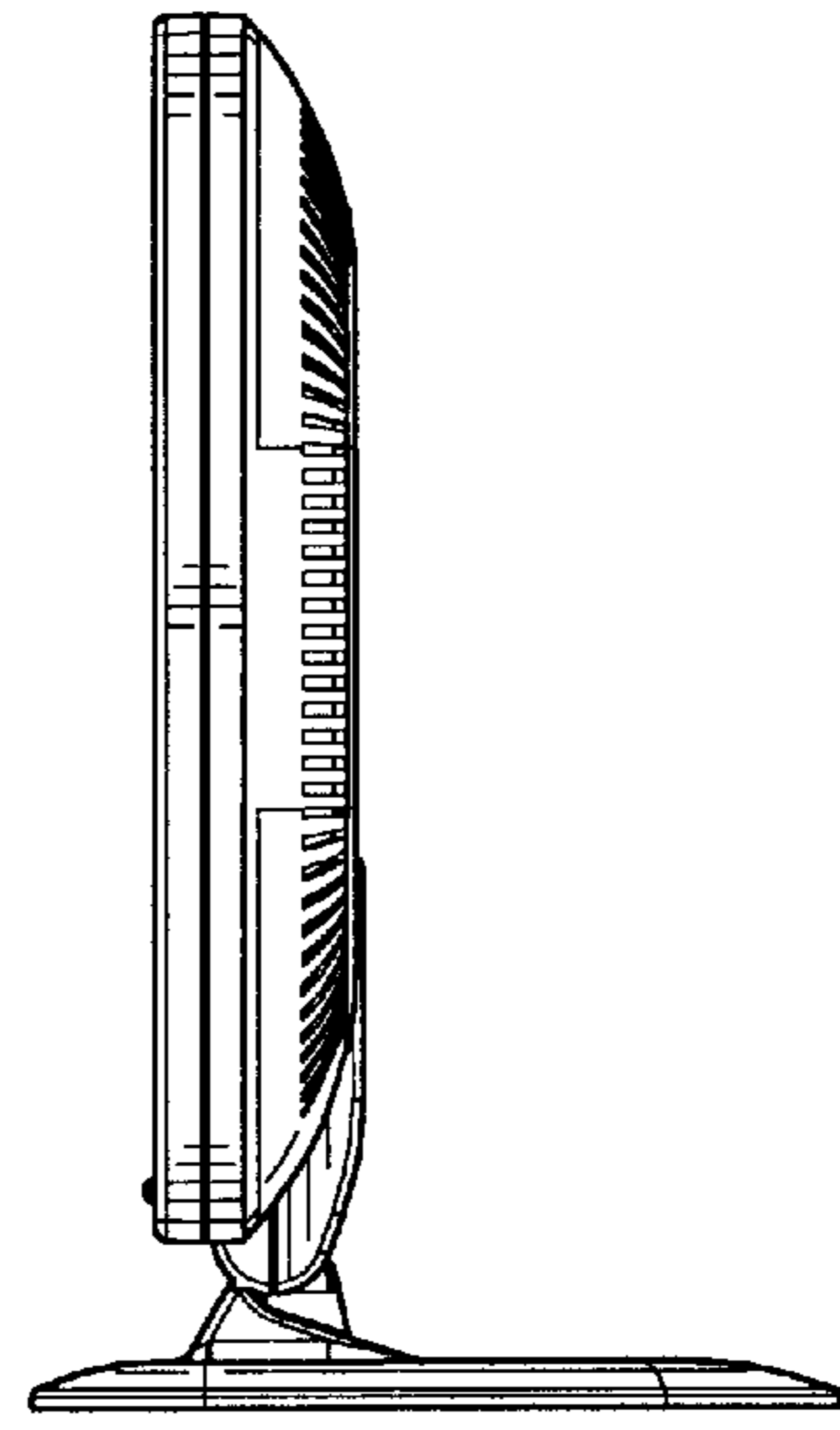


FIG. 5

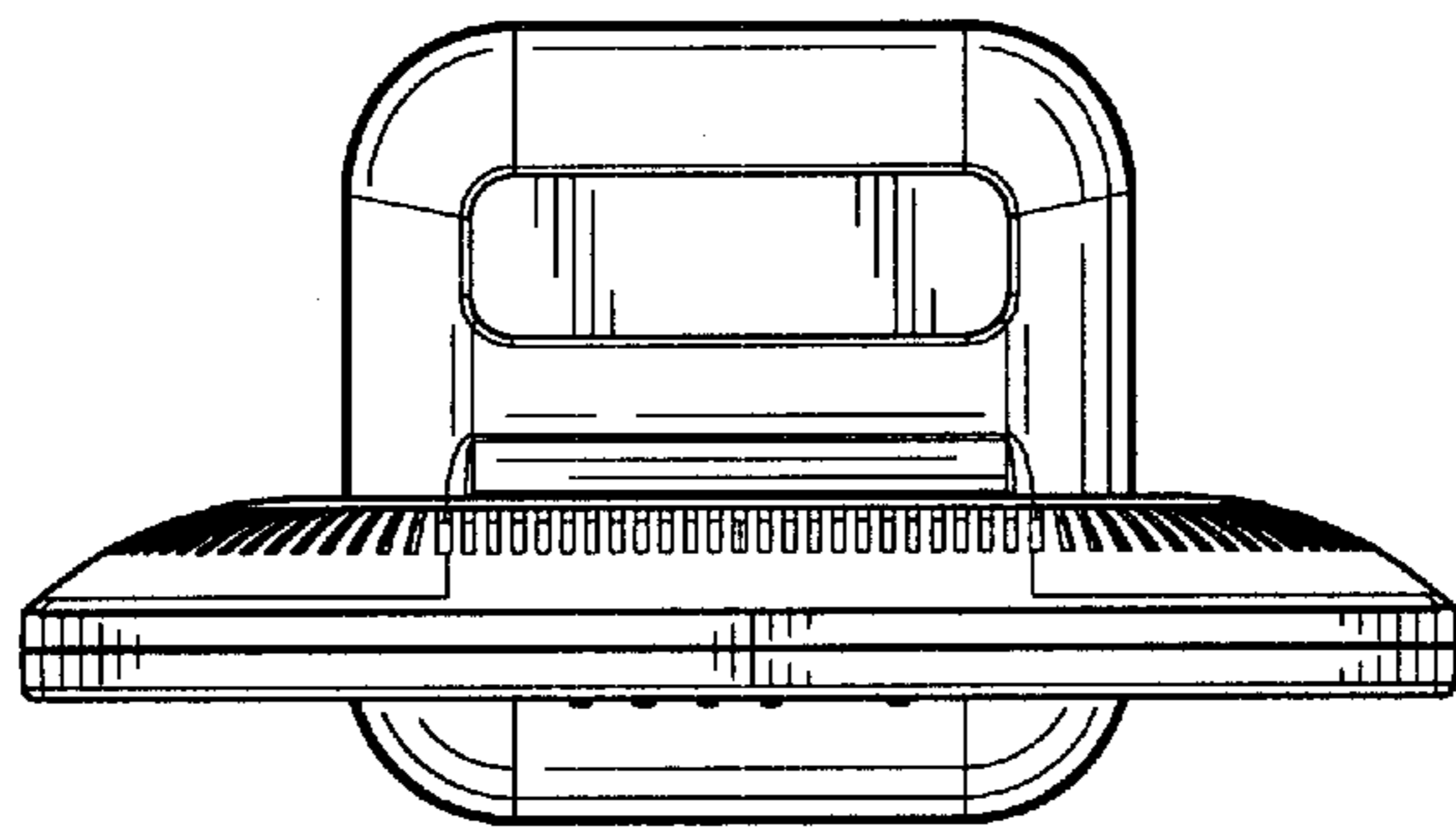


FIG. 6

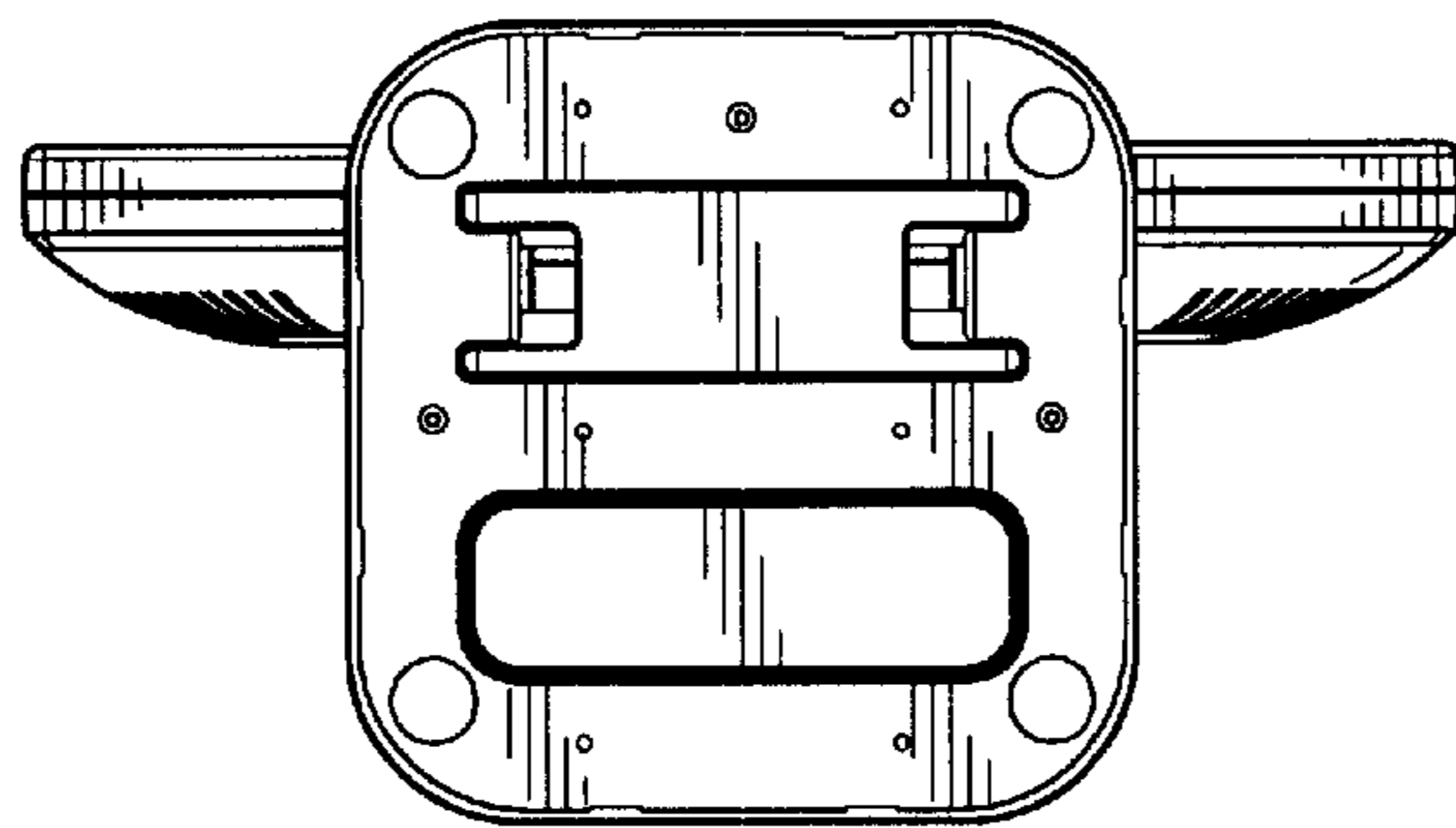


FIG. 7