



US00D468310S

(12) **United States Design Patent**
Tu

(10) **Patent No.:** **US D468,310 S**

(45) **Date of Patent:** **** Jan. 7, 2003**

(54) **LIQUID CRYSTAL DISPLAY MONITOR**

D430,874 S * 9/2000 Hsu D14/126
D448,769 S * 10/2001 Jung D14/374

(75) Inventor: **Simon Tu**, Taipei (TW)

* cited by examiner

(73) Assignee: **Topvision Display Technologies, Inc.**,
Taipei (TW)

Primary Examiner—Freda Nunn

(74) *Attorney, Agent, or Firm*—MacPherson Kwok Chen &
Heid LLP

(**) Term: **14 Years**

(57) **CLAIM**

(21) Appl. No.: **29/153,365**

The ornamental design for liquid crystal display monitor, as
shown and described.

(22) Filed: **Dec. 28, 2001**

DESCRIPTION

(51) **LOC (7) Cl.** **14-02**

(52) **U.S. Cl.** **D14/375**

(58) **Field of Search** D14/371, 374,
D14/375, 376, 379, 125-129; 345/104,
156, 168, 173; 348/180, 184, 325, 739;
248/917-924; 349/1, 2, 11, 62

FIG. 1 is a perspective view of liquid crystal display monitor
showing my new design;

FIG. 2 is a front elevational view thereof;

FIG. 3 is a rear elevational view thereof;

FIG. 4 is a left side elevational view thereof;

FIG. 5 is a right side elevational view thereof;

FIG. 6 is a top plan view thereof;

FIG. 7 is a bottom plan view thereof; and,

FIG. 8 is a rear perspective view.

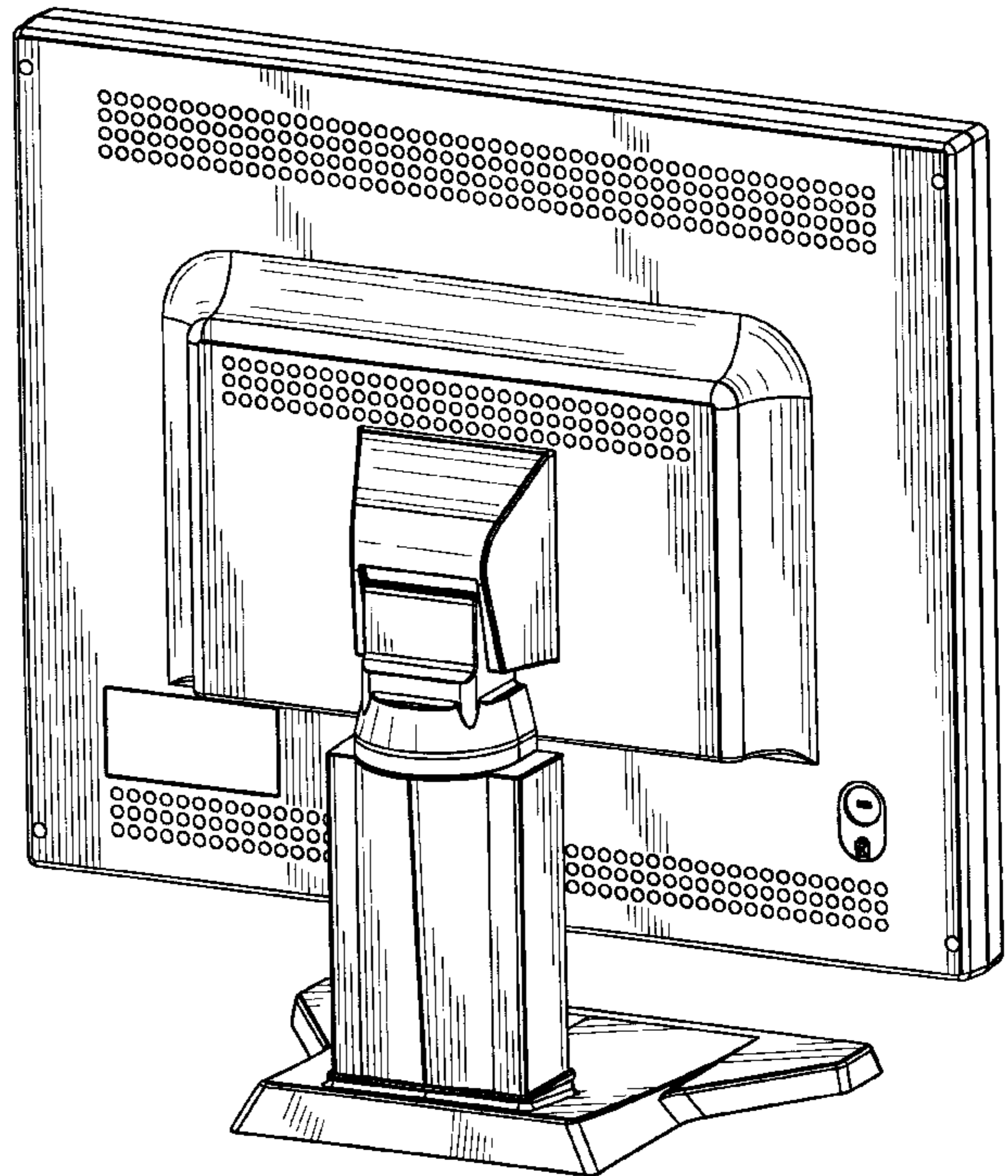
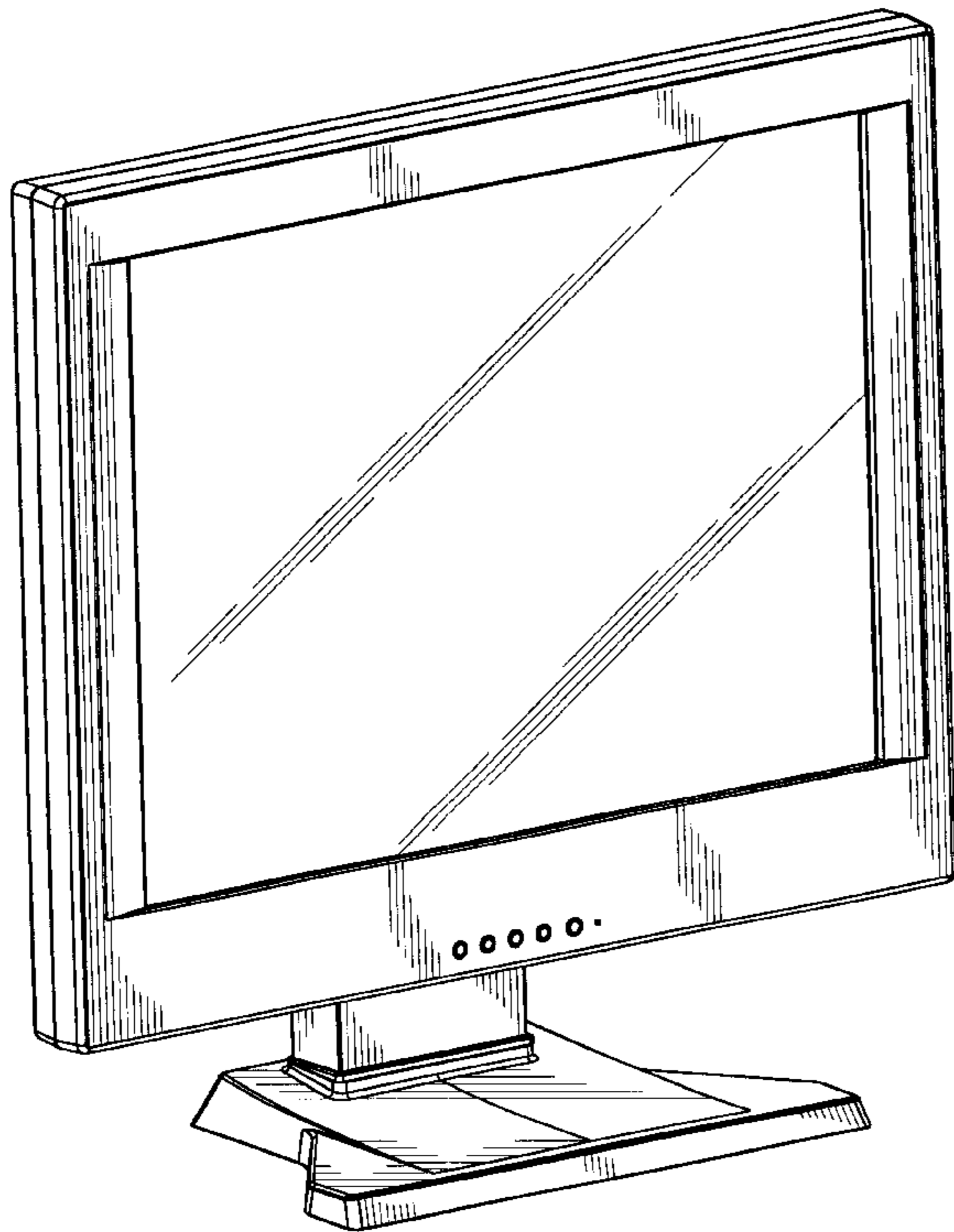
(56) **References Cited**

U.S. PATENT DOCUMENTS

D416,006 S * 11/1999 Park D14/126

D424,034 S * 5/2000 Li D14/126

1 Claim, 6 Drawing Sheets



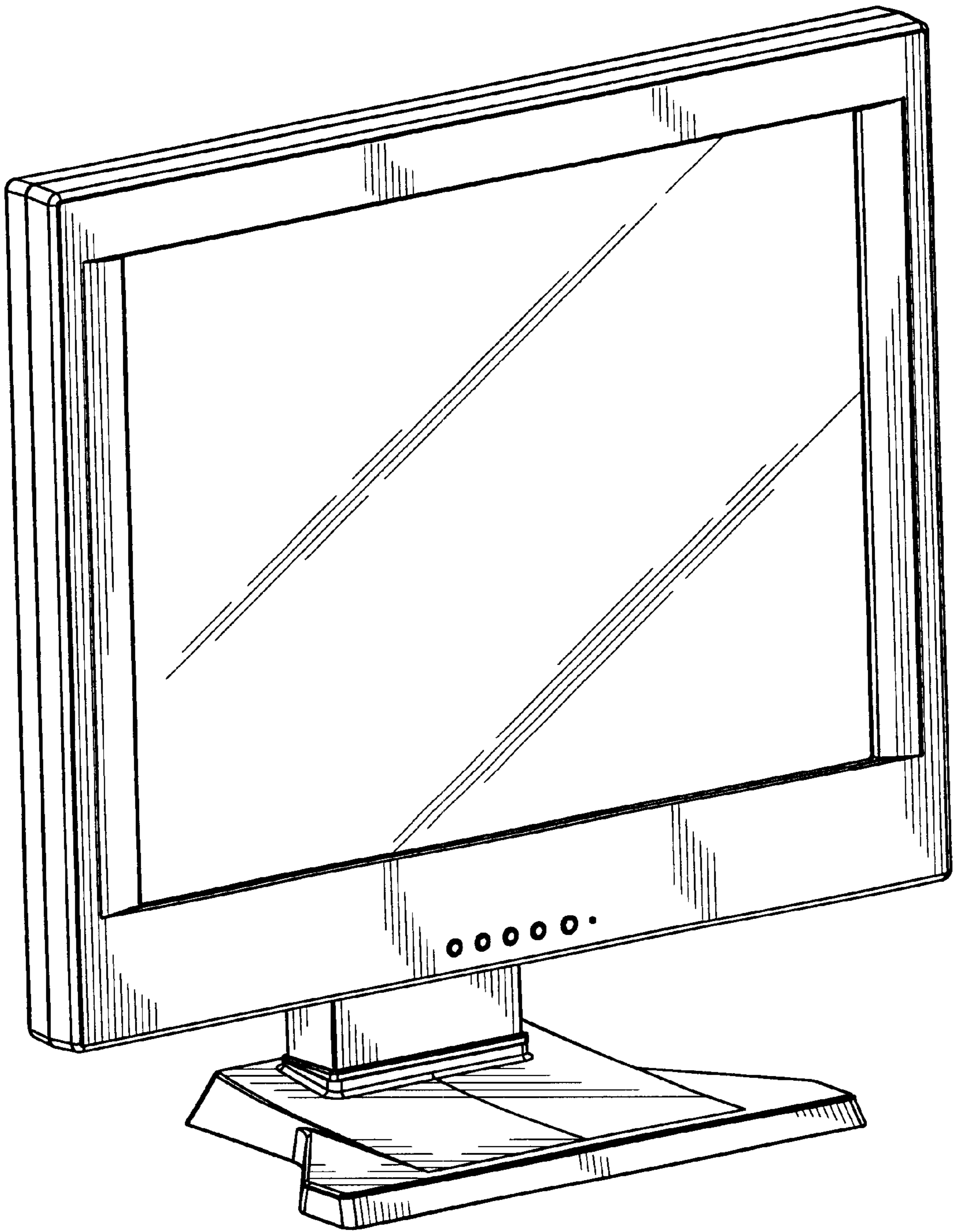


FIG. 1

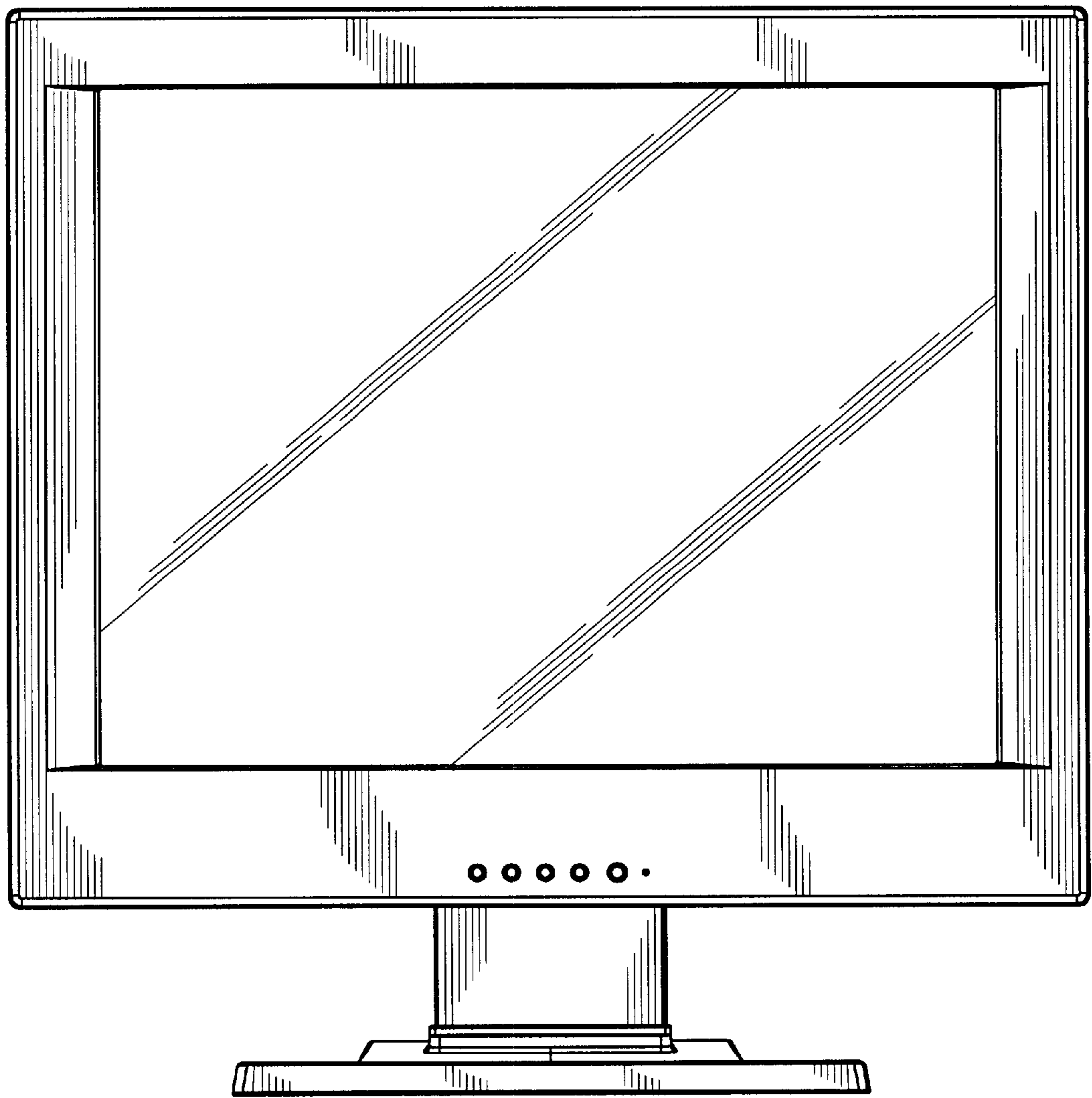


FIG. 2

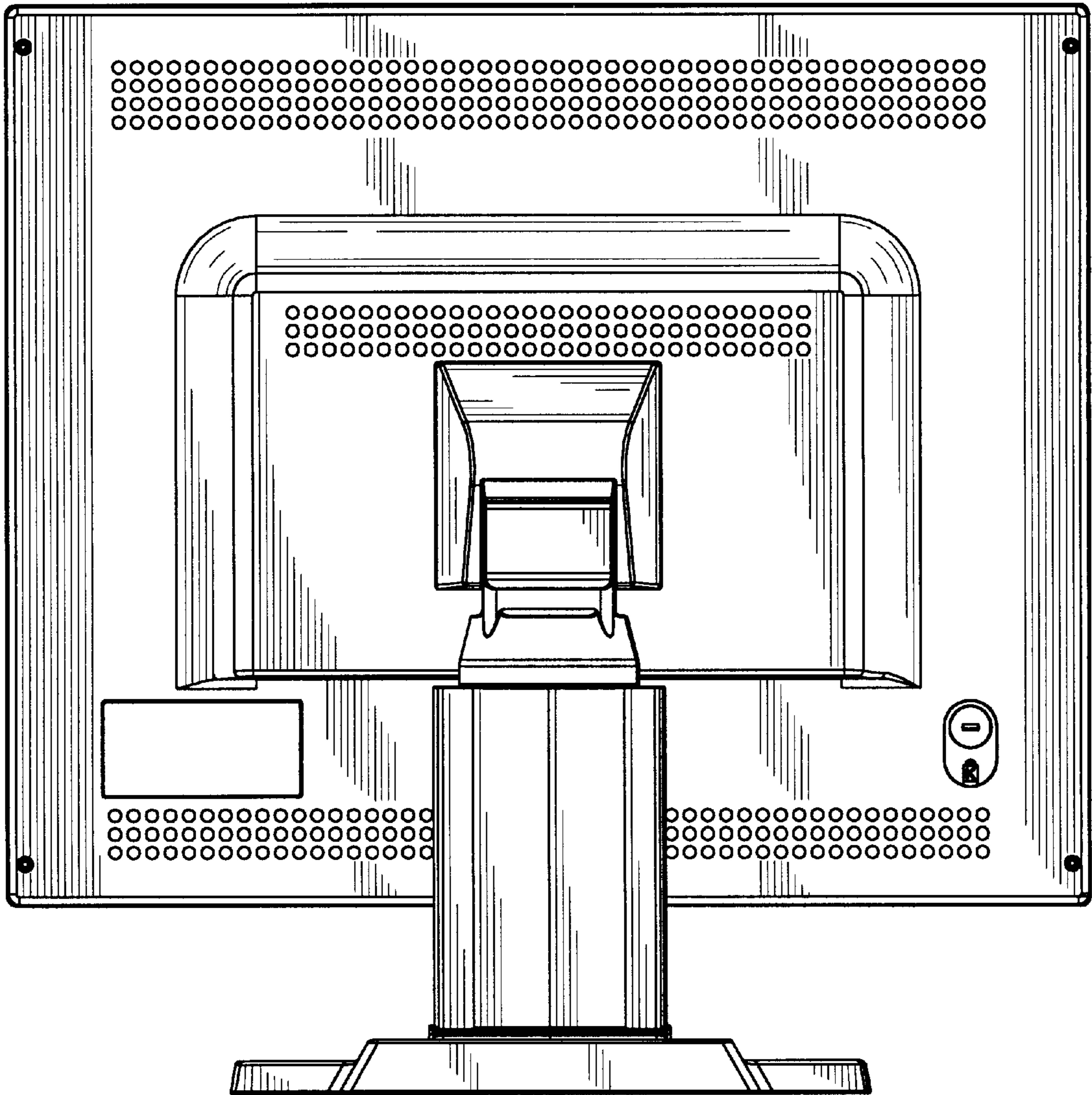


FIG. 3

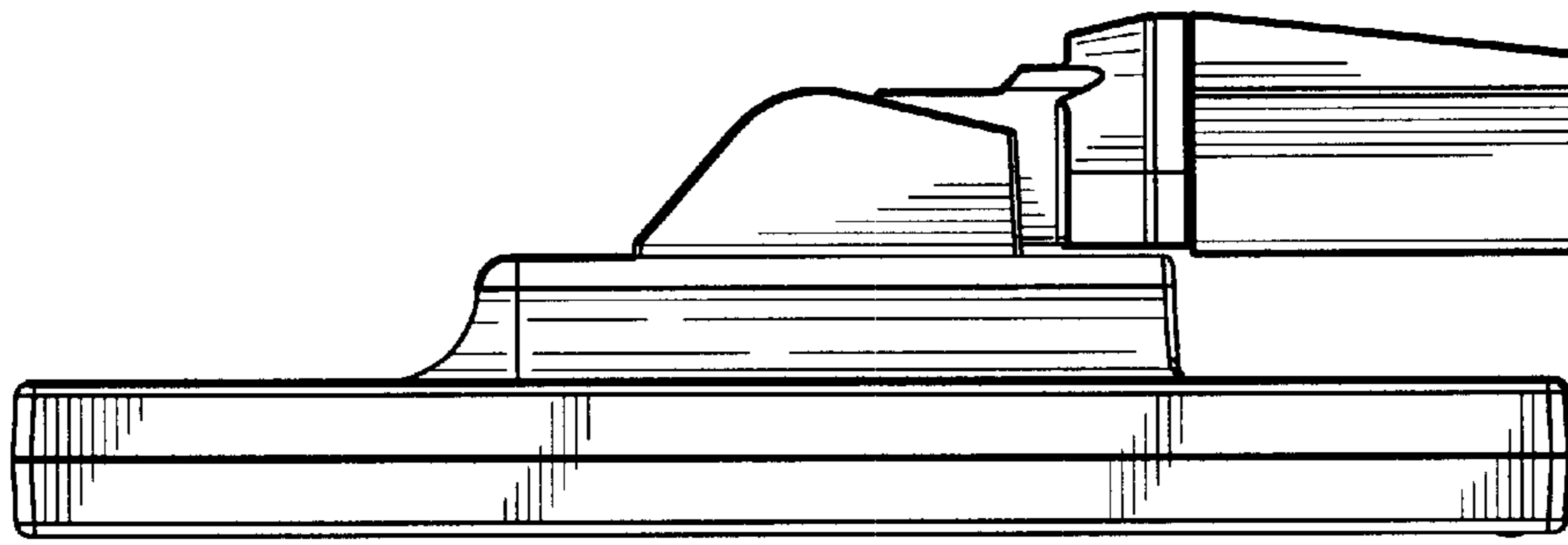


FIG. 5

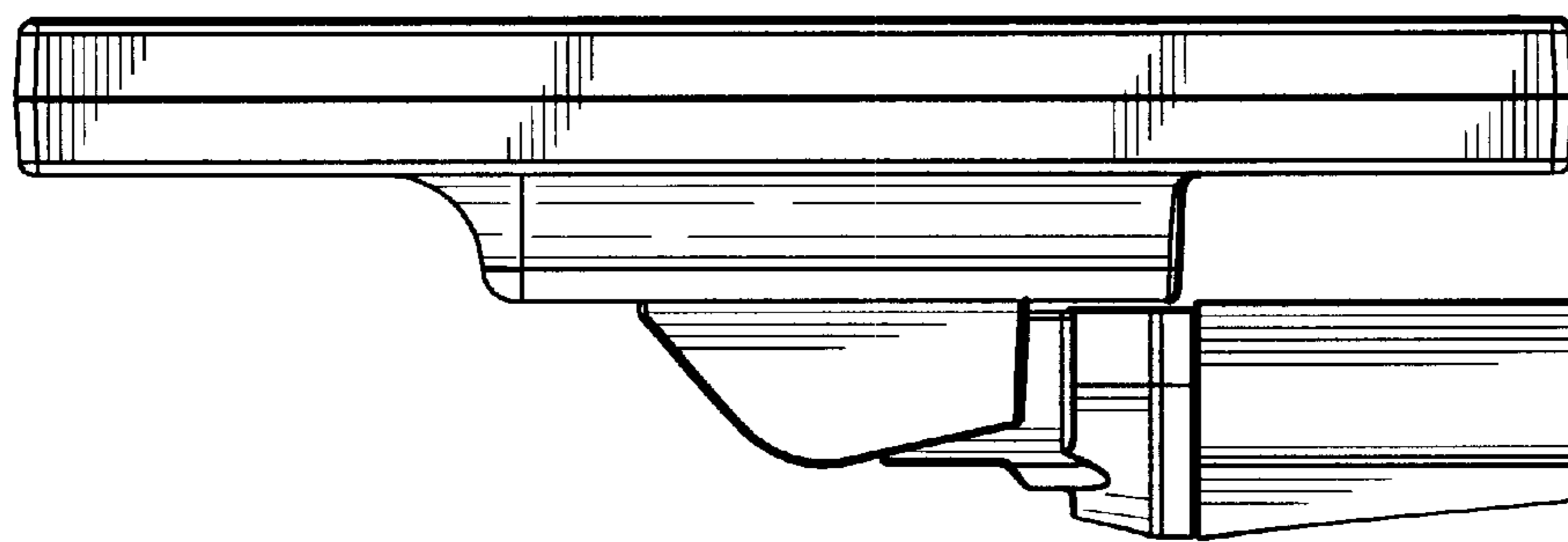
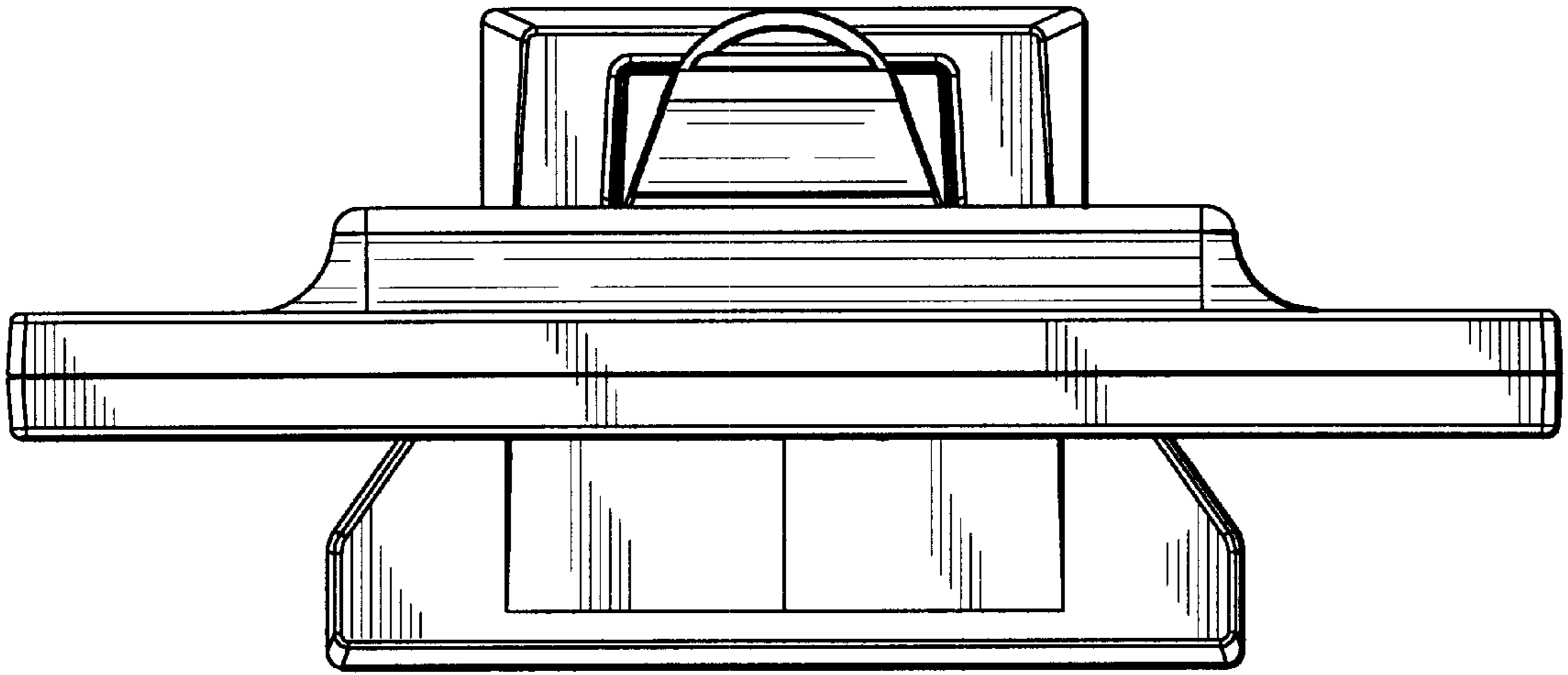
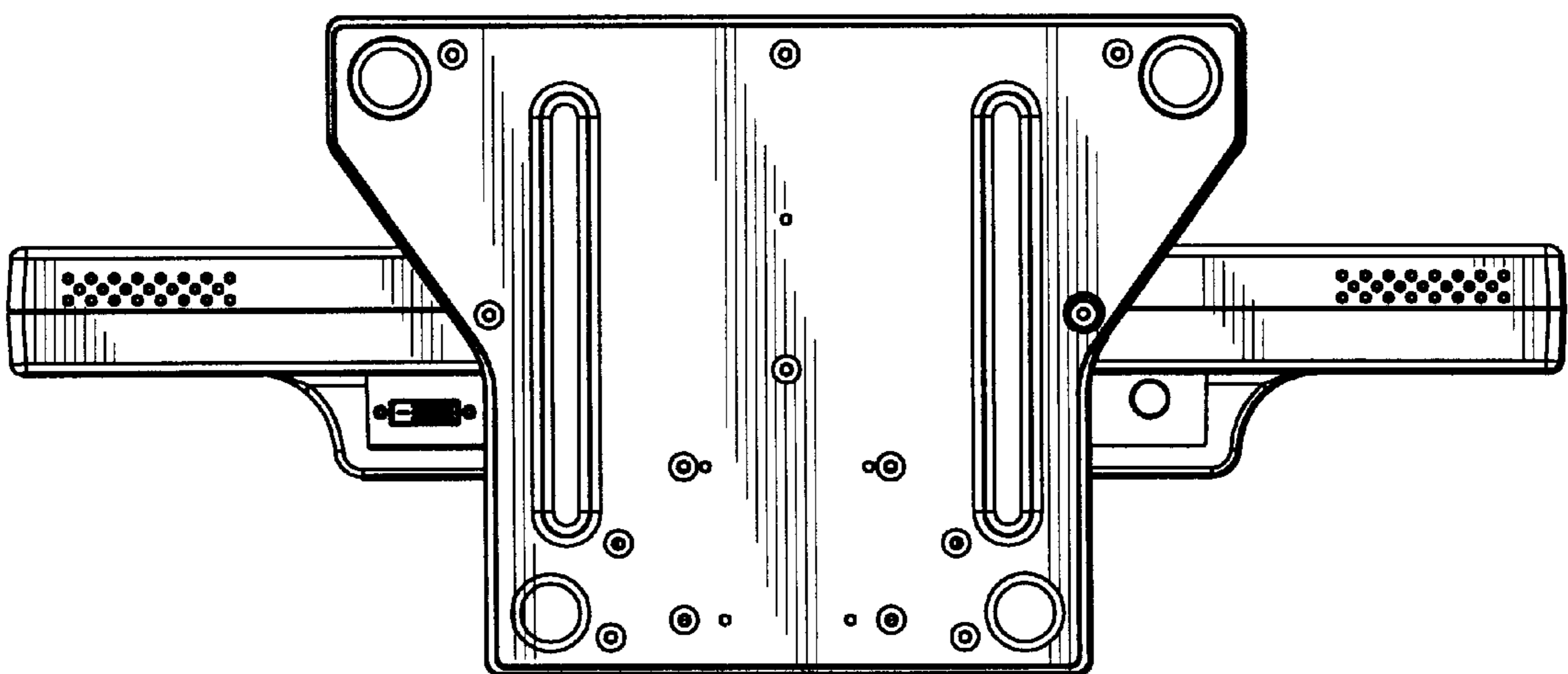


FIG. 4



F I G. 6



F I G. 7

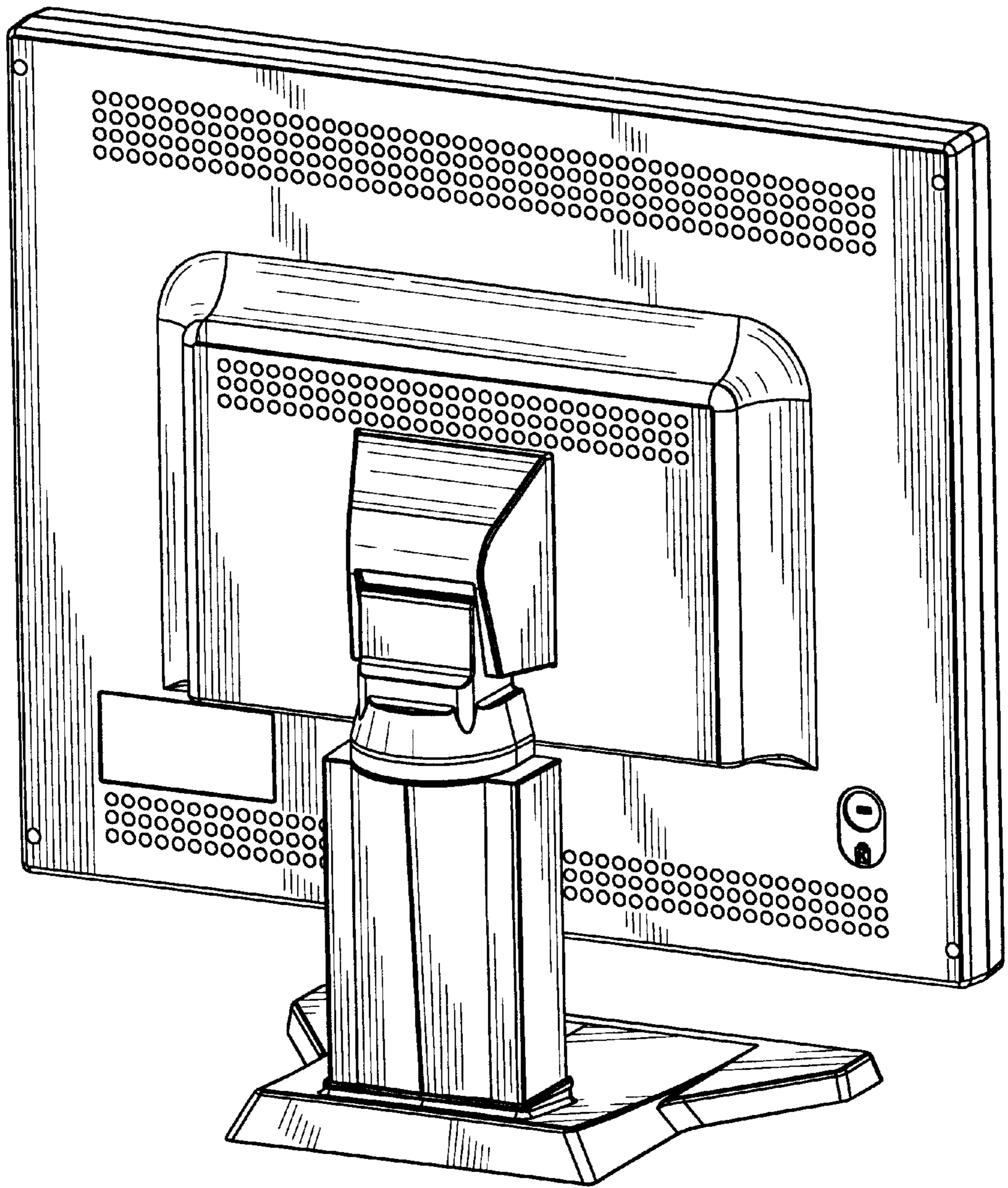


FIG. 8