



US00D468309S

(12) **United States Design Patent**
Goldenberg

(10) **Patent No.:** **US D468,309 S**

(45) **Date of Patent:** **** Jan. 7, 2003**

(54) **PORTABLE COMPUTER HARD DRIVE**

D448,375 S * 9/2001 Walters et al. D14/368

(75) Inventor: **Michael Goldenberg**, Naples, FL (US)

* cited by examiner

(73) Assignee: **Smartdisk Corporation**, Naples, FL (US)

Primary Examiner—Freda Nunn

(74) *Attorney, Agent, or Firm*—Akerman Senterfitt

(**) Term: **14 Years**

(57) **CLAIM**

The ornamental design for a portable computer hard drive, as shown and described.

(21) Appl. No.: **29/152,119**

(22) Filed: **Dec. 13, 2001**

DESCRIPTION

(51) **LOC (7) Cl.** **14-02**

FIG. 1 is a top perspective view taken from the front right of an embodiment of the article of manufacture according to the subject of the invention.

(52) **U.S. Cl.** **D14/368**

FIG. 2 is a bottom perspective view taken from the rear left of the embodiment of the article of manufacture according to FIG. 1.

(58) **Field of Search** D14/361–363,
D14/367, 368, 356; D13/162, 184, 199;
312/223.1–223.3; 360/99.01–99.12; 361/690–696;
369/34.01, 36.01

FIG. 3 is a rear view thereof.

FIG. 4 is a top plan view thereof.

FIG. 5 is a front view thereof.

FIG. 6 is a right side elevation view thereof.

FIG. 7 is a bottom plan view thereof; and,

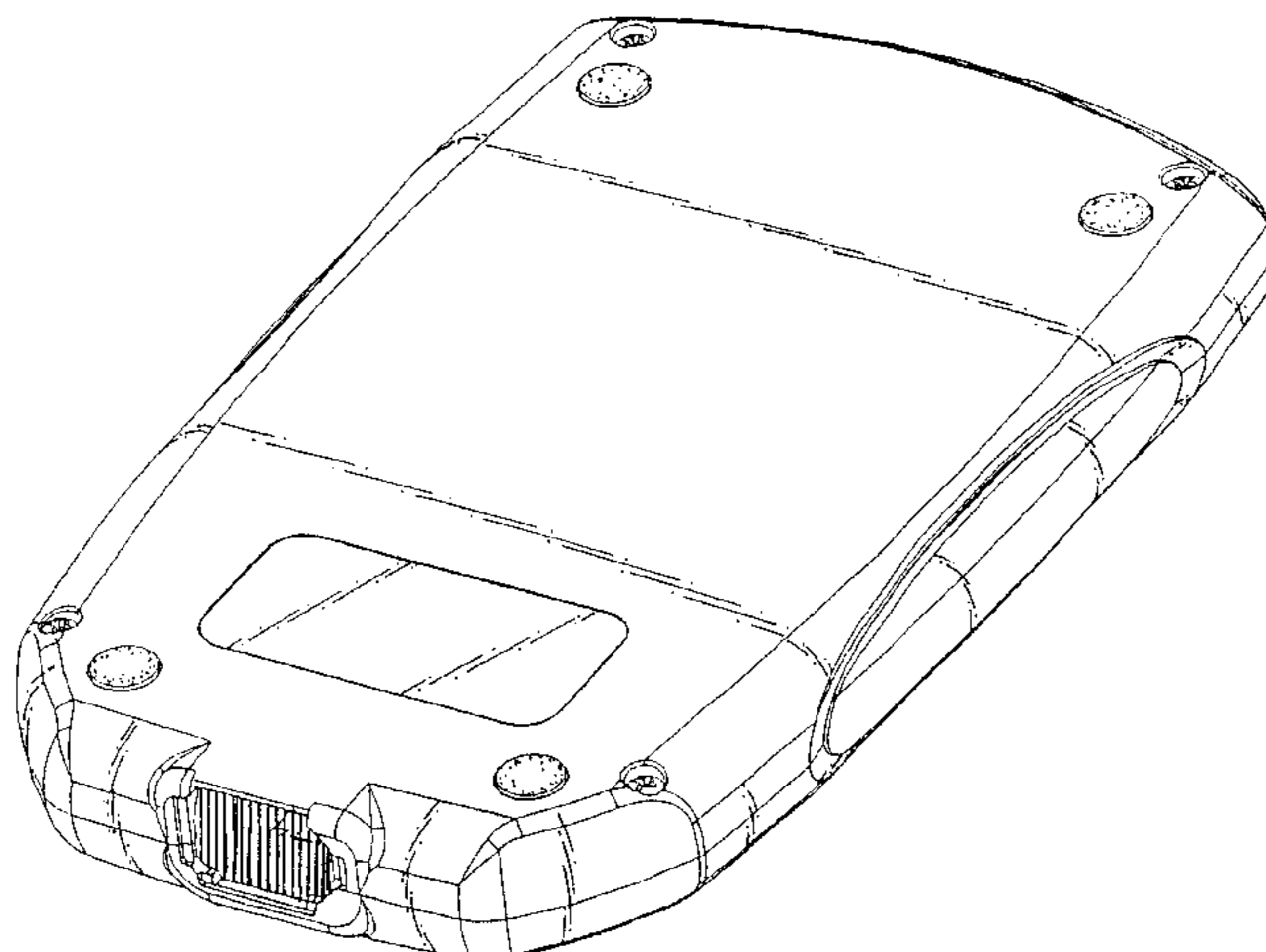
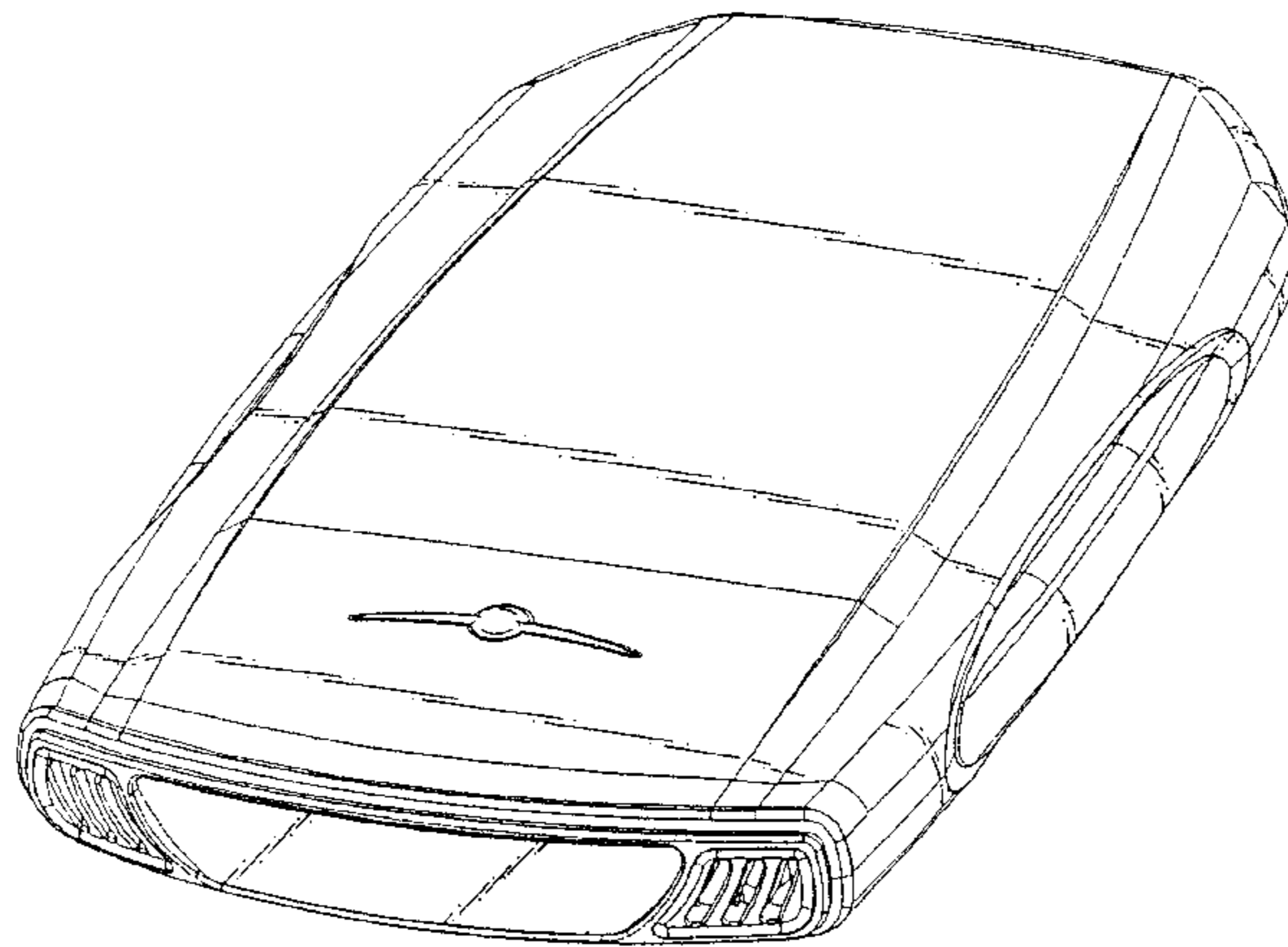
FIG. 8 is a left side elevation view thereof.

(56) **References Cited**

U.S. PATENT DOCUMENTS

D358,138 S	*	5/1995	Koyanagi et al.	D14/368
D359,852 S	*	7/1995	Wicks	D14/368
D422,574 S	*	4/2000	Fujii et al.	D14/368
D436,959 S	*	1/2001	Reynolds et al.	D14/368

1 Claim, 3 Drawing Sheets



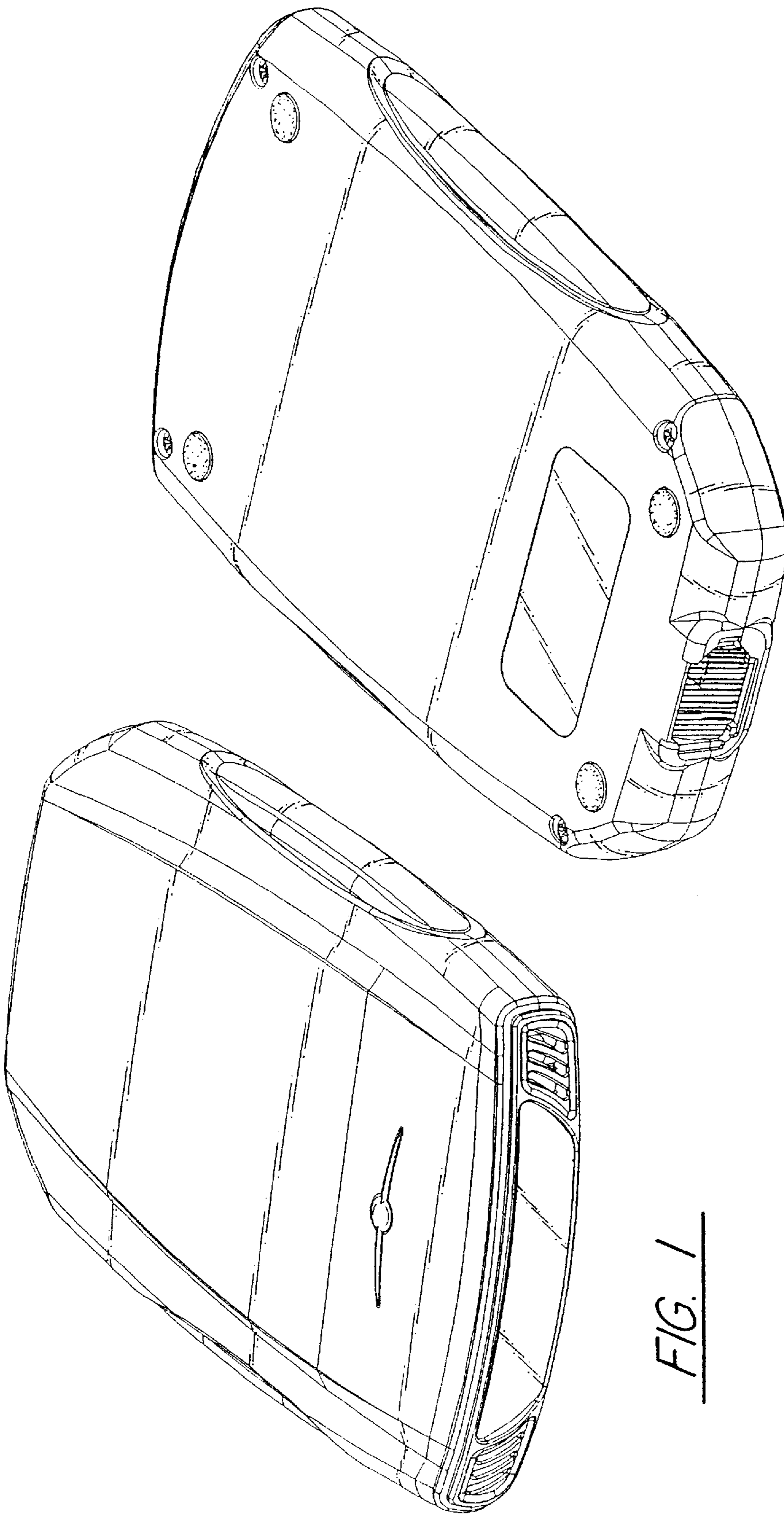


FIG. 1

FIG. 2

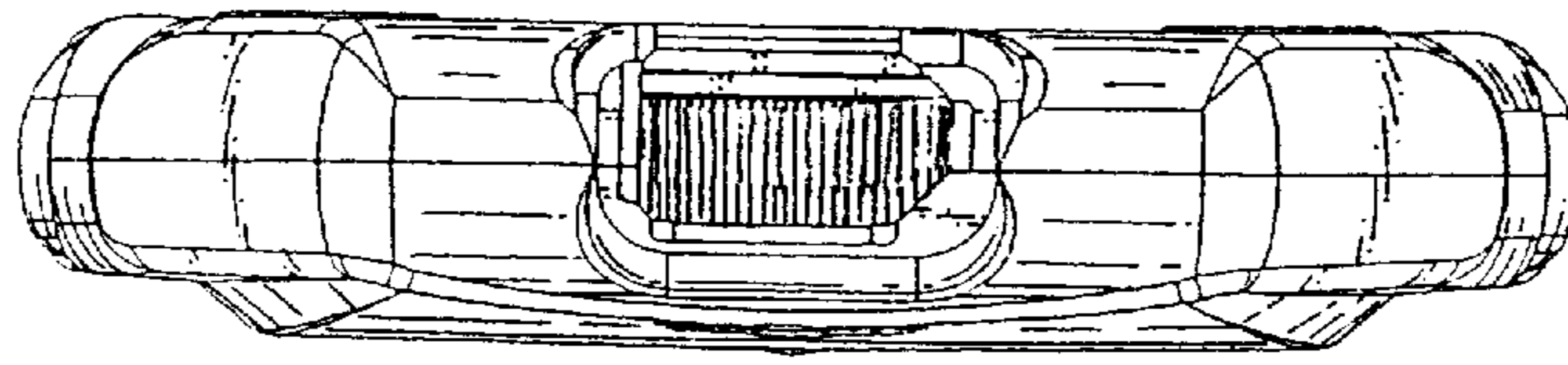


FIG. 3

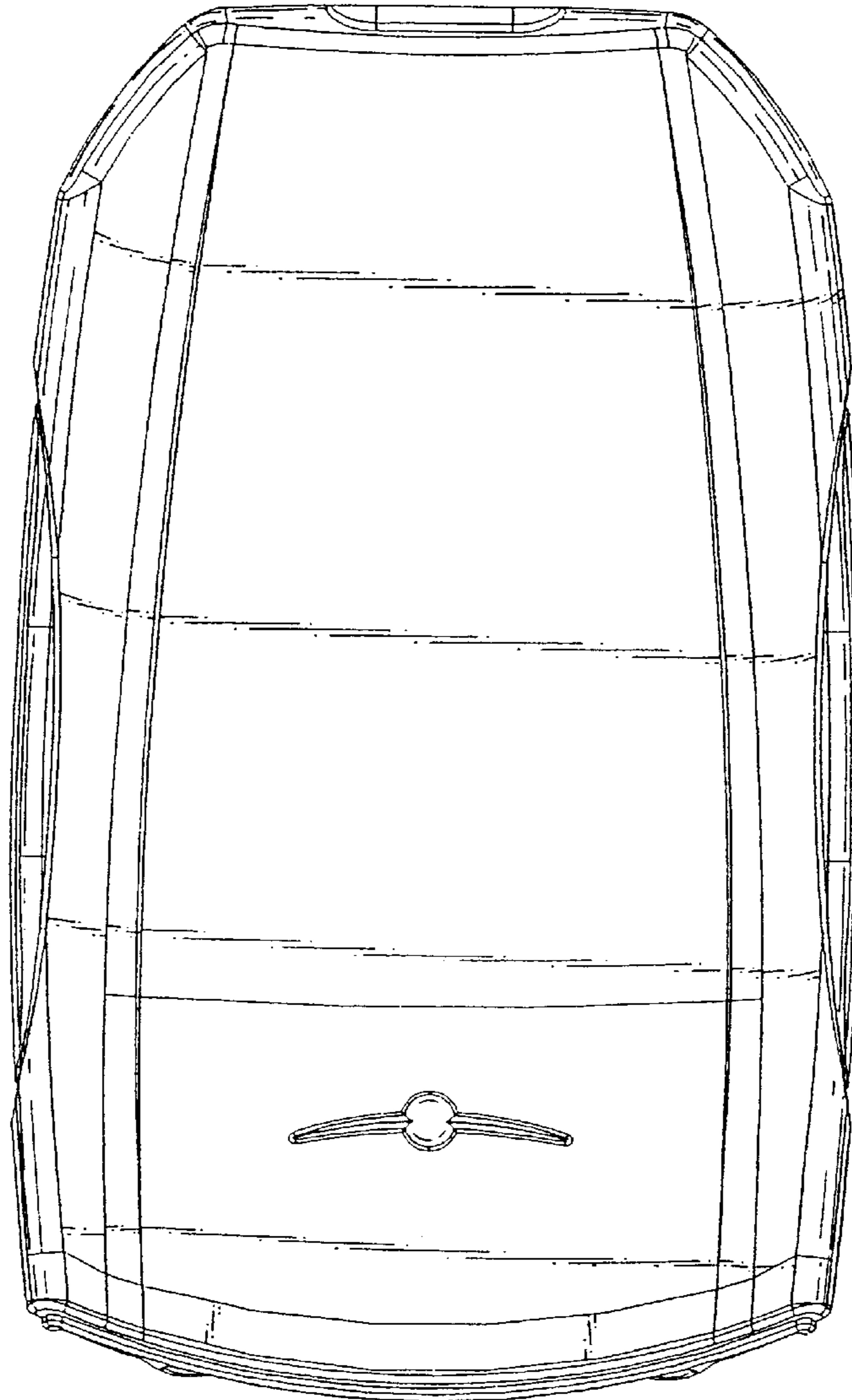


FIG. 4

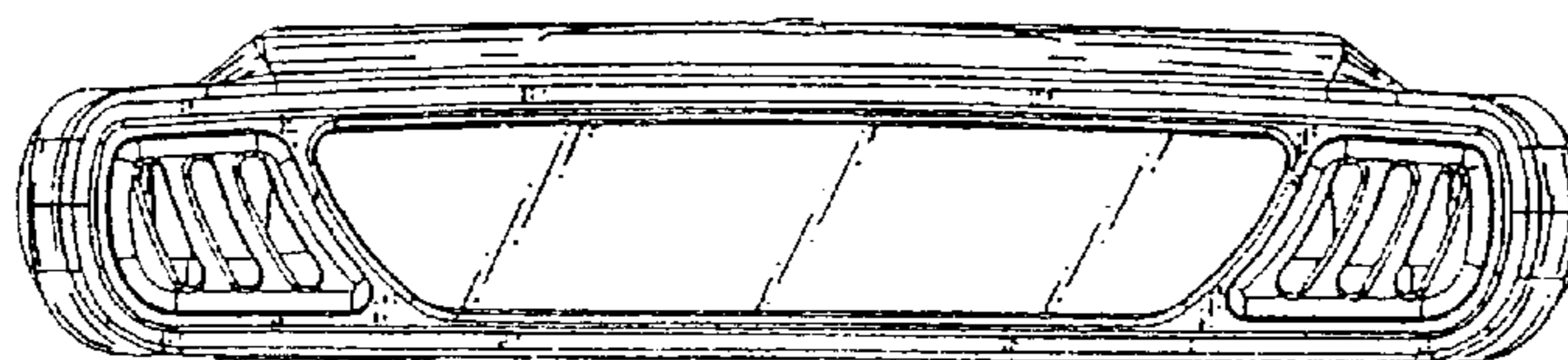


FIG. 5

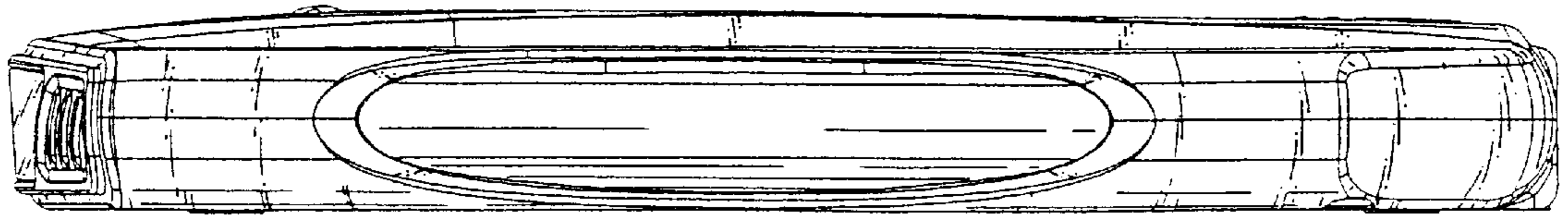


FIG. 6

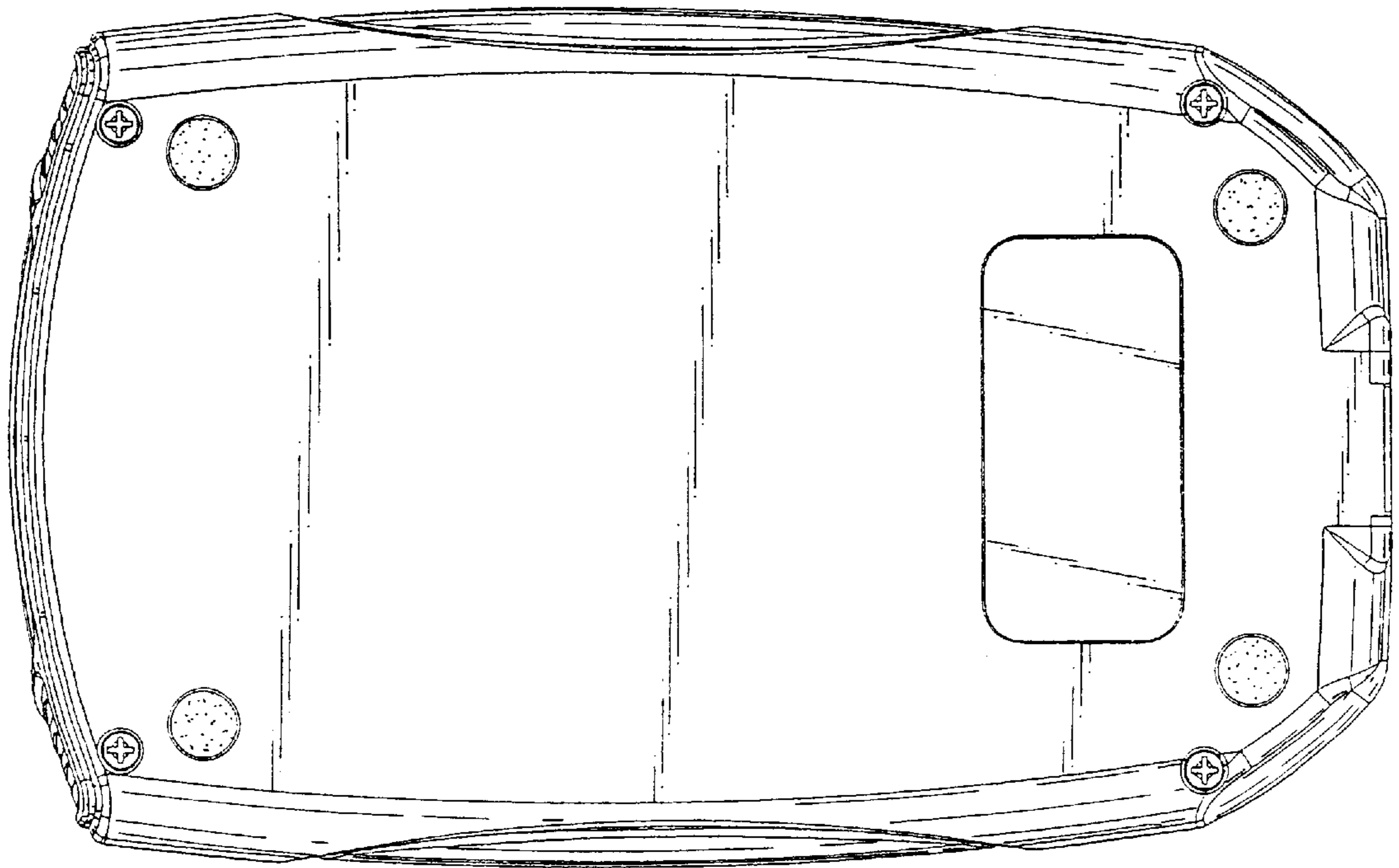


FIG. 7

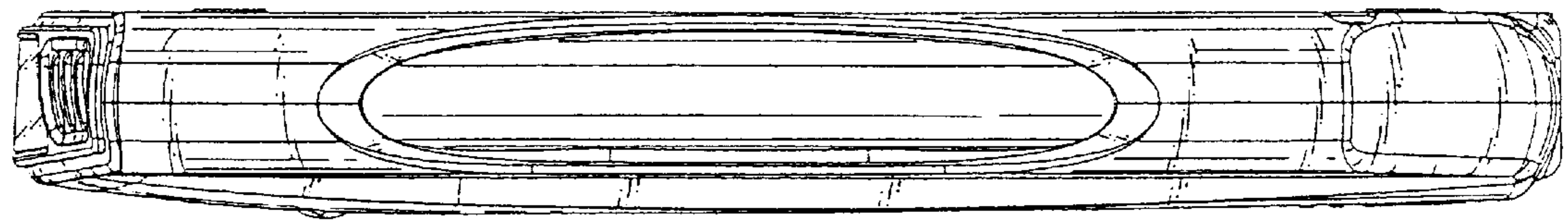


FIG. 8