



US00D468306S

(12) **United States Design Patent**
Tsai

(10) **Patent No.:** **US D468,306 S**

(45) **Date of Patent:** **** Jan. 7, 2003**

(54) **DESKTOP COMPUTER WITH SEPARABLE COMPONENTS**

D381,651 S * 7/1997 Banik et al. D14/129
D432,533 S * 10/2000 Jin D14/336
D434,760 S * 12/2000 Wang D14/337

(75) Inventor: **Yao-Hsing Tsai**, Taipei (TW)

* cited by examiner

(73) Assignee: **Pro Arch Technology Inc.**, Tainan (TW)

Primary Examiner—Freda Nunn
(74) *Attorney, Agent, or Firm*—Darby & Darby

(**) Term: **14 Years**

(57) **CLAIM**

(21) Appl. No.: **29/142,412**

The ornamental design for a desktop computer with separable components, as shown and described.

(22) Filed: **May 24, 2001**

DESCRIPTION

(51) **LOC (7) Cl.** **14-02**

(52) **U.S. Cl.** **D14/337**

(58) **Field of Search** D14/336, 337,
D14/334, 335, 317, 125-129; 345/104,
156, 168, 173, 87; 348/180, 184, 325, 739;
341/12; 248/917-924; 349/1, 2, 11, 62

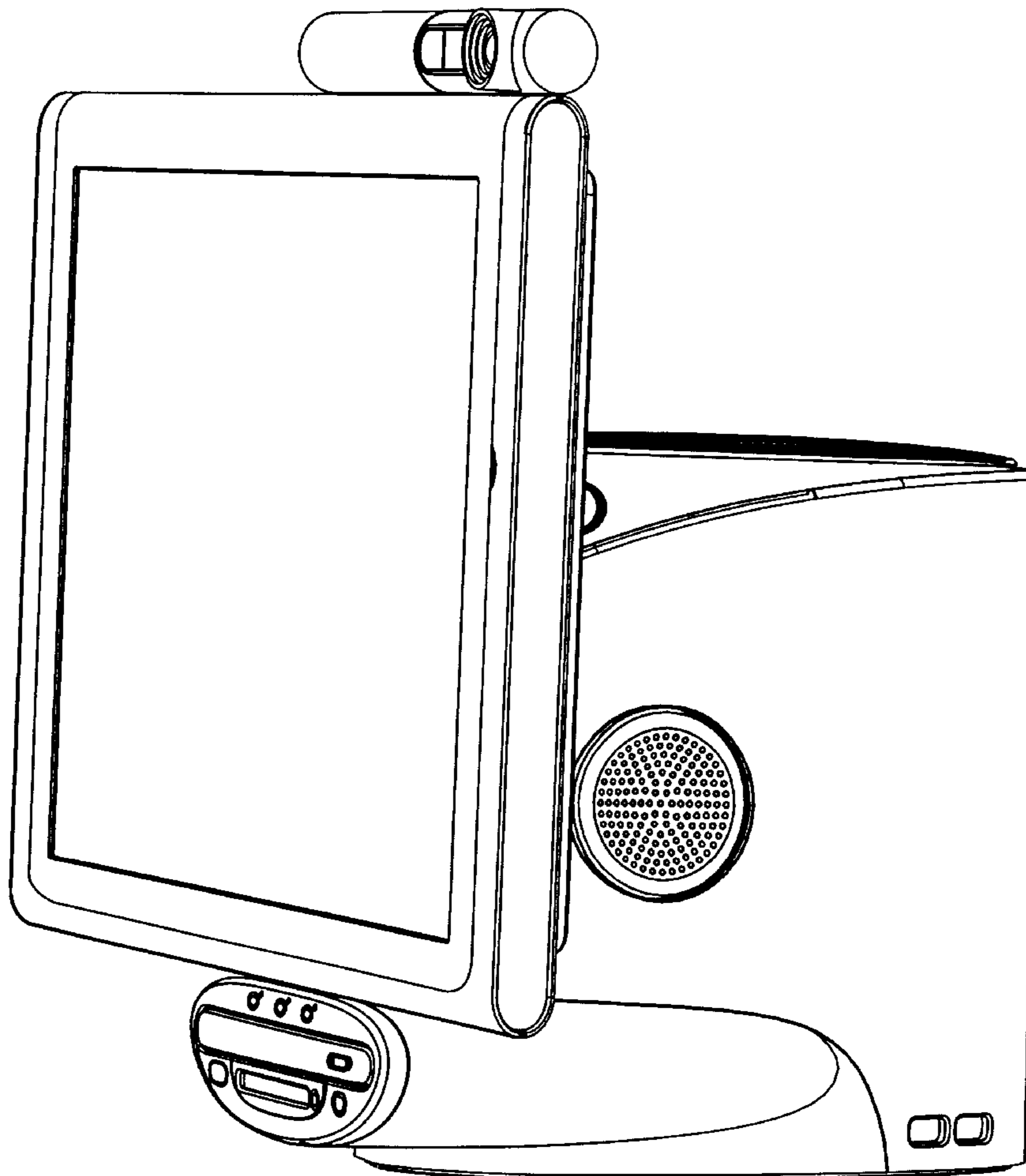
FIG. 1 is a perspective view thereof;
FIG. 2 is a right side elevational view thereof;
FIG. 3 is a top plan view thereof; and
FIG. 4 is a front elevational view thereof;
FIG. 5 is a bottom plan view thereof;
FIG. 6 is a left side elevational view thereof; and,
FIG. 7 is a rear elevational view thereof.

(56) **References Cited**

U.S. PATENT DOCUMENTS

D369,790 S * 5/1996 Kim D14/379

1 Claim, 7 Drawing Sheets



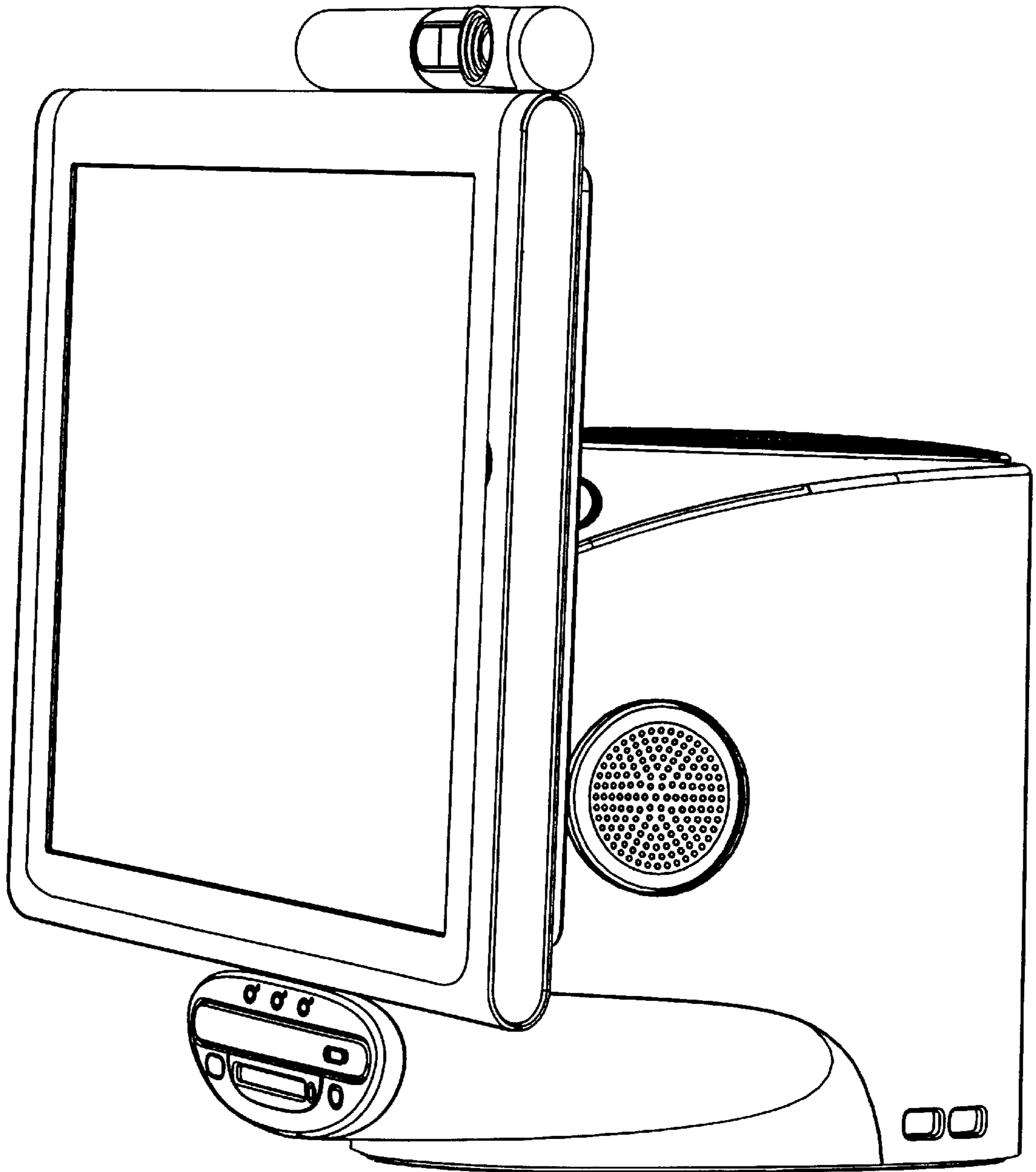


FIG. 1

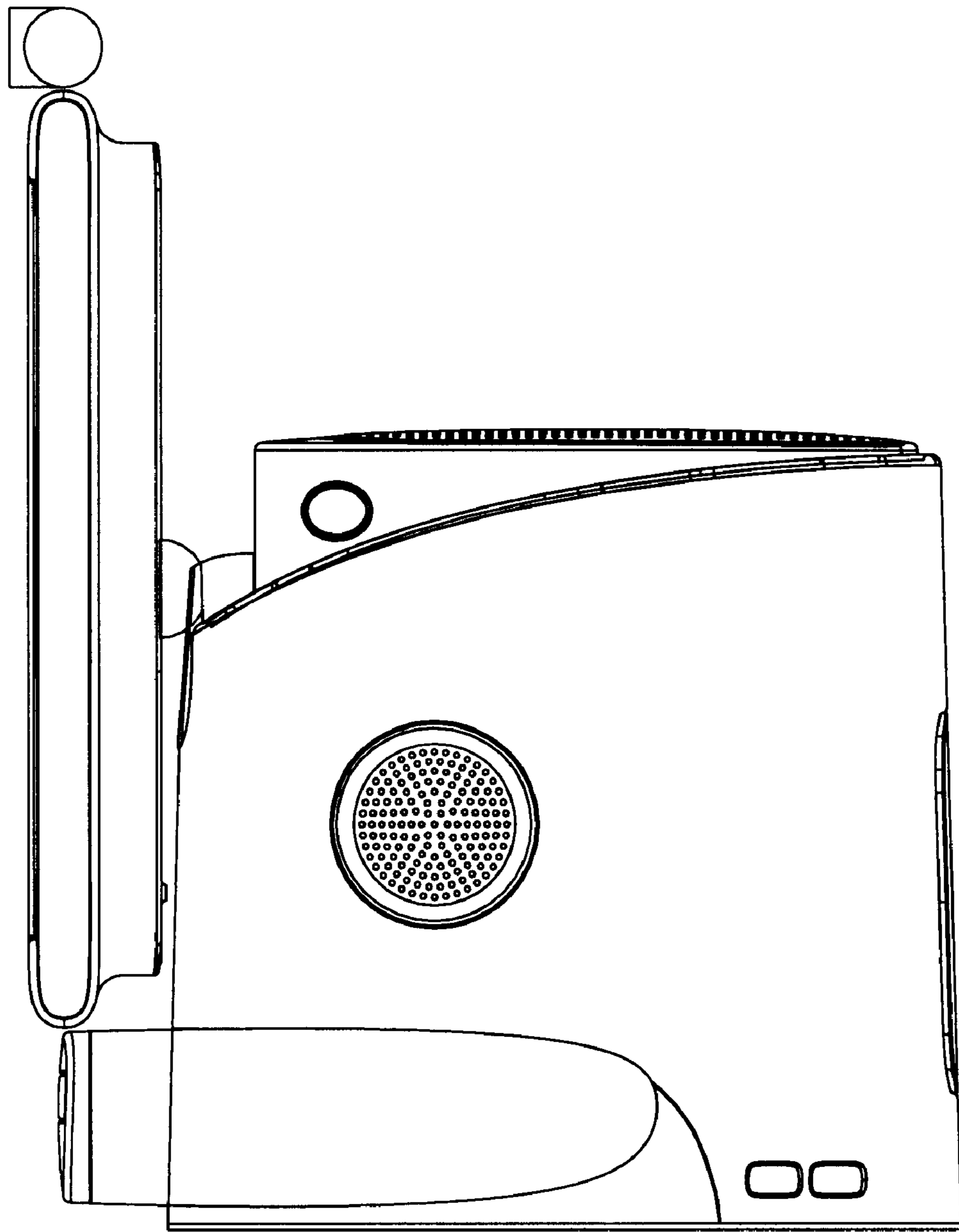


FIG. 2

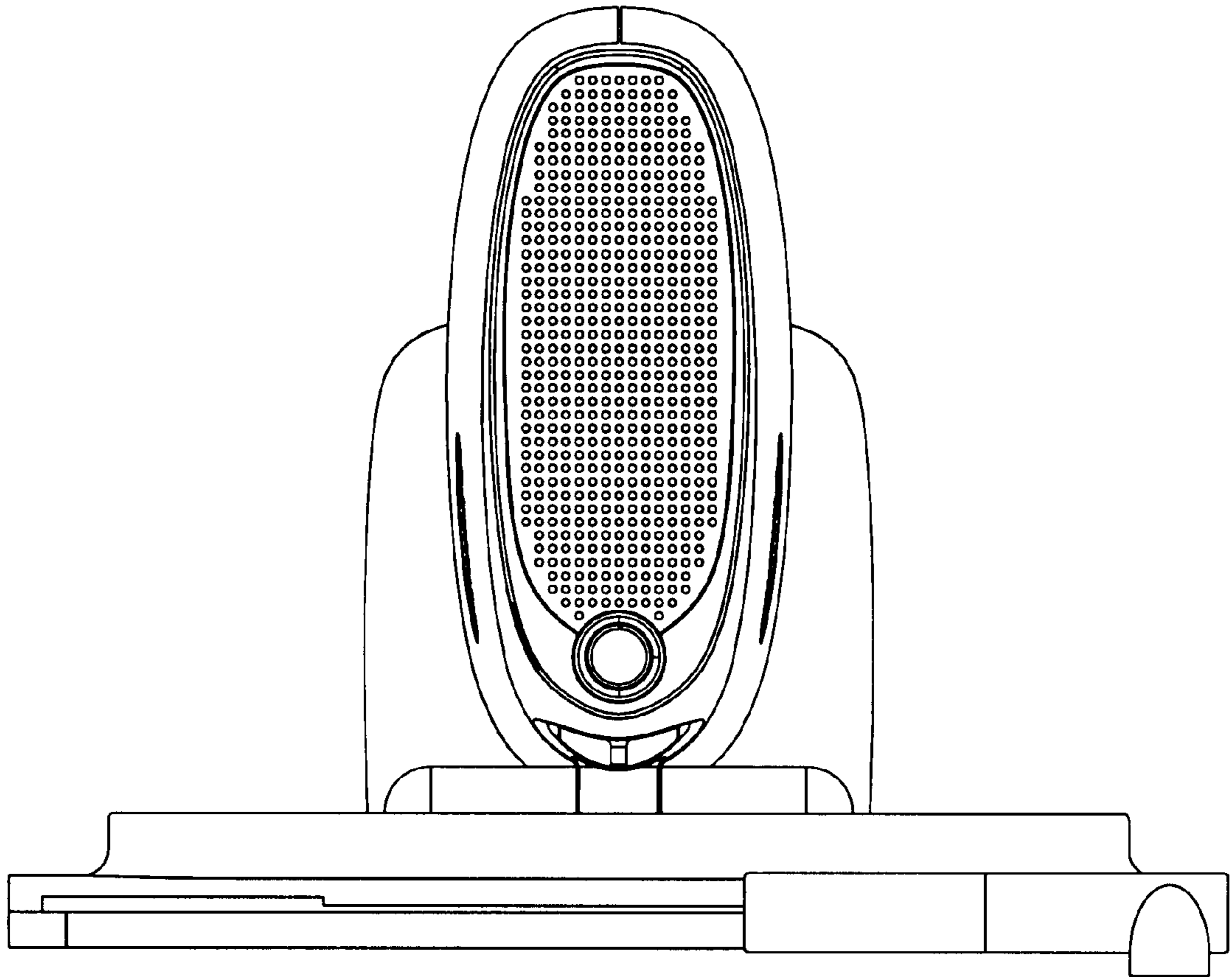


FIG. 3

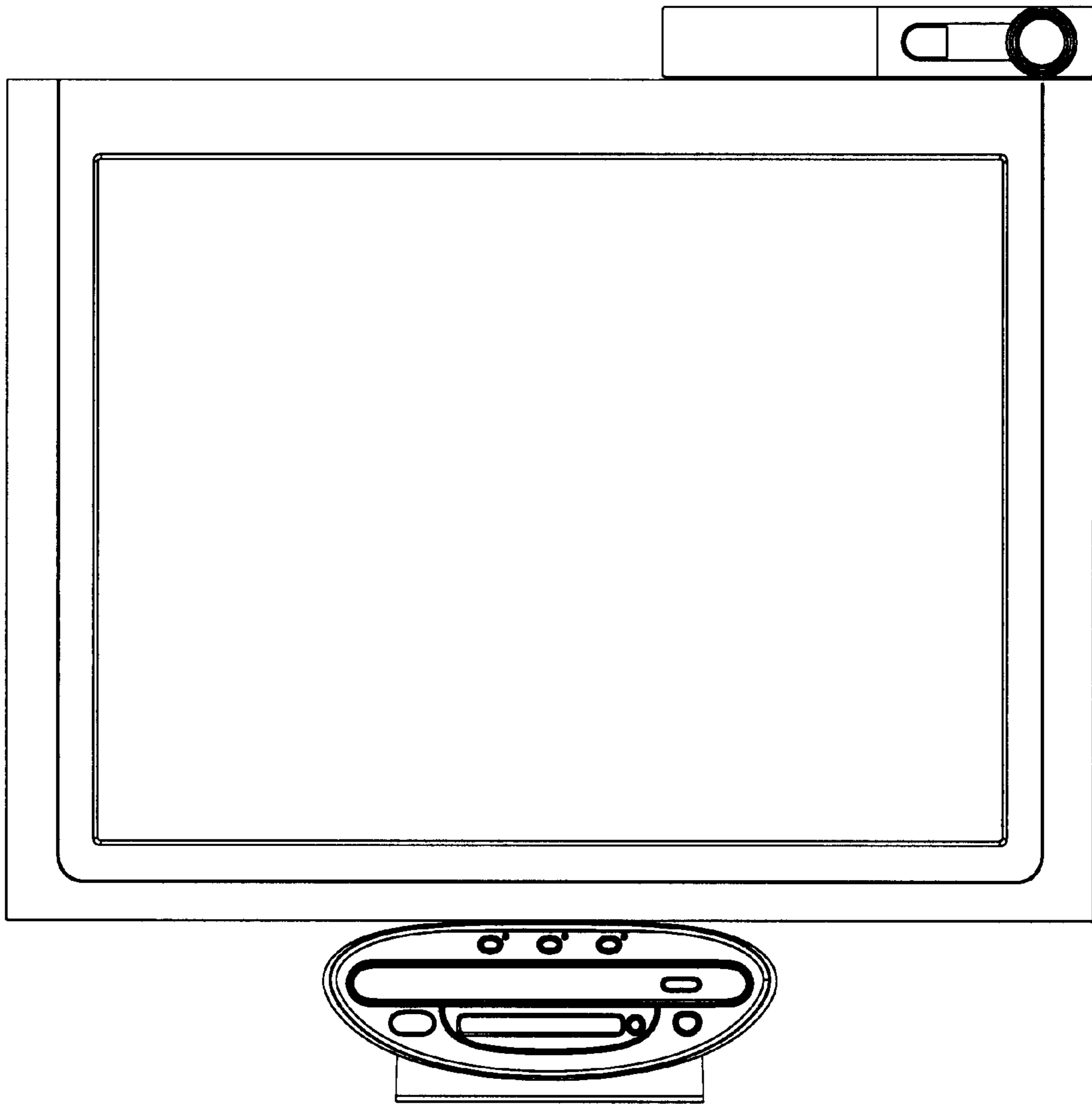


FIG. 4

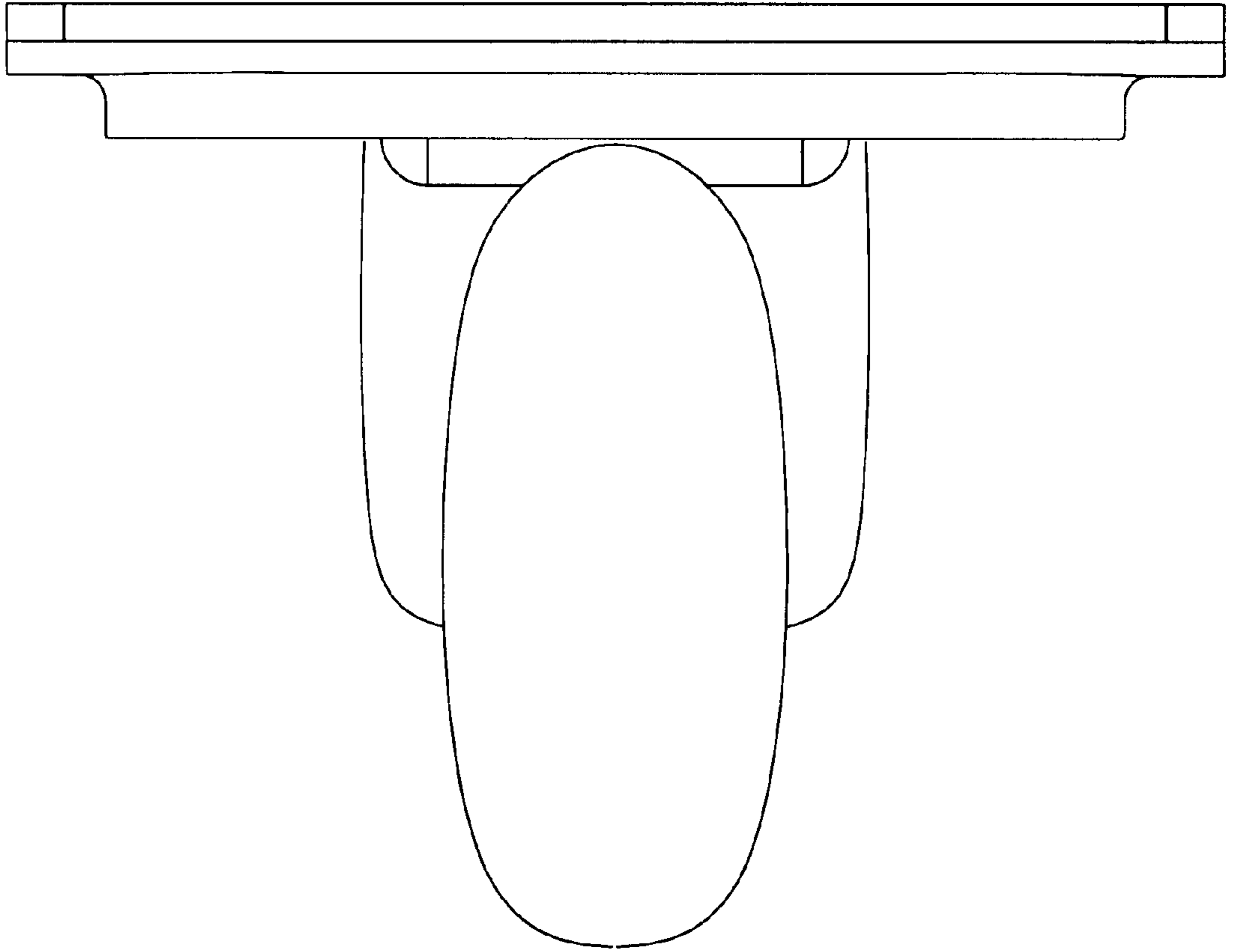


FIG. 5

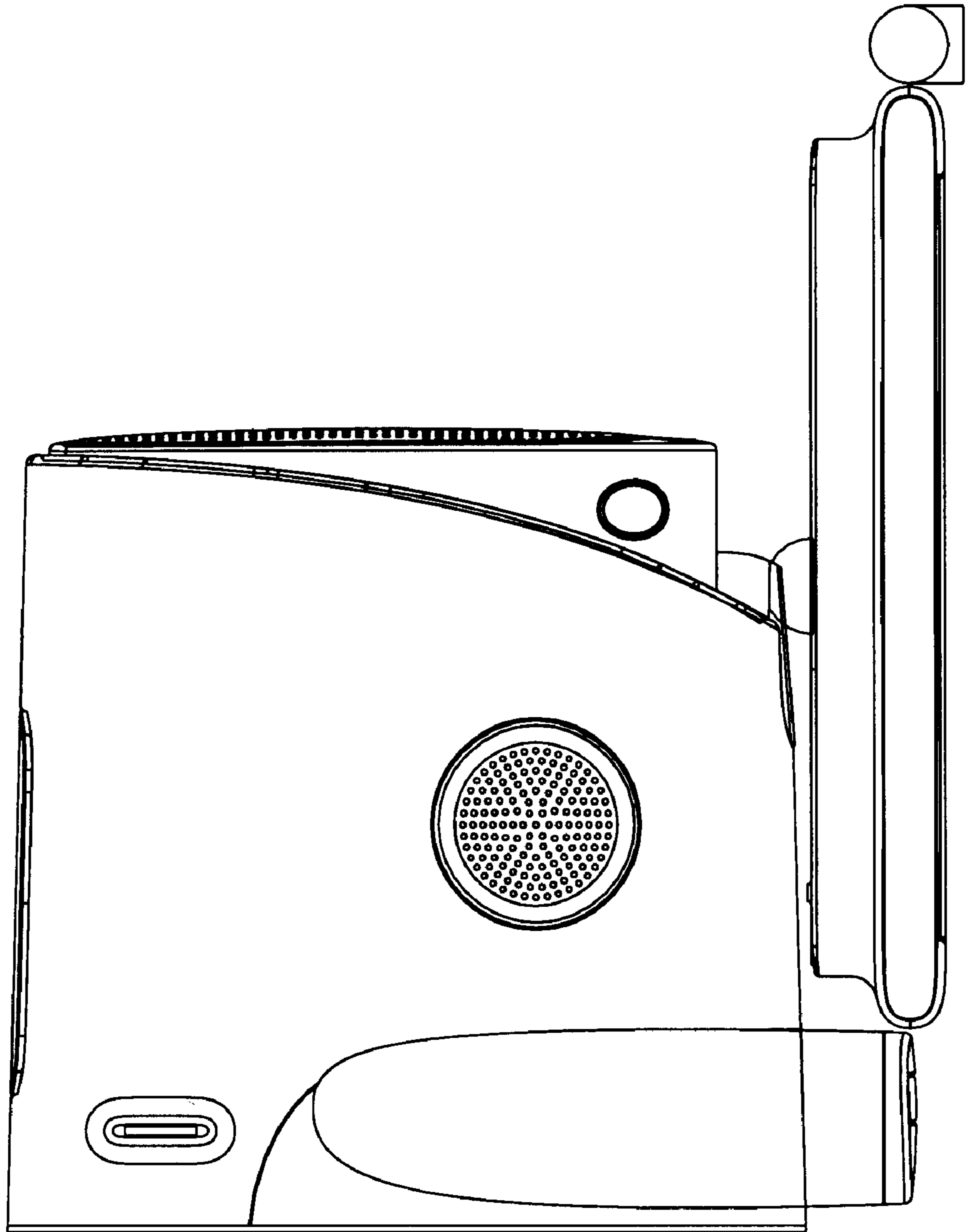


FIG. 6

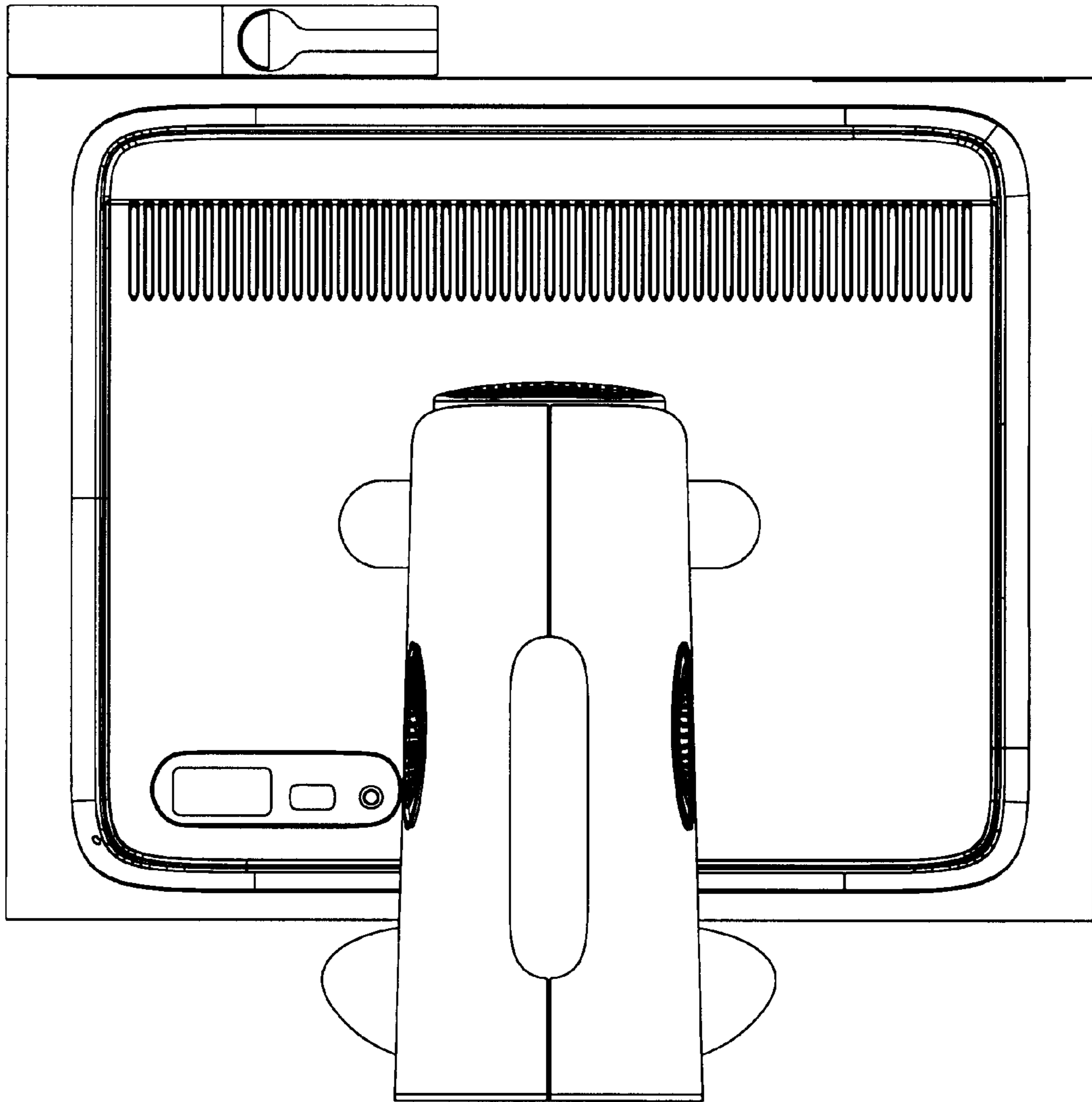


FIG. 7