



US00D468303S

(12) **United States Design Patent**  
**Ylinen et al.**

(10) **Patent No.:** **US D468,303 S**

(45) **Date of Patent:** **\*\* Jan. 7, 2003**

(54) **VIRTUAL PRIVATE NETWORK (VPN)**  
(75) Inventors: **Kalervo Ylinen, Helsinki (FI); Petri Laitinen, Helsinki (FI); Jorma Savolainen, Helsinki (FI)**  
(73) Assignee: **SSH Communications Security Corp., Helsinki (FI)**  
(\*\*) Term: **14 Years**

D415,129 S \* 10/1999 Wu ..... D14/353  
D417,223 S \* 11/1999 Groves et al. .... D14/242  
D417,864 S \* 12/1999 Holtzman et al. .... D14/351  
D431,243 S \* 9/2000 Oba ..... D14/351  
D431,557 S \* 10/2000 Lutz, Jr. et al. .... D14/242  
D431,822 S \* 10/2000 Armstrong et al. .... D14/349  
D432,125 S \* 10/2000 Masuda et al. .... D14/349  
D437,860 S \* 2/2001 Suzuki et al. .... D14/496  
6,233,142 B1 \* 5/2001 Kerrigan et al. .... 361/685  
D445,790 S \* 7/2001 Costello et al. .... D14/363  
6,259,598 B1 \* 7/2001 Beaman et al. .... 361/683  
D447,139 S \* 8/2001 Mache et al. .... D14/351

(21) Appl. No.: **29/147,930**  
(22) Filed: **Sep. 10, 2001**

**OTHER PUBLICATIONS**

Promise Technology, Inc. ConnectStor II Network Storage brochure.\*

\* cited by examiner

*Primary Examiner*—Jeffrey Asch  
(74) *Attorney, Agent, or Firm*—Klauber & Jackson; Stephen Gigante

(51) **LOC (7) Cl.** ..... **14-03**  
(52) **U.S. Cl.** ..... **D14/240**  
(58) **Field of Search** ..... D14/137, 240, D14/138, 242, 308, 356, 357, 358, 311, 313, 441, 144, 348-355, 370, 341-347, 125, 432, 433, 155, 299, 257, 439, 140, 188, 230, 241, 243, 245; 379/433.01-433.13, 419, 434, 428.01-428.04, 420.01-420.04, 440, 441, 442; 455/550-575, 90; D13/184, 123, 152, 147, 110, 164; 200/296, 293

**CLAIM**

(57) The ornamental design for virtual private network (VPN), as shown.

(56) **References Cited**

**DESCRIPTION**

**U.S. PATENT DOCUMENTS**

D335,489 S \* 5/1993 Sander ..... D14/352  
D342,488 S \* 12/1993 Kuzumoto et al. .... D14/352  
D363,465 S \* 10/1995 Daniels et al. .... D14/352  
D364,605 S \* 11/1995 Backs ..... D14/351  
D375,485 S \* 11/1996 Gray ..... D14/351  
D384,649 S \* 10/1997 Heberling et al. .... D14/352  
D400,514 S \* 11/1998 Yeh ..... D14/352  
D404,736 S \* 1/1999 Alvarez et al. .... D14/229  
D406,849 S \* 3/1999 Tanaka ..... D14/242

FIG. 1 is a right front perspective view showing the virtual private network (VPN) of our design;  
FIG. 2 is a left side perspective view thereof;  
FIG. 3 is a front view thereof;  
FIG. 4 is a rear perspective view thereof; and,  
FIG. 5 is a right side perspective view thereof similar to FIG. 1, with a door member shown in the open position.

**1 Claim, 5 Drawing Sheets**

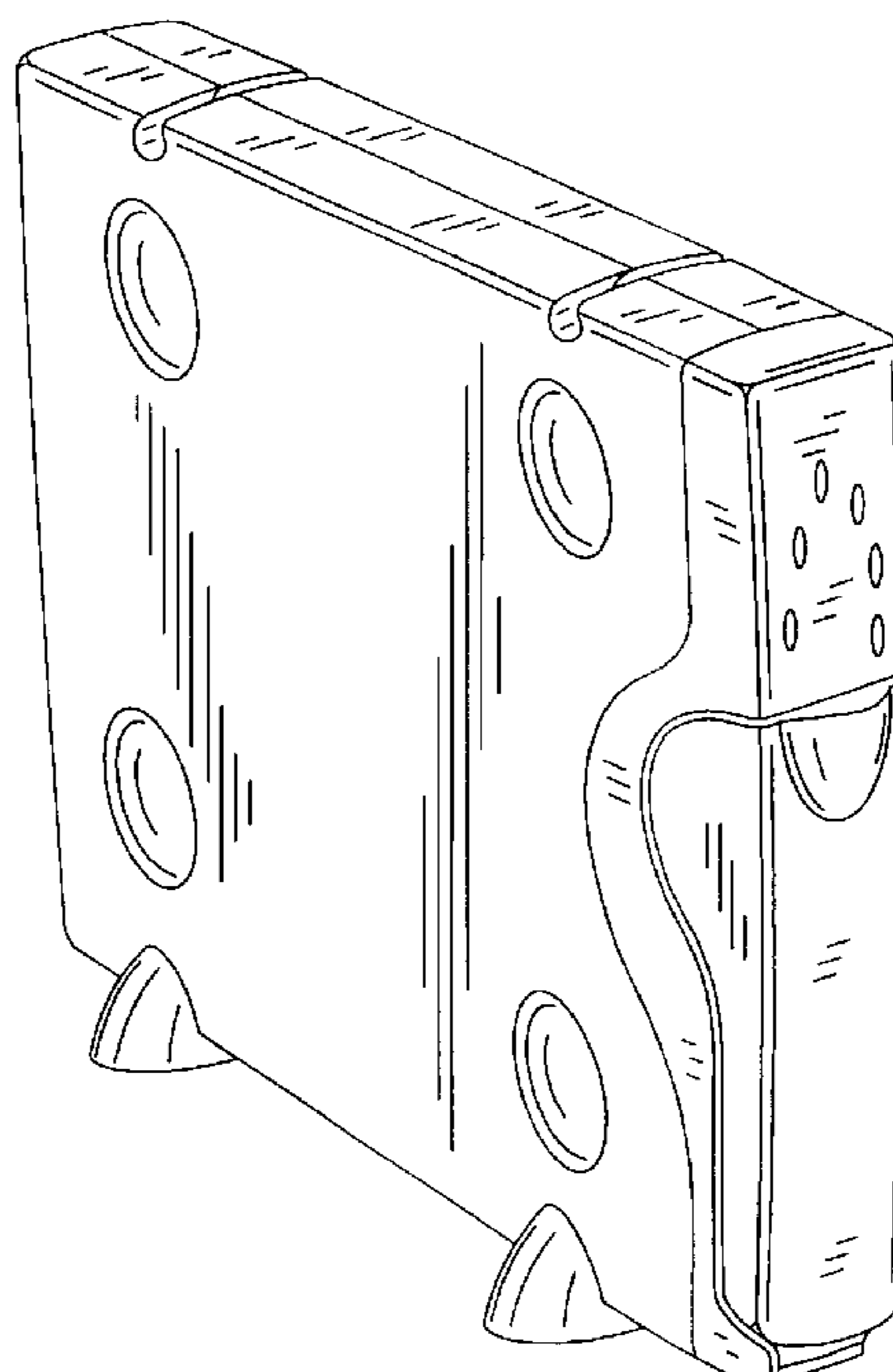


FIG. 1

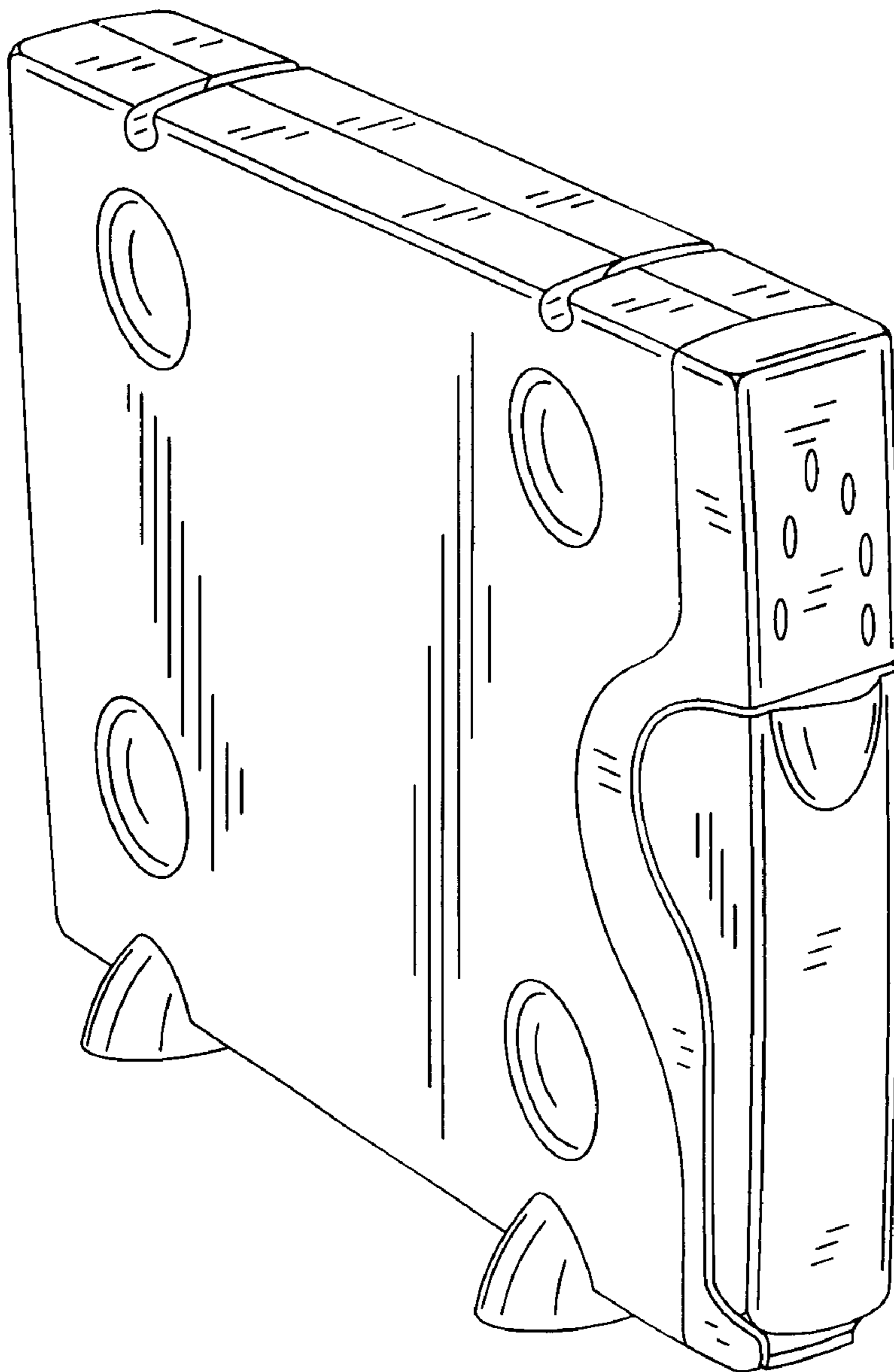
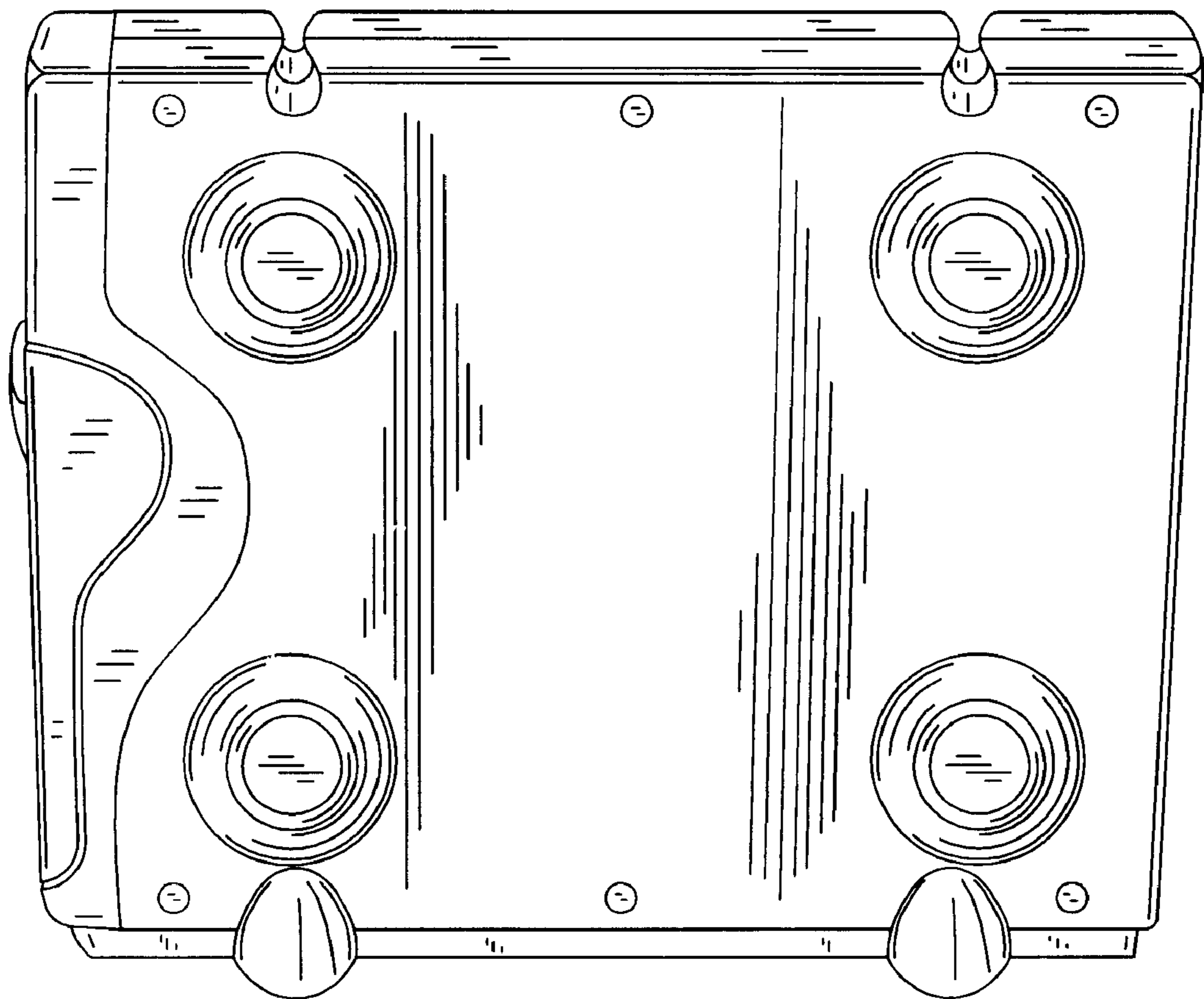
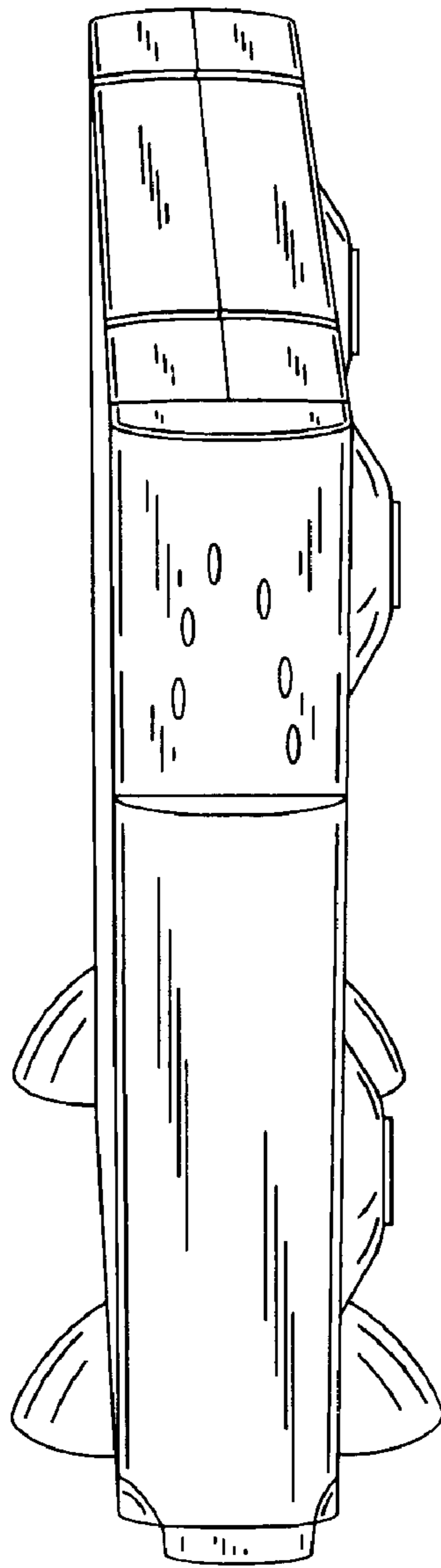


FIG. 2



# FIG. 3



# FIG. 4

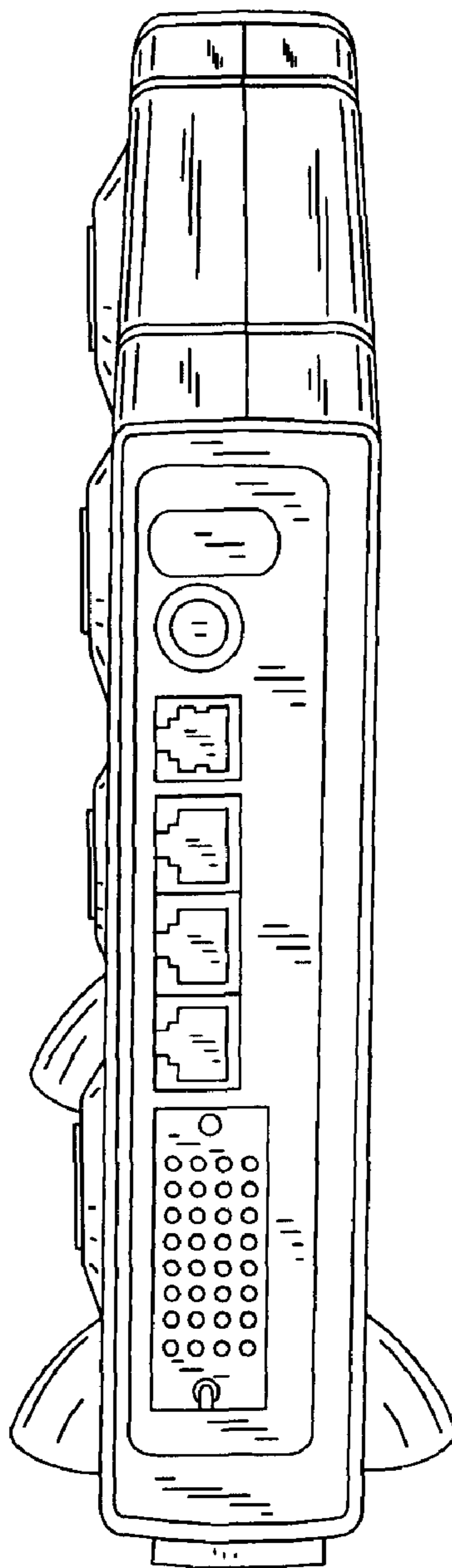


FIG. 5

