



US00D468302S

(12) **United States Design Patent**
Sato

(10) **Patent No.:** **US D468,302 S**

(45) **Date of Patent:** **** Jan. 7, 2003**

(54) **ANTENNA**

(75) **Inventor:** **Fusao Sato, Kobe (JP)**

(73) **Assignee:** **DX Antenna Company, Limited, Kobe (JP)**

(**) **Term:** **14 Years**

(21) **Appl. No.:** **29/152,774**

(22) **Filed:** **Dec. 28, 2001**

(51) **LOC (7) Cl. 14-03**

(52) **U.S. Cl. D14/235**

(58) **Field of Search D14/230-238,
D14/299; 343/805, 872, 873, 705; 455/90,
128, 347, 562**

(56) **References Cited**

U.S. PATENT DOCUMENTS

D176,368 S	12/1955	Middlemark	
2,822,542 A *	2/1958	Butterfield	343/705
3,450,372 A *	6/1969	Lange et al.	343/705
D229,832 S *	1/1974	Finkel	D14/230
D364,874 S	12/1995	Cheng	
D396,041 S *	7/1998	Read	D14/238
D427,997 S	7/2000	Inoue	
D440,961 S *	4/2001	Inoue	D14/230
D440,965 S	4/2001	Inoue	
D442,167 S *	5/2001	Emery	D14/230

* cited by examiner

Primary Examiner—Louis S. Zarfes

Assistant Examiner—Deanne Levy

(74) *Attorney, Agent, or Firm*—Duane Morris LLP

(57) **CLAIM**

The ornamental design for an antenna, as shown and described.

DESCRIPTION

FIG. 1 is a front elevational view of an antenna according to my new design;

FIG. 2 is a top plan view of the antenna shown in FIG. 1; FIG. 3 is a bottom plan view of the antenna shown in FIG. 1;

FIG. 4 is a left side elevational view of the antenna shown in FIG. 1;

FIG. 5 is a right side elevational view of the antenna shown in FIG. 1;

FIG. 6 is a rear elevational view of the antenna shown in FIG. 1;

FIG. 7 is a top plan view of the antenna shown in FIG. 1 with rod antennas retracted;

FIG. 8 is a front perspective view of the antenna shown in FIG. 1;

FIG. 9 is a rear perspective view of the antenna shown in FIG. 1;

FIG. 10 shows only cross-sections of portions of the antenna of FIG. 1 which would be revealed when the antenna is cut along the line 10—10 of FIG. 1; and,

FIG. 11 shows only cross-sections of portions of the antenna of FIG. 1 which would be revealed when the antenna is cut along the line 11—11 of FIG. 1.

The broken away showing of the rod antenna elements indicates that they are of indeterminate length.

1 Claim, 8 Drawing Sheets

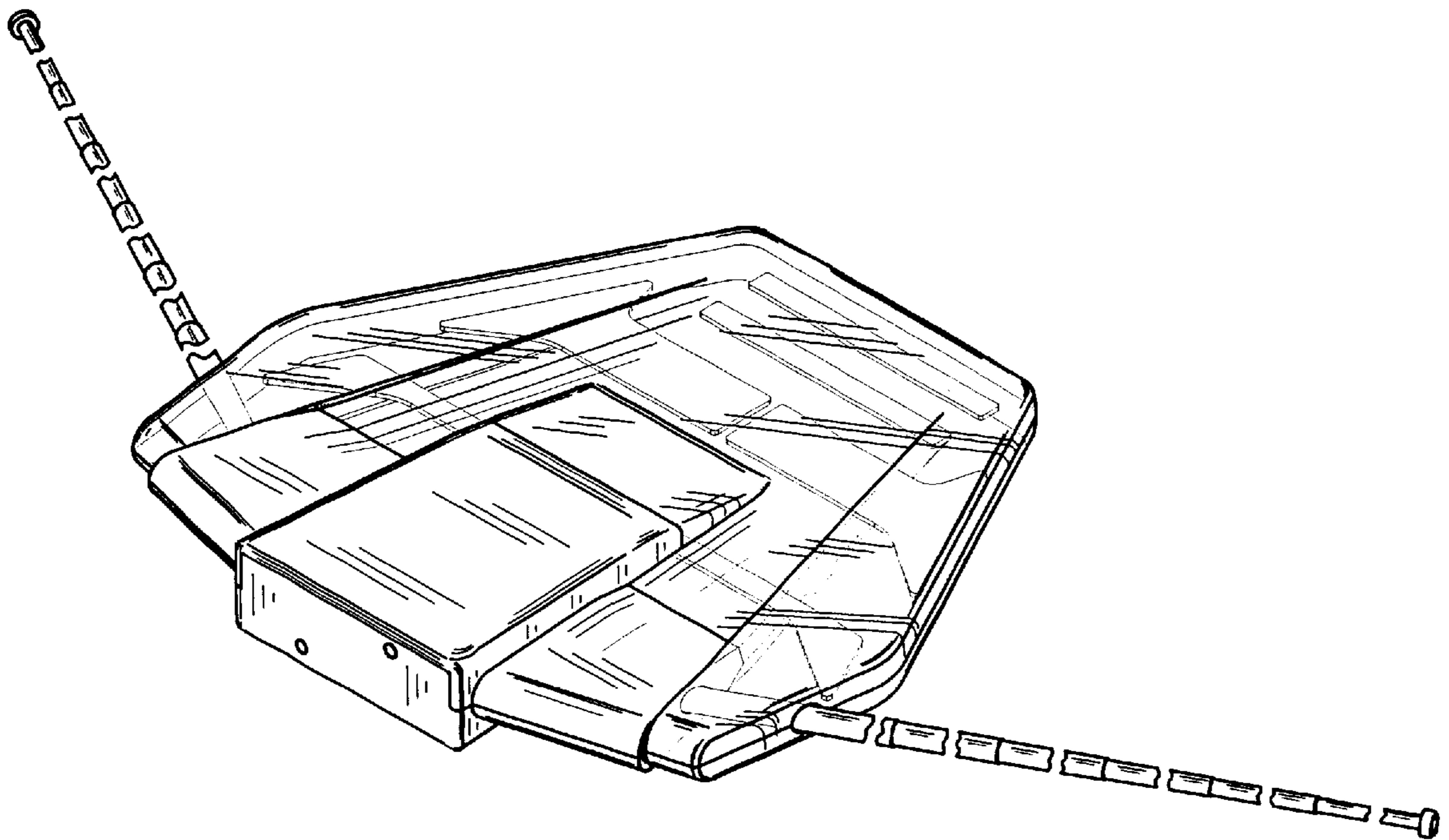


Fig. 1

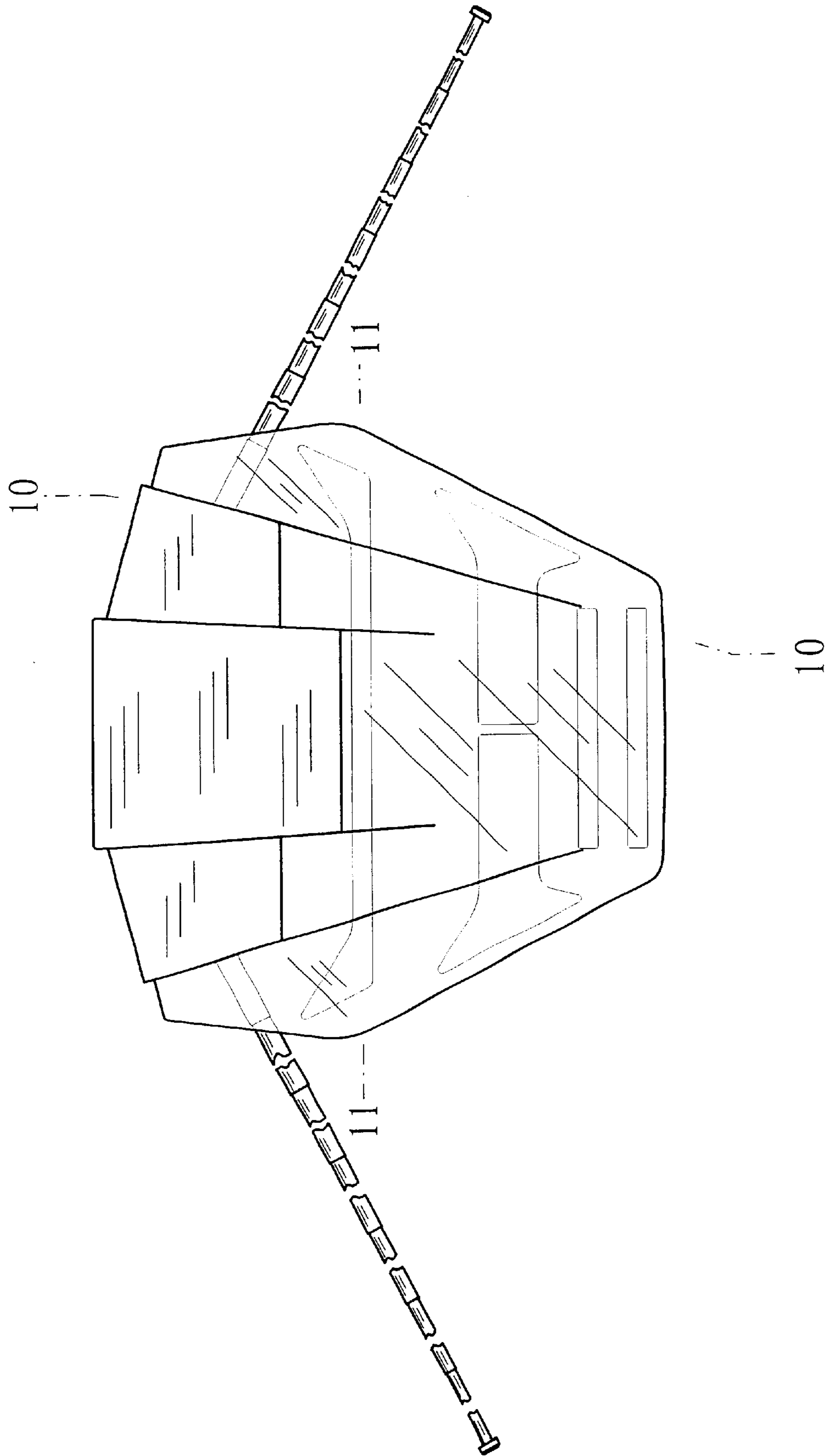


Fig. 2

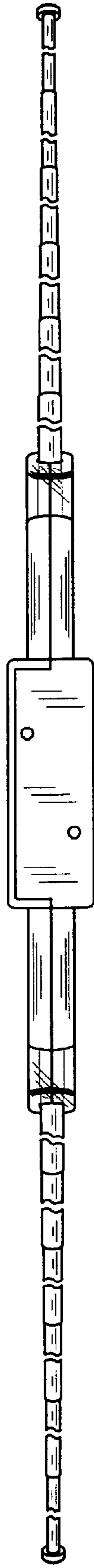


Fig. 3

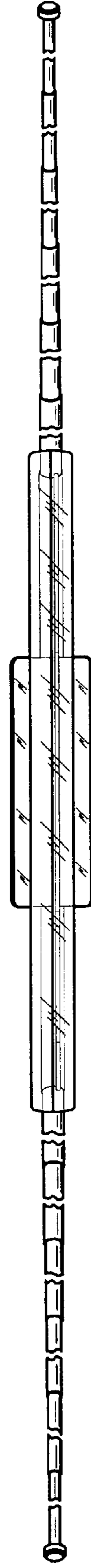


Fig. 4

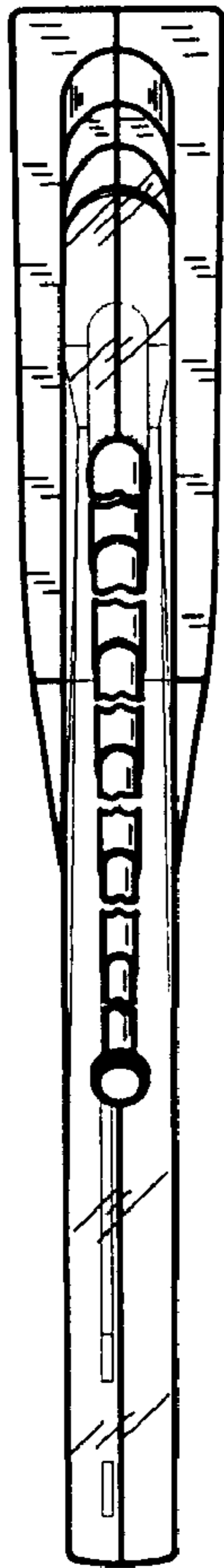


Fig. 5

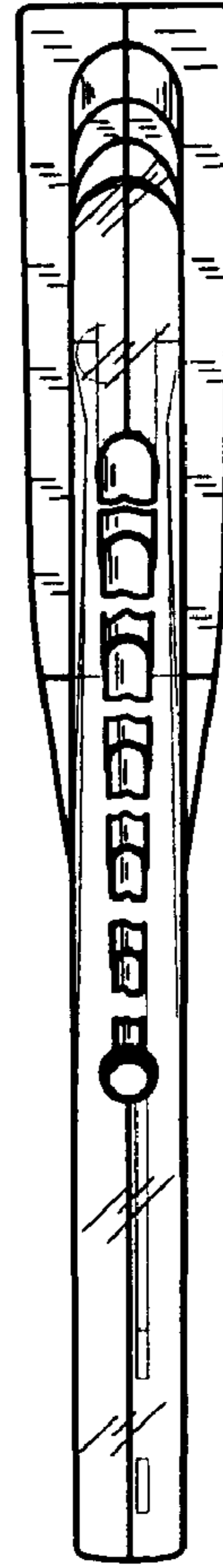


Fig. 6

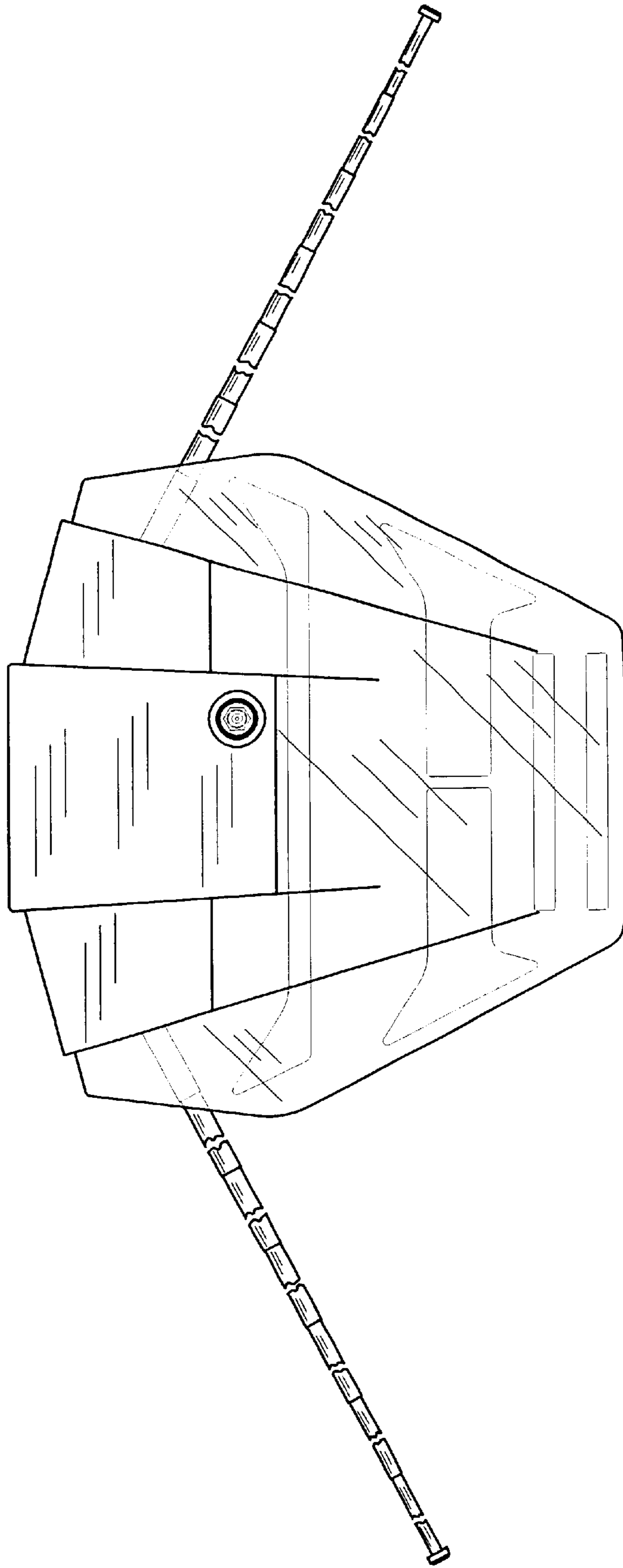


Fig. 7

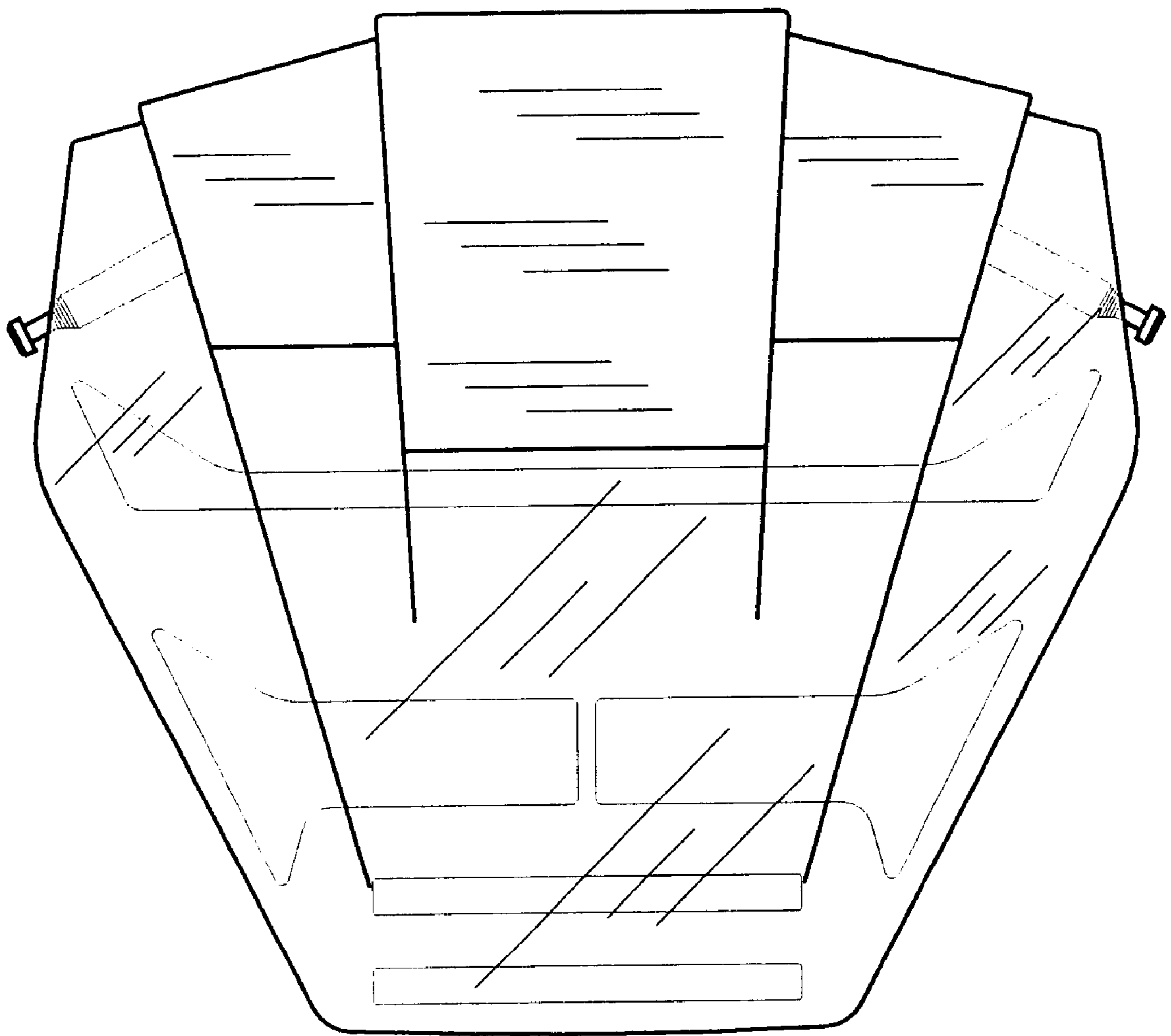


Fig. 8

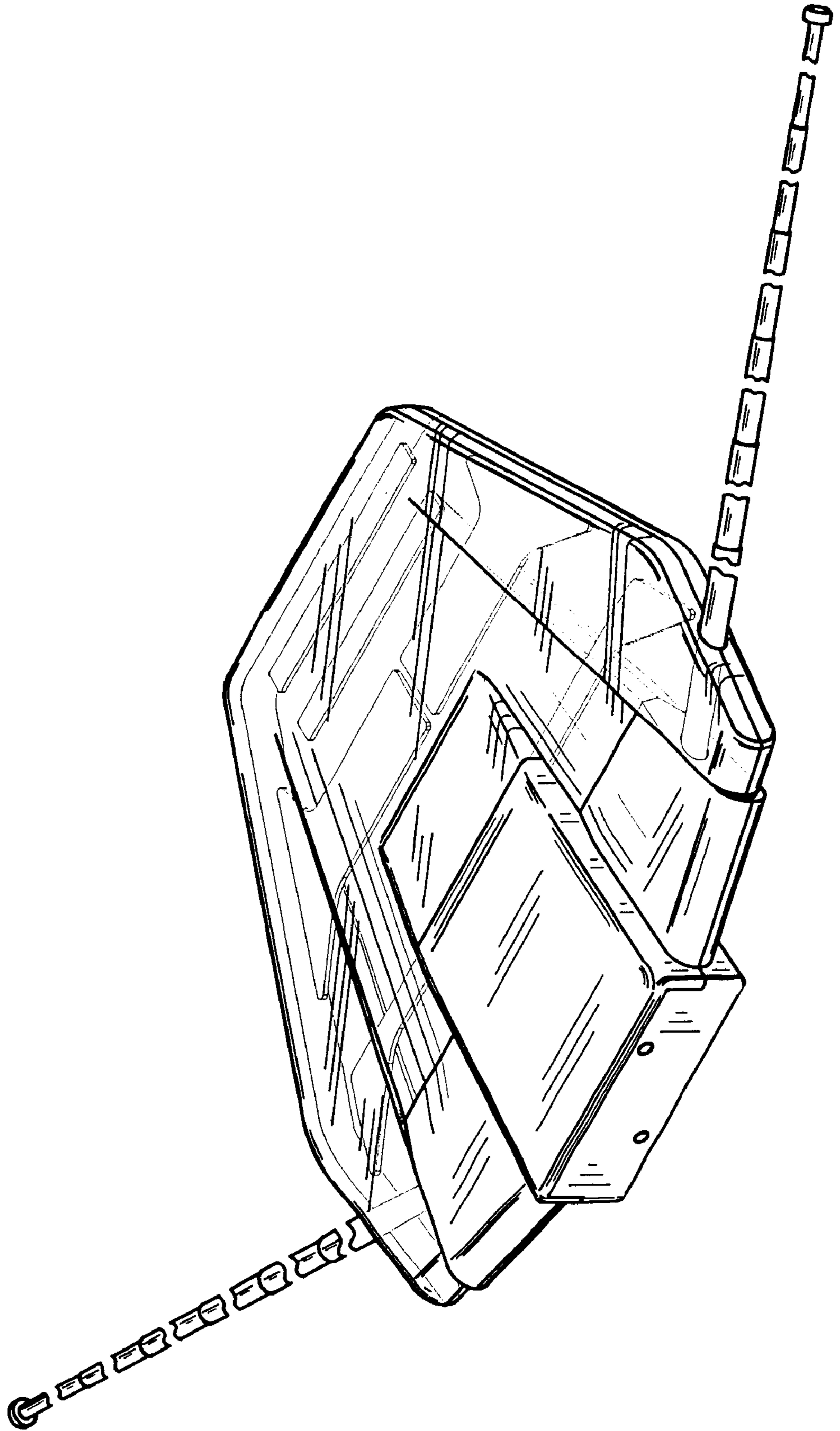


Fig. 9

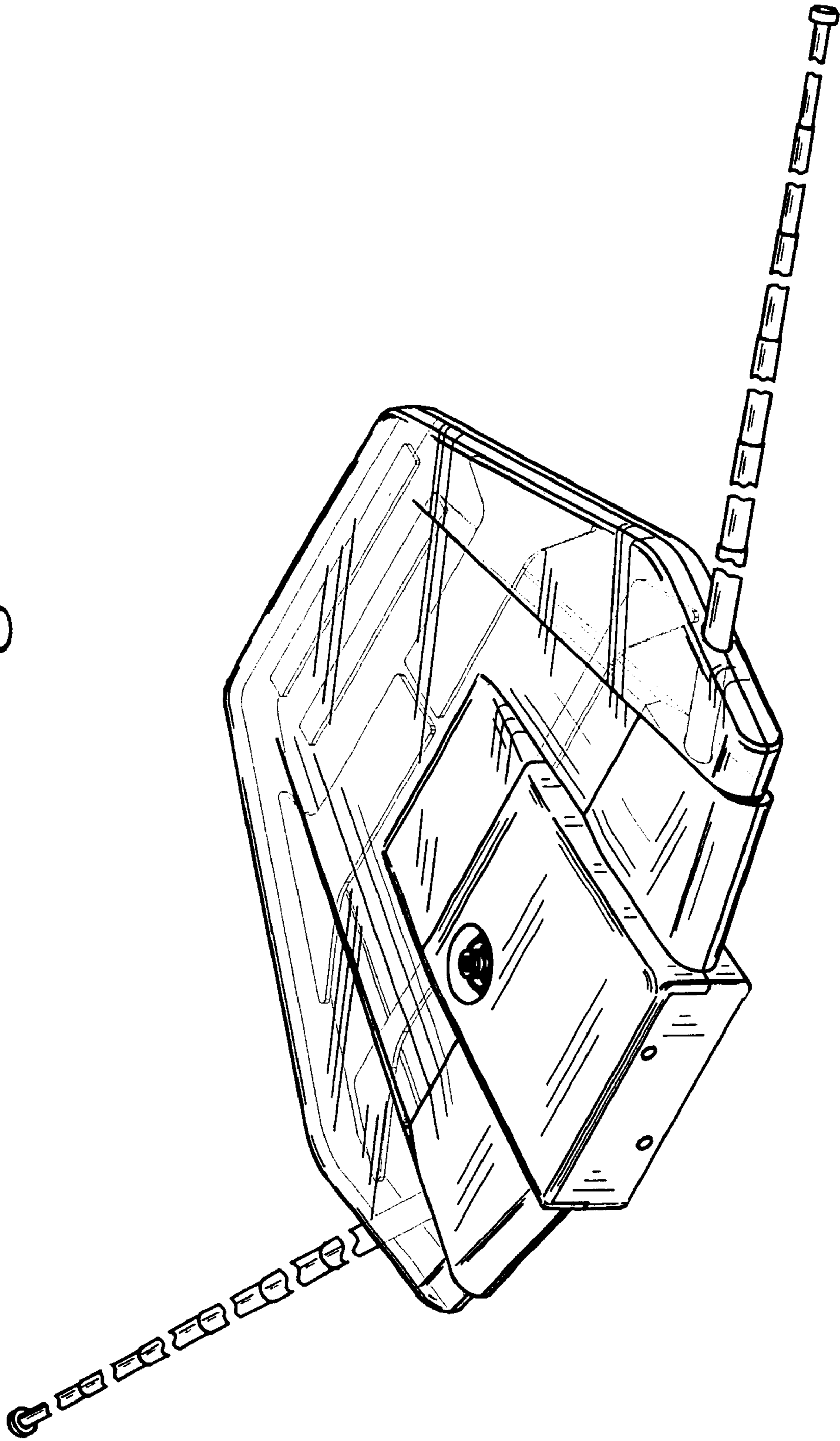


Fig. 10

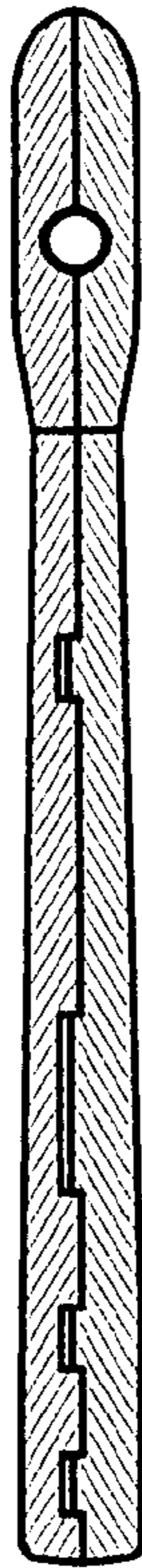


Fig. 11

