



US00D468298S

(12) **United States Design Patent**
Solland

(10) **Patent No.:** **US D468,298 S**

(45) **Date of Patent:** **** Jan. 7, 2003**

(54) **CONTROL ELEMENT FOR A SPEAKER HOUSING**

D329,235 S * 9/1992 Sarmiento D14/215
D360,415 S * 7/1995 Mark D14/212
D421,609 S * 3/2000 Warren D14/214
D429,717 S * 8/2000 Kizawa D14/204

(75) Inventor: **Kurt Solland**, Westlake Village, CA (US)

* cited by examiner

(73) Assignee: **Harman International Industries, Inc.**, Northridge, CA (US)

Primary Examiner—Nanda Bondade

(74) *Attorney, Agent, or Firm*—Banner & Witcoff, Ltd.

(**) Term: **14 Years**

(57) **CLAIM**

(21) Appl. No.: **29/157,357**

The ornamental design for control element for a speaker housing, as shown and described.

(22) Filed: **Mar. 19, 2002**

DESCRIPTION

(51) **LOC (7) Cl.** **14-01**

(52) **U.S. Cl.** **D14/221; D14/216**

(58) **Field of Search** D14/204, 207, D14/209–217, 356, 299, 221; 181/144–145, 147–148, 150, 153, 157, 198–199; 381/300–302, 306, 333, 345, 361–364, 386–388

FIG. 1 is a perspective view of a control element for a speaker housing showing my new design; FIG. 2 is a reduced top plan view thereof; FIG. 3 is a front elevational view thereof; FIG. 4 is a side elevational view thereof, the opposite side elevational view being a mirror image thereof; and, FIG. 5 is a back elevational view thereof.

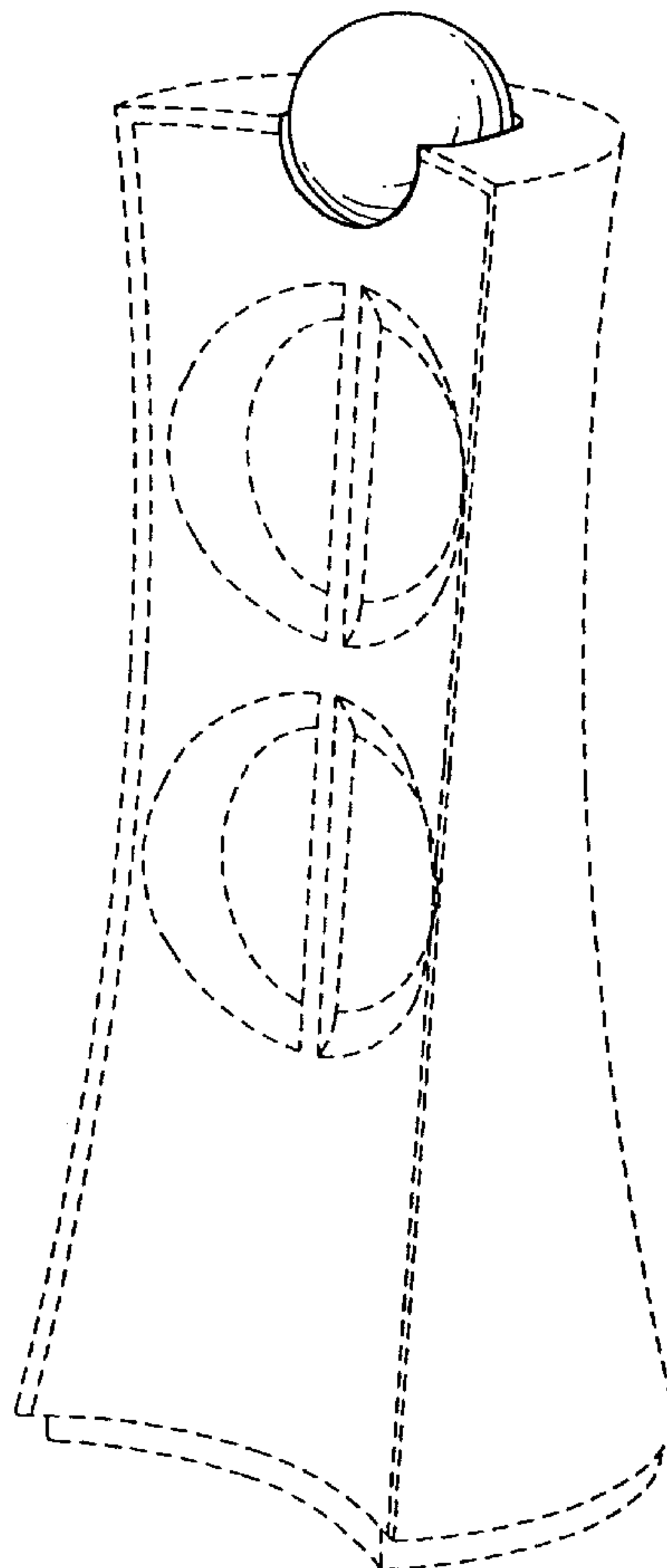
(56) **References Cited**

The broken line showing of the speaker housing in FIGS. 1–5 is for illustrative purposes only and forms no part of the claimed design.

U.S. PATENT DOCUMENTS

D208,919 S * 10/1967 Moore D14/212
D211,361 S * 6/1968 Moore D14/212

1 Claim, 2 Drawing Sheets



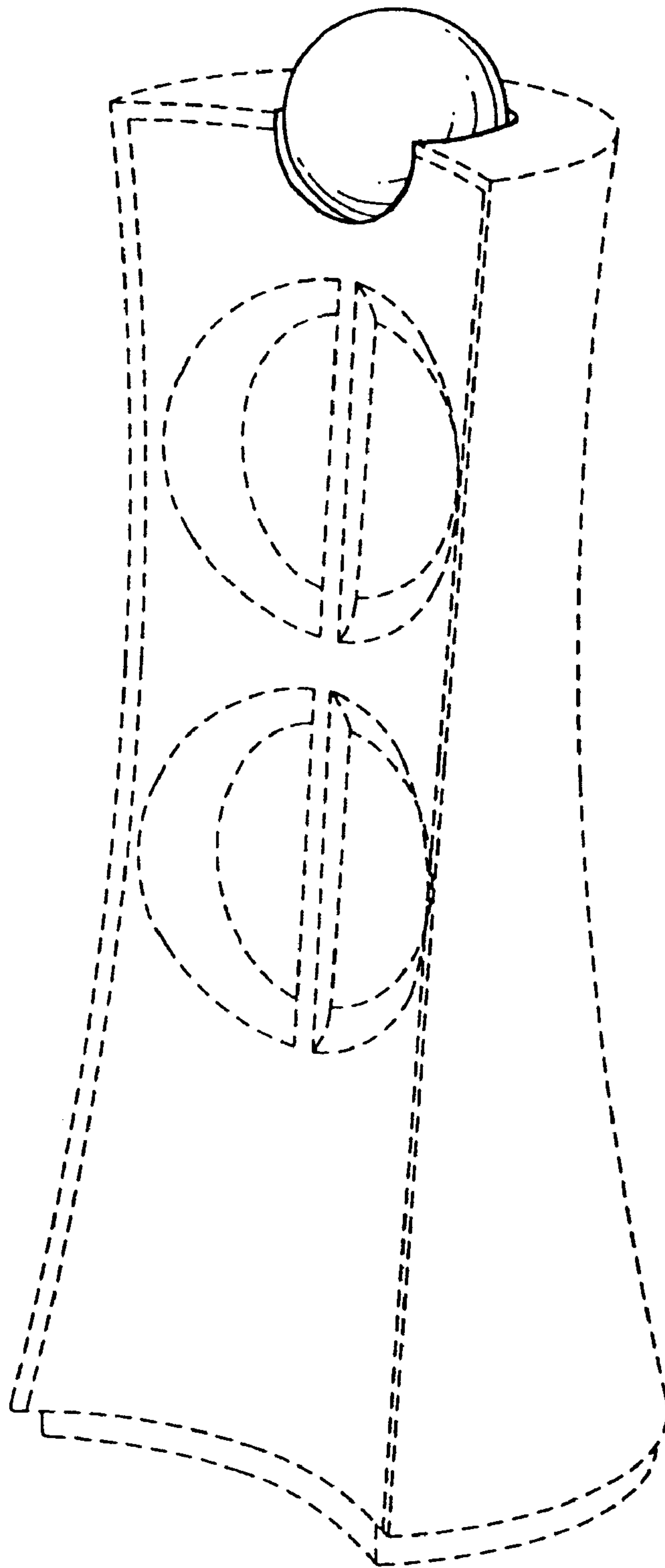


FIG. 1

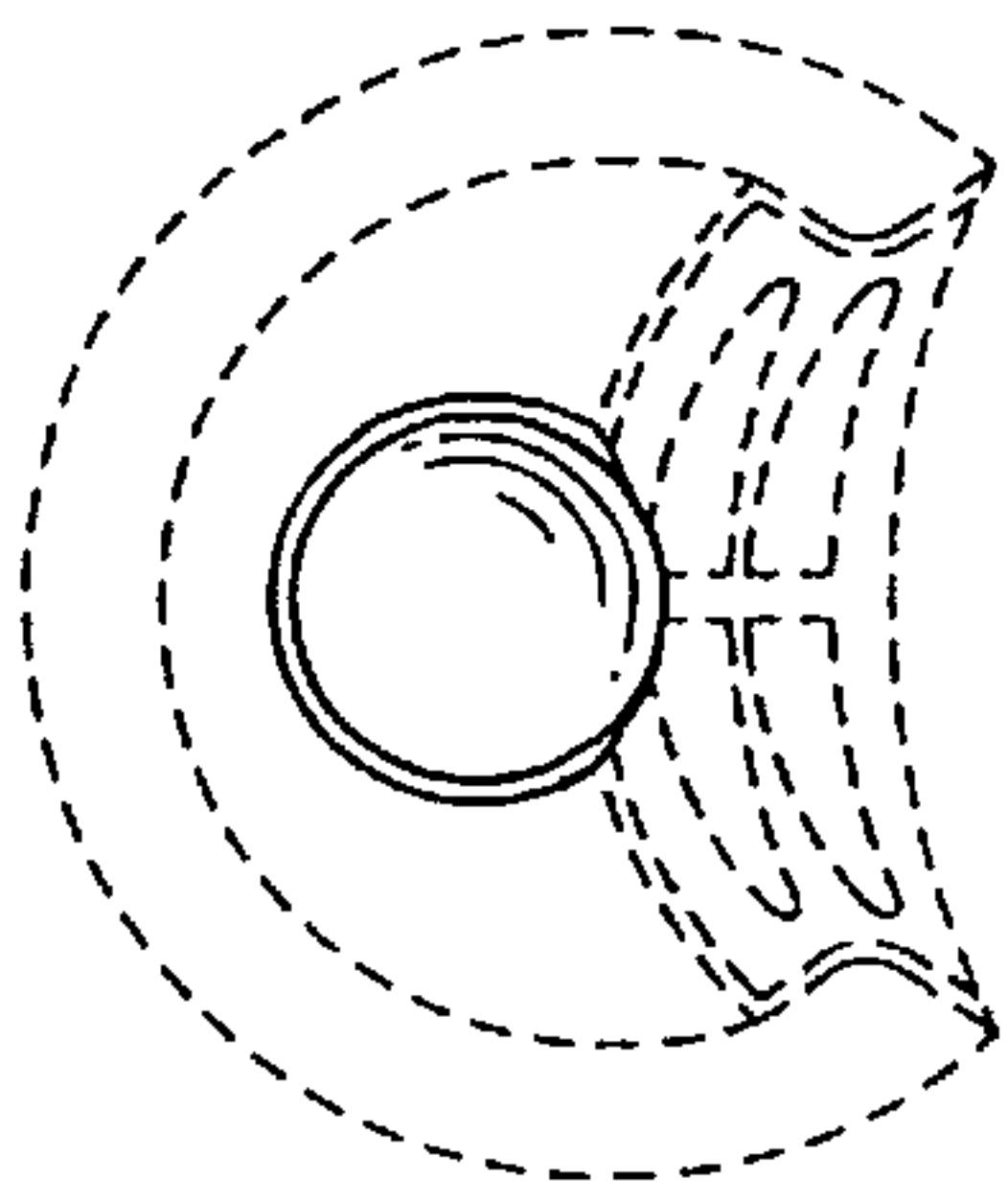


FIG. 2

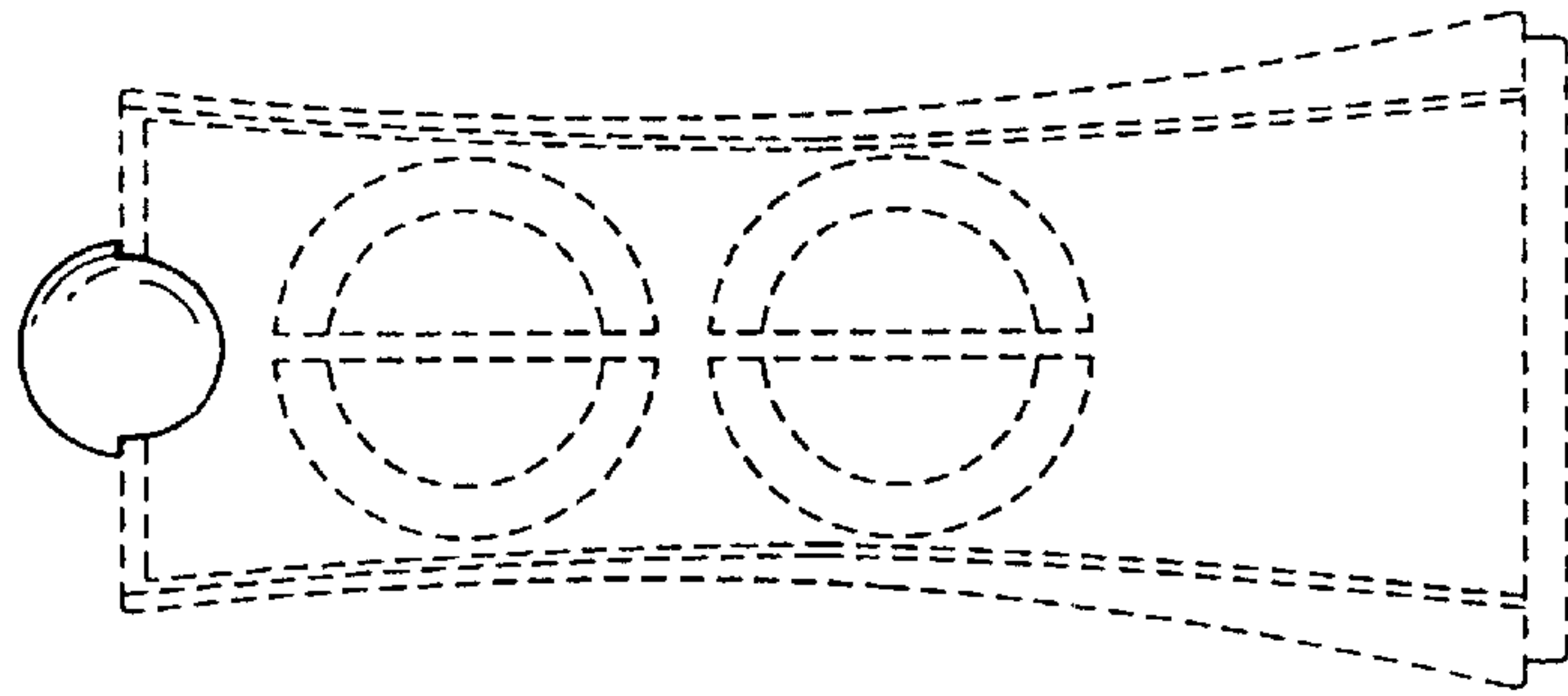


FIG. 3

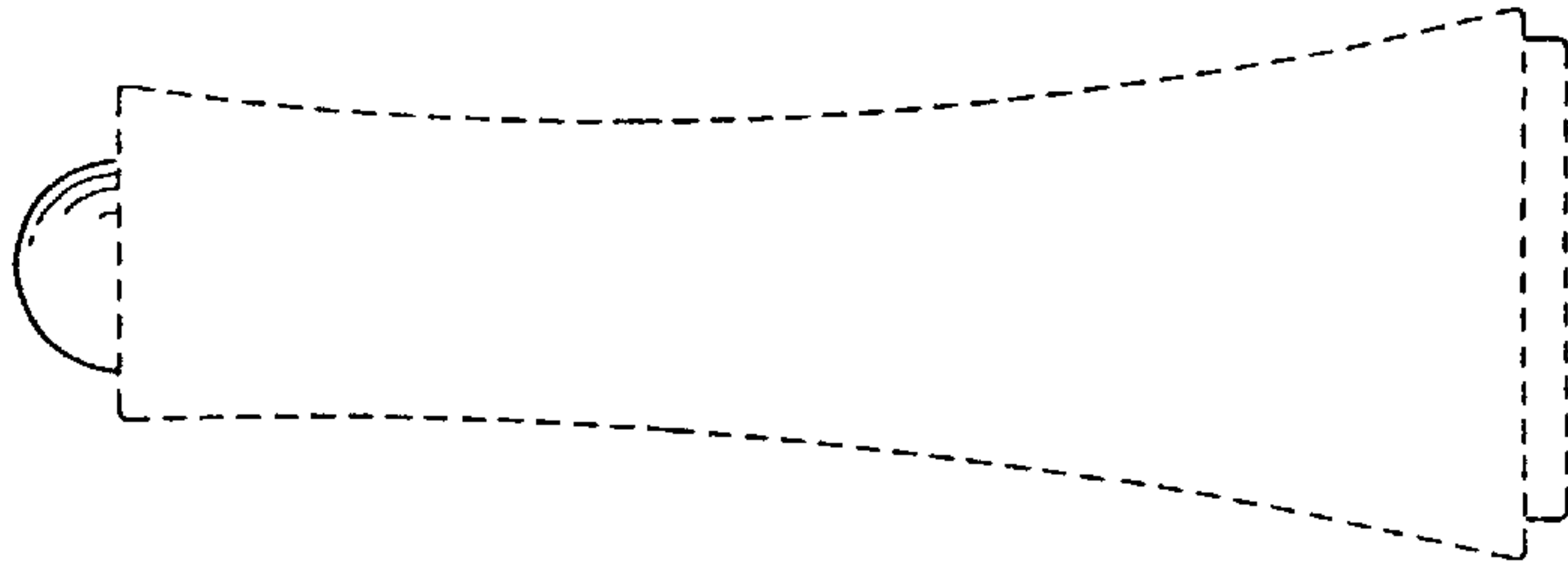


FIG. 4

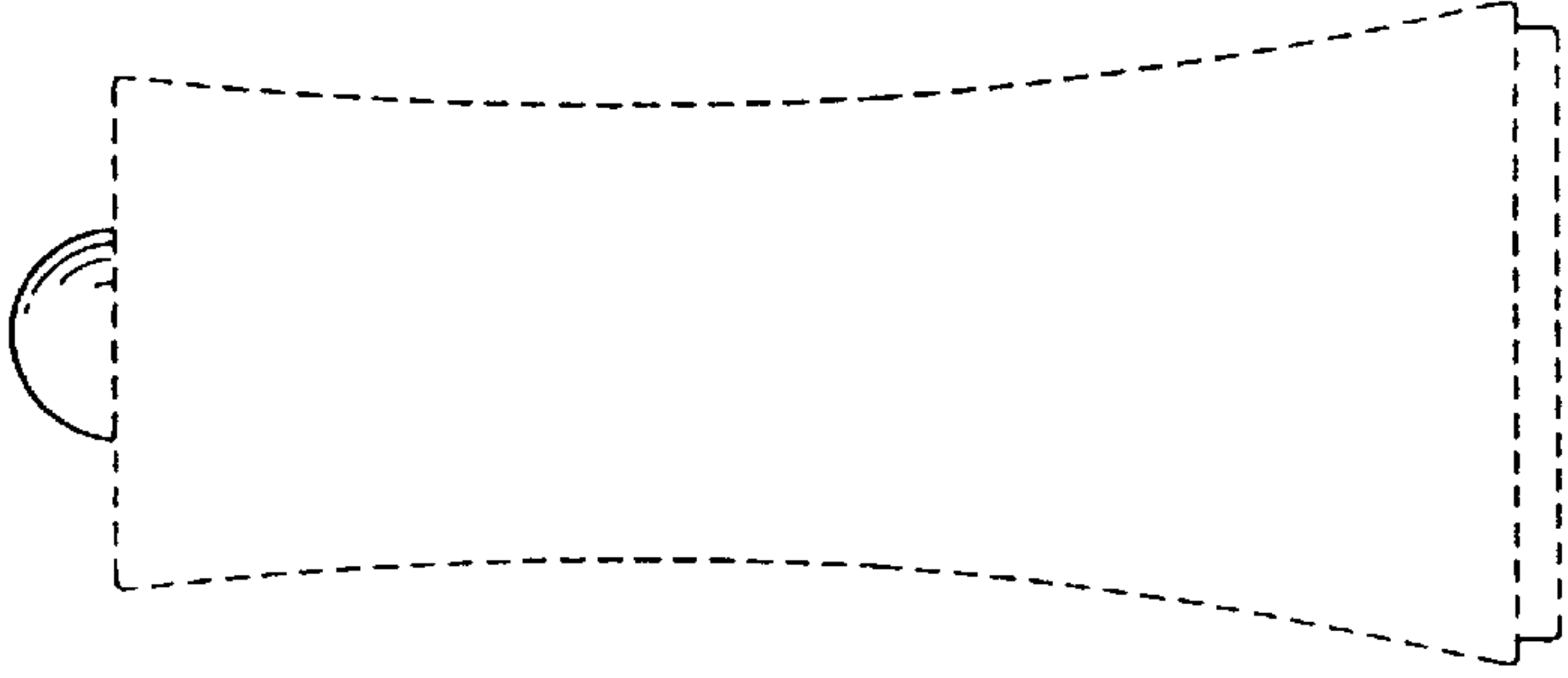


FIG. 5