



US00D468296S

(12) **United States Design Patent**
Graceffa

(10) **Patent No.:** **US D468,296 S**

(45) **Date of Patent:** **** Jan. 7, 2003**

(54) **ELECTRONIC DEVICE**

(75) Inventor: **Joseph Thomas Graceffa**, Chicago, IL
(US)

(73) Assignee: **Full Audio Corporation**, Chicago, IL
(US)

(**) Term: **14 Years**

(21) Appl. No.: **29/132,456**

(22) Filed: **Nov. 10, 2000**

(51) **LOC (7) Cl.** **14-03**

(52) **U.S. Cl.** **D14/218; D13/164**

(58) **Field of Search** D14/174, 217,
D14/218, 137-139, 155, 191-193, 124,
299, 167-168; D13/168, 162-164; D21/512-517,
566; 348/114, 734; D10/104, 106, 1, 21-24,
26, 40; 455/352-355, 151.1-151.4

(56) **References Cited**

U.S. PATENT DOCUMENTS

D276,703 S	*	12/1984	Au	D10/21
D333,099 S	*	2/1993	Hiromori	D10/22
D429,175 S	*	8/2000	Ha	D10/104

* cited by examiner

Primary Examiner—Louis S. Zarfaz

Assistant Examiner—Deanne Levy

(74) *Attorney, Agent, or Firm*—Katten Muchin Zavis
Rosenman

(57) **CLAIM**

I claim the design for the electronic device, as illustrated in the figures.

DESCRIPTION

FIG. 1 is a perspective view of an electronic device with controls in accordance with the present invention.

FIG. 2 is a top view of the electronic device illustrated in FIG. 1.

FIG. 3 is a bottom view of the electronic device illustrated in FIG. 1.

FIG. 4 is a front elevational view of the electronic device illustrated in FIG. 1.

FIG. 5 is a rear elevational view of the electronic device illustrated in FIG. 1.

FIG. 6 is a left side elevational view of the electronic device illustrated in FIG. 1; and,

FIG. 7 is a right elevational view of the electronic device illustrated in FIG. 1.

1 Claim, 4 Drawing Sheets

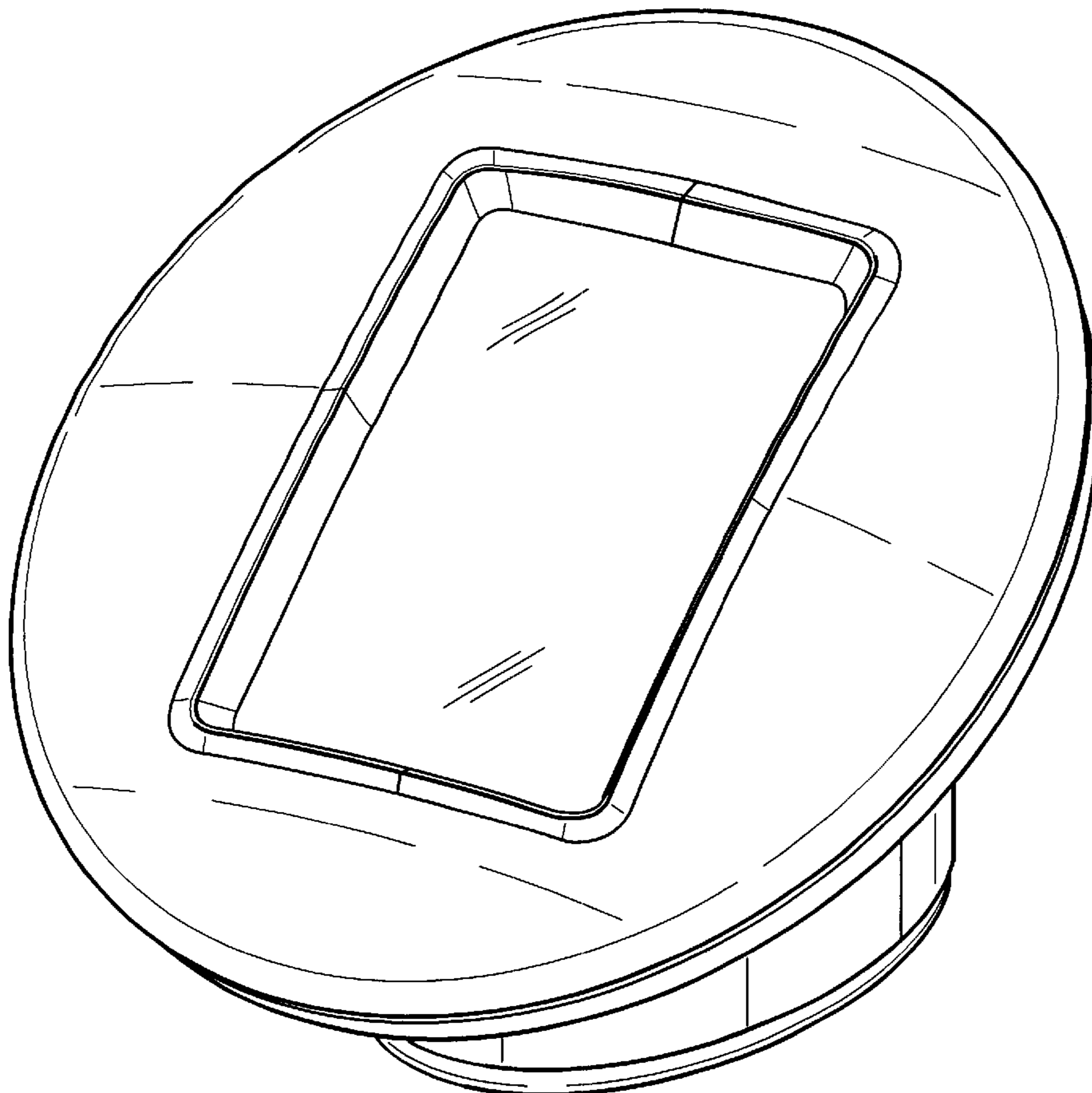


Fig. 1

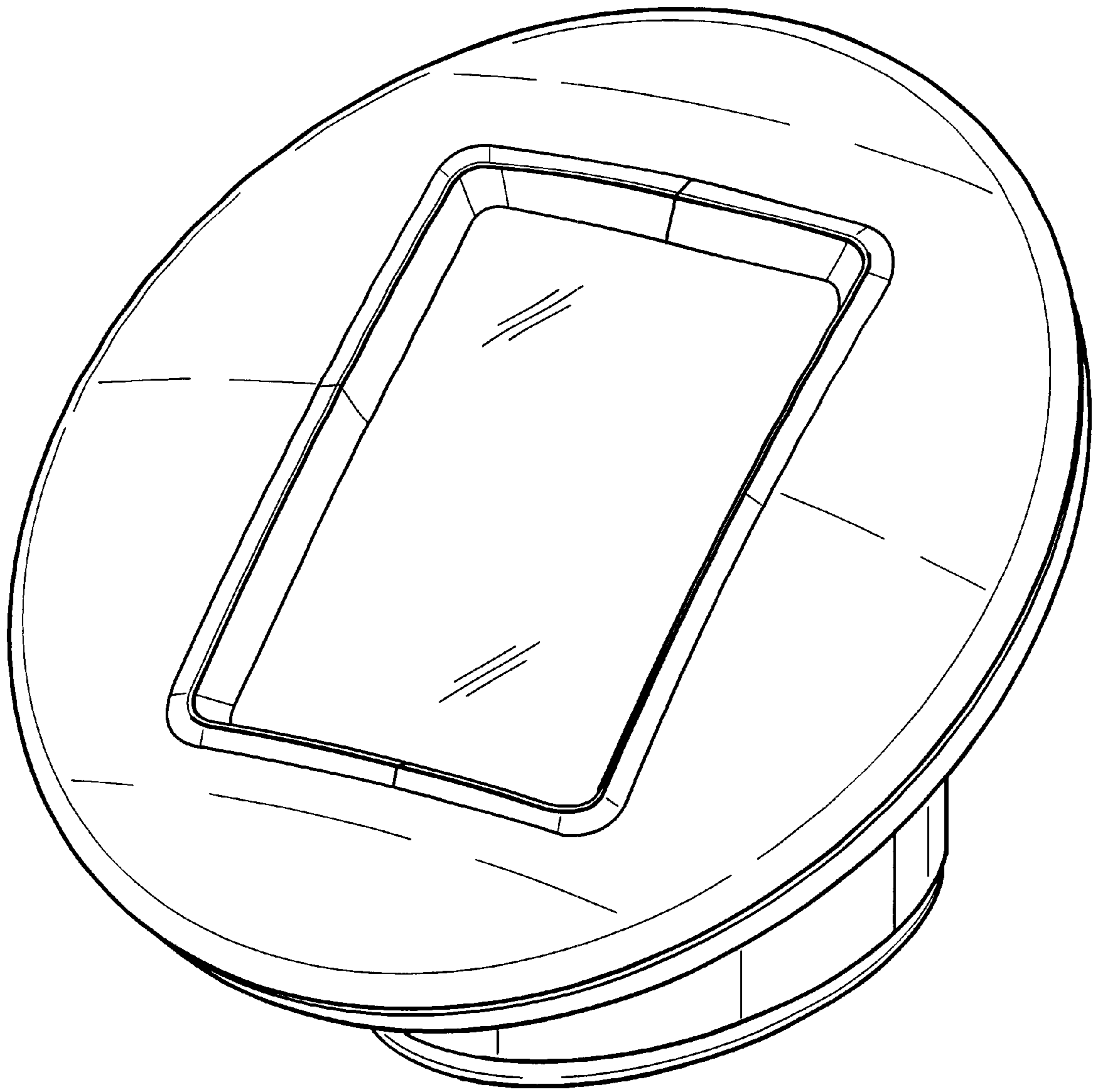


Fig. 2

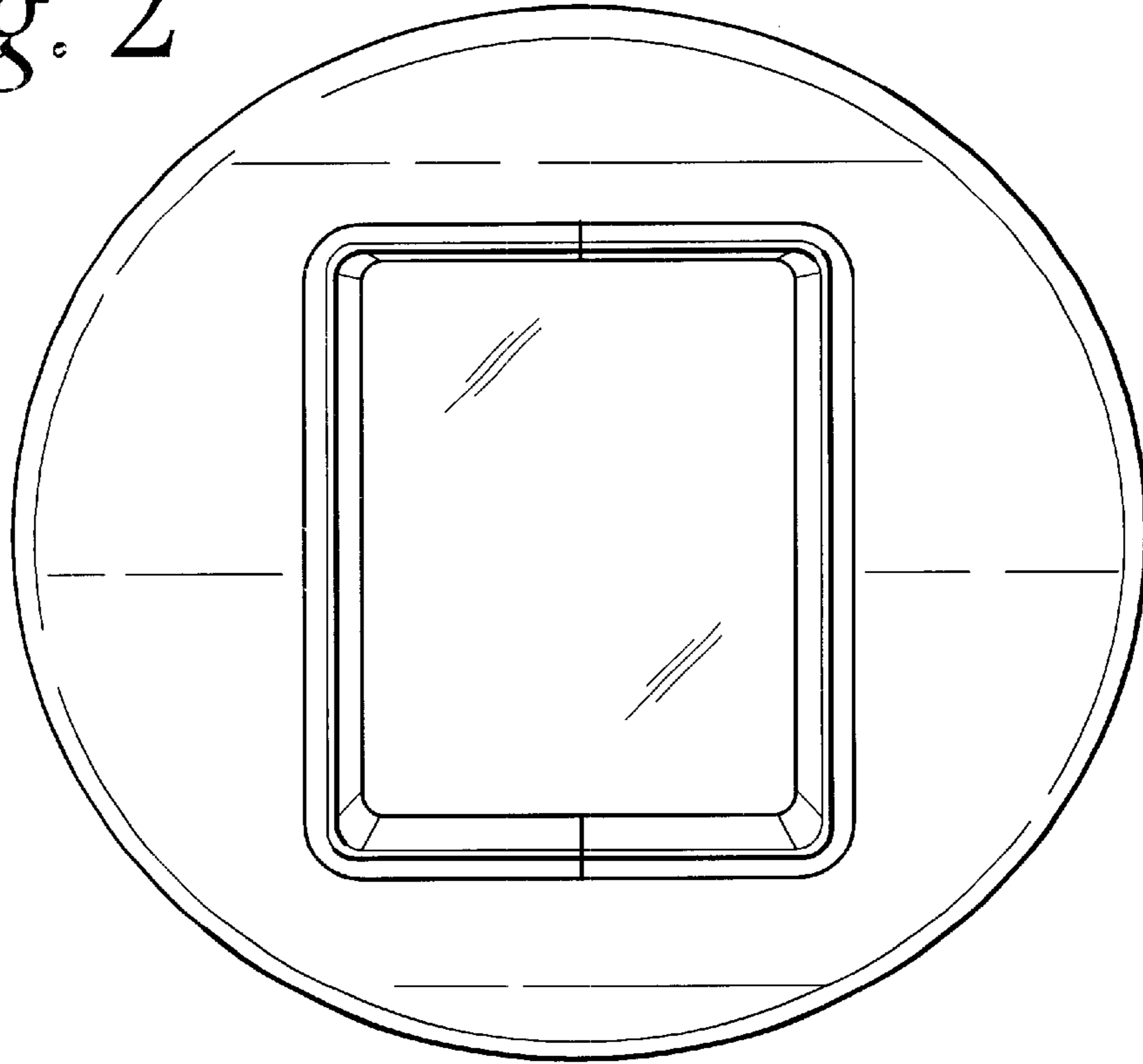


Fig. 3

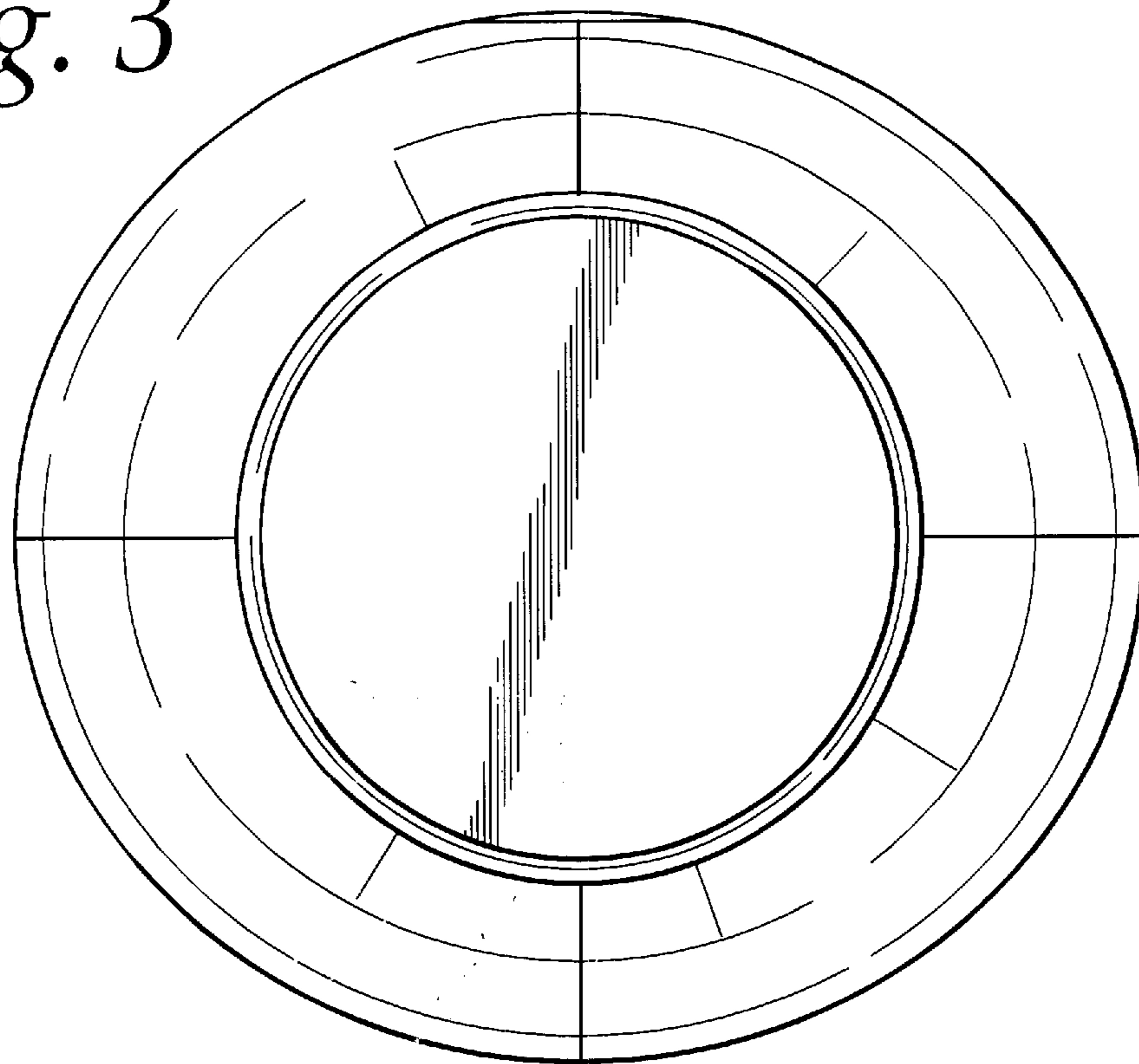


Fig. 4

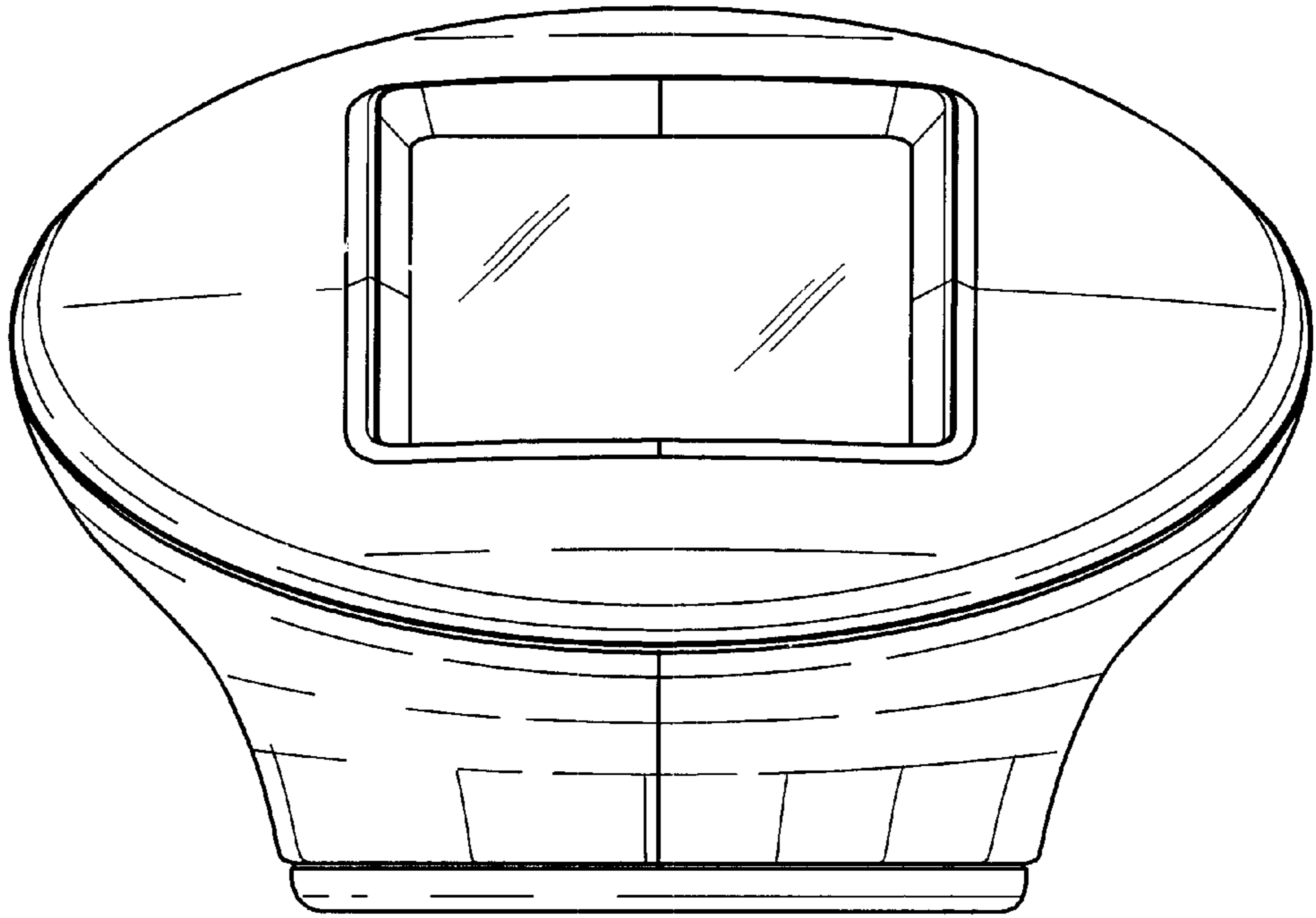


Fig. 5

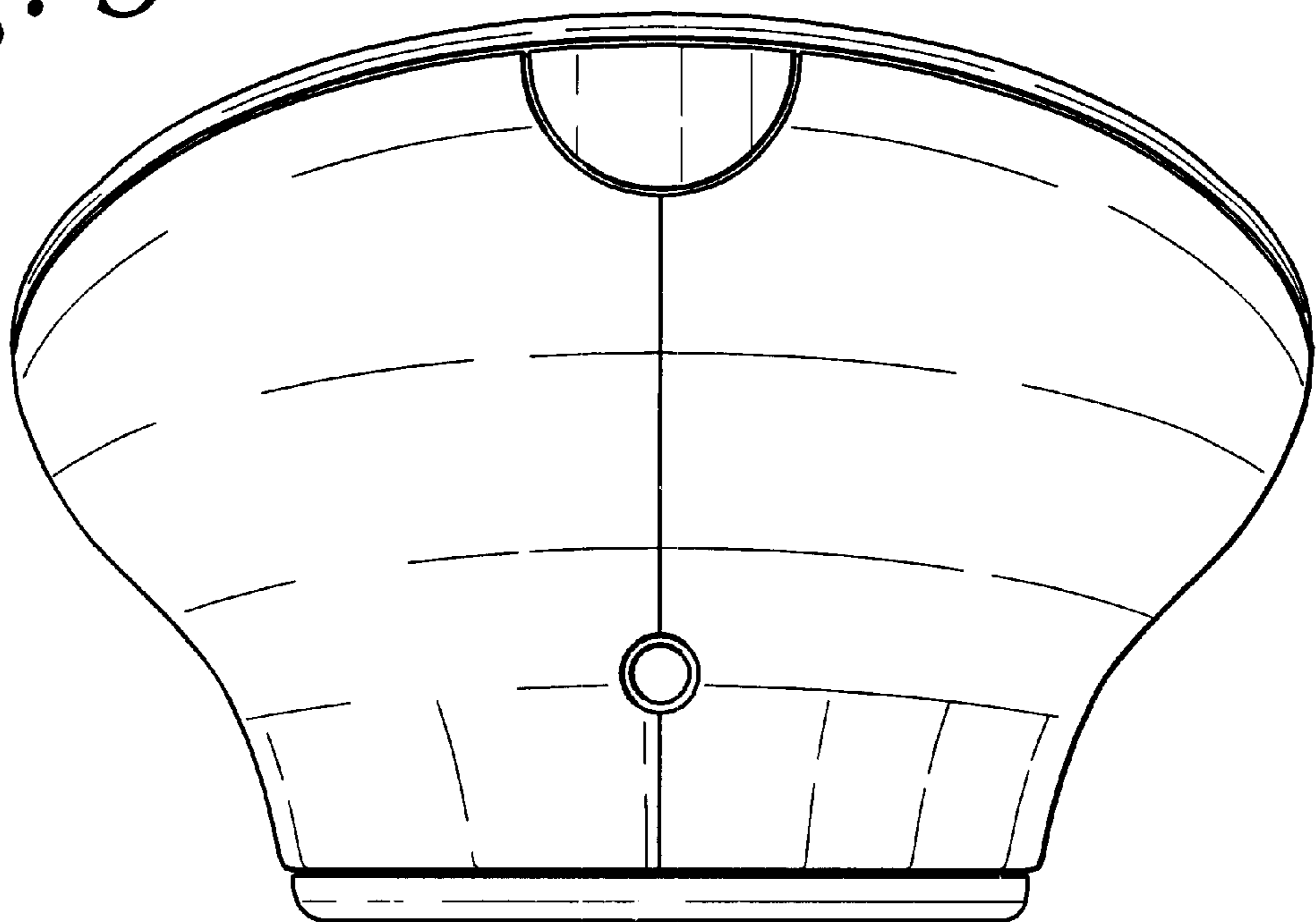


Fig. 6

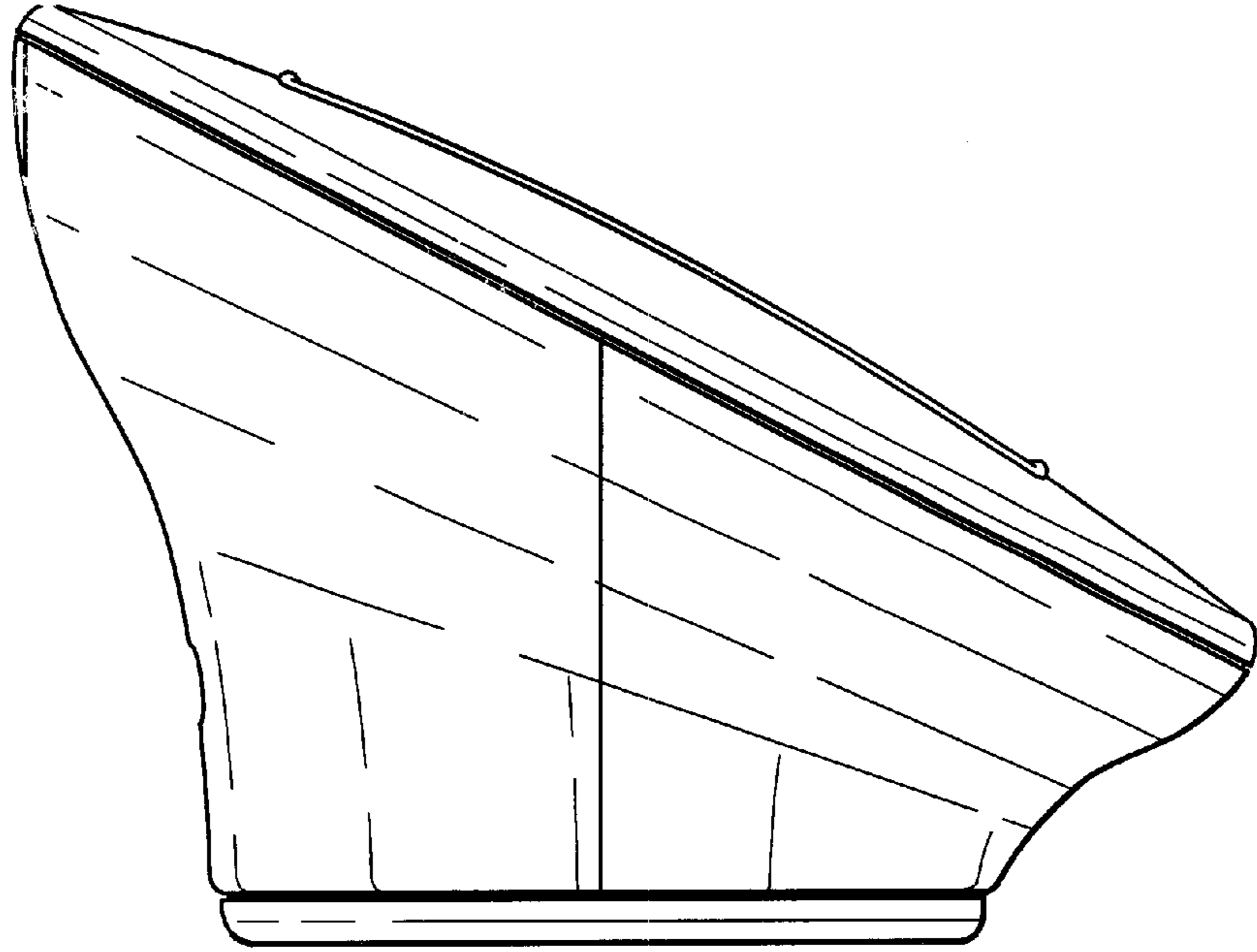


Fig. 7

