



US00D468290S

(12) **United States Design Patent**
Narita

(10) **Patent No.:** **US D468,290 S**

(45) **Date of Patent:** **** Jan. 7, 2003**

(54) **SPEAKER BOX**

D449,291 S * 10/2001 Oikawa D14/214

(75) Inventor: **Hisanori Narita**, Tokyo (JP)

(73) Assignee: **Sony Corporation**, Tokyo (JP)

(**) Term: **14 Years**

(21) Appl. No.: **29/154,397**

(22) Filed: **Jan. 24, 2002**

(51) **LOC (7) Cl.** **14-01**

(52) **U.S. Cl.** **D14/214**

(58) **Field of Search** D14/204, 207,
D14/209-216; 181/144-145, 147-148,
150, 153, 157, 198-199; 381/300-302,
306, 333, 345, 361-364, 386-388

(56) **References Cited**

U.S. PATENT DOCUMENTS

D411,178 S	*	6/1999	Ikenaga	D14/349
D412,505 S		8/1999	Matsuoka		
D417,874 S		12/1999	Suzuki		
D418,511 S		1/2000	Suzuki		
D420,357 S		2/2000	Matsuoka		
D437,306 S		2/2001	Masui		
D448,753 S	*	10/2001	Masui	D14/214

OTHER PUBLICATIONS

Catalog "SONY AV Amp/AV Speaker System, Digital Cinema Sound," p. 23, Sony Corporation (Oct. 2000).

* cited by examiner

Primary Examiner—Nanda Bondade

(74) *Attorney, Agent, or Firm*—Rader, Fishman & Grauer PLLC

(57) **CLAIM**

The ornamental design for a speaker box, as shown and described.

DESCRIPTION

FIG. 1 is a perspective view of a speaker box showing my new design;

FIG. 2 is a front elevational view thereof;

FIG. 3 is a rear elevational view thereof;

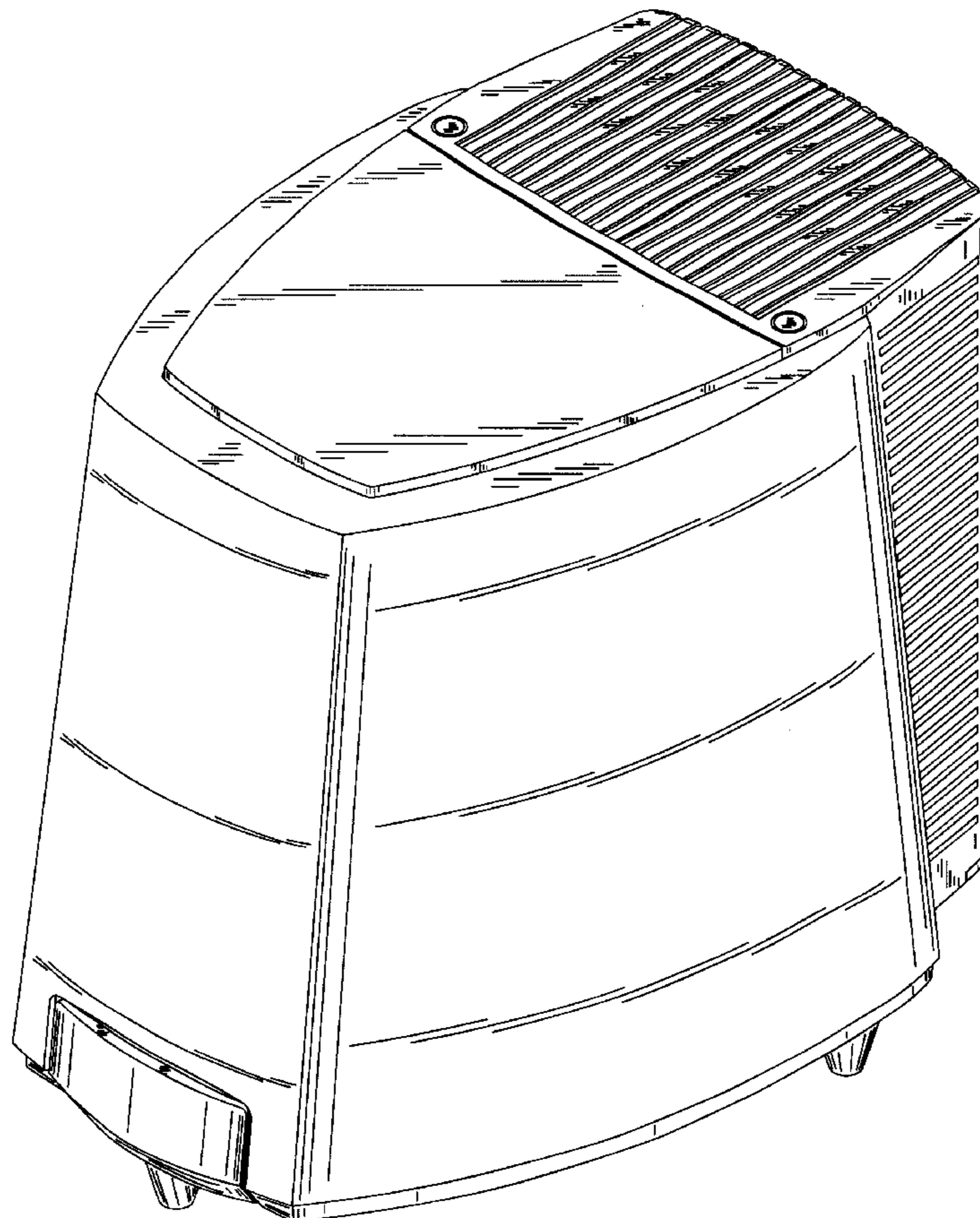
FIG. 4 is a left side elevational view thereof;

FIG. 5 is a right side elevational view thereof;

FIG. 6 is a top plan view thereof; and,

FIG. 7 is a bottom plan view thereof.

1 Claim, 4 Drawing Sheets



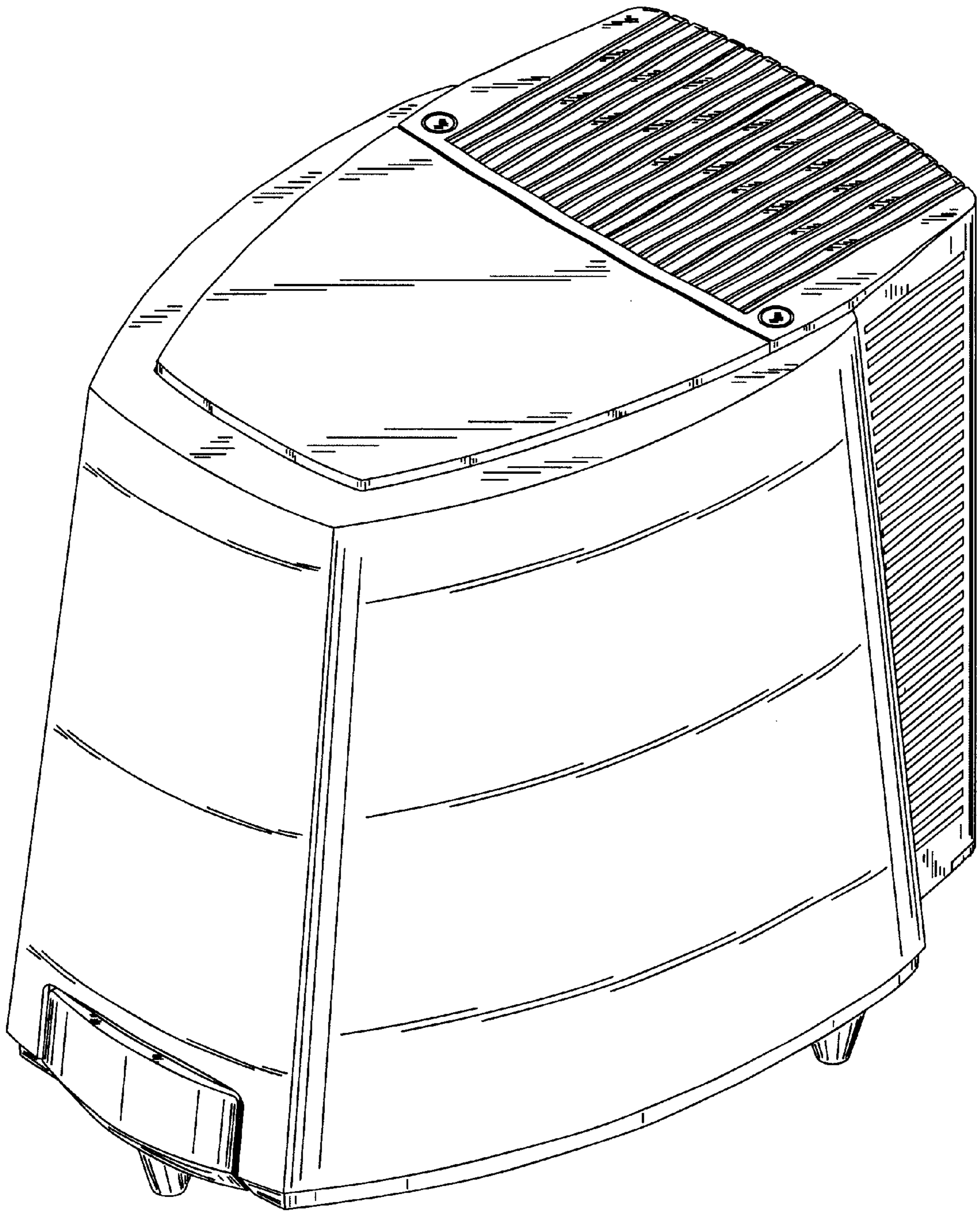


Fig. 1

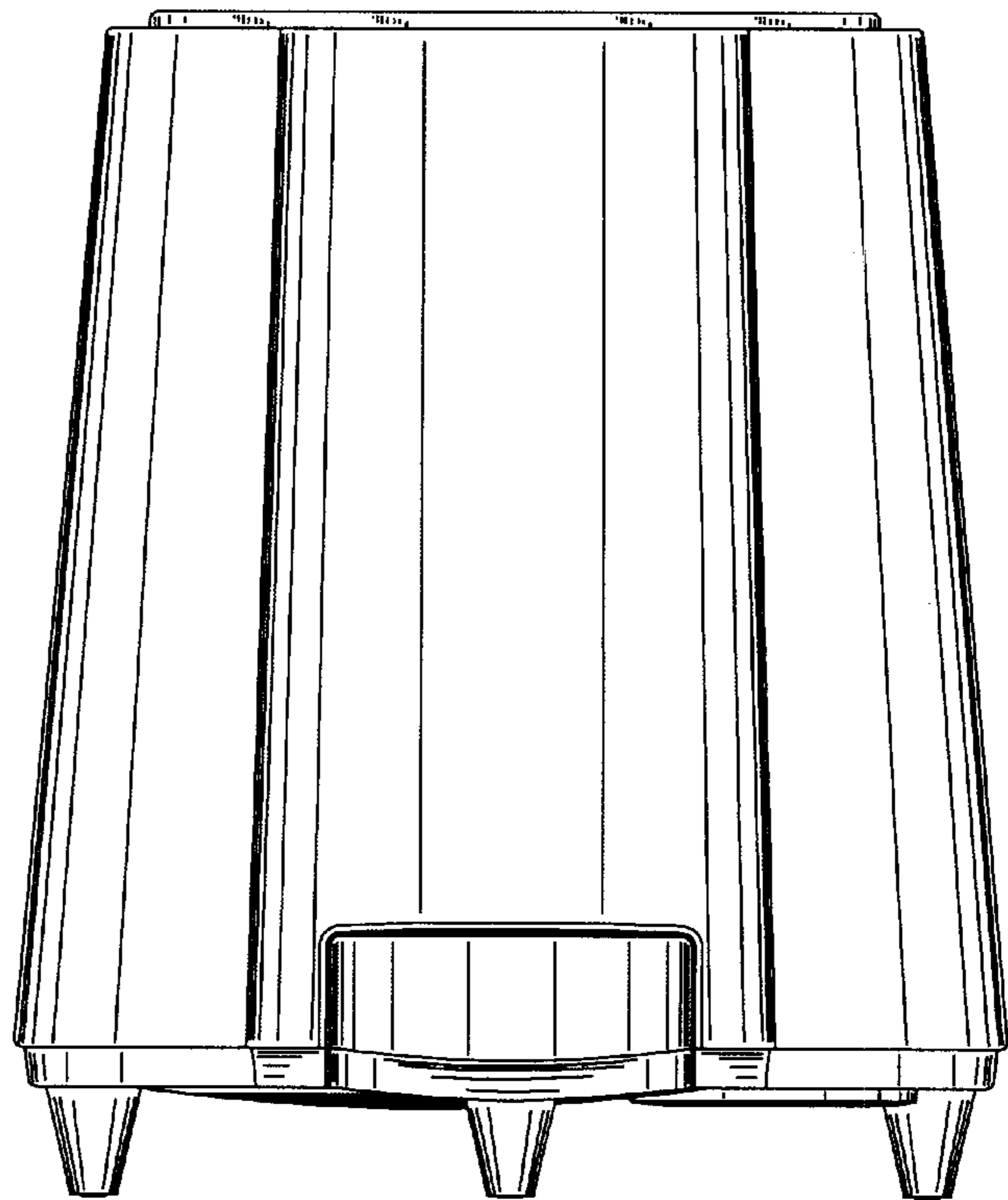


Fig. 2

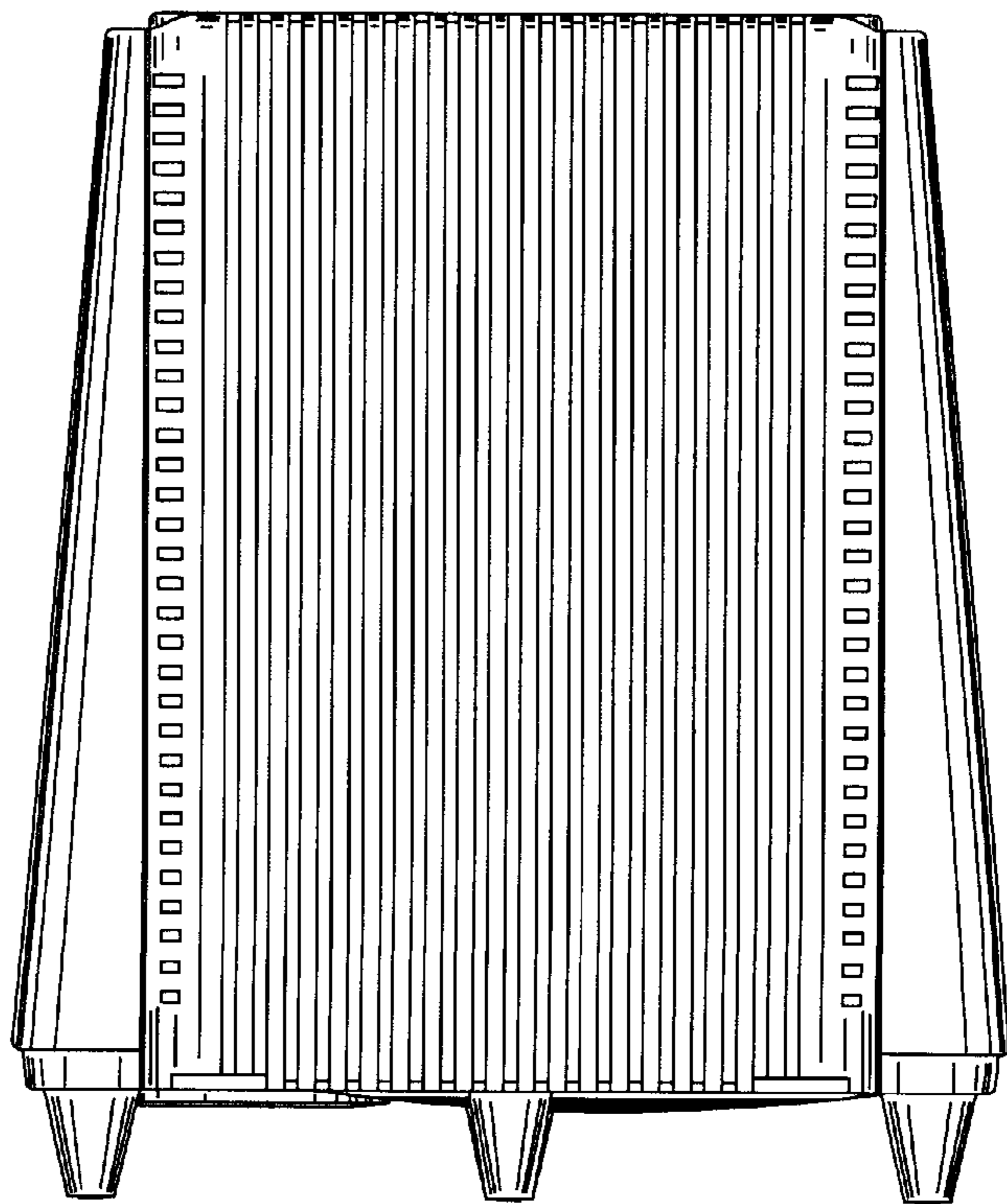


Fig. 3

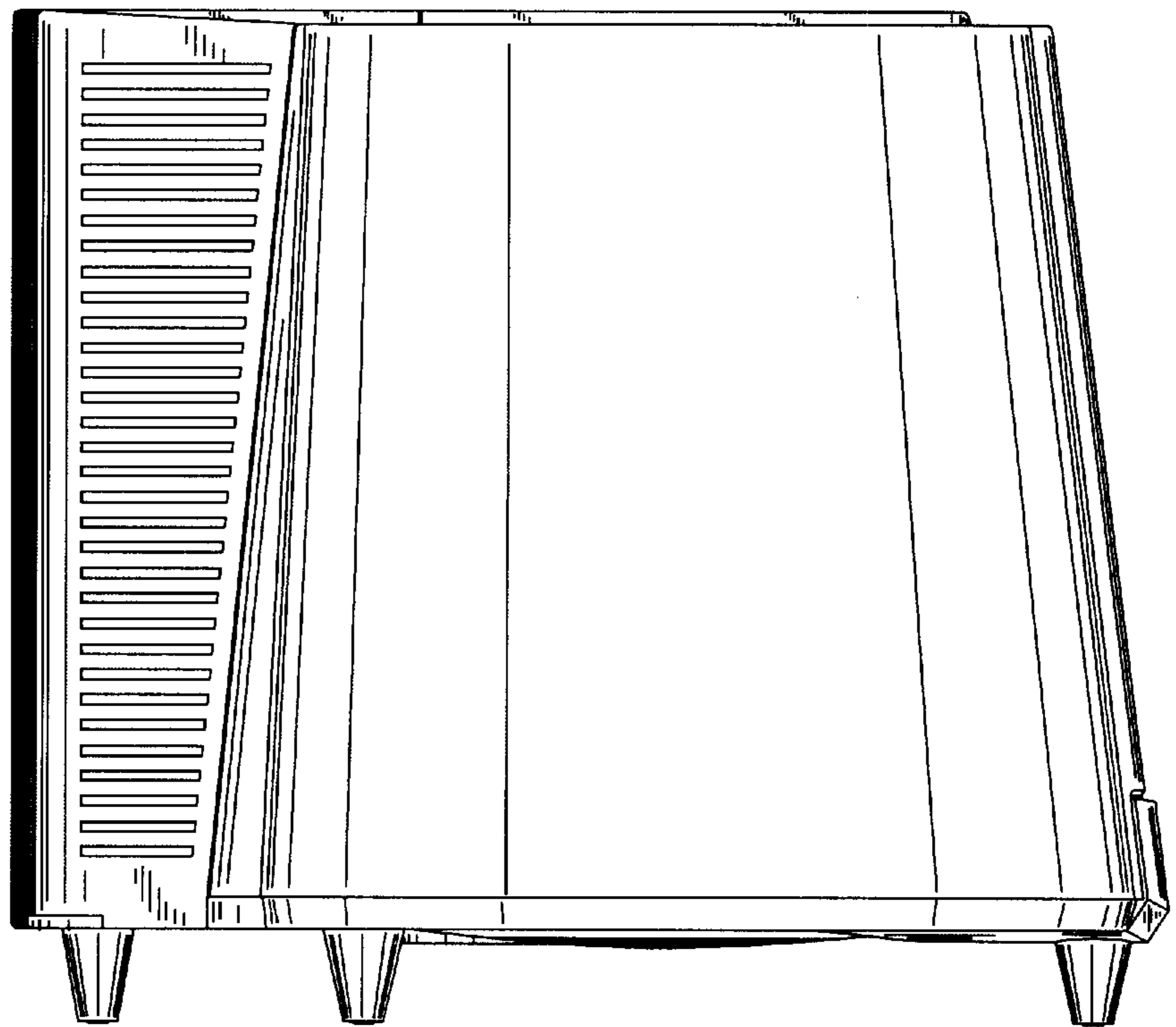


Fig. 4

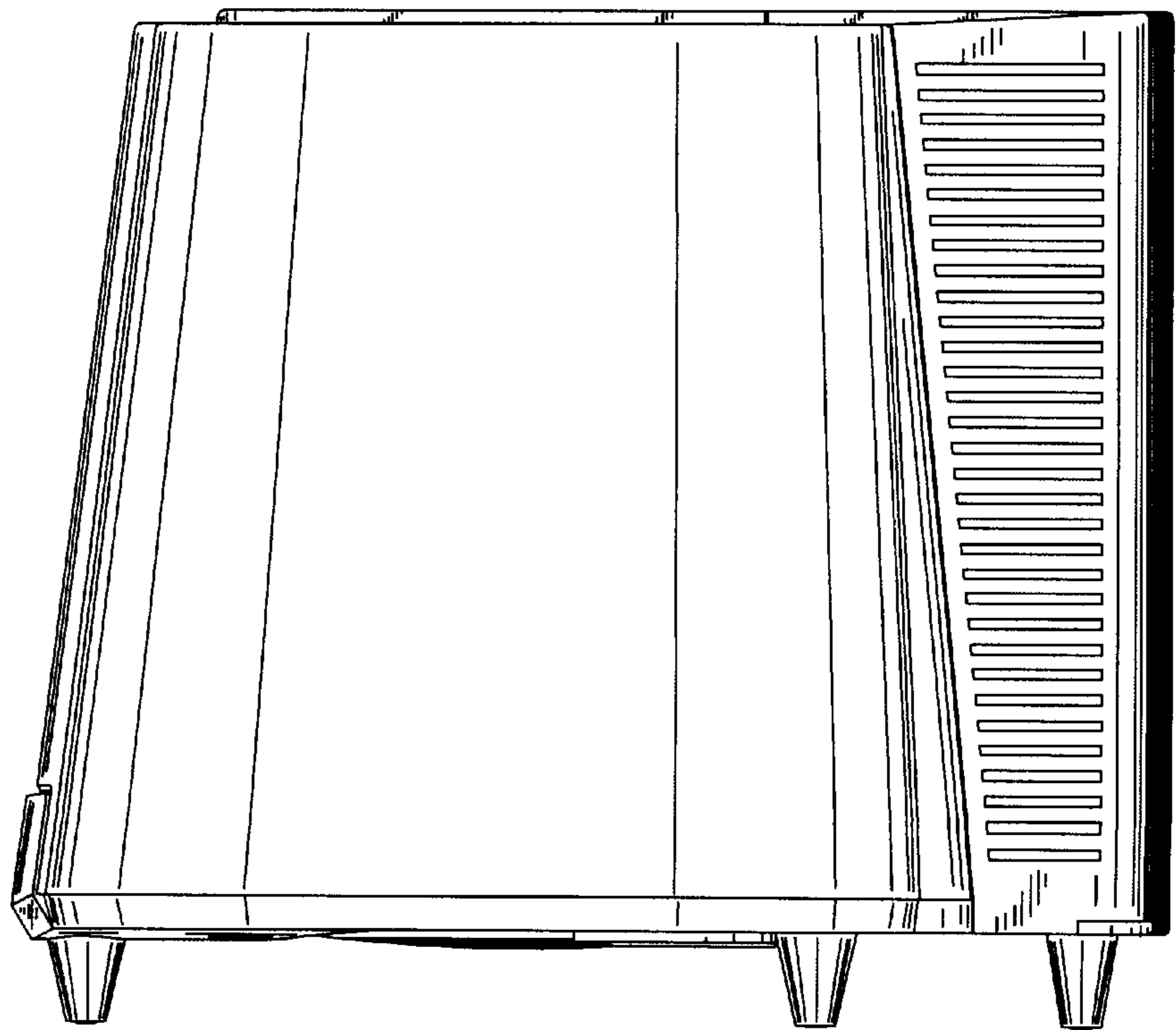


Fig. 5

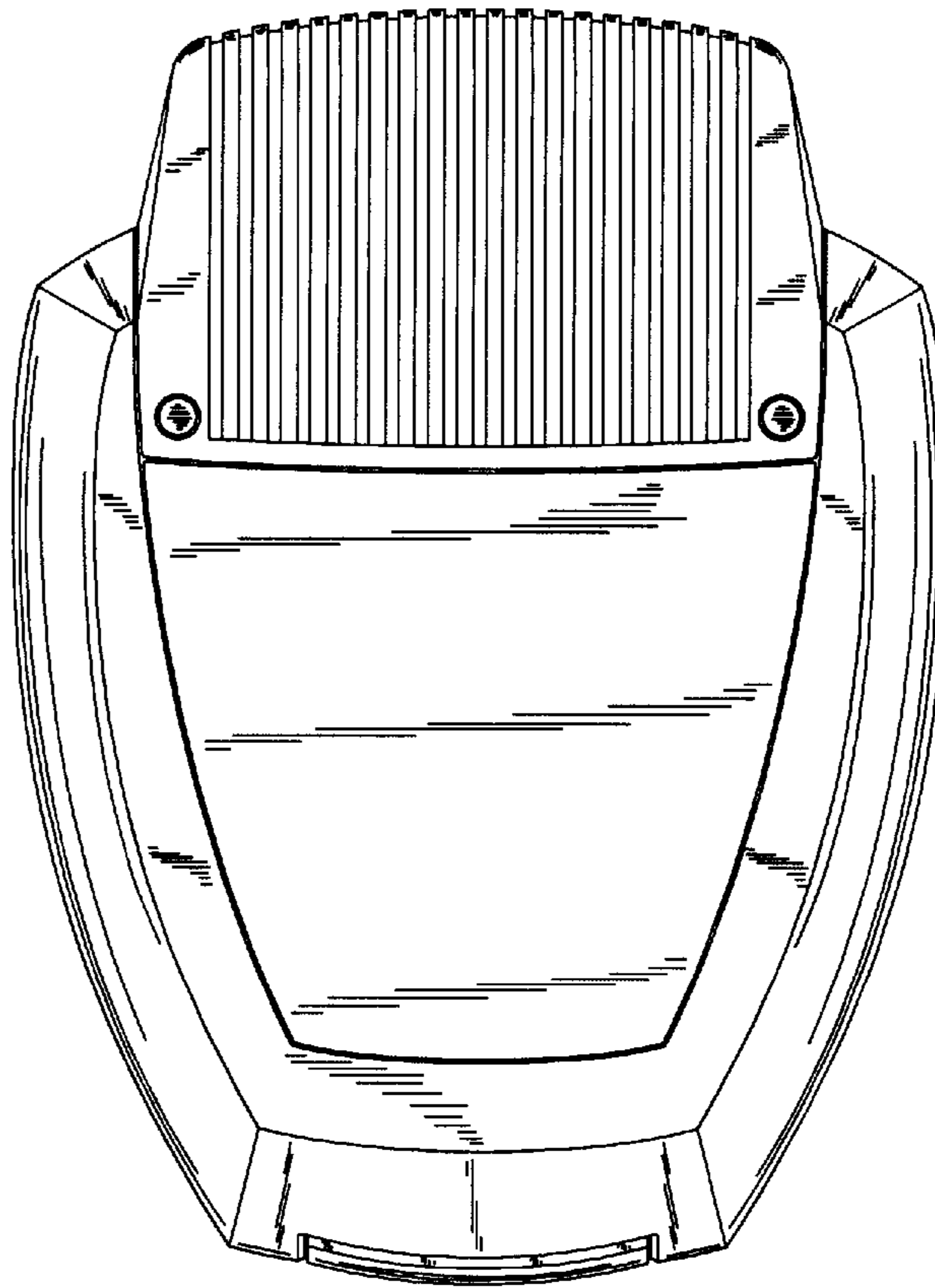


Fig. 6

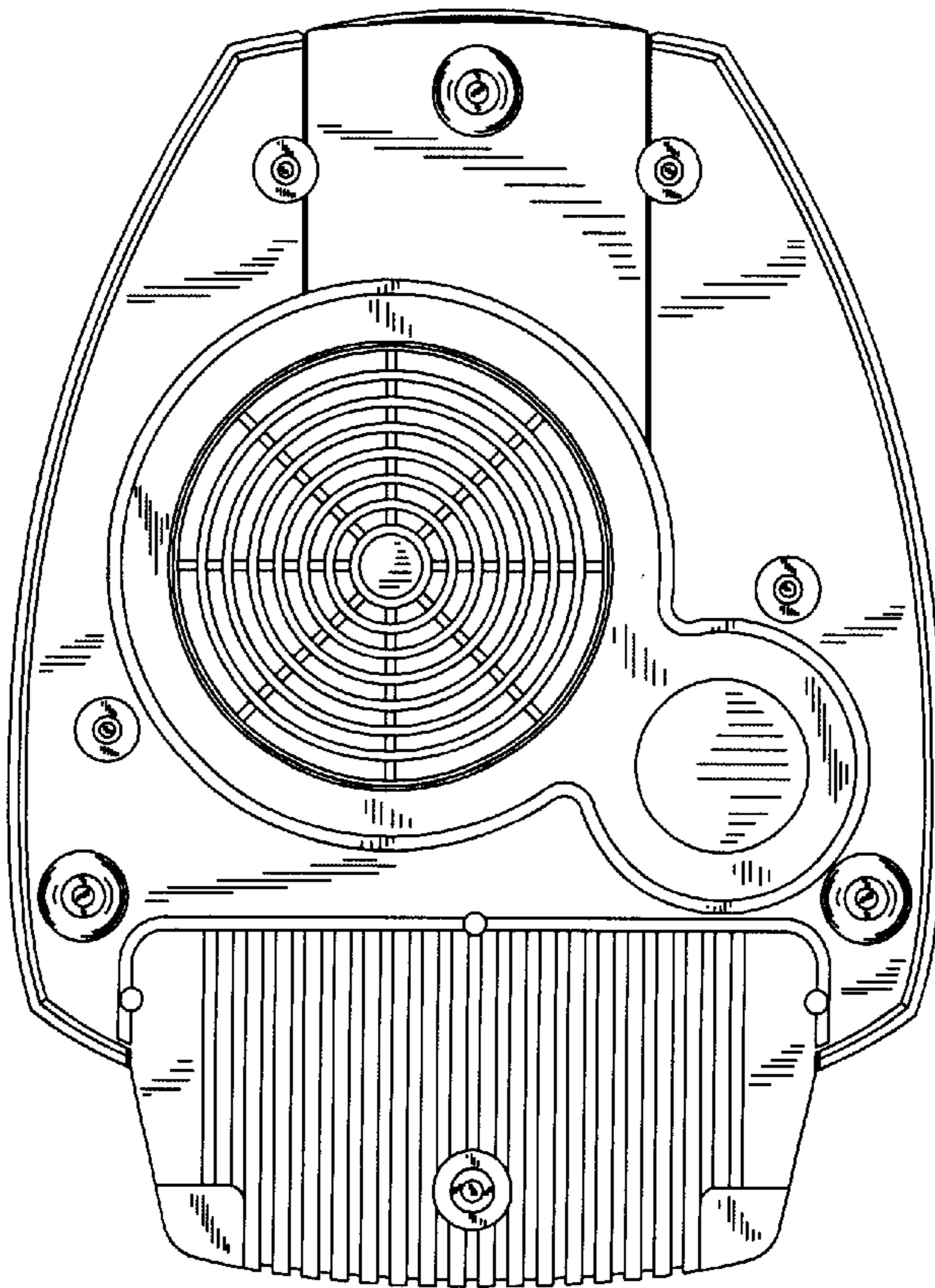


Fig. 7