



US00D468287S

(12) **United States Design Patent**
Cornelissen

(10) **Patent No.:** **US D468,287 S**

(45) **Date of Patent:** **** Jan. 7, 2003**

(54) **CENTRAL UNIT FOR CONFERENCE AND
PUBLIC ADDRESS SYSTEMS**

D349,500 S * 8/1994 Koulopoulos D14/217
D417,871 S * 12/1999 Hisatsune D14/217

(75) Inventor: **Michiel Cornelissen**, Eindhoven (NL)

* cited by examiner

(73) Assignee: **Koninklijke Philips Electronics N.V.**,
Eindhoven (NL)

Primary Examiner—Nanda Bondade

(74) *Attorney, Agent, or Firm*—Ernestine C. Bartlett

(**) Term: **14 Years**

(57) **CLAIM**

(21) Appl. No.: **29/148,068**

The ornamental design for a central unit for conference and public address systems, as shown.

(22) Filed: **Sep. 14, 2001**

(30) **Foreign Application Priority Data**

DESCRIPTION

Mar. 14, 2001 (XH) DMA 005220

FIG. 1 is a perspective view showing my design;

(51) **LOC (7) Cl.** **14-03**

FIG. 2 is a front elevational view thereof;

(52) **U.S. Cl.** **D14/185**

FIG. 3 is a rear elevational view thereof;

(58) **Field of Search** D14/135-136,
D14/156-157, 160-162, 167-168, 185,
188, 197-198, 217; 181/158, 242; 455/90,
100, 344, 347, 350, 351

FIG. 4 is a left side elevational view thereof;

FIG. 5 is a right side elevational view thereof;

FIG. 6 is a top plan view thereof; and,

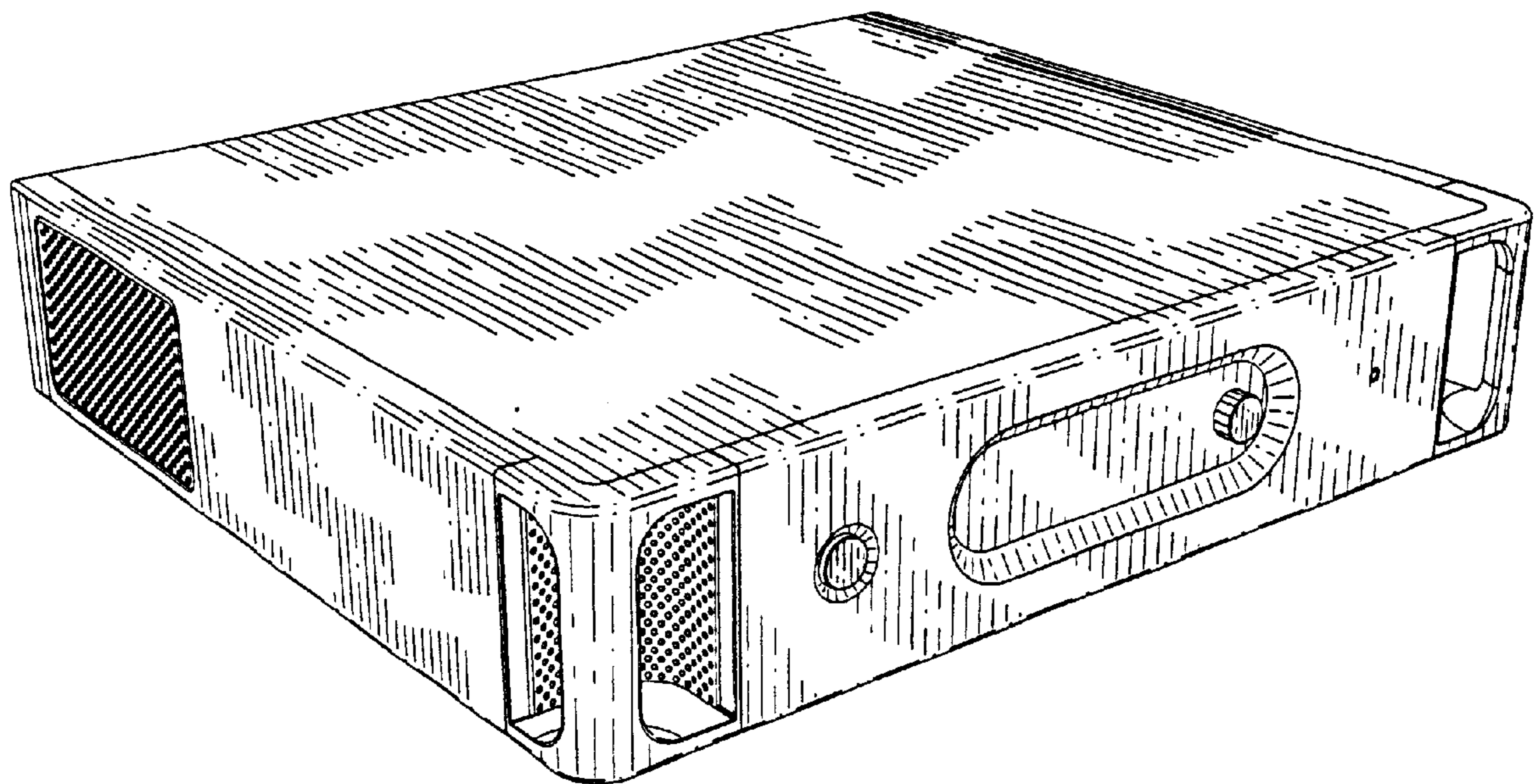
FIG. 7 is a bottom plan view thereof.

(56) **References Cited**

U.S. PATENT DOCUMENTS

D213,050 S * 12/1968 Hardy D14/185

1 Claim, 4 Drawing Sheets



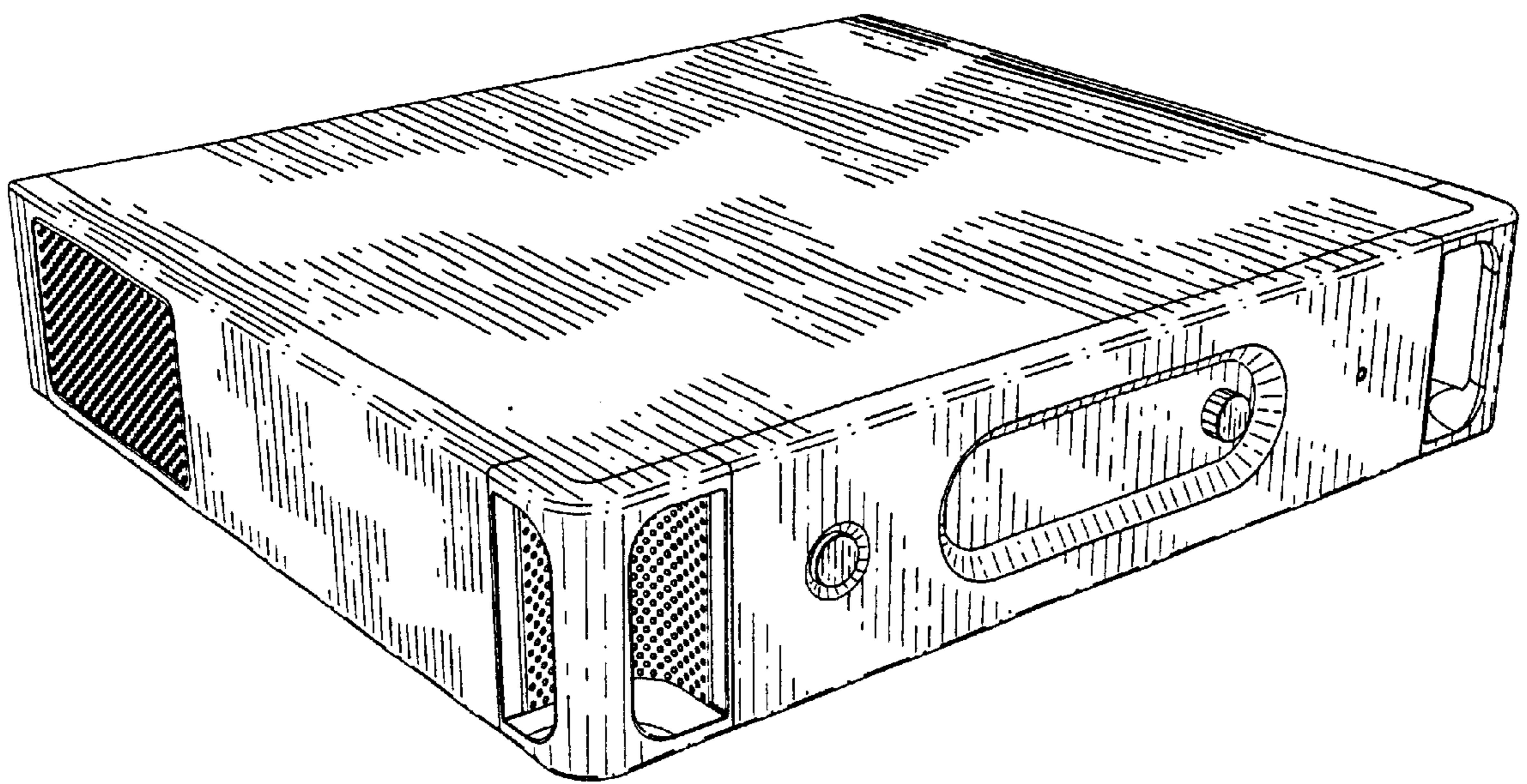


FIG. 1

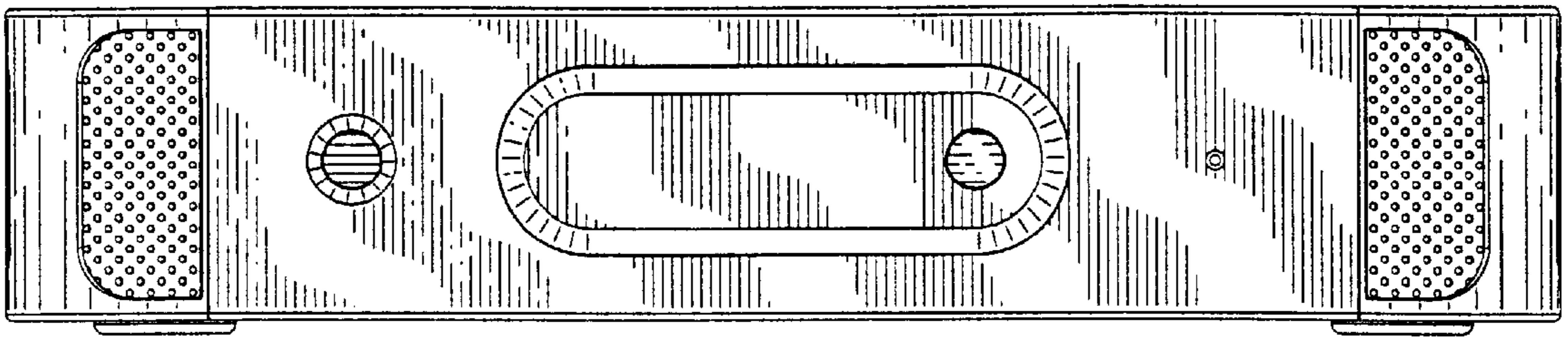


FIG. 2

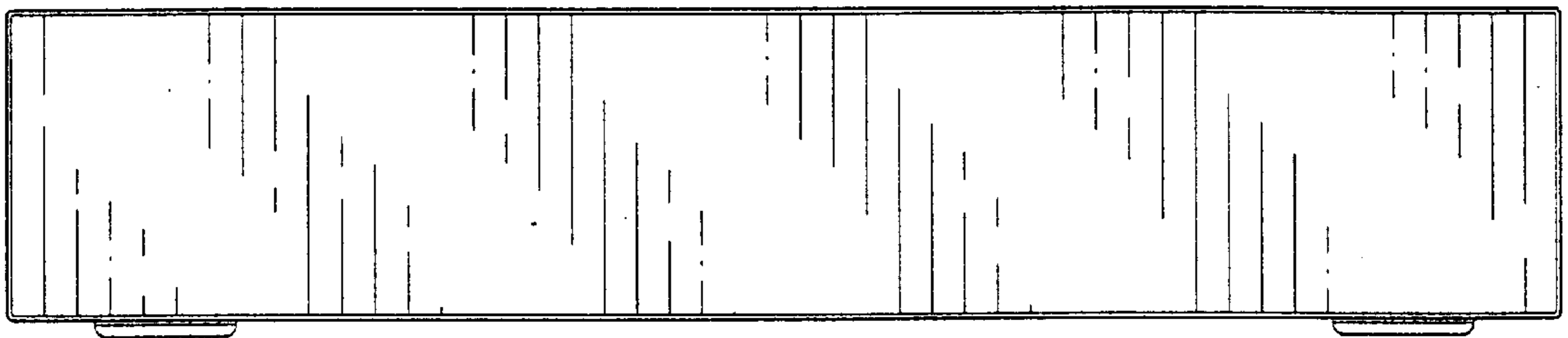


FIG. 3

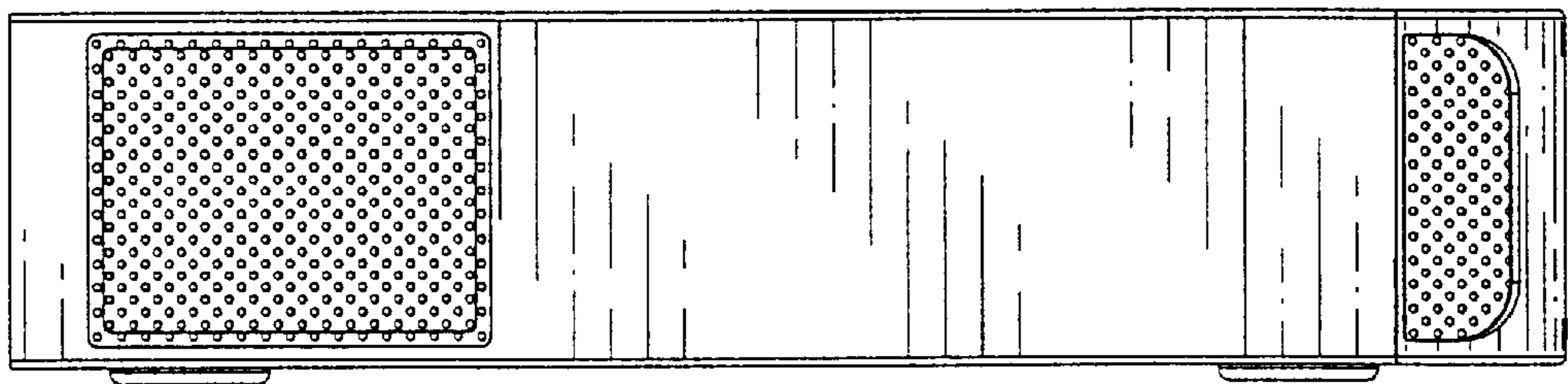


FIG. 4

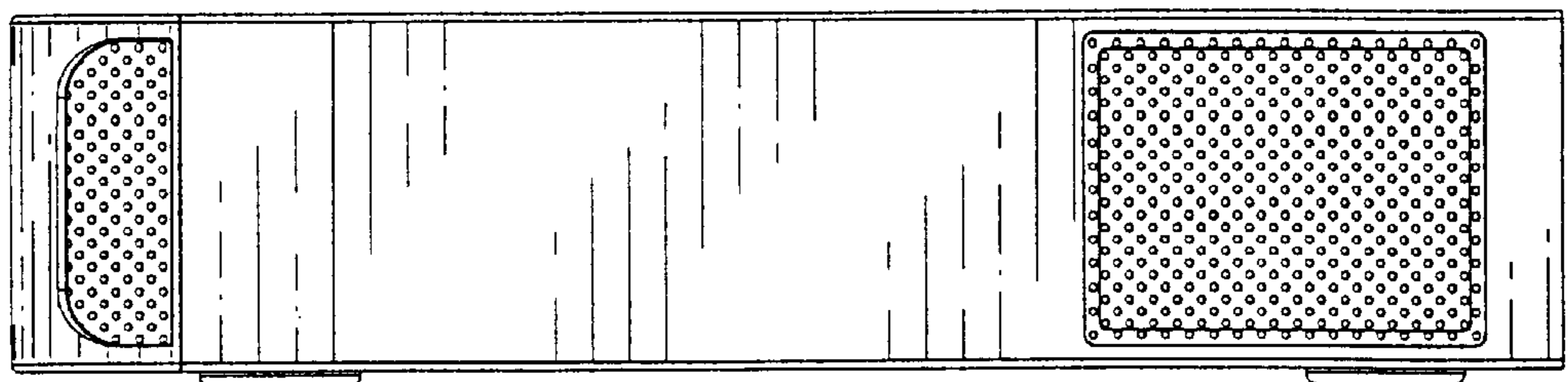


FIG. 5

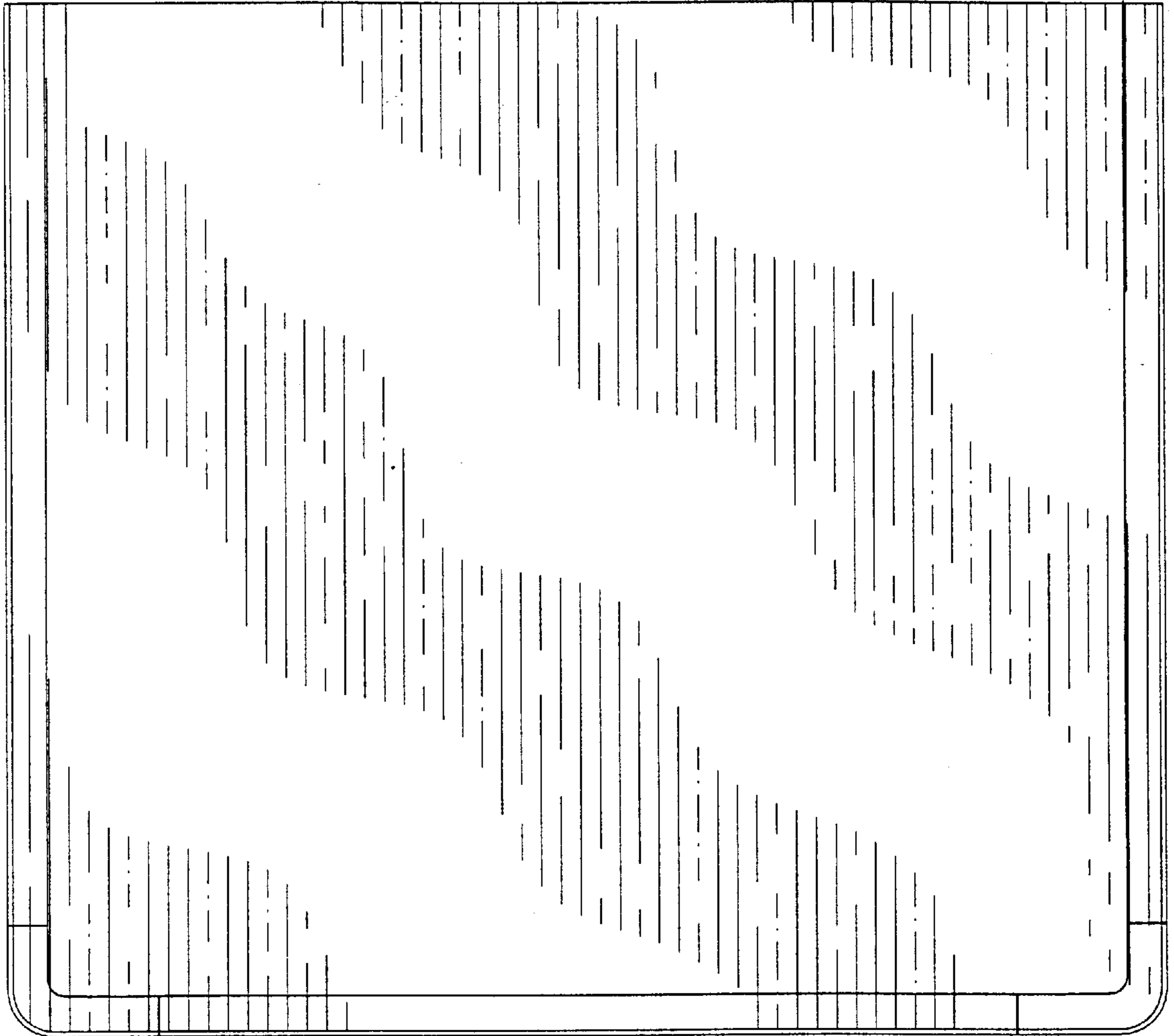


FIG. 6

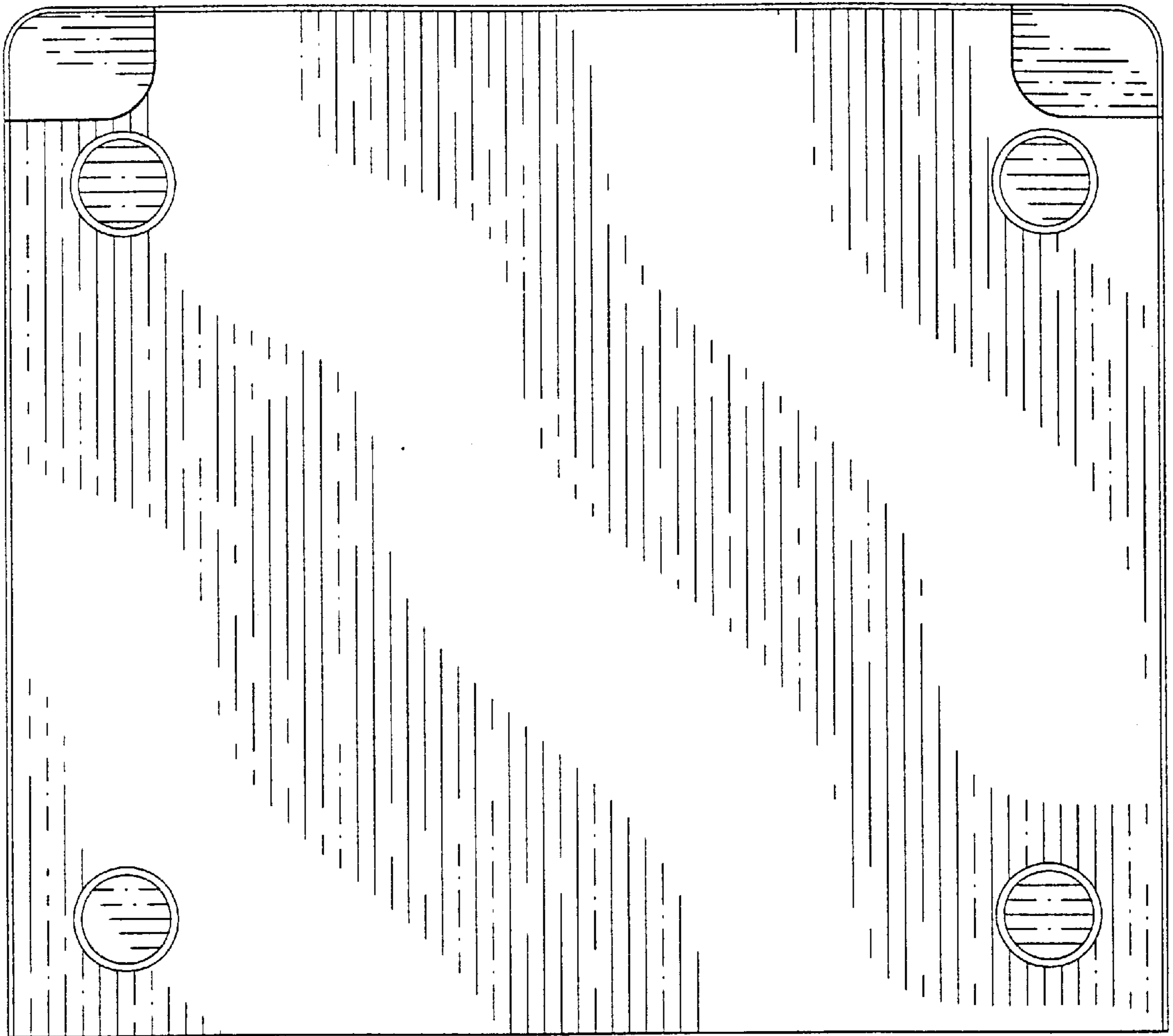


FIG. 7