



US00D468284S

(12) **United States Design Patent**
Hung

(10) **Patent No.:** **US D468,284 S**

(45) **Date of Patent:** **** Jan. 7, 2003**

(54) **MOBILE PHONE**

(76) **Inventor:** **Chin-Kuo Hung**, PMB#1008, 1867
Ygnacio Valley Rd., Walnut Creek, CA
(US) 94598-3214

(**) **Term:** **14 Years**

(21) **Appl. No.:** **29/161,981**

(22) **Filed:** **Jun. 10, 2002**

(51) **LOC (7) Cl.** **14-03**

(52) **U.S. Cl.** **D14/138**

(58) **Field of Search** D14/137, 138,
D14/218, 147-148, 247-248, 144, 341-347;
379/433.01-433.13, 419, 434, 428.01-428.04,
420.01-420.04, 440; 455/550-575, 90;
D21/517

(56) **References Cited**

U.S. PATENT DOCUMENTS

D353,809 S	*	12/1994	Nuovo et al.	D14/138
D394,433 S	*	5/1998	Lindeman et al.	D14/138
D412,704 S	*	8/1999	Vuolteenaho et al.	D14/138
D427,983 S	*	7/2000	Nagano et al.	D14/138
D433,002 S	*	10/2000	Kolinen	D14/138
D433,398 S	*	11/2000	Meyer et al.	D14/138
D434,743 S	*	12/2000	Wei	D14/138
D435,027 S	*	12/2000	Wolf et al.	D14/138
D435,247 S	*	12/2000	Chang	D14/138
D440,951 S	*	4/2001	Kolinen	D14/138
D440,952 S	*	4/2001	Carvalho	D14/138

D446,509 S	*	8/2001	Chiu	D14/138
D448,355 S	*	9/2001	Higashi et al.	D14/138
D450,671 S	*	11/2001	Langford et al.	D14/138
D455,134 S	*	4/2002	Kolinen	D14/138
D456,375 S	*	4/2002	Vuolteenaho et al.	D14/138
D458,595 S	*	6/2002	Yin et al.	D14/138
D458,912 S	*	6/2002	DeLeon	D14/138
D461,174 S	*	8/2002	Ruohonen	D14/138

OTHER PUBLICATIONS

Norway Design Publication, Skn.nr. 950502, Jul. 4, 1995.*

* cited by examiner

Primary Examiner—Jeffrey Asch

(74) *Attorney, Agent, or Firm*—Leong C. Lei

(57) **CLAIM**

The ornamental design for a mobile phone, as shown and described.

DESCRIPTION

FIG. 1 is perspective view of a mobile phone showing my new design;

FIG. 2 is a front side elevation view thereof;

FIG. 3 is a left side elevation view thereof;

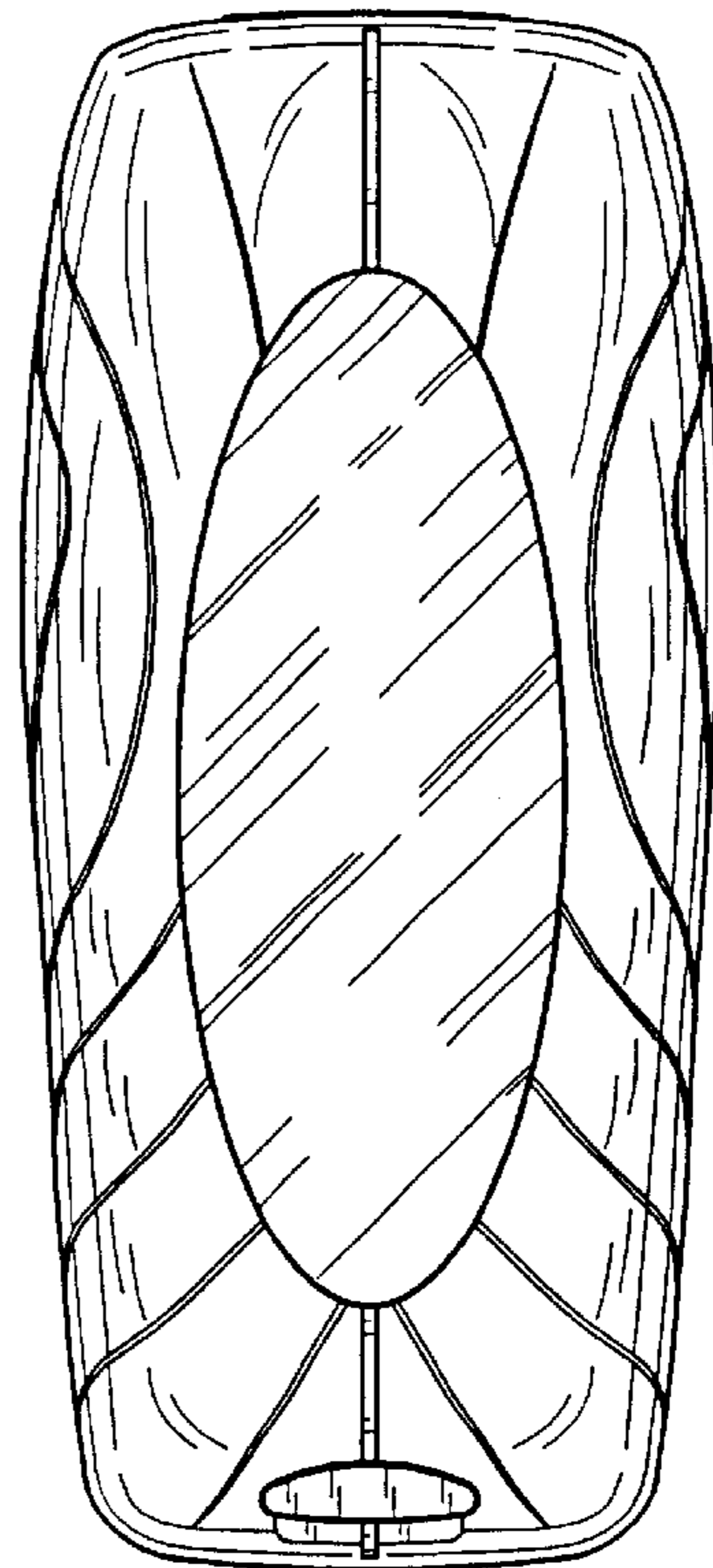
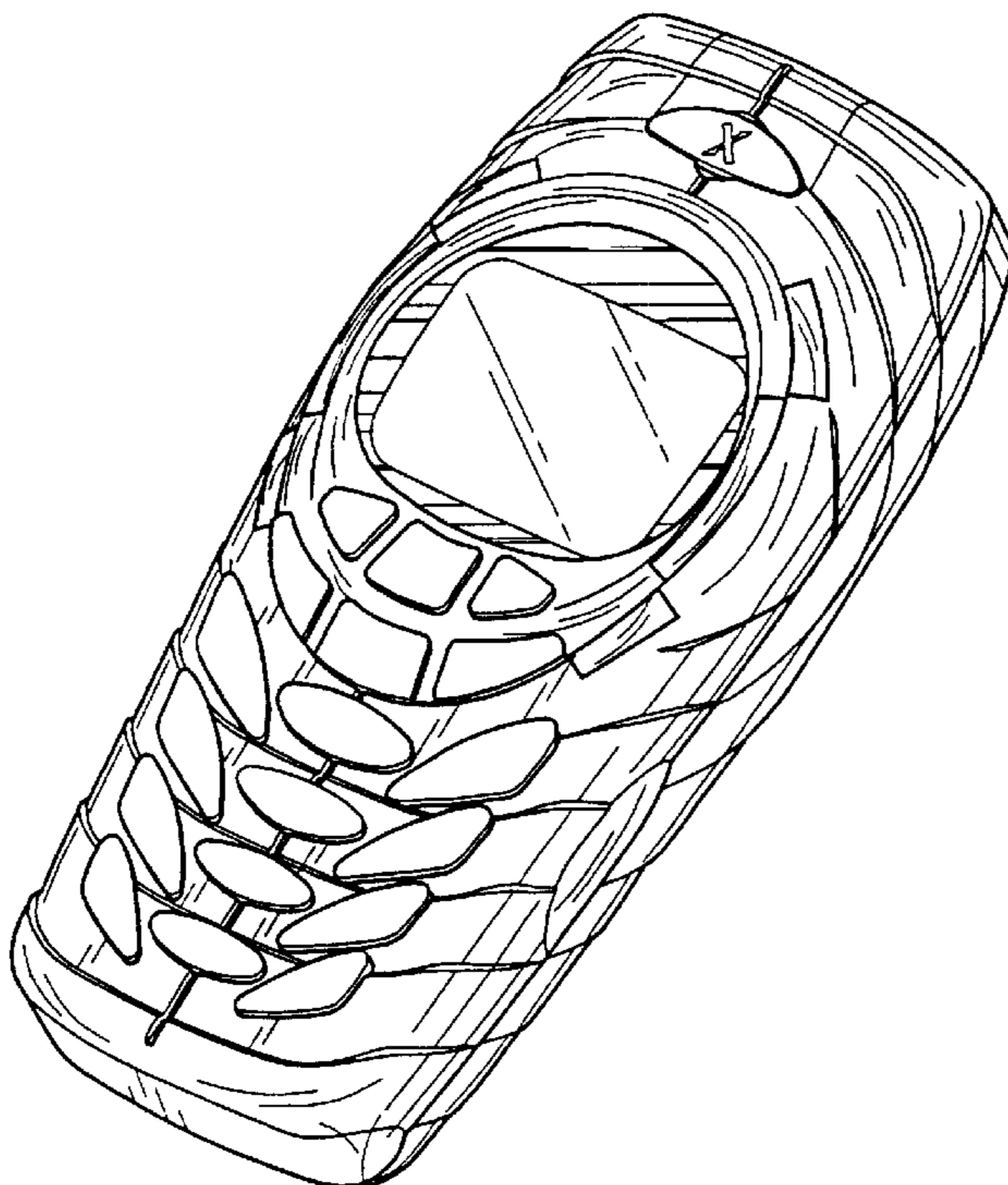
FIG. 4 is a right side elevation view thereof;

FIG. 5 is a rear side elevation view thereof;

FIG. 6 is a top plan view thereof; and,

FIG. 7 is a bottom plan view thereof.

1 Claim, 6 Drawing Sheets



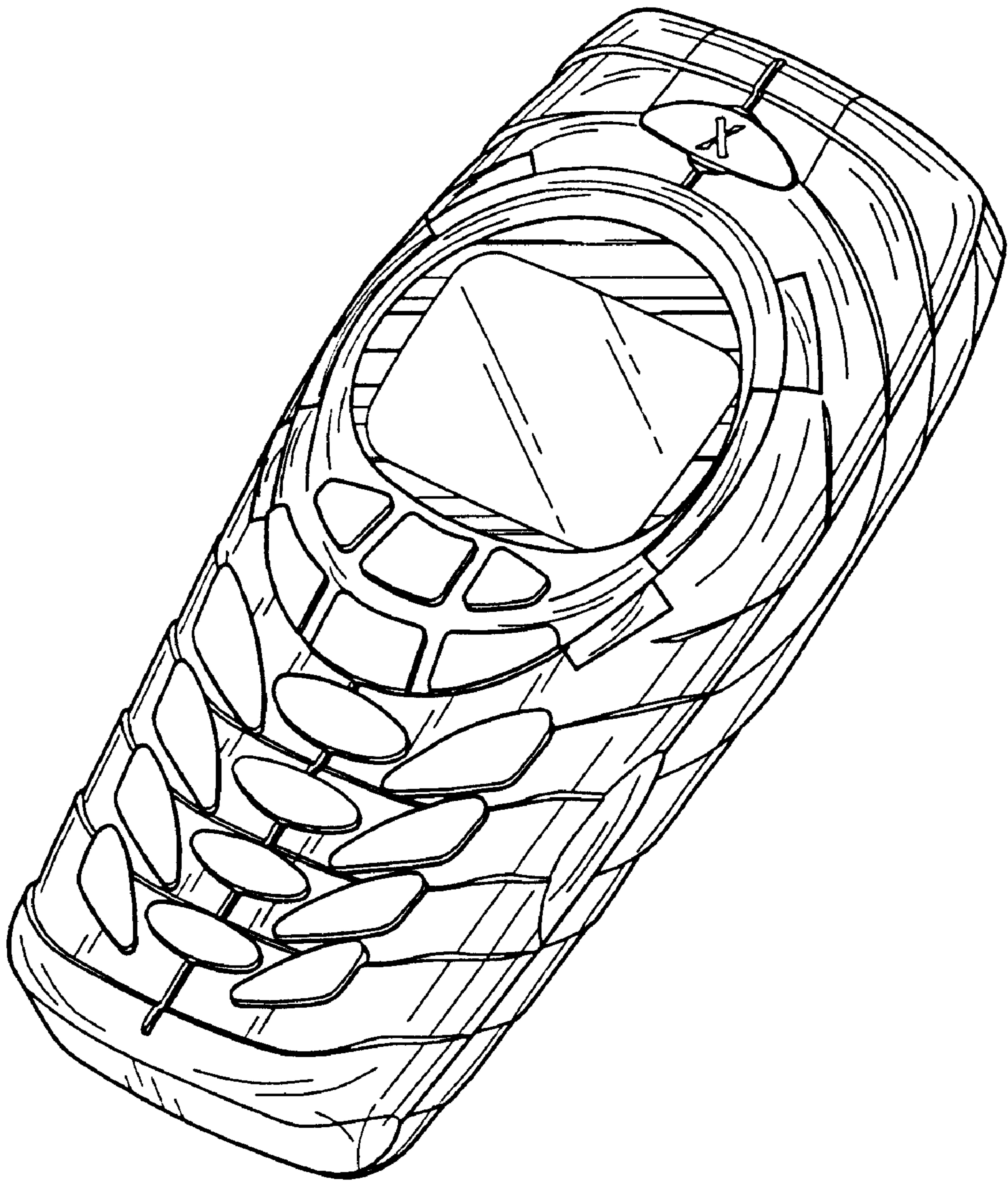


FIG. 1

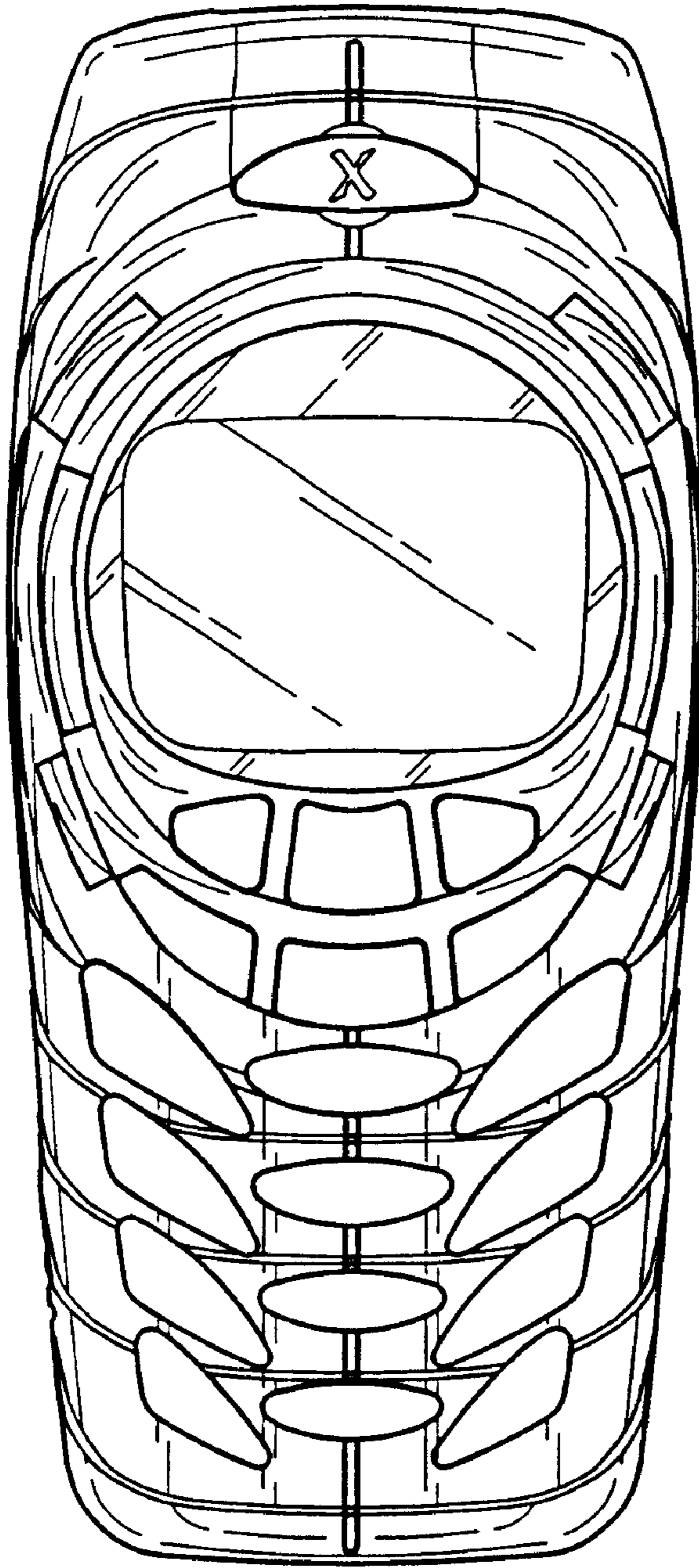


FIG. 2



FIG. 3



FIG. 4



FIG. 5

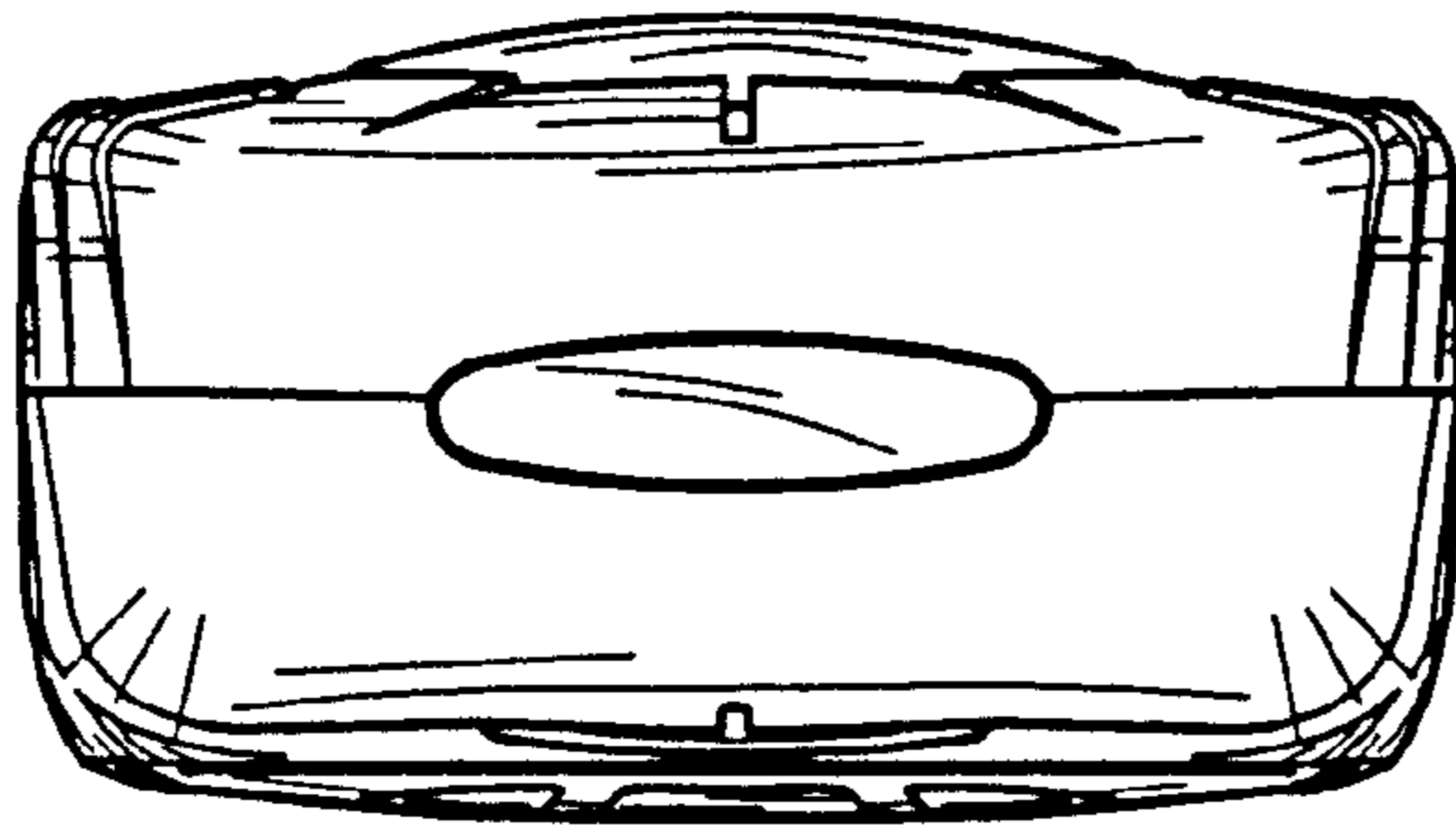


FIG. 6

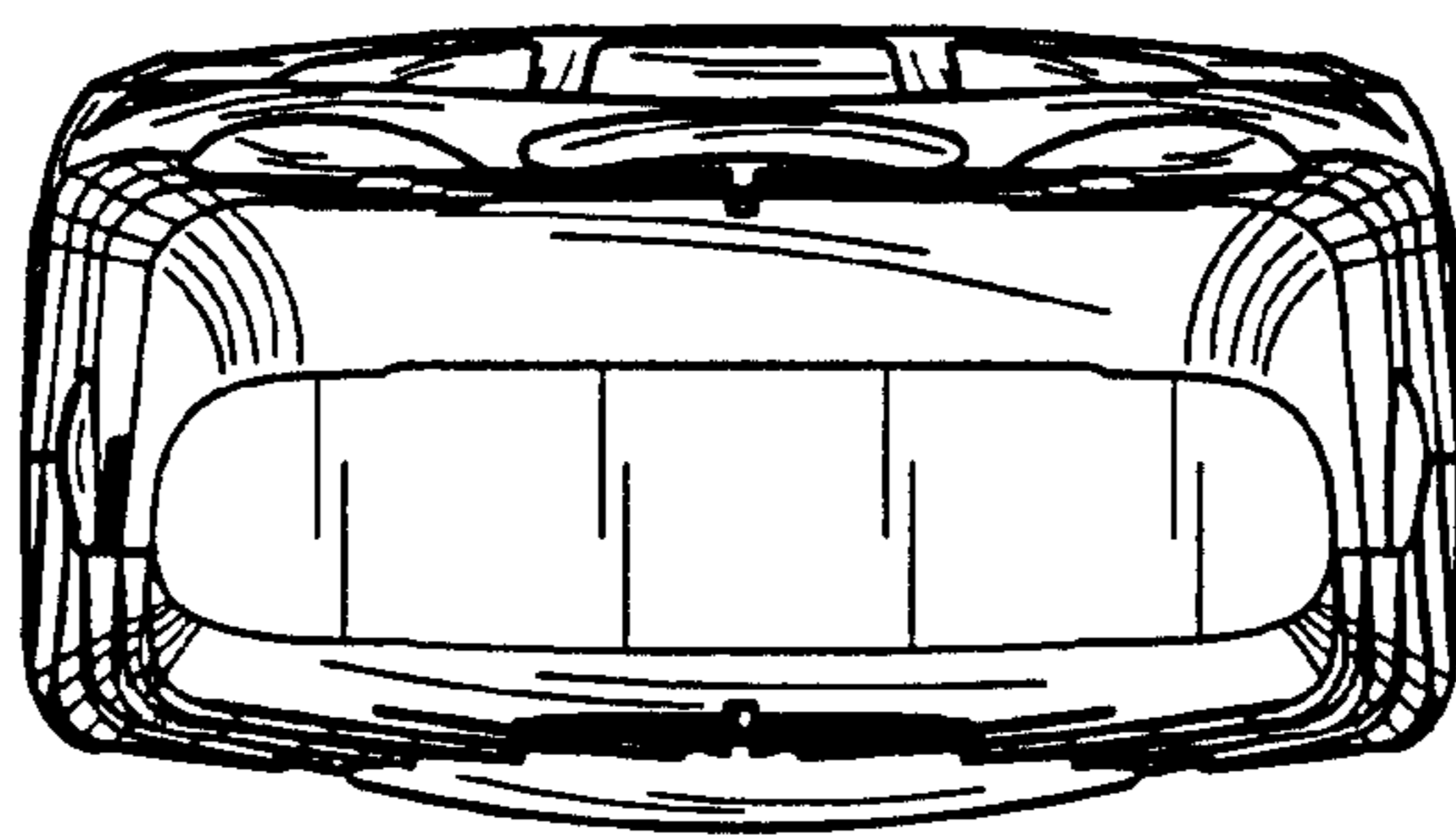


FIG. 7