



US00D468276S

(12) **United States Design Patent**
Chang

(10) **Patent No.:** **US D468,276 S**

(45) **Date of Patent:** **** Jan. 7, 2003**

(54) **HAND-HELD LCD TELEVISION**
(75) Inventor: **Steven Chang**, Chung Ho (TW)
(73) Assignee: **Punch Video Inc.**, Taipei Hsien (TW)
(**) Term: **14 Years**

D415,147 S * 10/1999 Adachi D14/126
6,020,867 A * 1/2000 Shimada et al. 345/905
D422,575 S * 4/2000 Tikhonski et al. D14/126
D438,849 S * 3/2001 Adachi et al. D14/132
D439,567 S * 3/2001 Forlenza et al. D14/129
D446,193 S * 8/2001 Lavelle et al. D14/126

* cited by examiner

(21) Appl. No.: **29/151,411**
(22) Filed: **Dec. 3, 2001**

Primary Examiner—Raphael Barkai
(74) *Attorney, Agent, or Firm*—Alan D. Kamrath; Rider, Bennett, Egan & Arundel

(51) **LOC (7) Cl.** **14-03**
(52) **U.S. Cl.** **D14/126**
(58) **Field of Search** D14/125–136,
D14/239, 371, 315, 336–355, 374–401,
496, 156; D21/329; 312/7.2; 348/825, 836,
838; 345/348, 133, 139, 905, 967, 976,
977; 240/917; 341/12; 340/700

(57) **CLAIM**

The ornamental design for a hand-held LCD television, as shown.

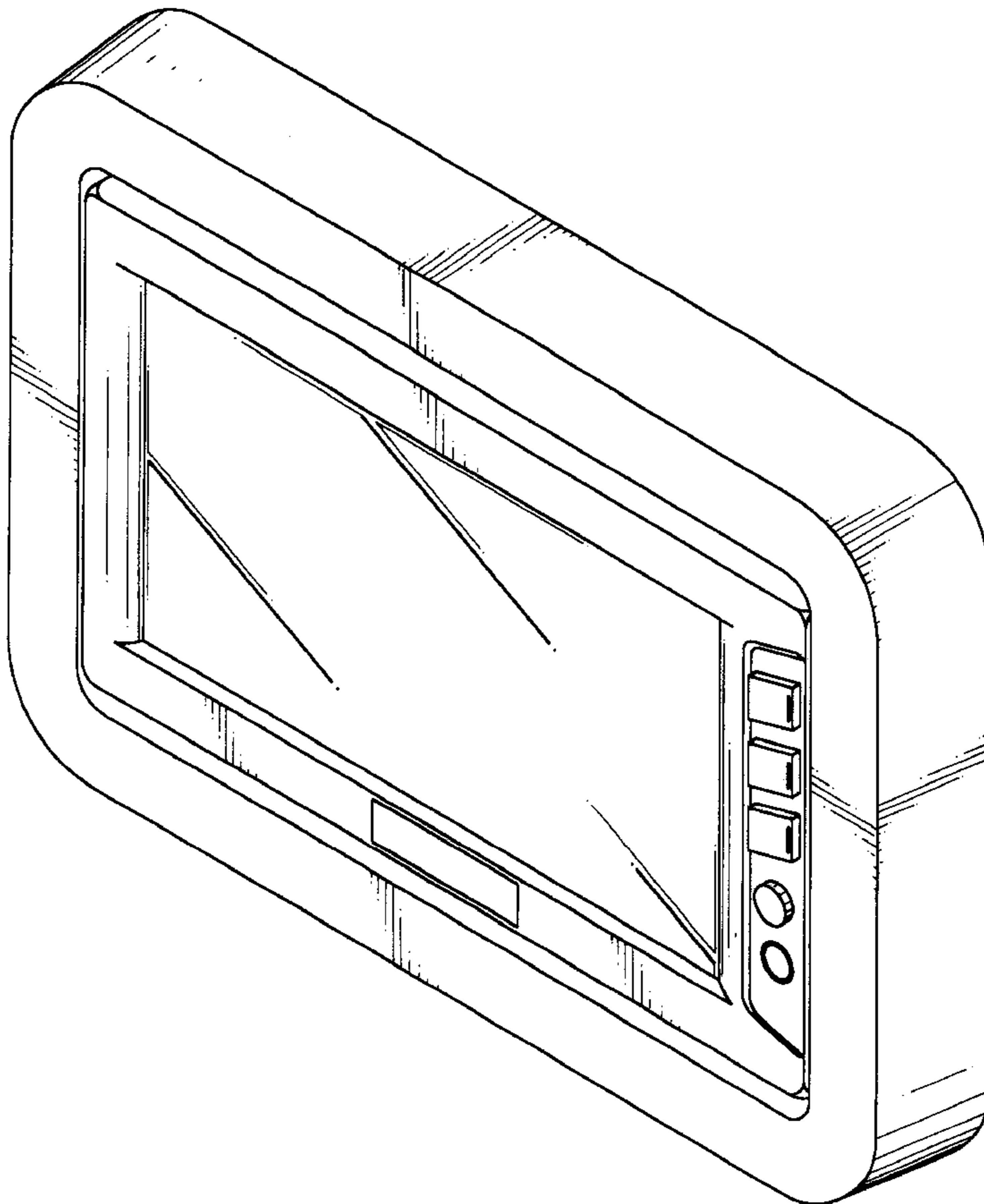
DESCRIPTION

FIG. 1 is a perspective view of a hand-held LCD television, showing my new design;
FIG. 2 is a front elevational view thereof;
FIG. 3 is a rear elevational view thereof;
FIG. 4 is a left elevational view thereof;
FIG. 5 is a right elevational view thereof;
FIG. 6 is top plan view thereof; and,
FIG. 7 is a bottom plan view thereof.

(56) **References Cited**
U.S. PATENT DOCUMENTS

D324,040 S * 2/1992 Saito et al. D14/126
5,100,098 A * 3/1992 Hawkins 248/917
5,173,686 A * 12/1992 Fujihara 340/700
D376,588 S * 12/1996 Shinano D14/126
D405,781 S * 2/1999 Renk D21/329

1 Claim, 4 Drawing Sheets



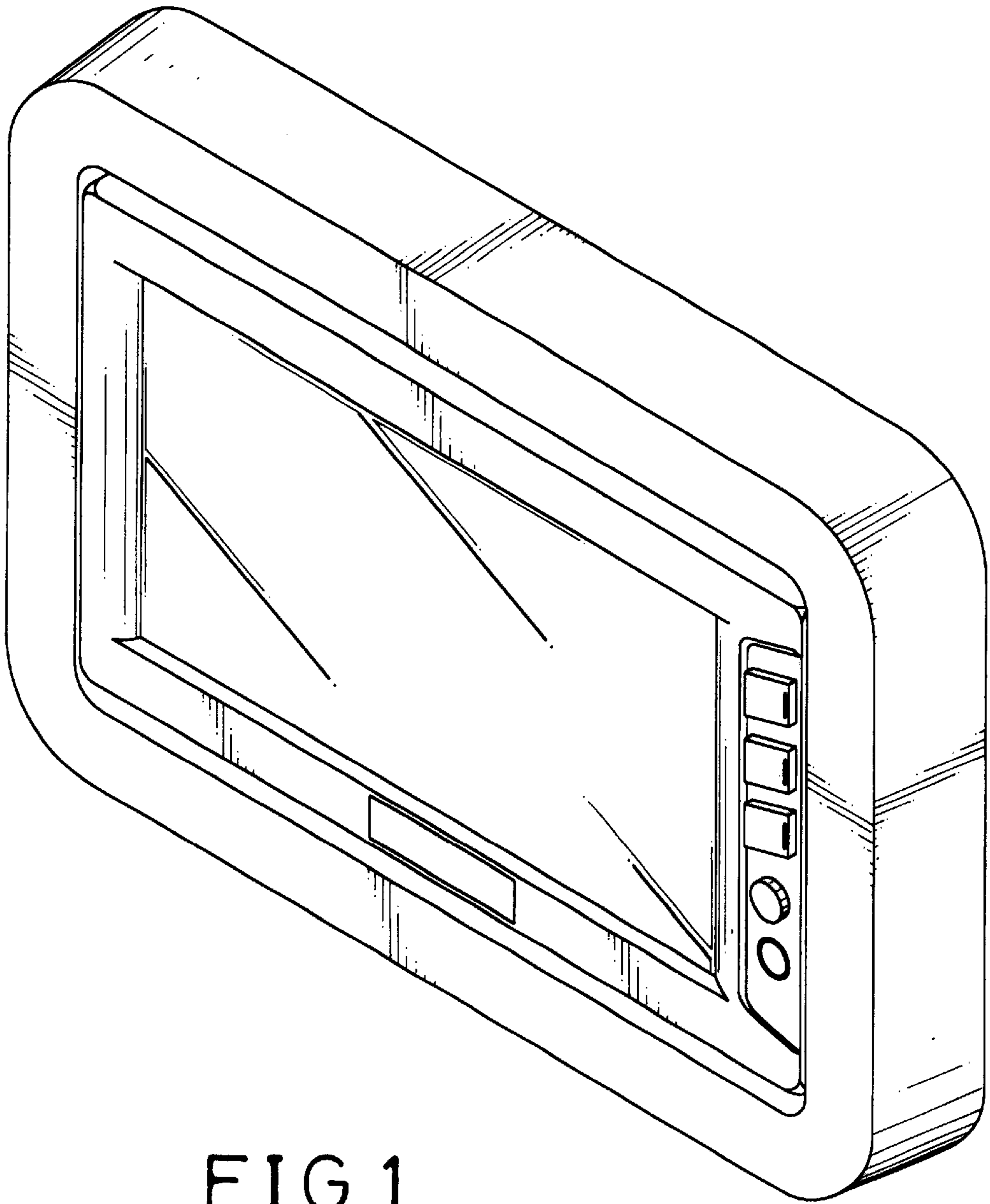


FIG. 1

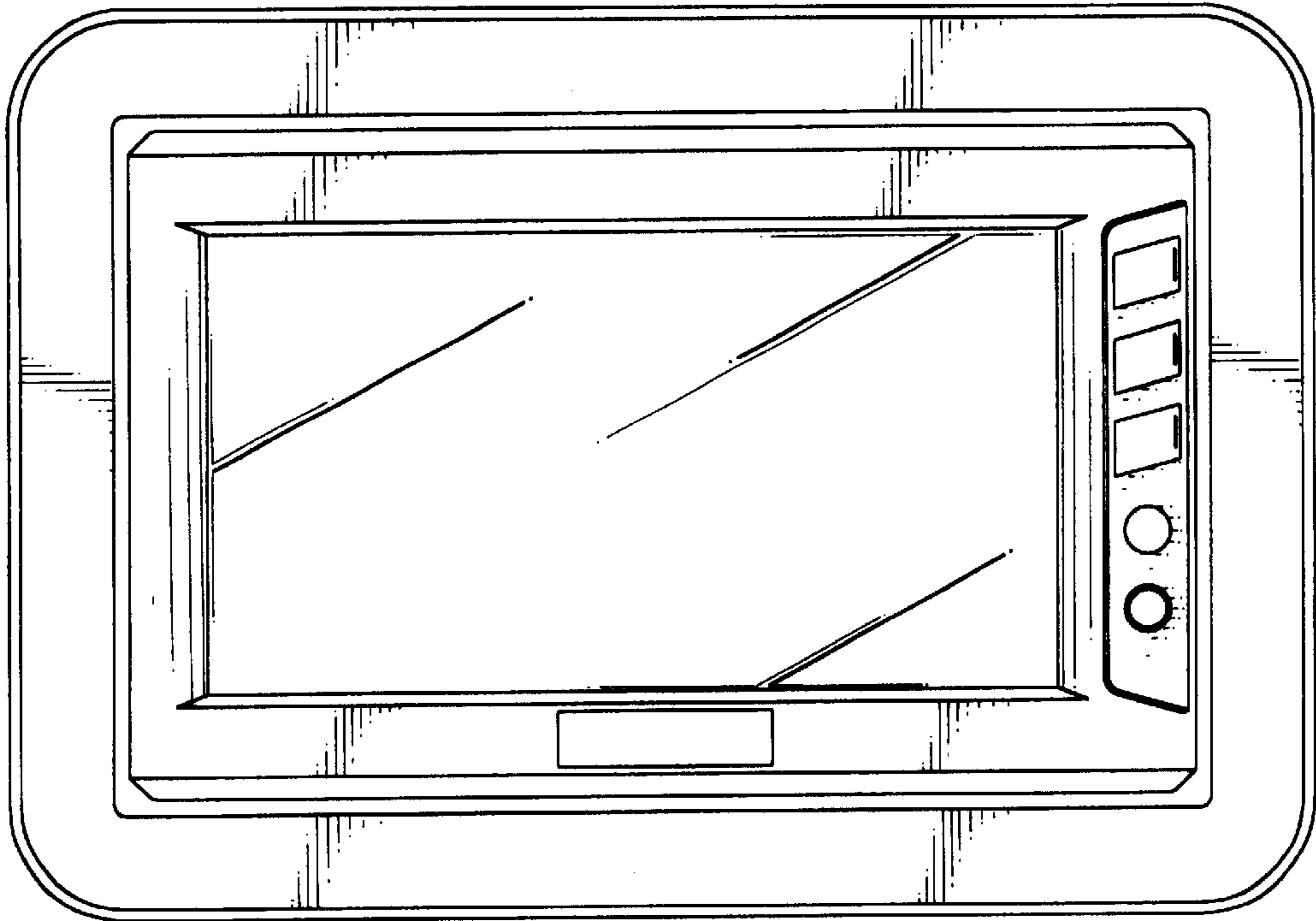


FIG. 2

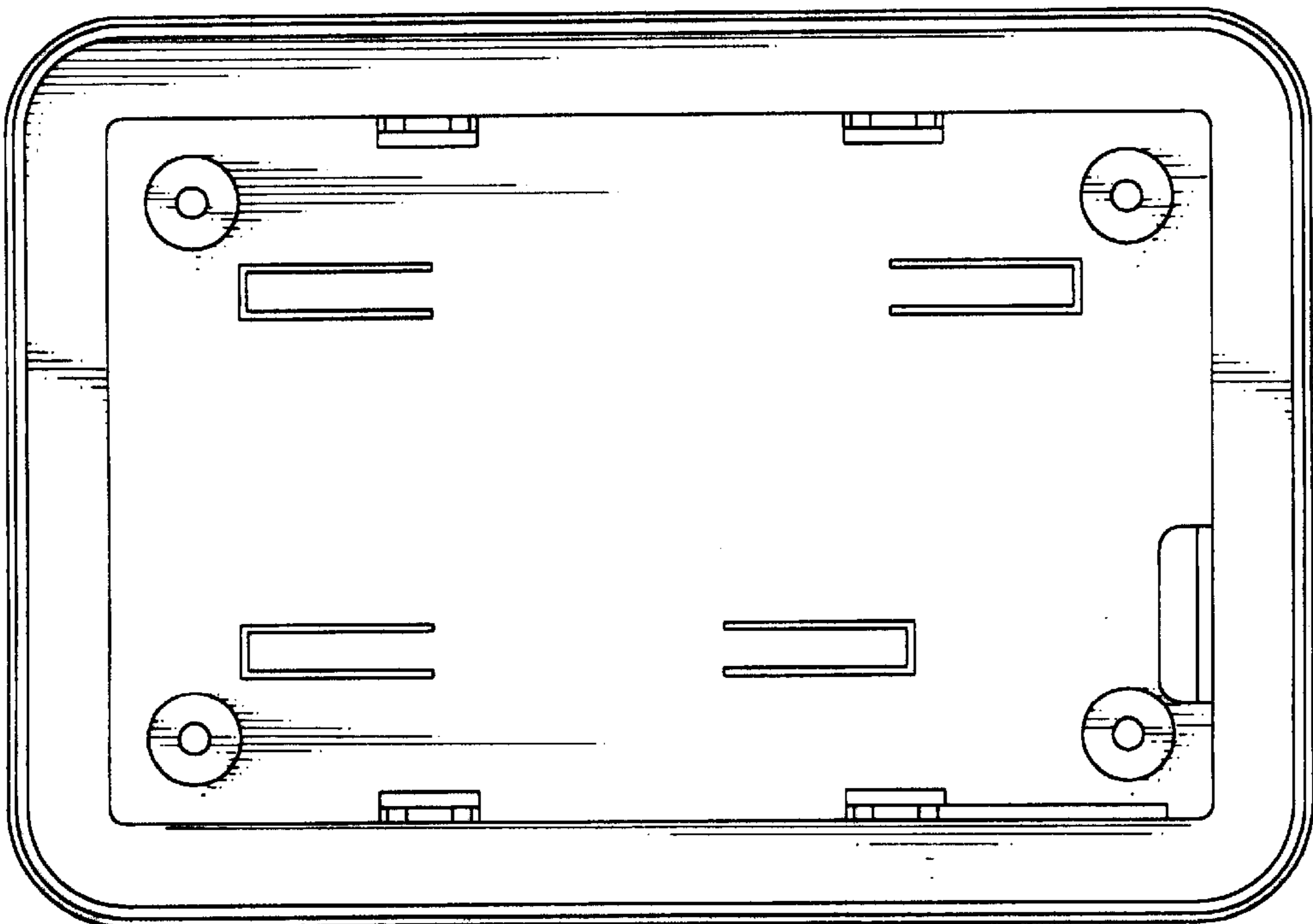


FIG. 3

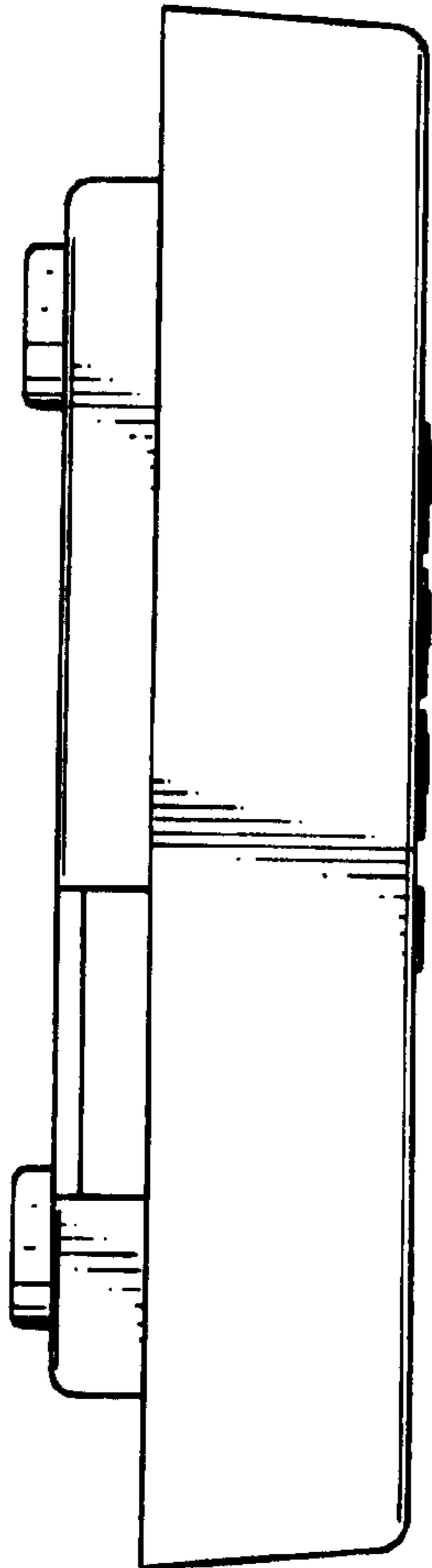


FIG. 4

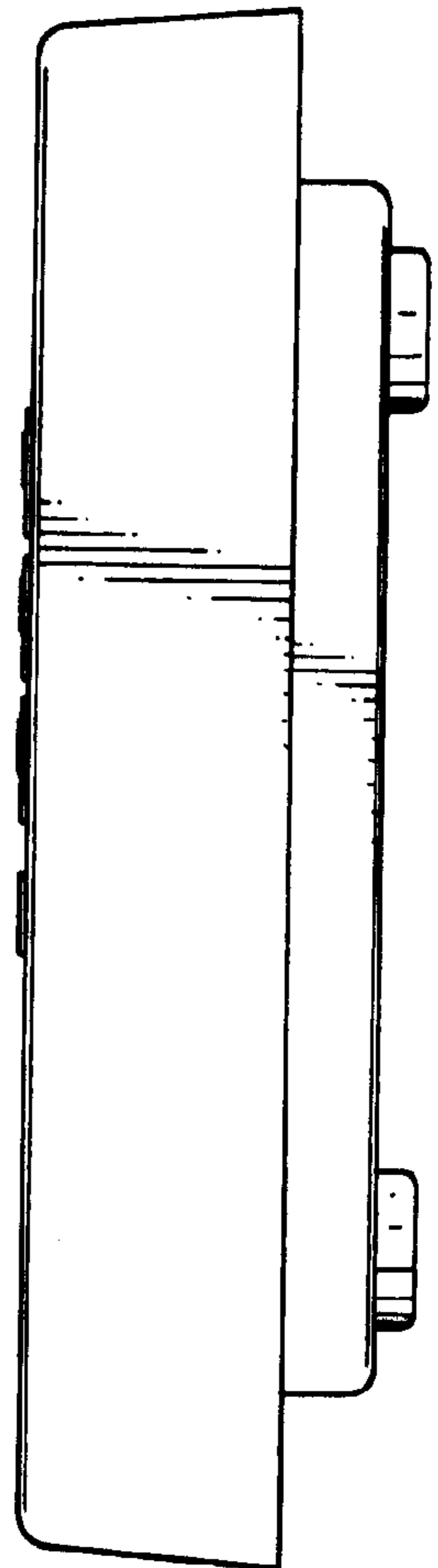


FIG. 5

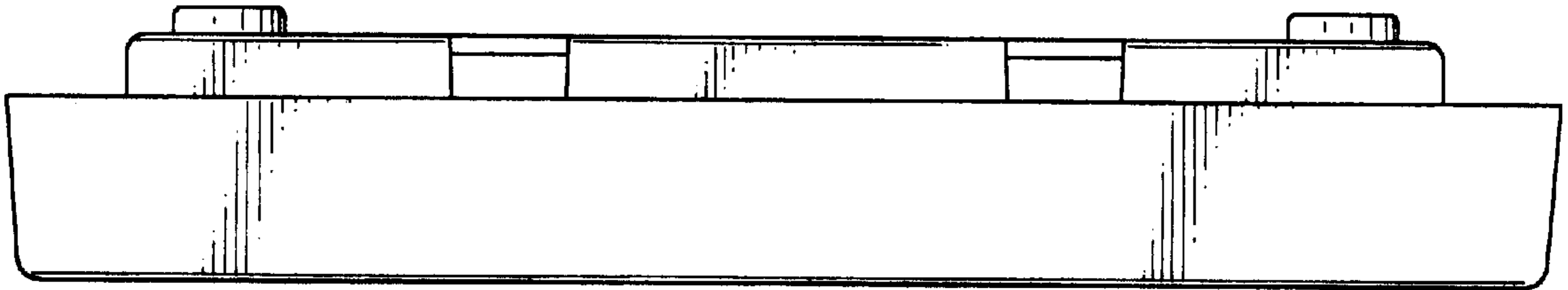


FIG. 6

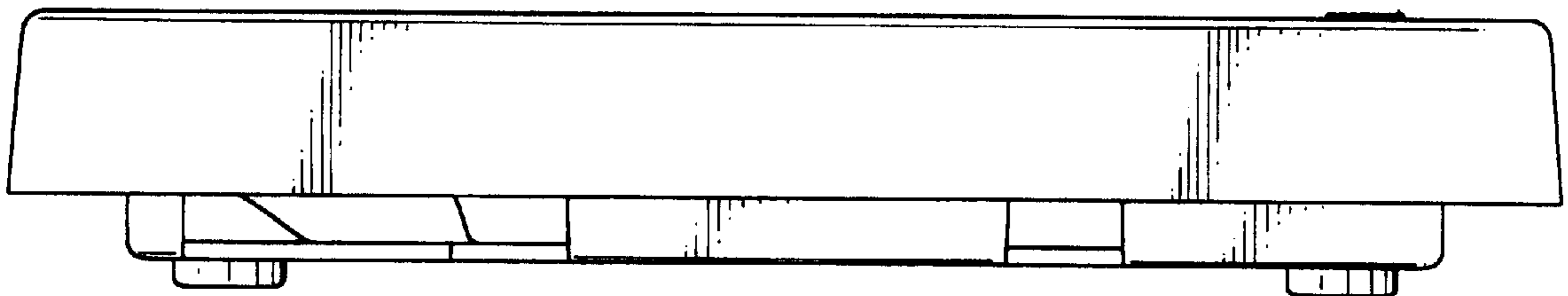


FIG. 7