



US00D468271S

(12) **United States Design Patent**
Renne et al.

(10) **Patent No.: US D468,271 S**

(45) **Date of Patent: ** Jan. 7, 2003**

(54) **CIRCUIT BREAKER FACE**

(75) Inventors: **Scott Wayne Renne**, Bellingham, WA (US); **Kevin Lowell Lacy**, Bellingham, WA (US); **Porter Hoagland, Jr.**, West Mystic, CT (US)

(73) Assignee: **Blue Sea Systems**, Bellingham, WA (US)

(**) Term: **14 Years**

5,021,761 A	6/1991	Stack et al.	337/68
D321,339 S	11/1991	Stack et al.	D13/160
D322,960 S	1/1992	Stack et al.	D13/160
D357,669 S	4/1995	Stack et al.	D13/178
5,607,047 A	3/1997	Leet et al.	200/303
5,694,106 A	12/1997	Wang	337/79
5,902,973 A	5/1999	Ramey et al.	200/50.01
6,015,956 A	1/2000	Green	200/43.14
6,144,001 A	11/2000	Green et al.	200/304
6,192,718 B1	2/2001	Bollinger, Jr. et al.	70/2
6,194,983 B1	2/2001	Bogdon et al.	335/68
6,275,126 B1	8/2001	Martelli et al.	335/202

(21) Appl. No.: **29/159,766**
(22) Filed: **Apr. 26, 2002**

Primary Examiner—Ted Shooman
Assistant Examiner—Selina Sikder
(74) *Attorney, Agent, or Firm*—Brian L. Johnson; George C. Rondeau, Jr.; Davis Wright Tremaine LLP

Related U.S. Application Data

(62) Division of application No. 29/140,862, filed on Apr. 25, 2001.
(51) **LOC (7) Cl. 13-03**
(52) **U.S. Cl. D13/160**
(58) **Field of Search D13/158, 160, D13/178, 184; 200/43.01, 43.16, 293, 293.1, 294, 308, 302.3, 318.2, 330, 329; 335/68, 73; 337/33, 35, 60, 66, 67, 68, 91**

(57) **CLAIM**

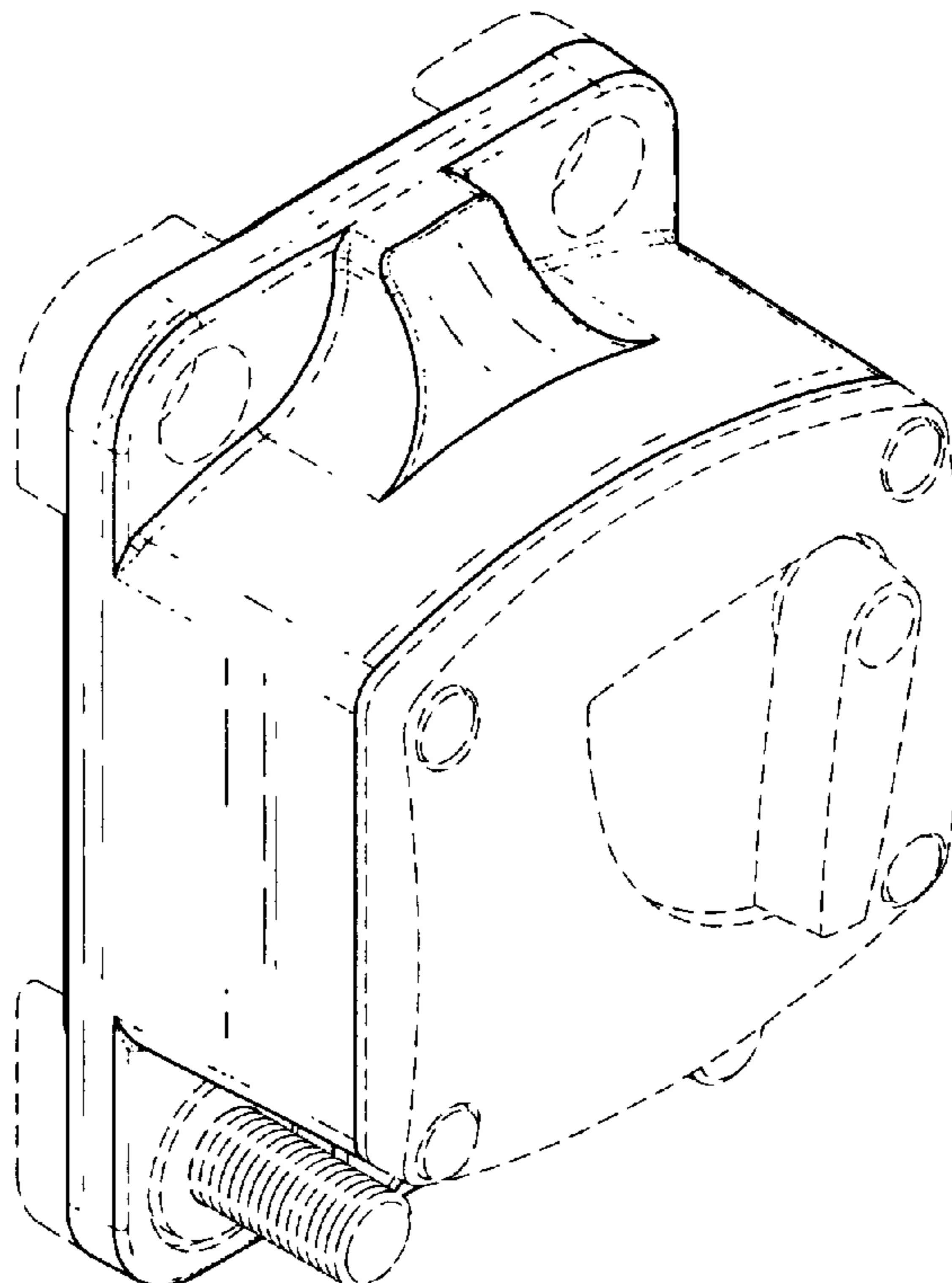
The ornamental design for a circuit breaker face, as shown and described.

DESCRIPTION

FIG. 1 is an isometric view of a circuit breaker face showing my new design;
FIG. 2 is a front elevation view thereof.
FIG. 3 is a bottom plan view thereof.
FIG. 4 is a left side elevation view thereof.
FIG. 5 is a top plan view thereof.
FIG. 6 is a right side elevation view thereof; and,
FIG. 7 is a rear elevation view thereof.
The broken lines are for illustrative purposes only and form no part of the claimed design.

(56) **References Cited**
U.S. PATENT DOCUMENTS
2,620,409 A 2/1952 Cobb et al. 200/11 EA
3,980,845 A 9/1976 Gryctko et al. 200/50.15
4,531,174 A 7/1985 Rickmann

1 Claim, 4 Drawing Sheets



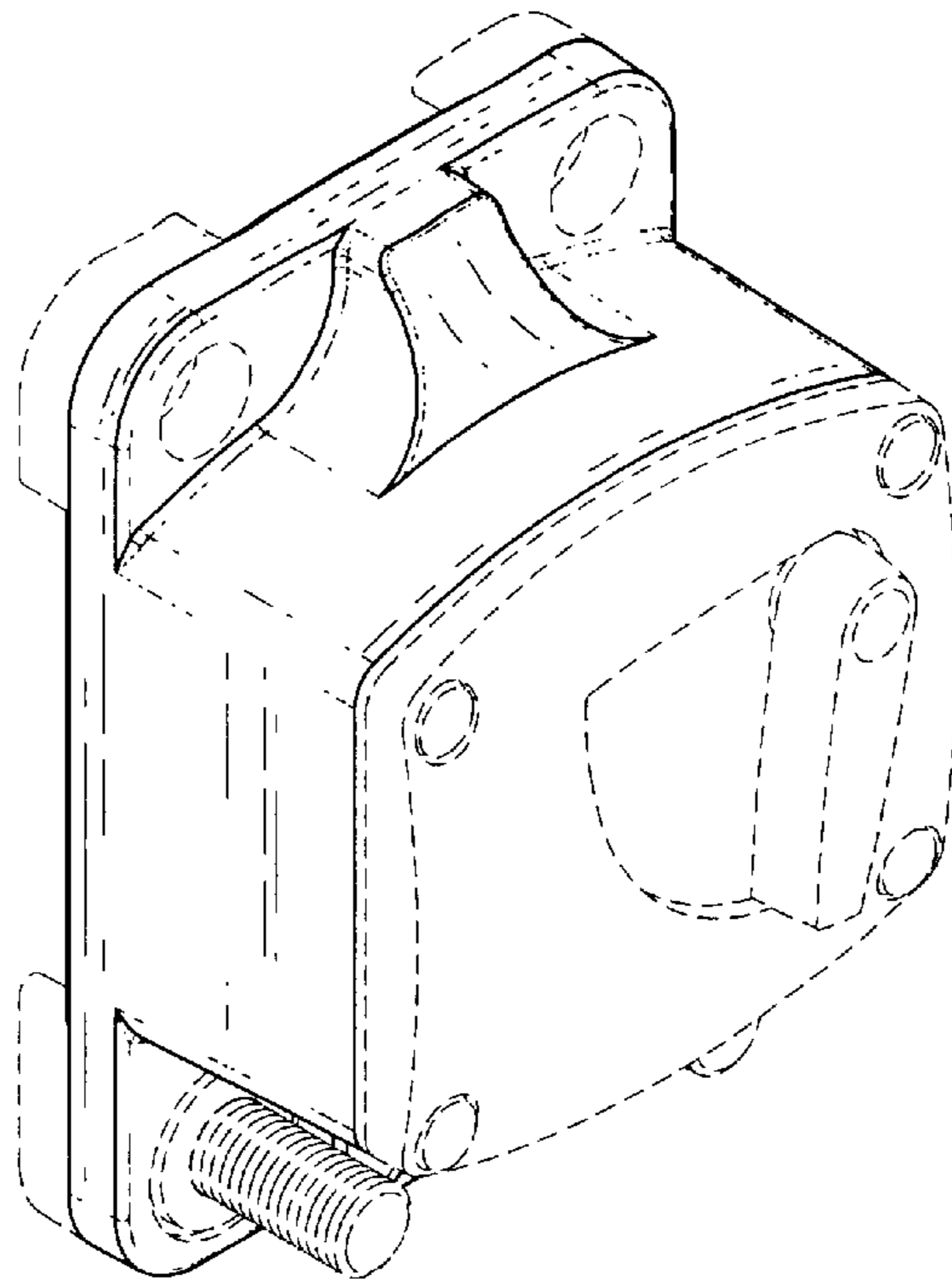


Fig. 1

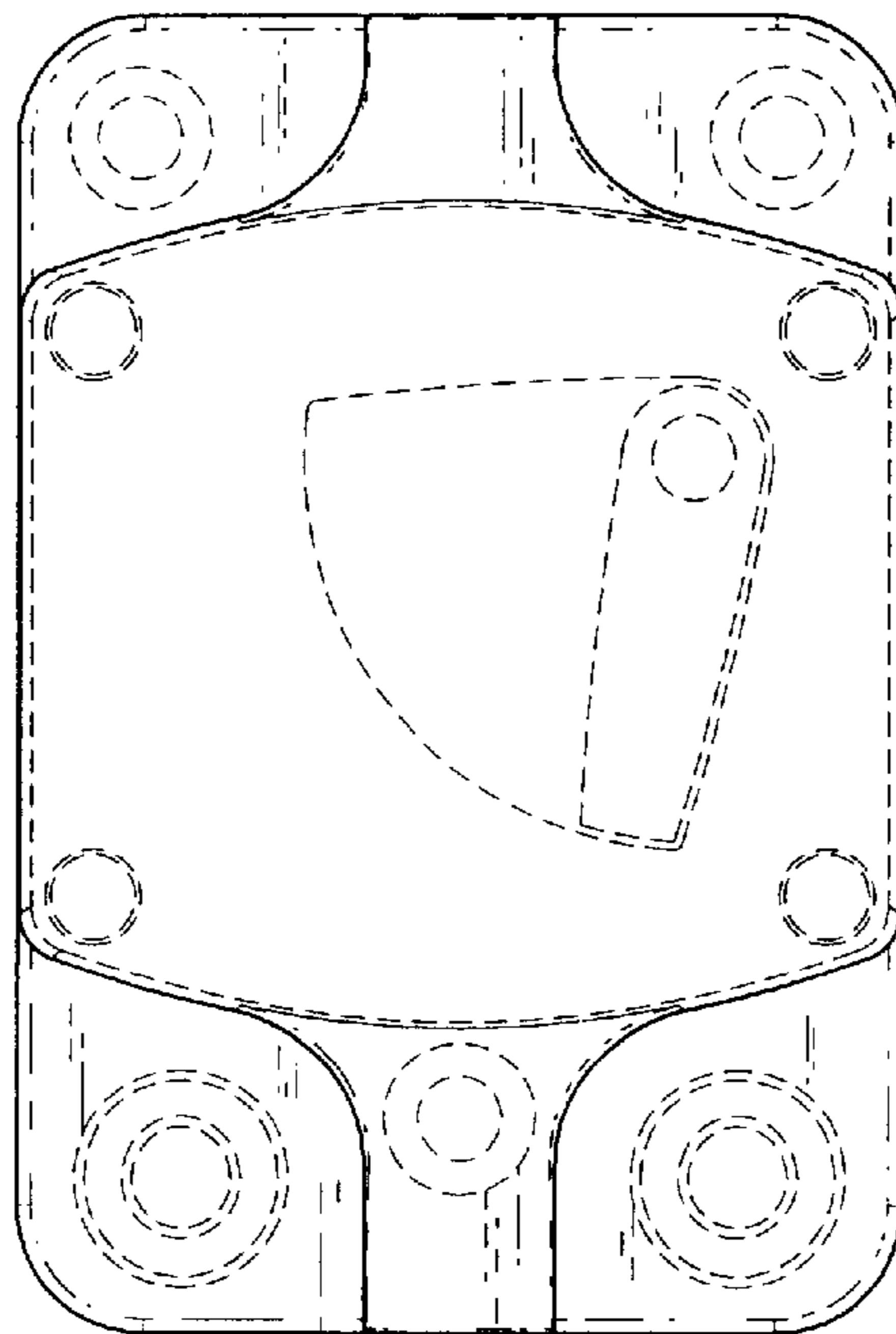


Fig. 2

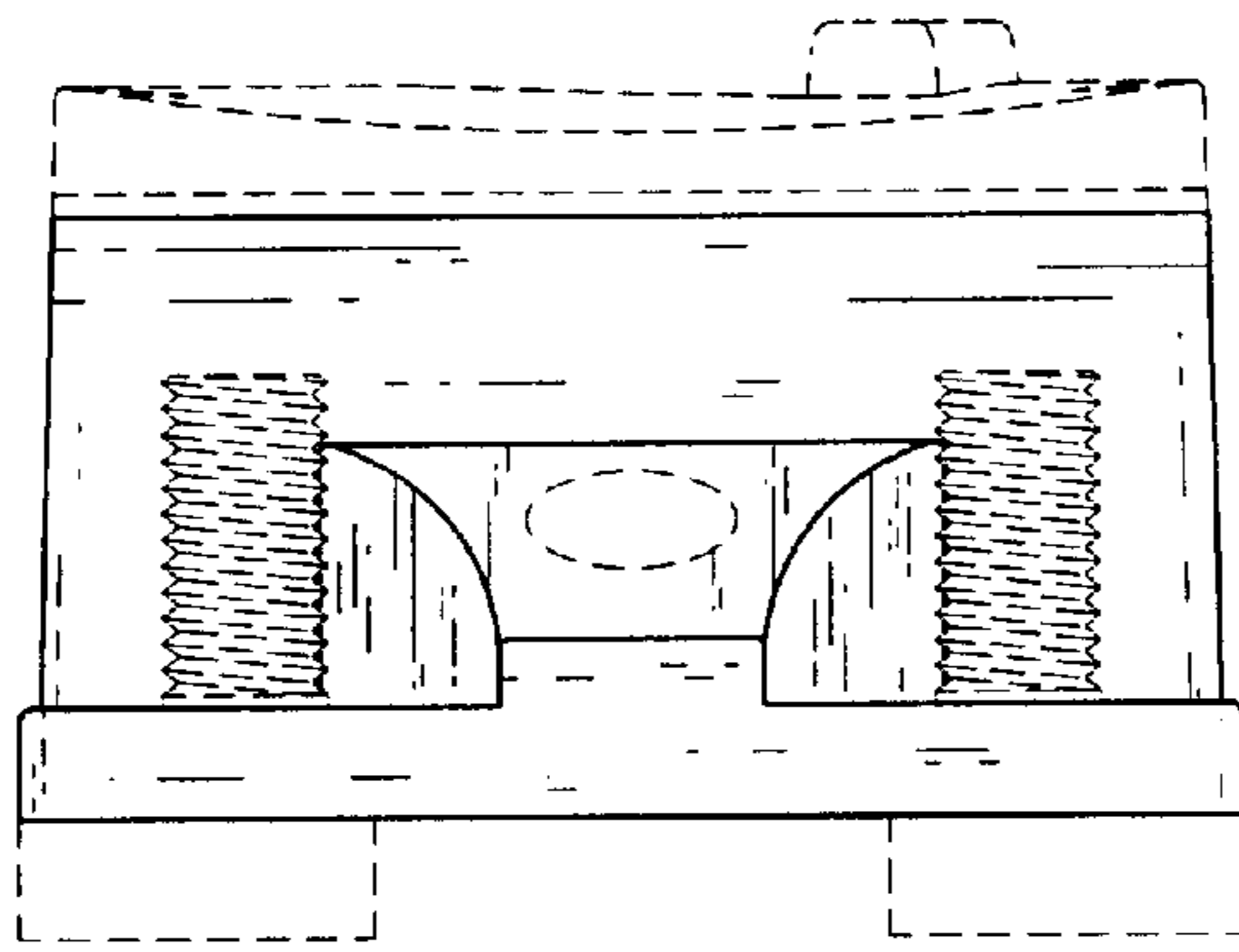


Fig. 3

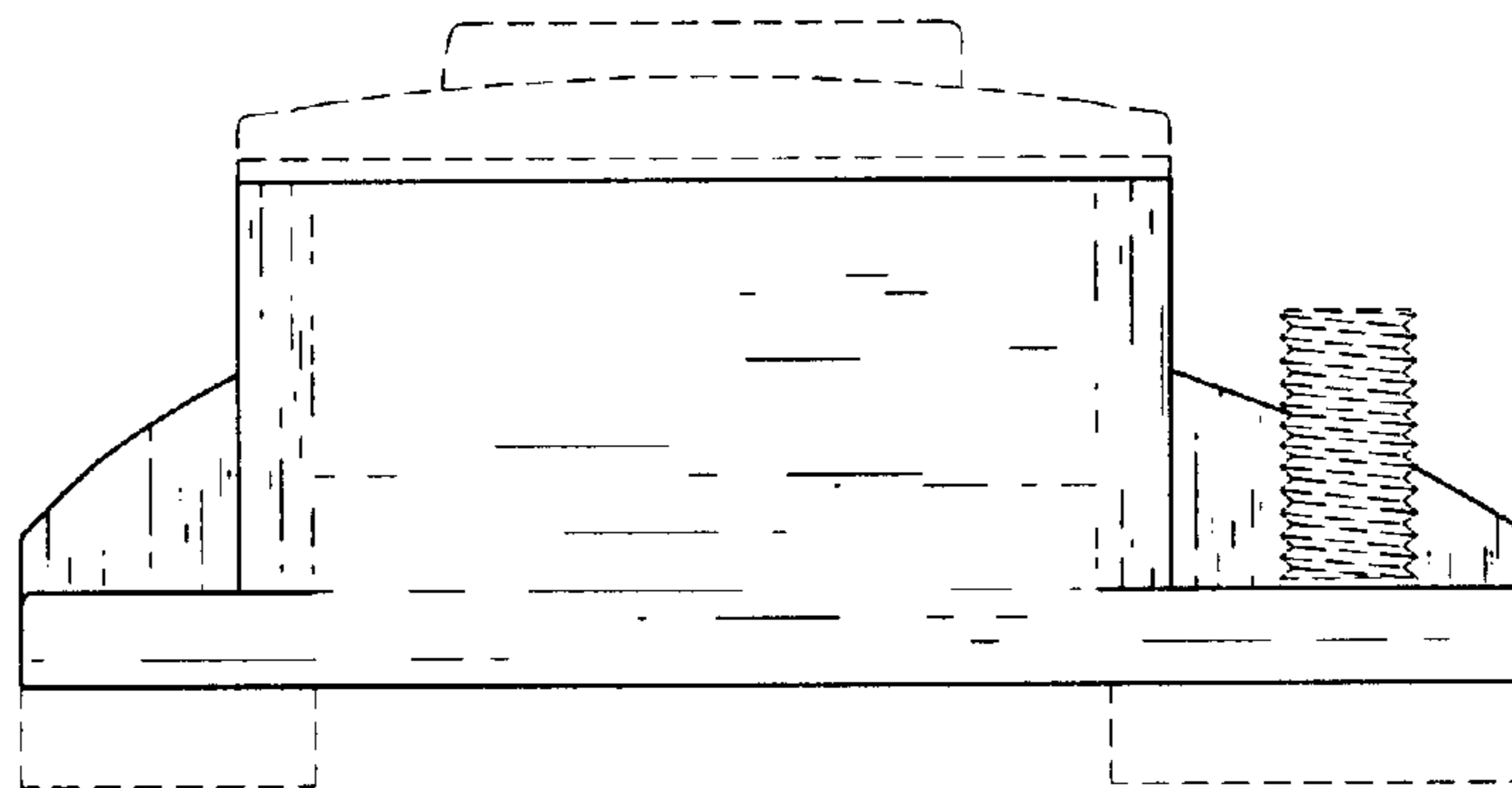


Fig. 4

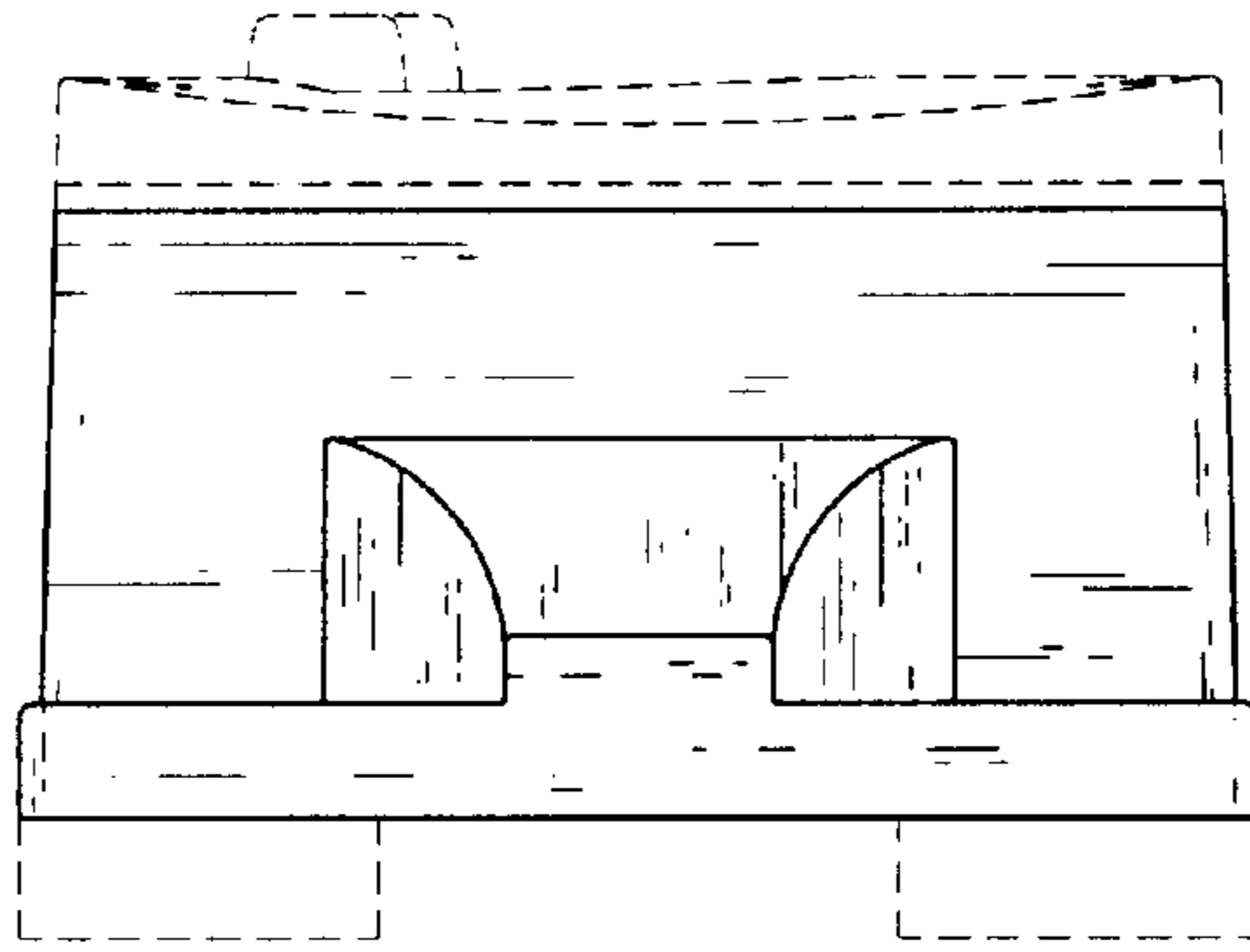


Fig. 5

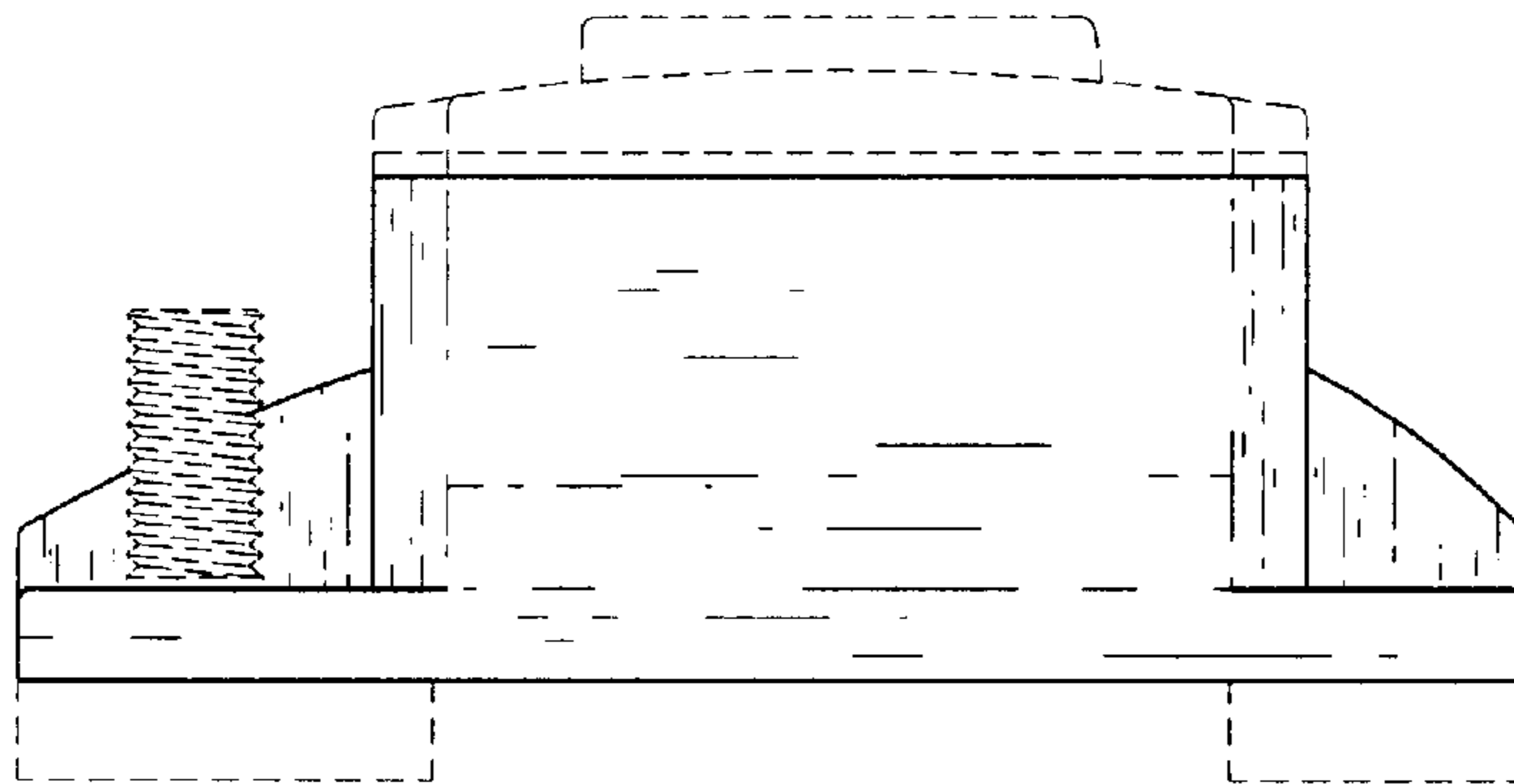


Fig. 6

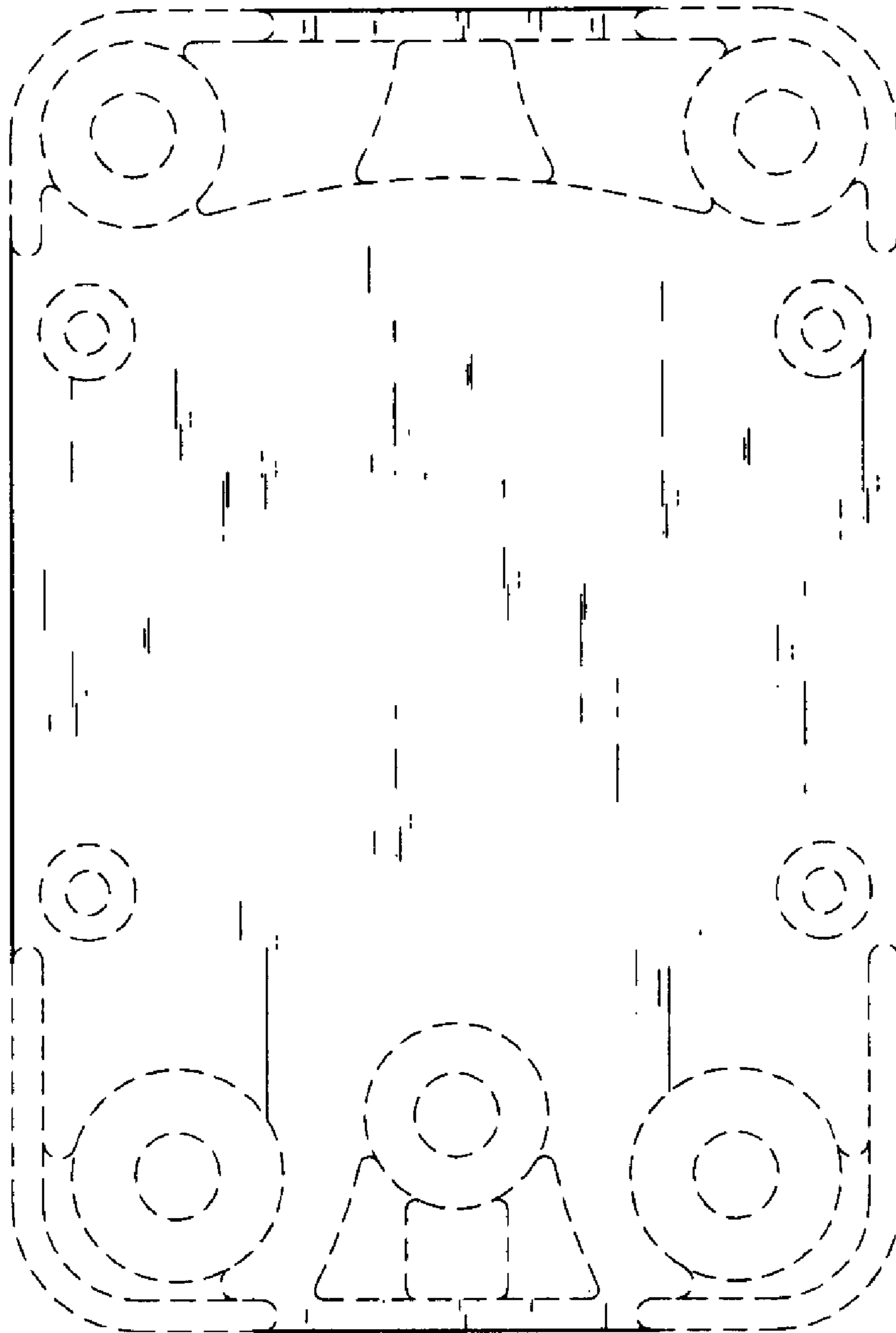


Fig. 7