



US00D468268S

(12) **United States Design Patent**
Zhong

(10) **Patent No.:** **US D468,268 S**

(45) **Date of Patent:** **** Jan. 7, 2003**

- (54) **ELECTRICAL CONNECTOR**
- (75) Inventor: **Ruiwen Zhong**, Kunsan (CN)
- (73) Assignee: **Hon Hai Precision Ind. Co., Ltd.**,
Taipei Hsien (TW)
- (**) Term: **14 Years**
- (21) Appl. No.: **29/164,559**
- (22) Filed: **Jul. 26, 2002**
- (51) **LOC (7) Cl.** **13-03**
- (52) **U.S. Cl.** **D13/147**
- (58) **Field of Search** D13/147; 439/260,
439/325, 329, 492, 495, 607

- 6,089,904 A * 7/2000 Wu 439/495
- 6,280,240 B1 * 8/2001 Chang 439/495
- 6,319,052 B1 * 11/2001 Chang 439/495
- 6,338,648 B1 * 1/2002 Miura et al. 439/495
- D455,400 S * 4/2002 Hisatomi et al. D13/147
- 6,383,016 B1 * 5/2002 Ma 439/495

* cited by examiner

Primary Examiner—Joel Sincavage

(74) *Attorney, Agent, or Firm*—Wei Te Chung

(57) **CLAIM**

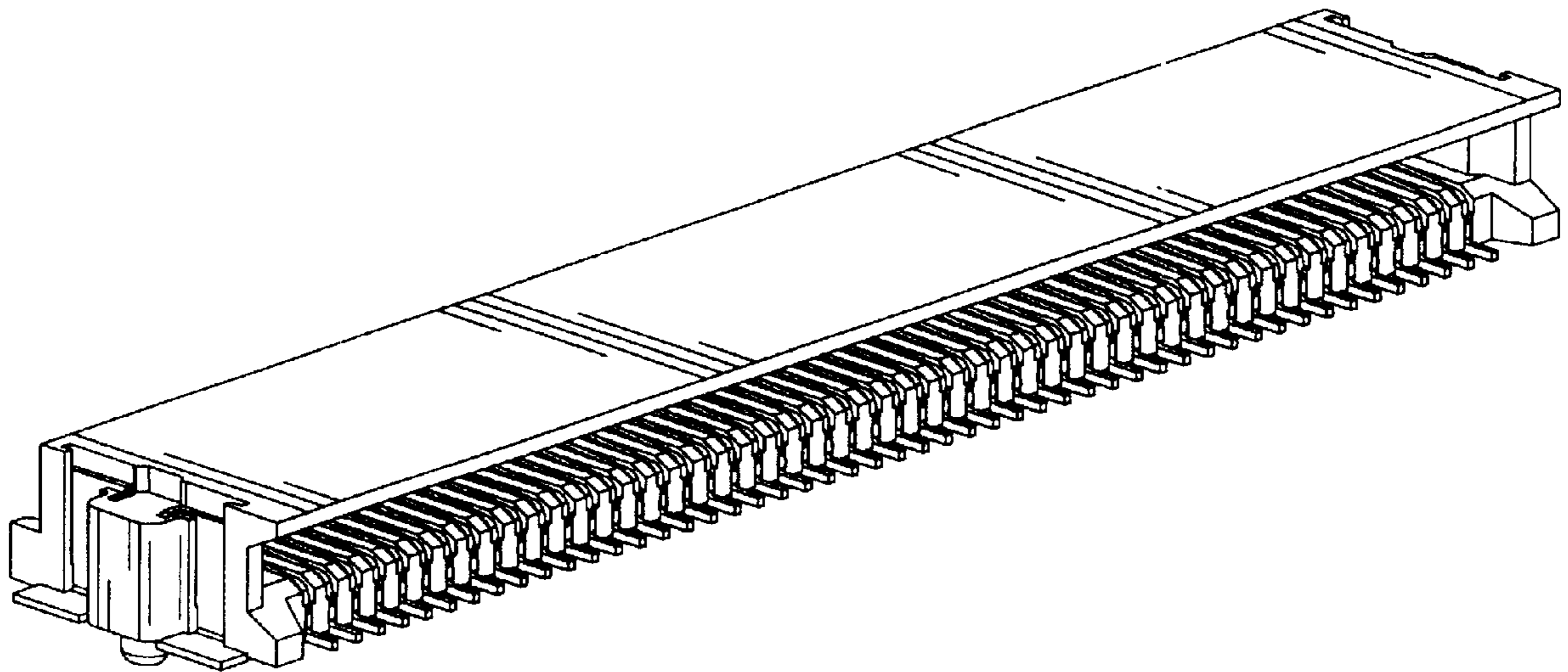
The ornamental design for an electrical connector, as shown.

DESCRIPTION

FIG. 1 is a front, top and left side perspective view of an electrical connector showing my new design;
 FIG. 2 is a front elevational view thereof;
 FIG. 3 is a rear elevational view thereof;
 FIG. 4 is a left side elevational view thereof;
 FIG. 5 is a right side elevational view thereof;
 FIG. 6 is a top plan view thereof; and,
 FIG. 7 is a bottom plan view thereof.

1 Claim, 4 Drawing Sheets

- (56) **References Cited**
- U.S. PATENT DOCUMENTS**
- D371,542 S * 7/1996 Takayasu D13/147
- 5,800,204 A * 9/1998 Niitsu 439/495
- 5,839,917 A * 11/1998 Takahashi et al. 439/495
- 5,842,883 A * 12/1998 Igarashi et al. 439/495
- 5,906,504 A * 5/1999 Igarashi et al. 439/495



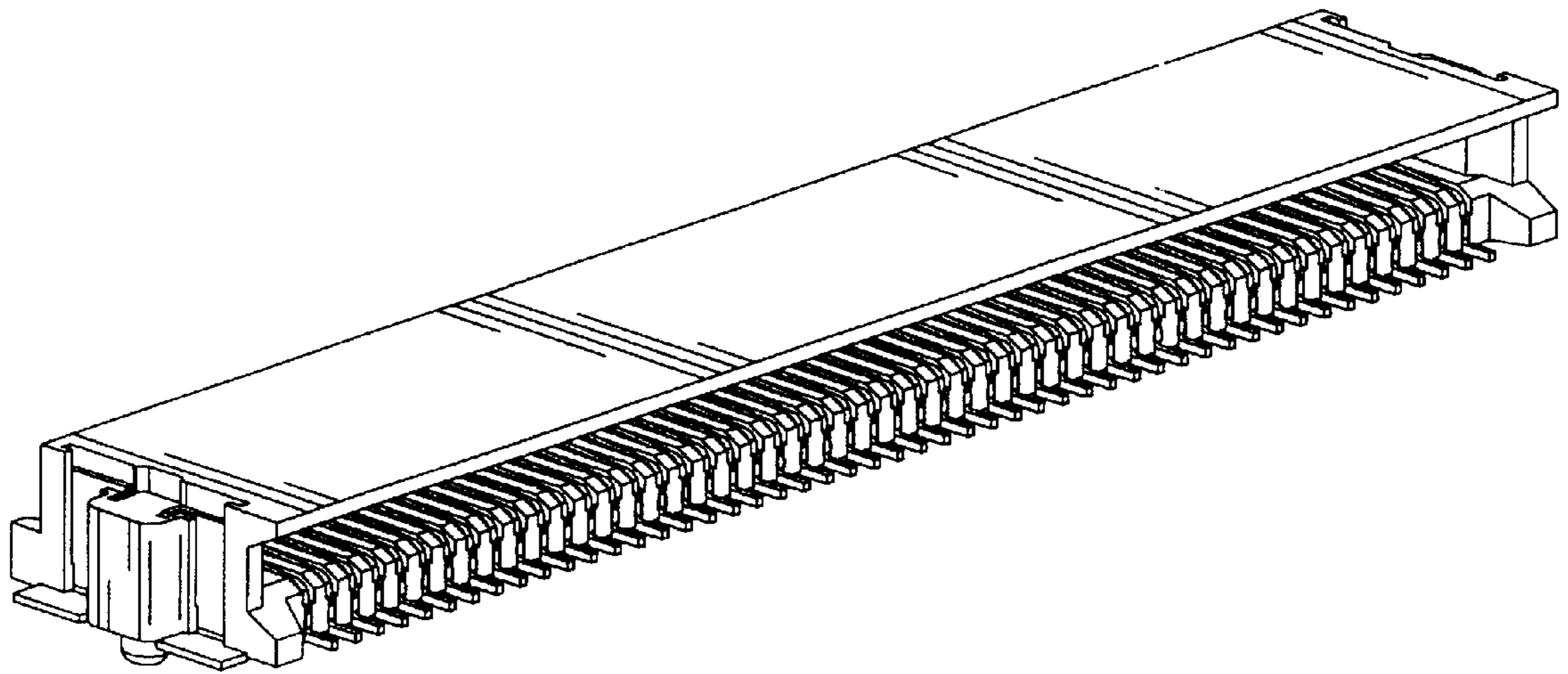


FIG. 1

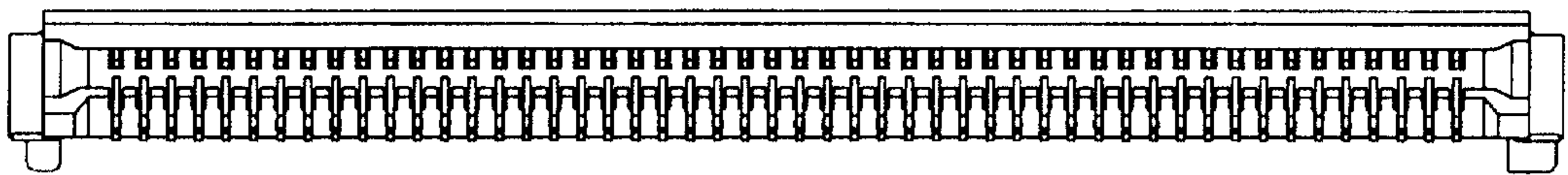


FIG. 2

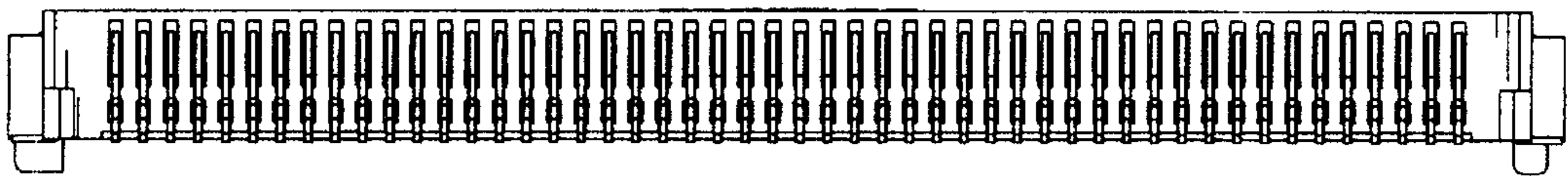


FIG. 3

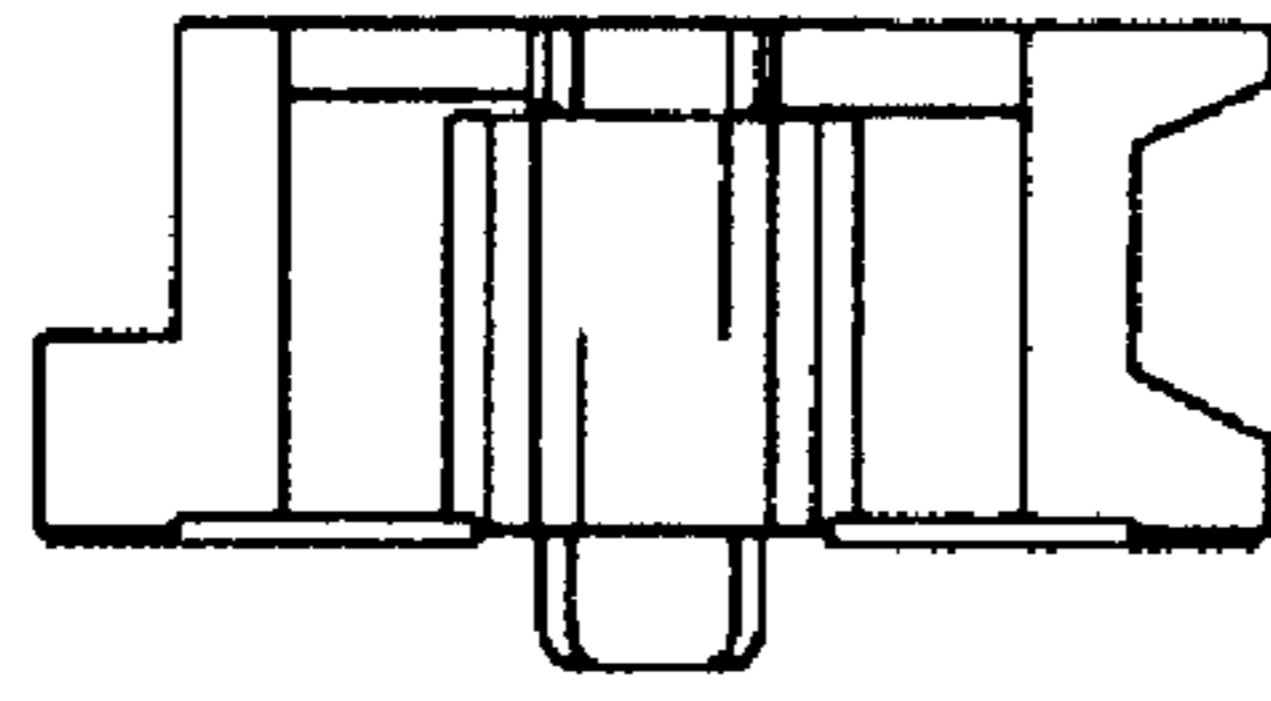


FIG. 4

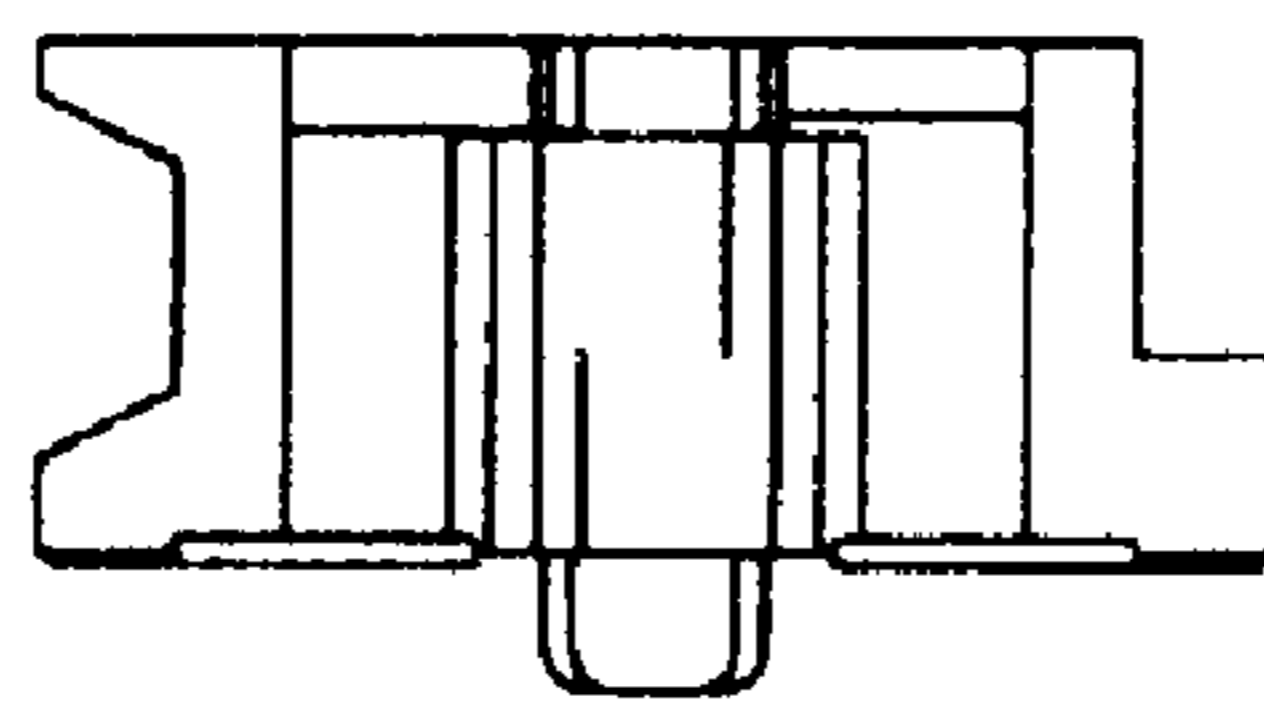


FIG. 5

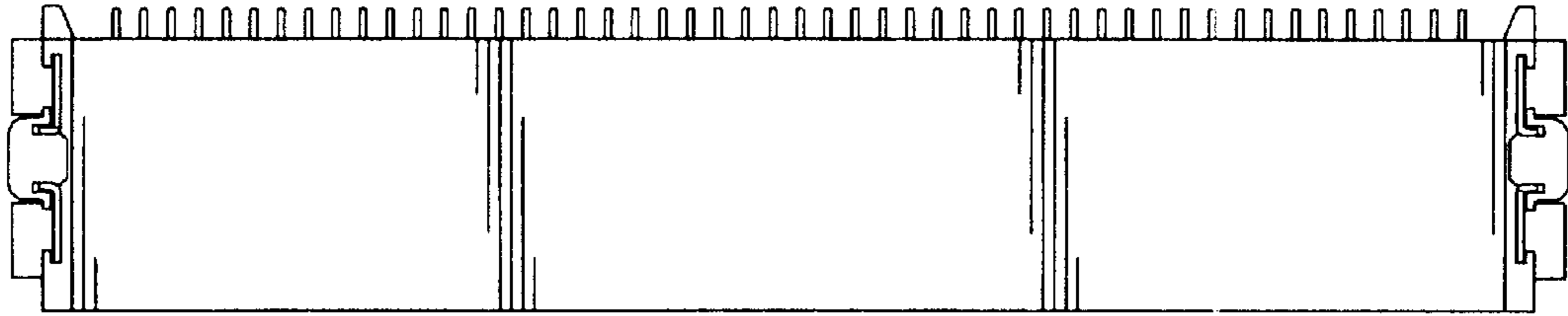


FIG. 6

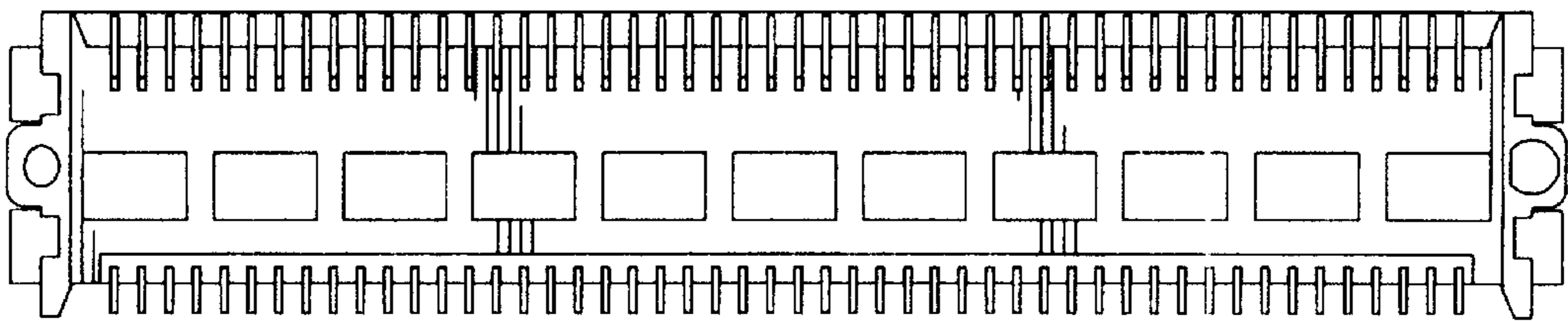


FIG. 7