



US00D468267S

(12) **United States Design Patent**
Yang et al.

(10) **Patent No.:** **US D468,267 S**

(45) **Date of Patent:** **** Jan. 7, 2003**

(54) **ELECTRICAL CONNECTOR ASSEMBLY**

(75) Inventors: **Jian Ning Yang**, Kunsan (CN); **Jinkui Hu**, Kunsan (CN); **Guohua Zhang**, Kunsan (CN); **Bo Liu**, Kunsan (CN); **Yulong Mao**, Kunsan (CN)

(73) Assignee: **Hon Hai Precision Ind. Co., Ltd.**, Taipei Hsien (TW)

(**) Term: **14 Years**

(21) Appl. No.: **29/163,512**

(22) Filed: **Jul. 5, 2002**

(30) **Foreign Application Priority Data**

May 30, 2002 (TW) 091302709

(51) **LOC (7) Cl.** **13-03**

(52) **U.S. Cl.** **D13/147**

(58) **Field of Search** D13/147; 439/541.5, 439/607

(56) **References Cited**

U.S. PATENT DOCUMENTS

4,885,438 A * 12/1989 Tajima 200/51.09
D315,545 S * 3/1991 Akaba et al. D13/147
D407,070 S * 3/1999 Chang D13/147

D419,134 S * 1/2000 Chen D13/146
6,149,459 A * 11/2000 Yang 439/541.5
6,159,039 A * 12/2000 Wu 439/541.5
6,162,089 A * 12/2000 Costello et al. 439/541.5
6,174,198 B1 * 1/2001 Wu et al. 439/541.5
6,183,292 B1 * 2/2001 Chen et al. 439/541.5
D442,145 S * 5/2001 Zheng et al. D13/147
6,368,150 B1 * 4/2002 Zheng et al. 439/541.5

* cited by examiner

Primary Examiner—Joel Sincavage

(74) *Attorney, Agent, or Firm*—Wei Te Chung

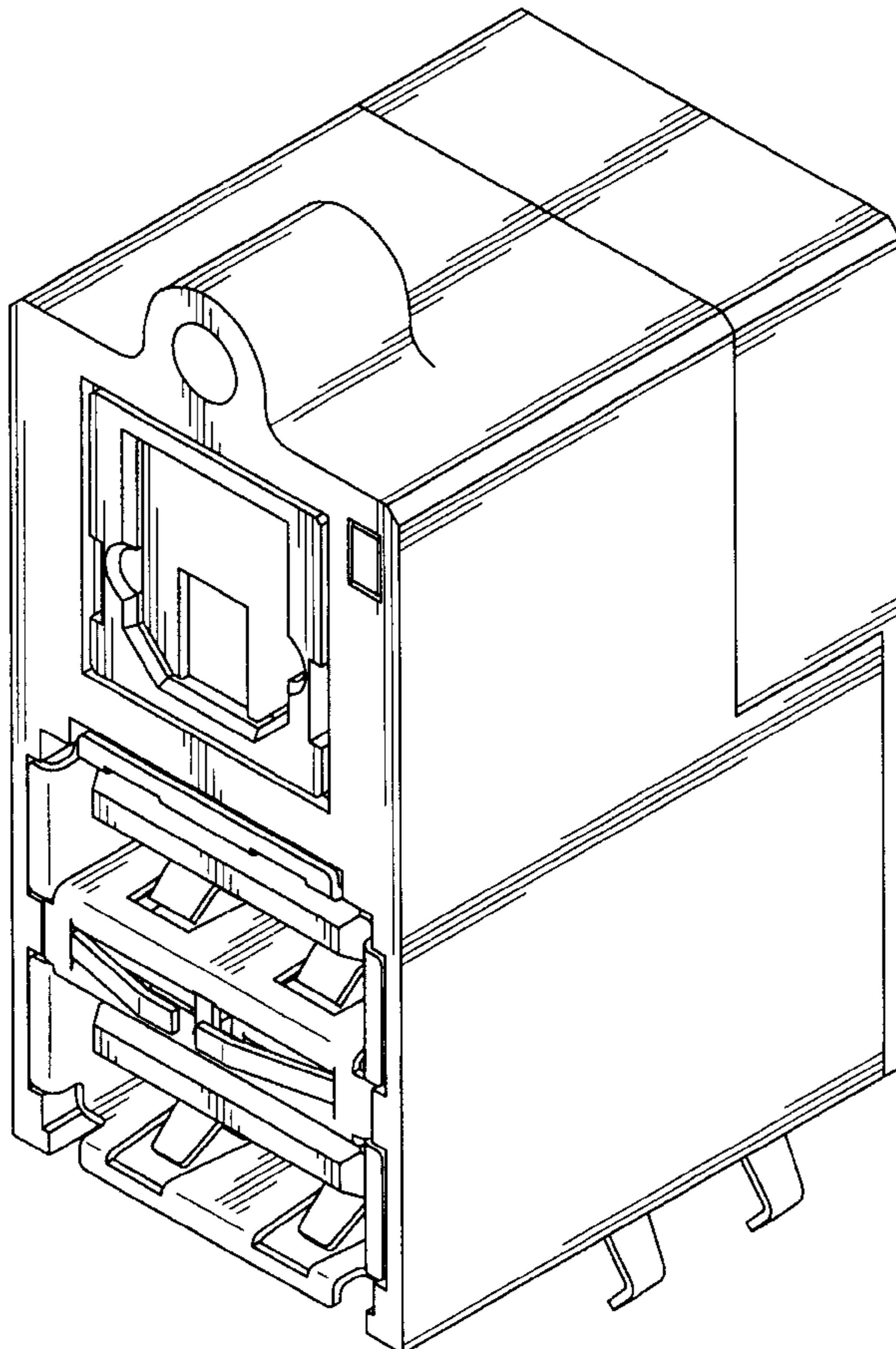
(57) **CLAIM**

The ornamental design for an electrical connector assembly, as shown.

DESCRIPTION

FIG. 1 is a front, top and right side perspective view of an electrical connector assembly showing our new design; FIG. 2 is a front elevational view thereof; FIG. 3 is a rear elevational view thereof; FIG. 4 is a left side elevational view thereof; FIG. 5 is a right side elevational view thereof; FIG. 6 is a top plan view thereof; and, FIG. 7 is a bottom plan view thereof.

1 Claim, 7 Drawing Sheets



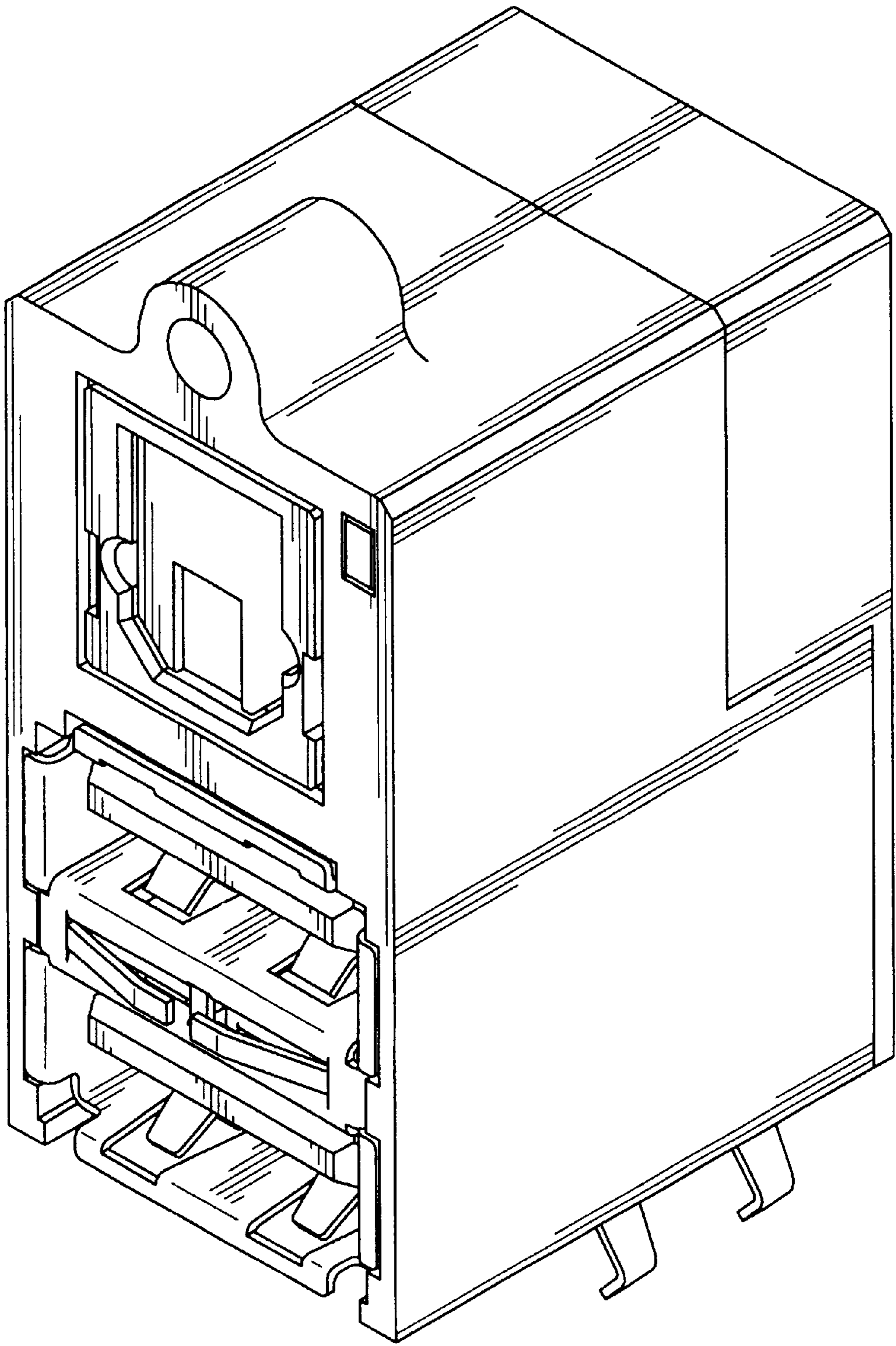


FIG. 1

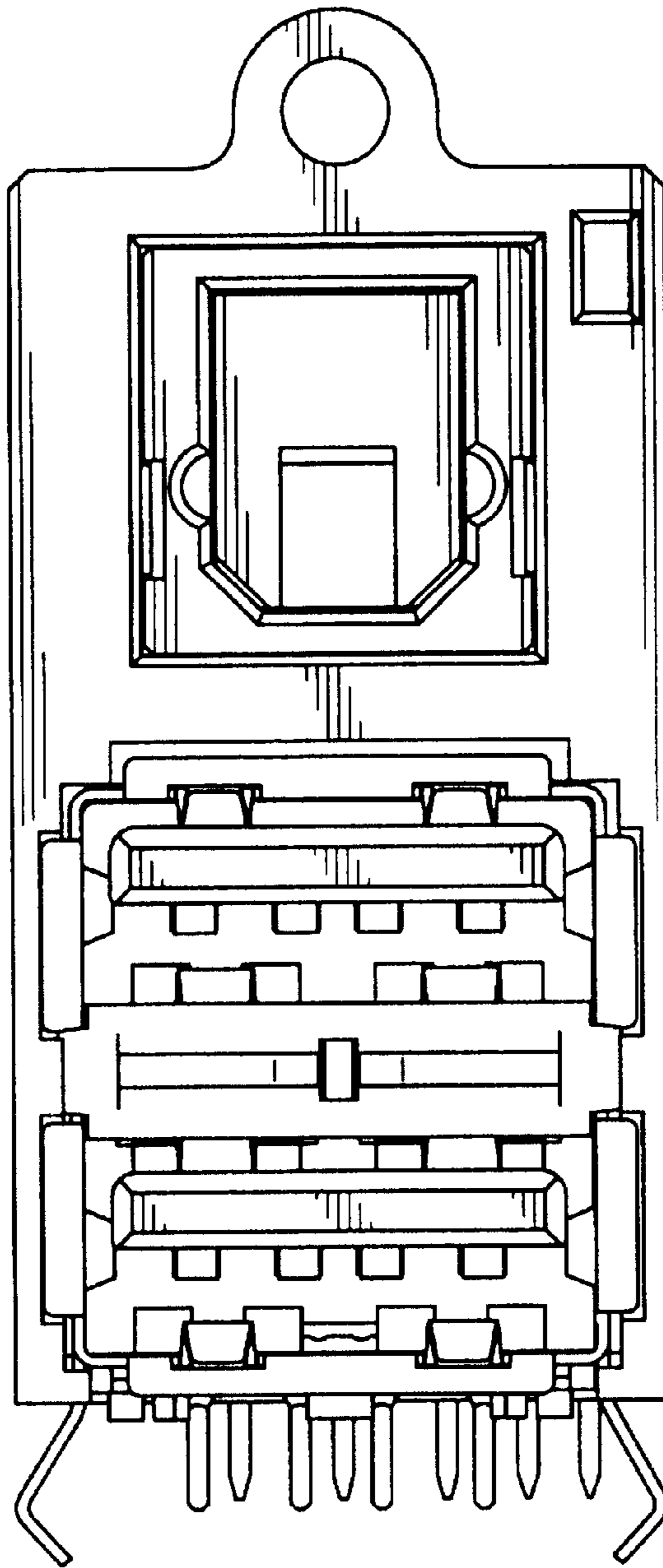


FIG. 2

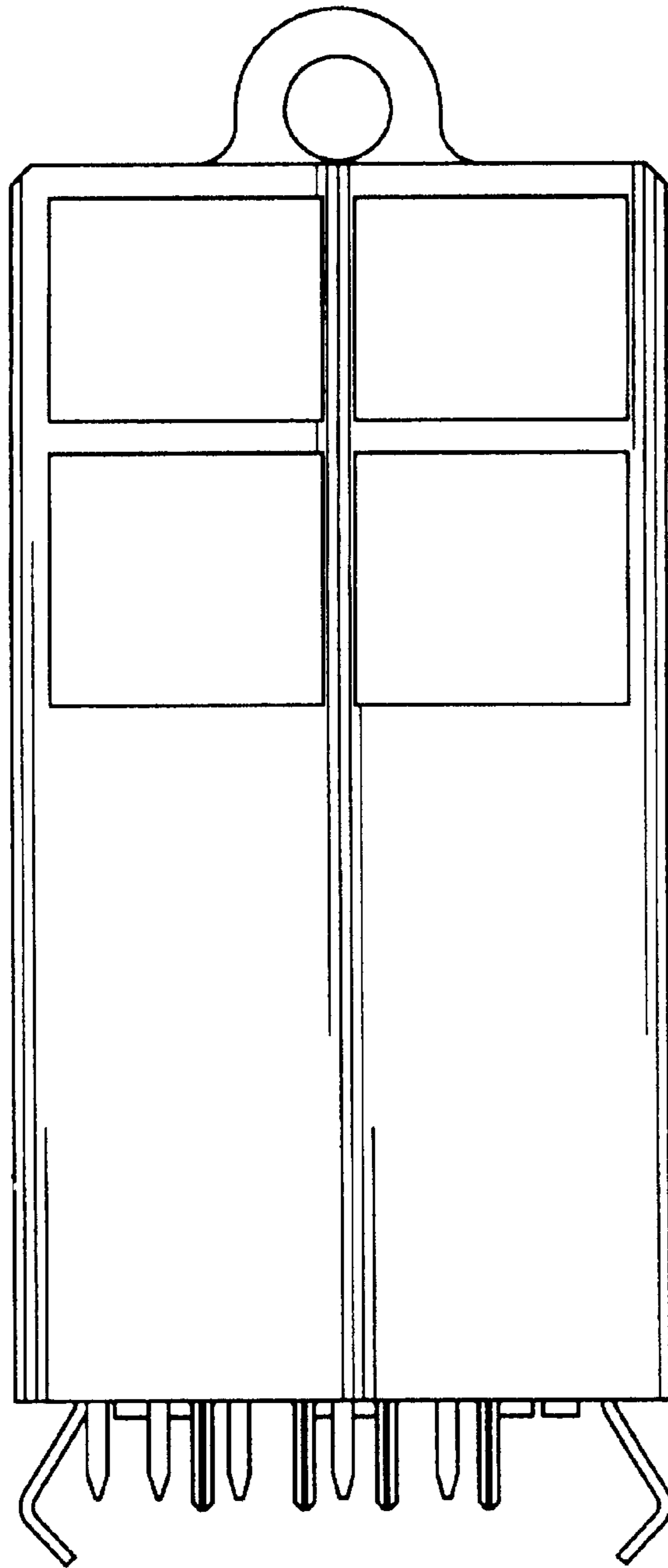


FIG. 3

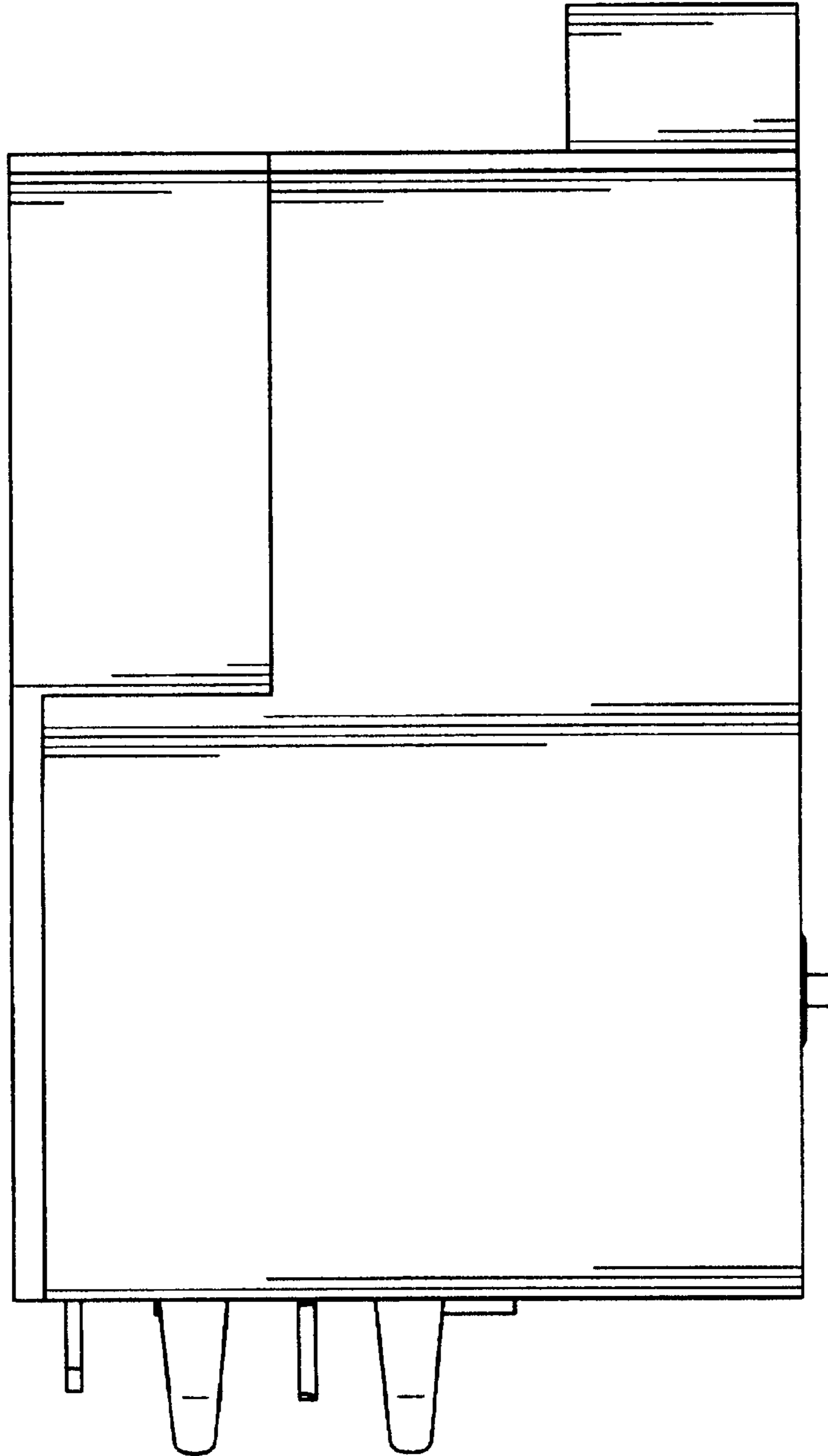


FIG. 4

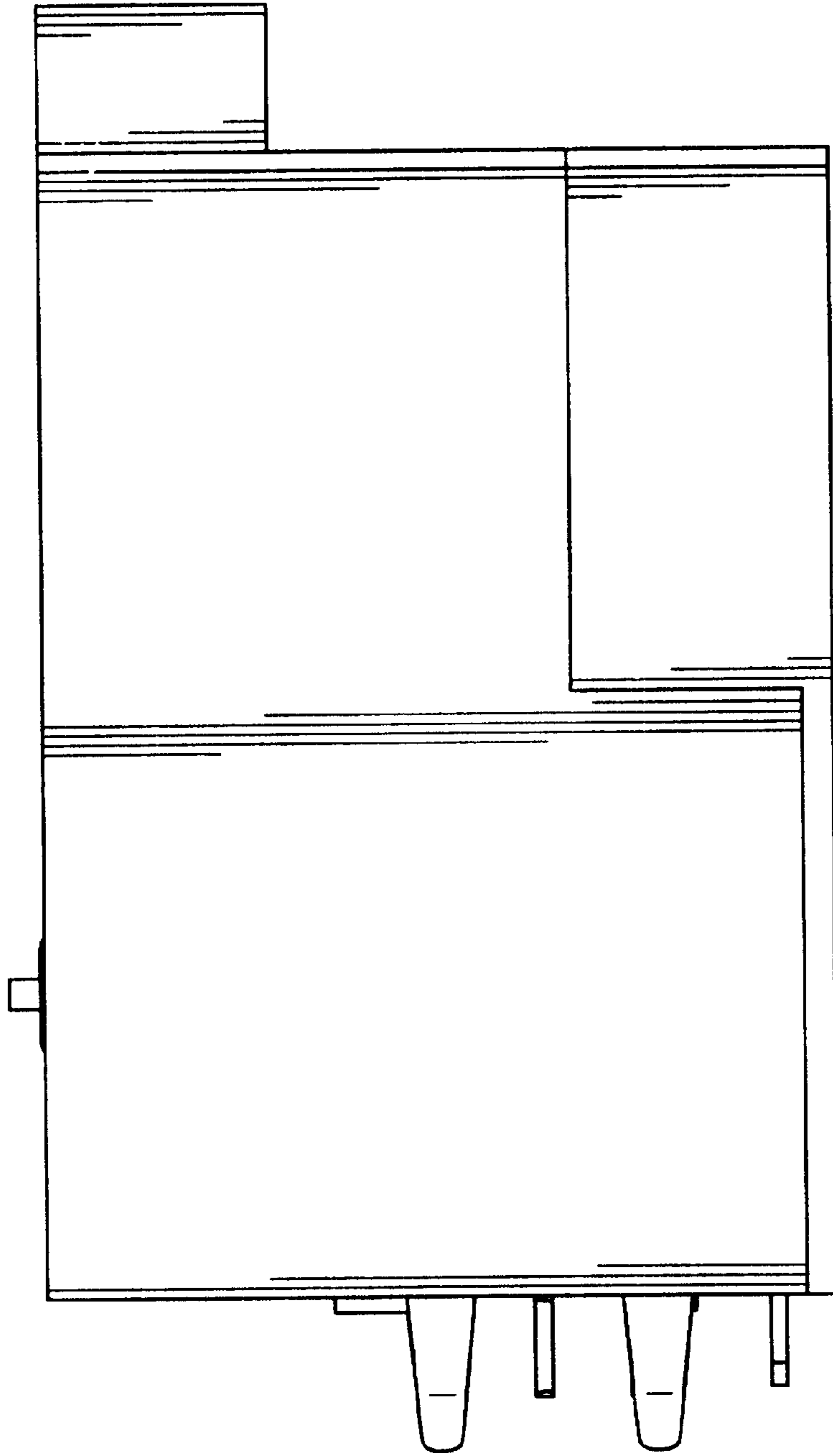


FIG. 5

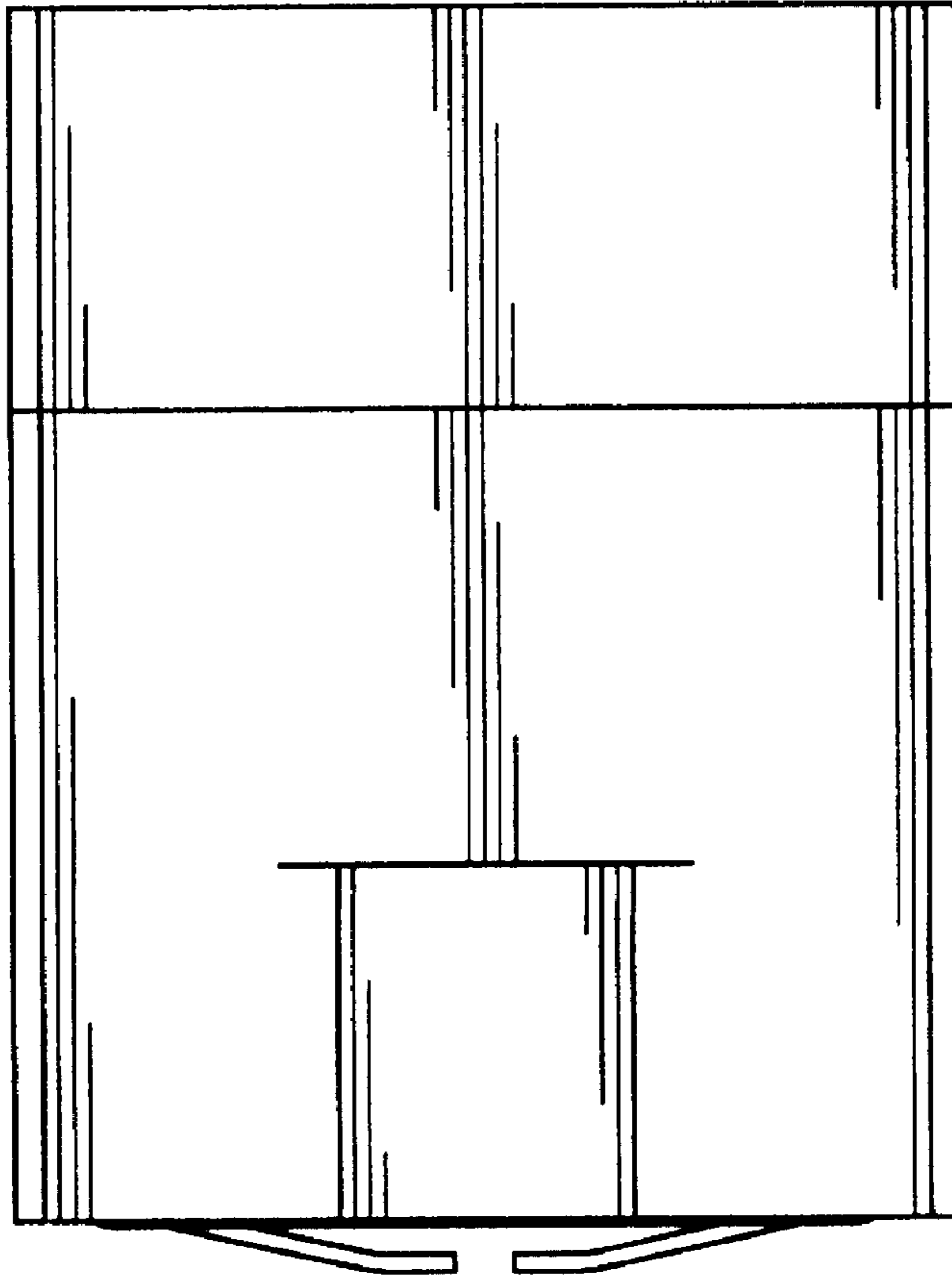


FIG. 6

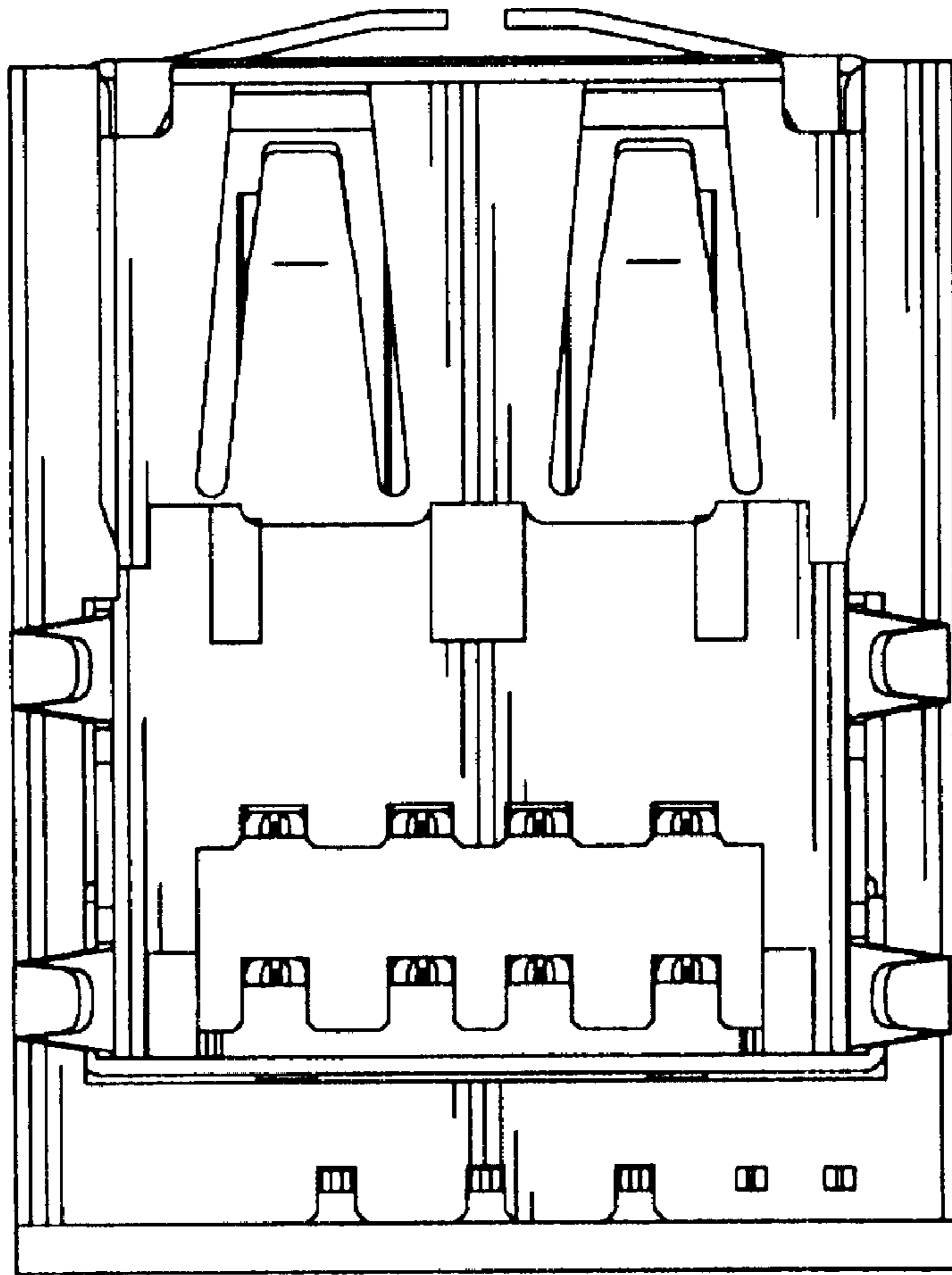


FIG. 7