



US00D468266S

(12) **United States Design Patent**  
**Huang**

(10) **Patent No.:** **US D468,266 S**

(45) **Date of Patent:** **\*\* Jan. 7, 2003**

(54) **CABLE END ASSEMBLY**

(75) Inventor: **Li-Zhi Huang**, Kunsan (CN)

(73) Assignee: **Hon Hai Precision Ind. Co., Ltd.**,  
Taipei Hsien (TW)

(\*\*) Term: **14 Years**

(21) Appl. No.: **29/152,596**

(22) Filed: **Dec. 19, 2001**

(51) **LOC (7) Cl.** ..... **13-03**

(52) **U.S. Cl.** ..... **D13/147**

(58) **Field of Search** ..... D13/133, 146,  
D13/147; 439/352, 359, 362, 610

(56) **References Cited**

**U.S. PATENT DOCUMENTS**

4,456,319	A	*	6/1984	Ricos	.....	439/359
4,577,919	A	*	3/1986	Waters	.....	439/362 X
4,722,022	A	*	1/1988	Myers et al.	.....	361/818
D298,121	S	*	10/1988	Furuhashi	.....	D13/146
5,195,909	A	*	3/1993	Huss, Jr. et al.	.....	439/610 X

5,197,900	A	*	3/1993	Ellis et al.	.....	439/352
D396,689	S	*	8/1998	Karten et al.	.....	D13/147
D416,233	S	*	11/1999	Tsai	.....	D13/147 X
D436,924	S	*	1/2001	Lee	.....	D13/147
6,264,494	B1	*	7/2001	Chen	.....	439/404
6,341,986	B1	*	1/2002	Ko	.....	439/610

\* cited by examiner

*Primary Examiner*—Joel Sincavage

(74) *Attorney, Agent, or Firm*—Wei Te Chung

(57) **CLAIM**

The ornamental design for a cable end assembly, as shown.

**DESCRIPTION**

FIG. 1 is a front, top and left side perspective view of a cable end assembly showing my new design.

FIG. 2 is a front elevational view thereof.

FIG. 3 is a rear elevational view thereof.

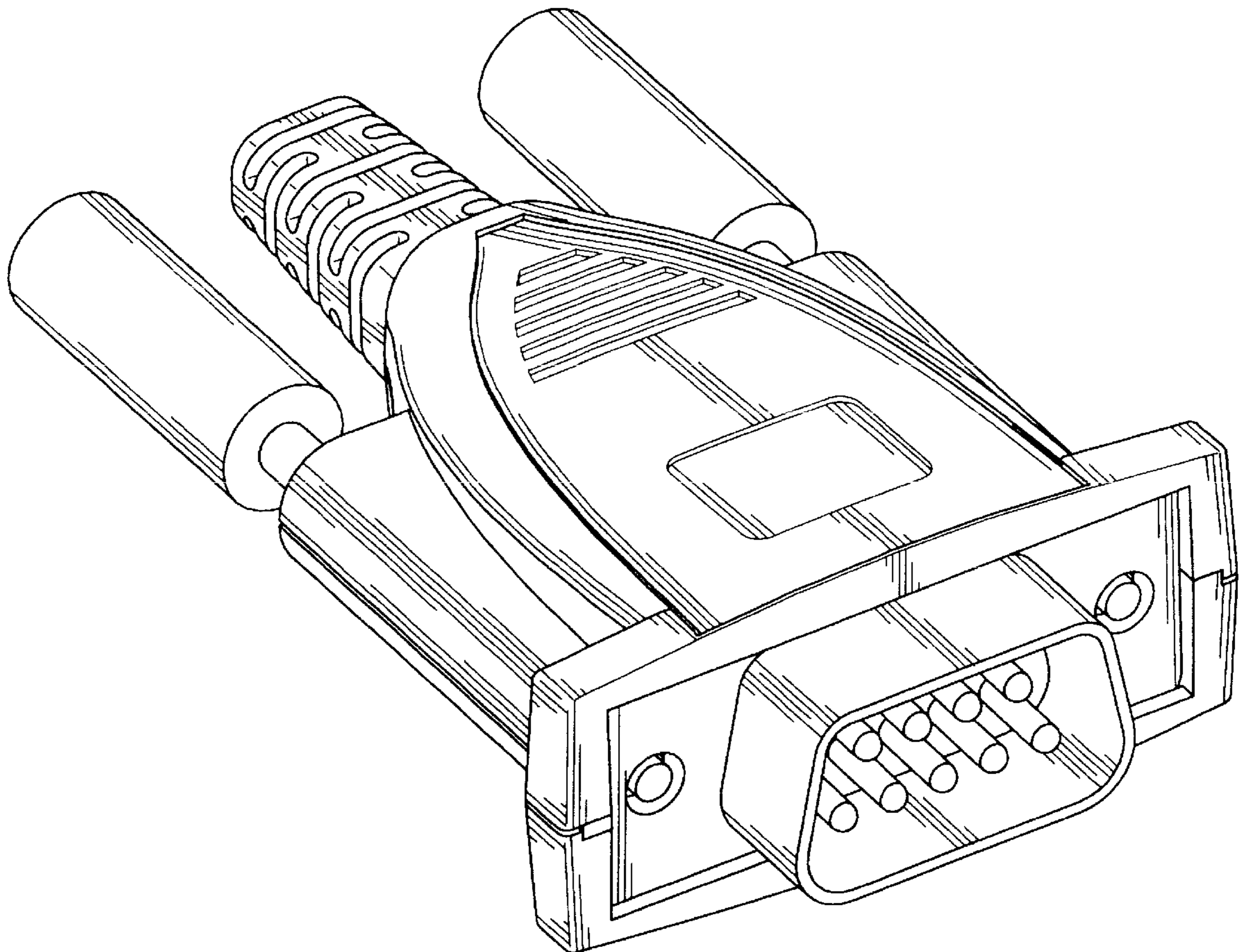
FIG. 4 is a left side elevational view thereof.

FIG. 5 is a right side elevational view thereof.

FIG. 6 is a top plan view thereof; and,

FIG. 7 is a bottom plan view thereof.

**1 Claim, 5 Drawing Sheets**



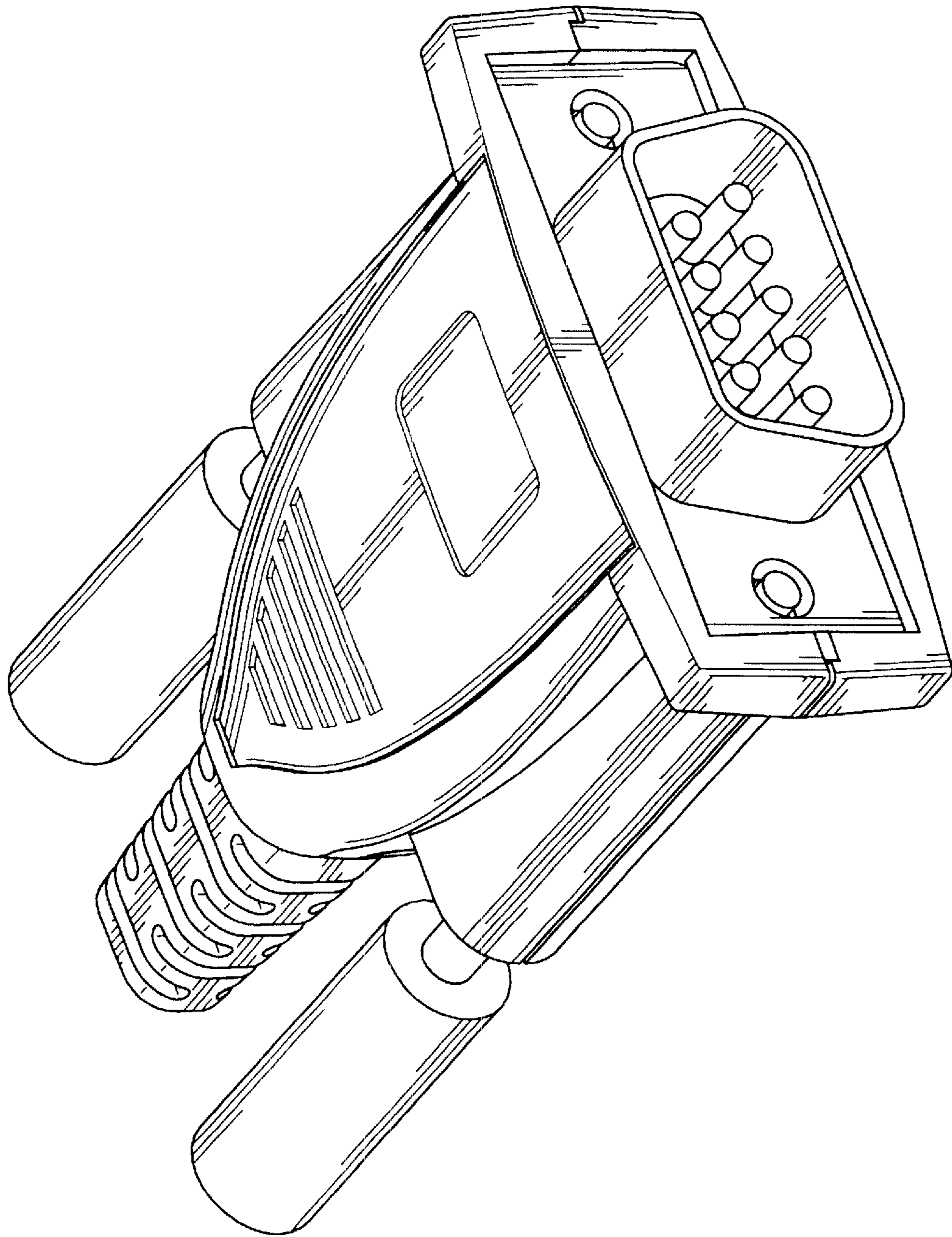


FIG. 1

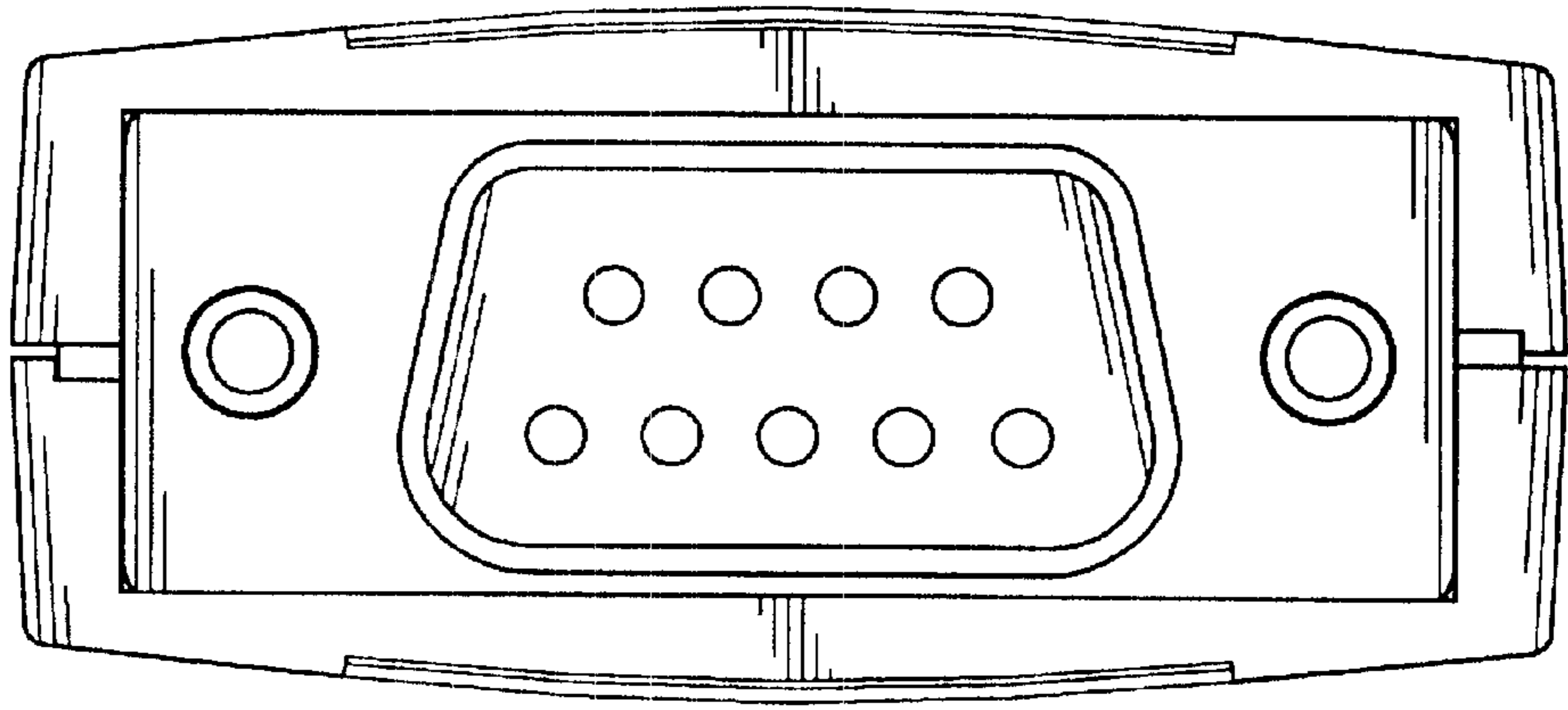


FIG. 2

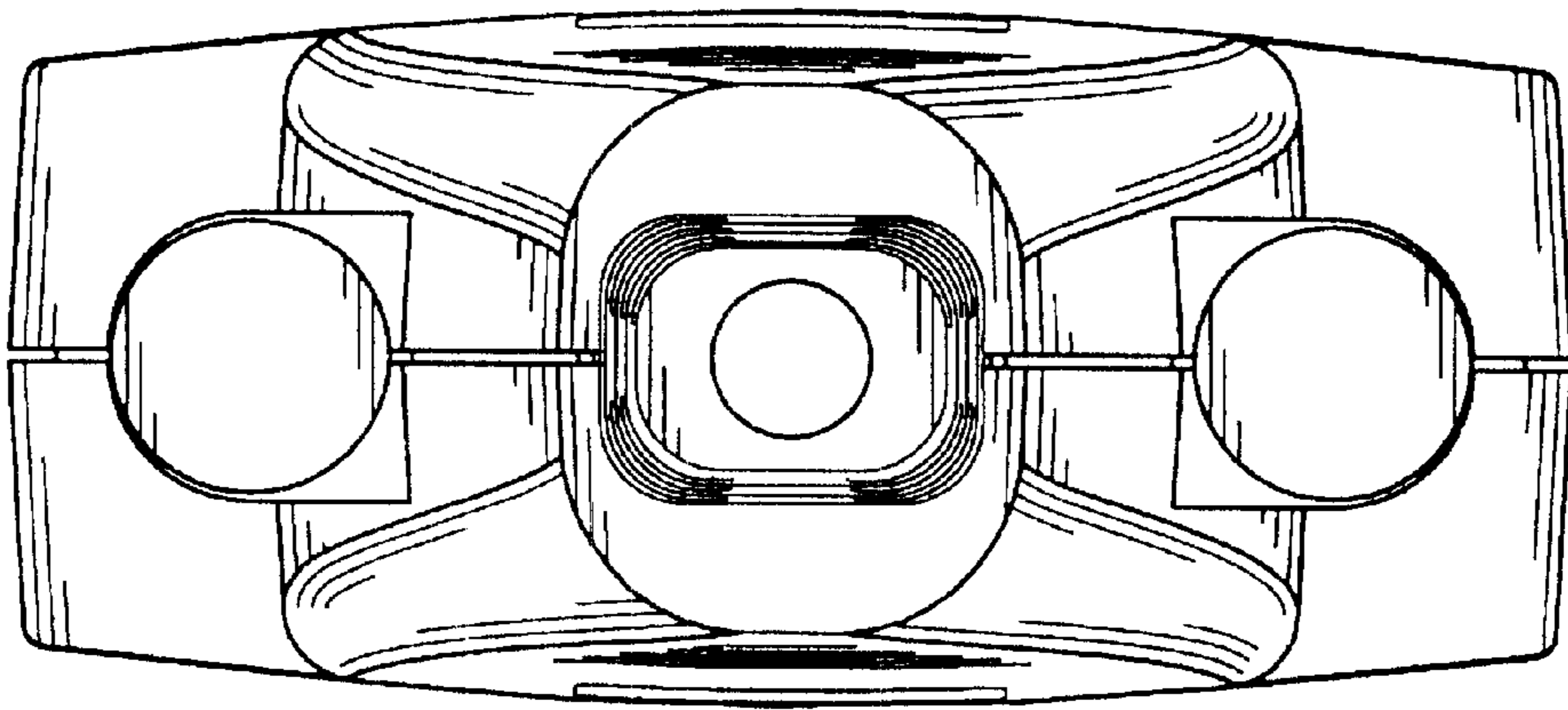


FIG. 3

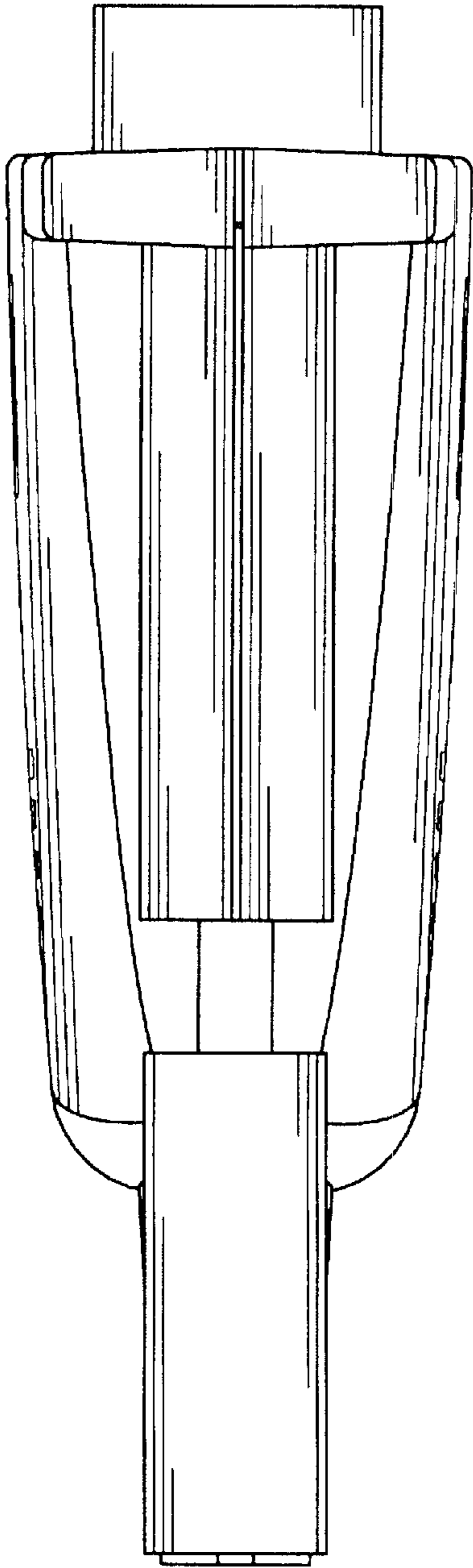


FIG. 4

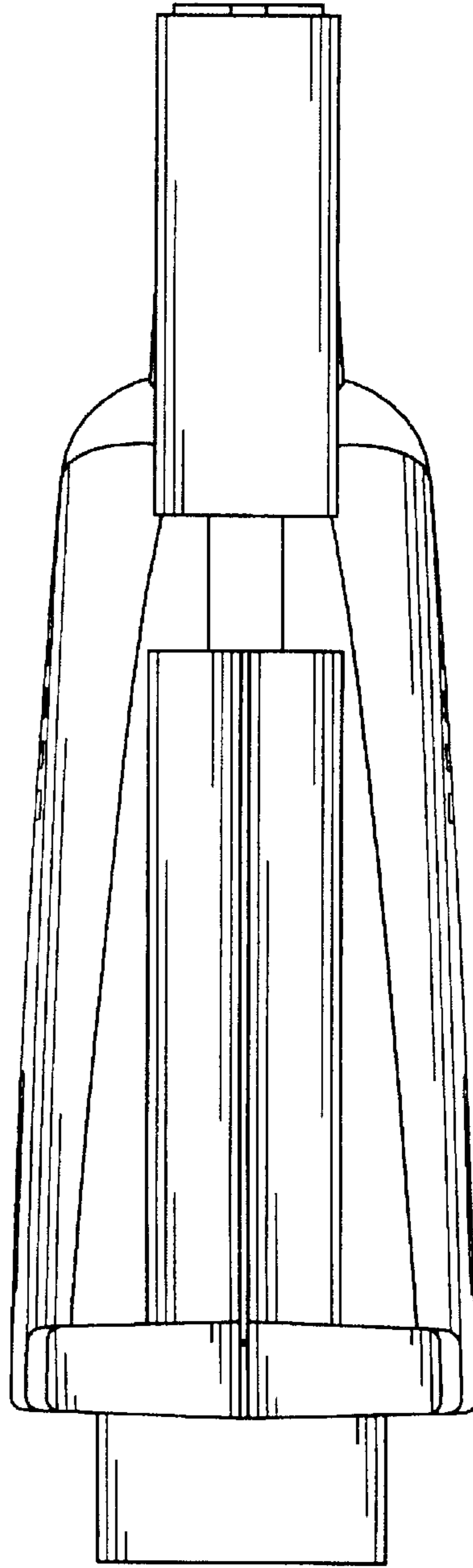


FIG. 5

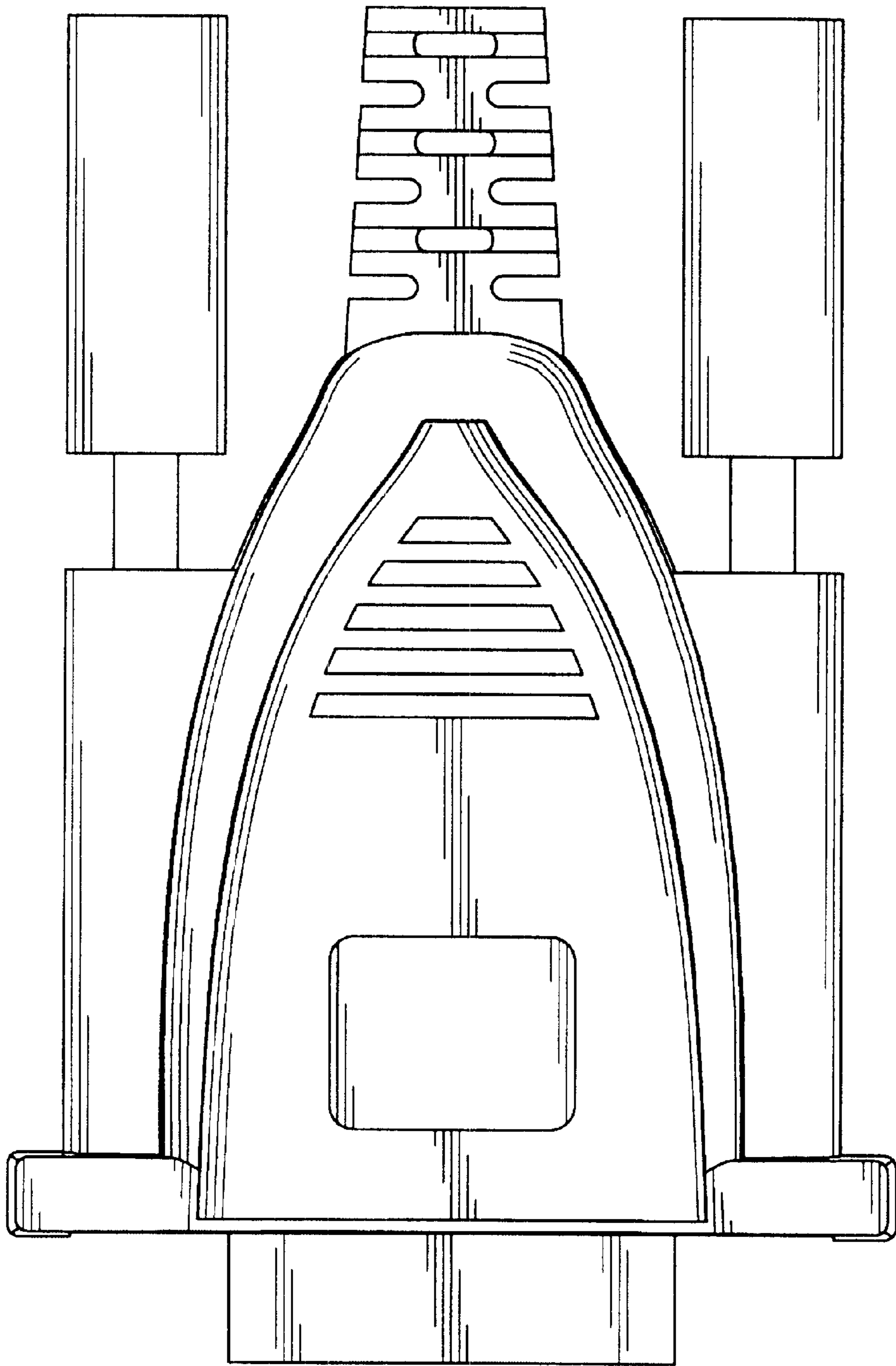


FIG. 6

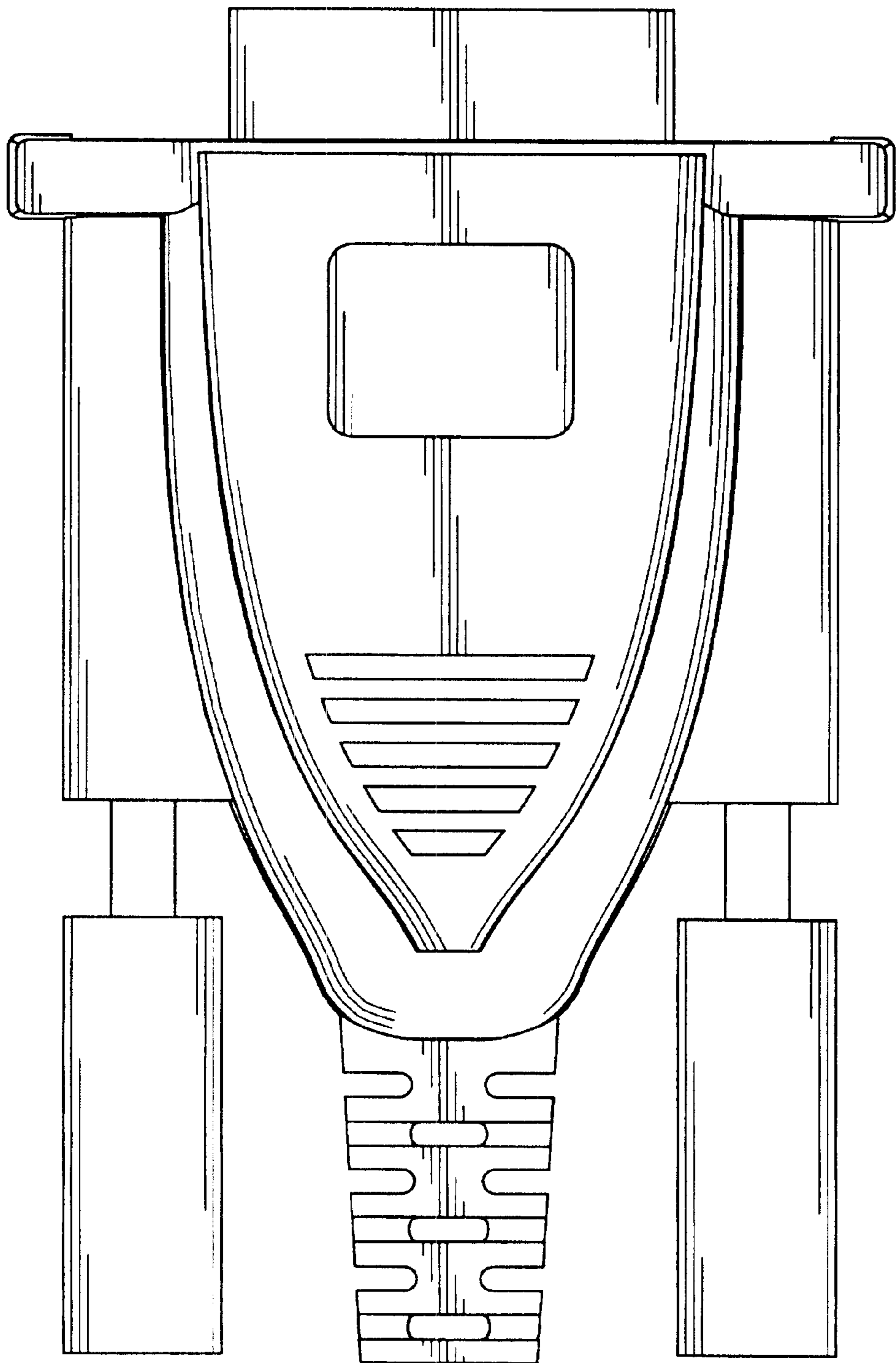


FIG. 7