



US00D468264S

(12) **United States Design Patent**
Sugino

(10) **Patent No.:** **US D468,264 S**

(45) **Date of Patent:** **** Jan. 7, 2003**

(54) **CABLE CONNECTION ADAPTER**

(75) **Inventor:** **Kenichi Sugino, Kyoto (JP)**

(73) **Assignee:** **Nintendo Co., Ltd. (JP)**

(**) **Term:** **14 Years**

(21) **Appl. No.:** **29/136,890**

(22) **Filed:** **Feb. 9, 2001**

(30) **Foreign Application Priority Data**

Aug. 11, 2000 (JP) 2000-022340
Aug. 11, 2000 (JP) 2000-022342

(51) **LOC (7) Cl.** **13-03**

(52) **U.S. Cl.** **D13/133**

(58) **Field of Search** D13/133, 171,
D13/174; D21/333; 439/30, 928.1

(56) **References Cited**

U.S. PATENT DOCUMENTS

D191,399 S * 9/1961 Leach D13/146
D299,641 S * 1/1989 Rossum, Jr. D13/133
D333,293 S 2/1993 Ashida
D361,978 S 9/1995 Shirai et al.
D378,912 S * 4/1997 Oikawa D13/147

D381,623 S 7/1997 Sugino et al.
5,816,841 A * 10/1998 Grant 439/354
D448,006 S * 9/2001 Lee D13/133
D453,320 S * 2/2002 Sugino D13/147

* cited by examiner

Primary Examiner—Joel Sincavage

(74) *Attorney, Agent, or Firm*—Nixon & Vanderhye P.C.

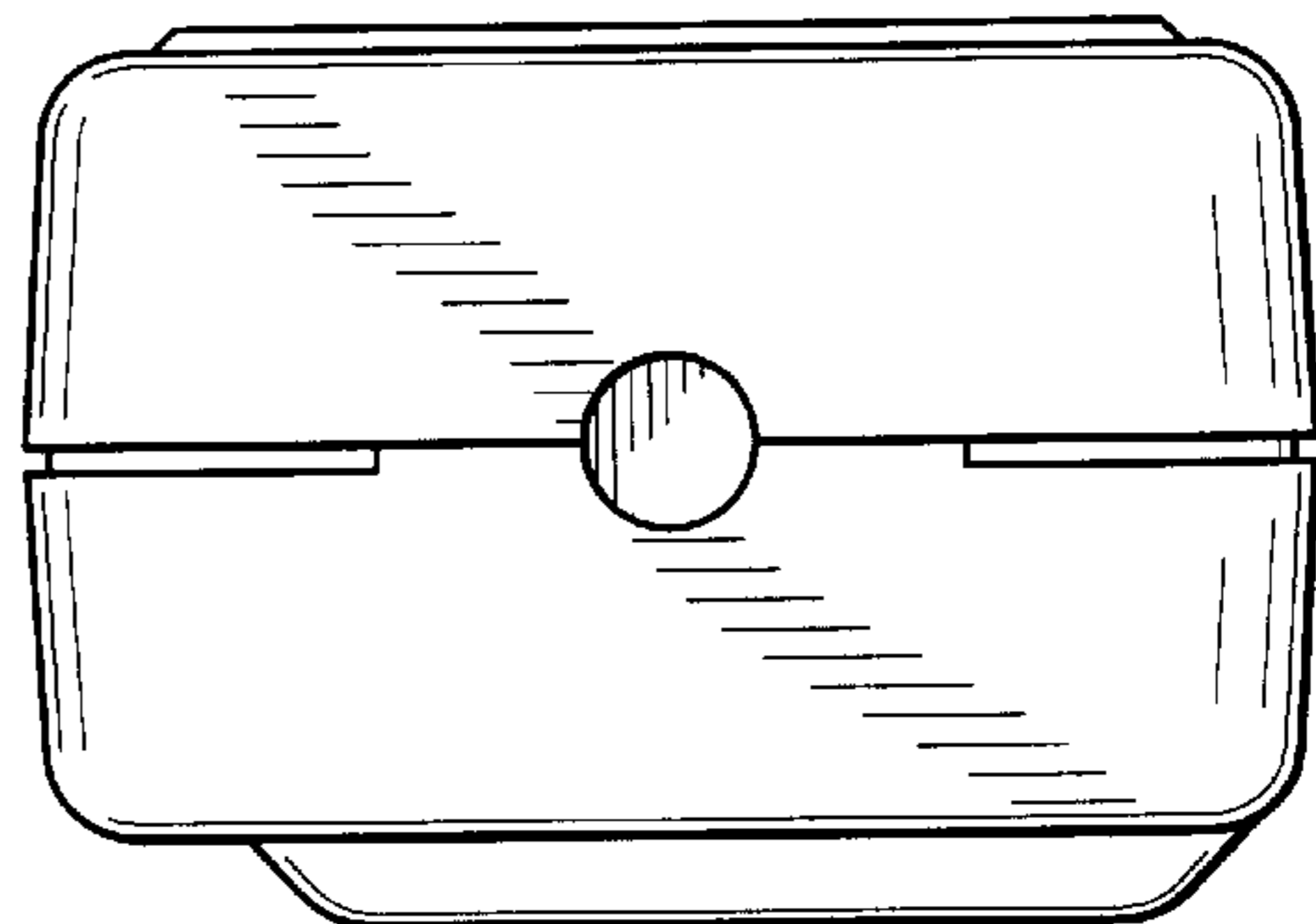
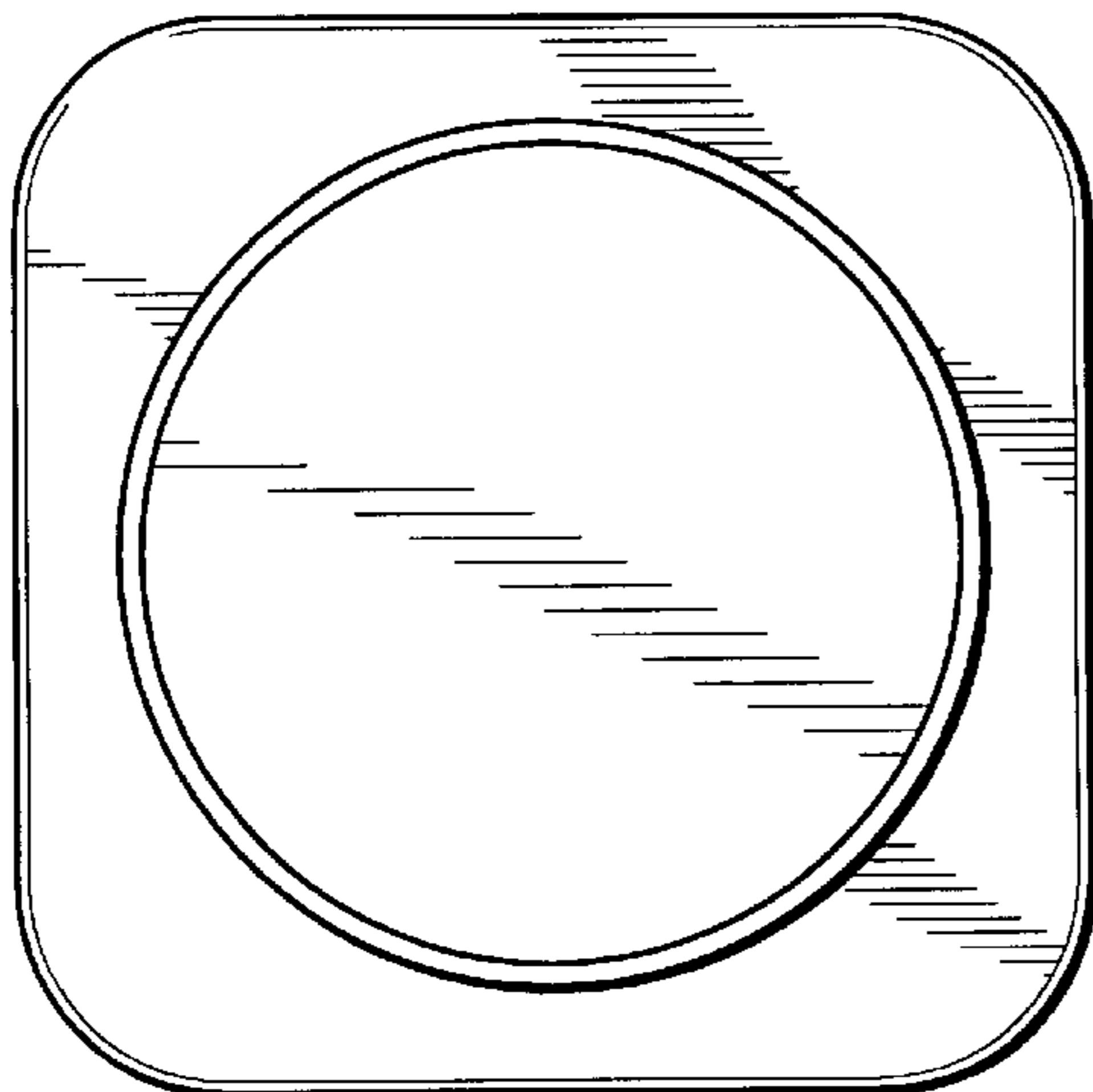
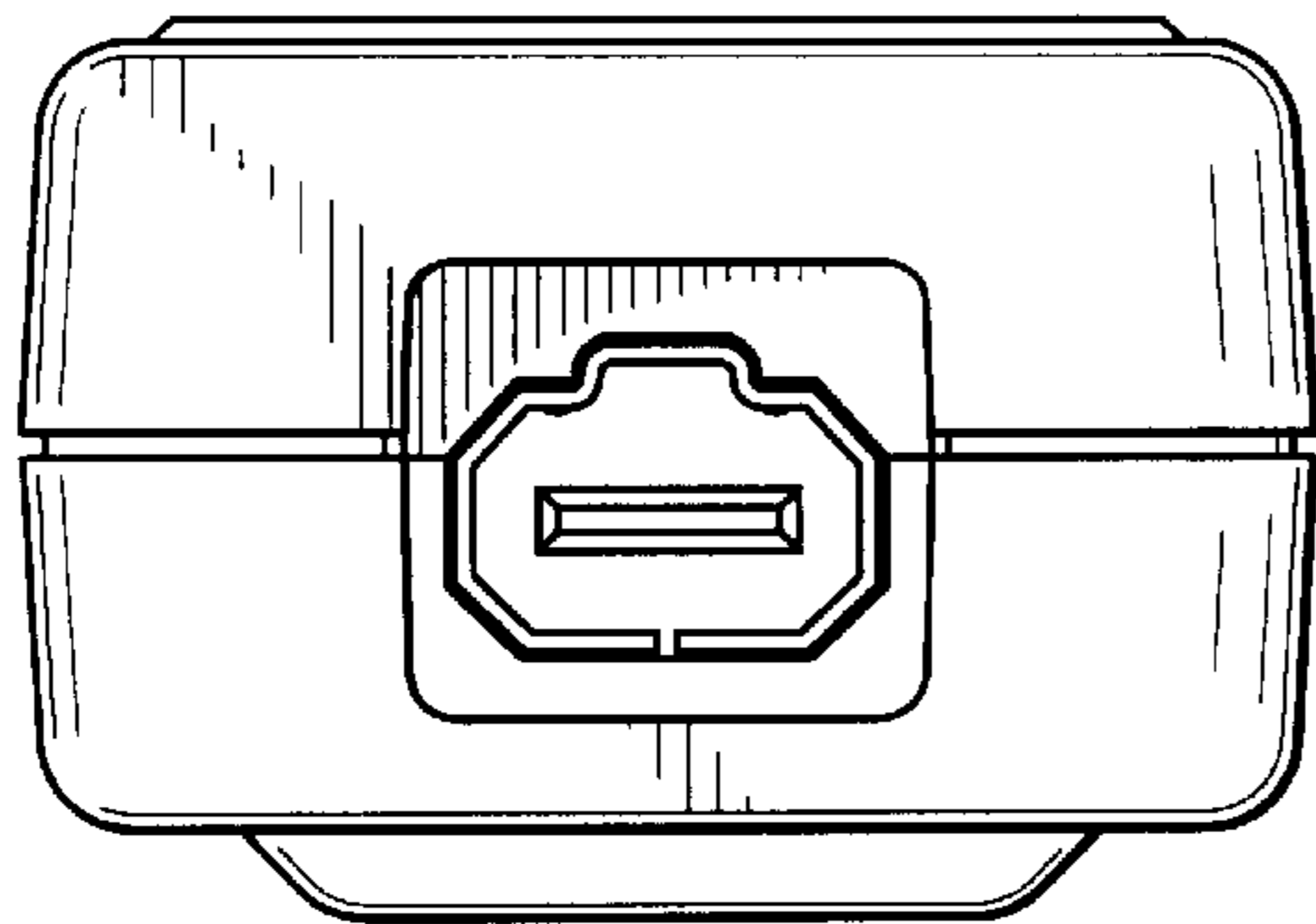
(57) **CLAIM**

The ornamental design for a “cable connection adapter”, as shown and described.

DESCRIPTION

FIG. 1 is a front elevational view of a cable connection adapter showing a first embodiment; FIG. 2 is a top plan view thereof; FIG. 3 is a rear elevational view thereof; FIG. 4 is a bottom plan view thereof; FIG. 5 is a right side view thereof; FIG. 6 is a front elevational view of a cable connection adapter showing a second embodiment; FIG. 7 is a top plan view thereof; FIG. 8 is a rear elevational view thereof; FIG. 9 is a bottom plan view thereof; and, FIG. 10 is a right side view thereof.

1 Claim, 4 Drawing Sheets



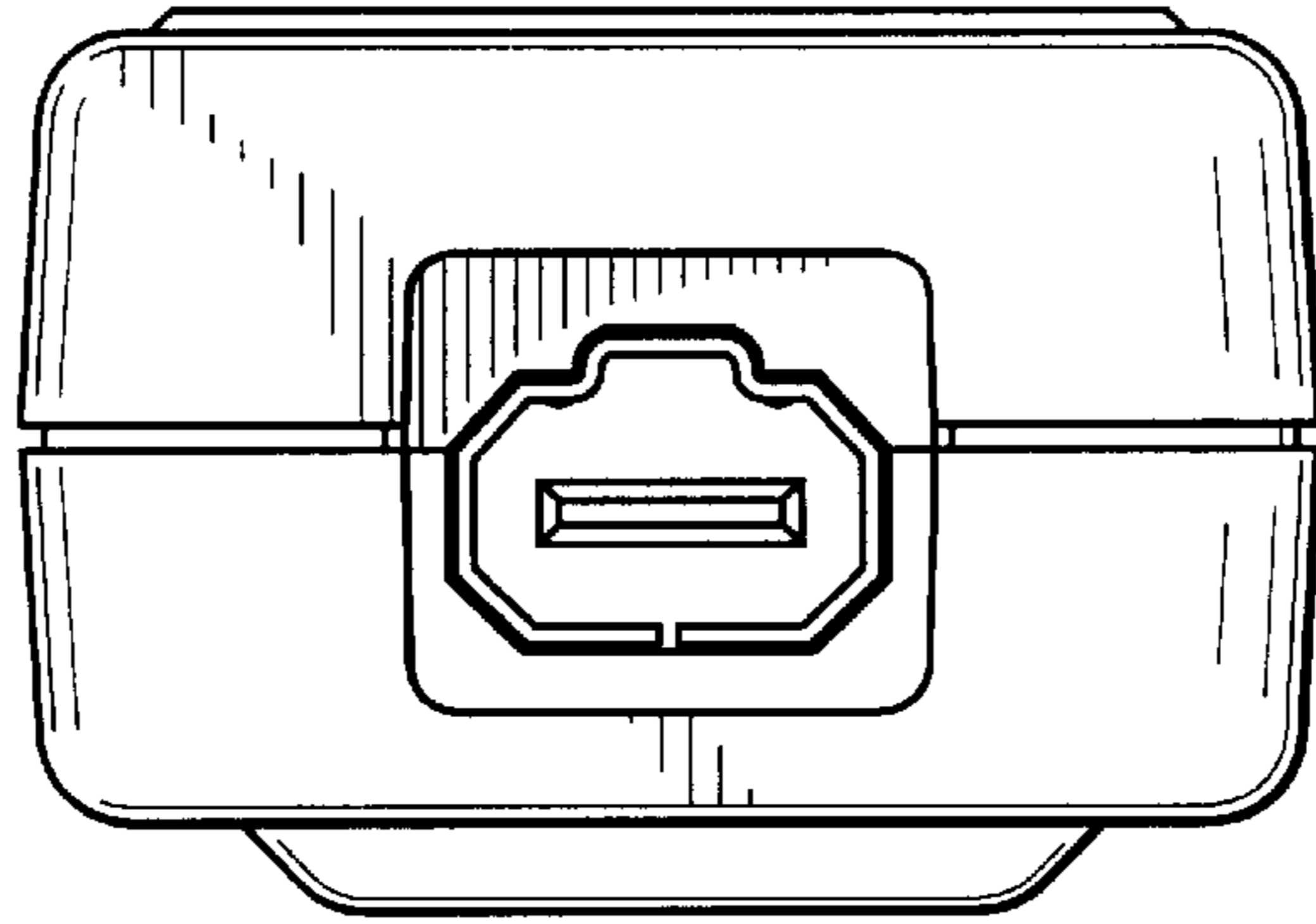


Fig.1

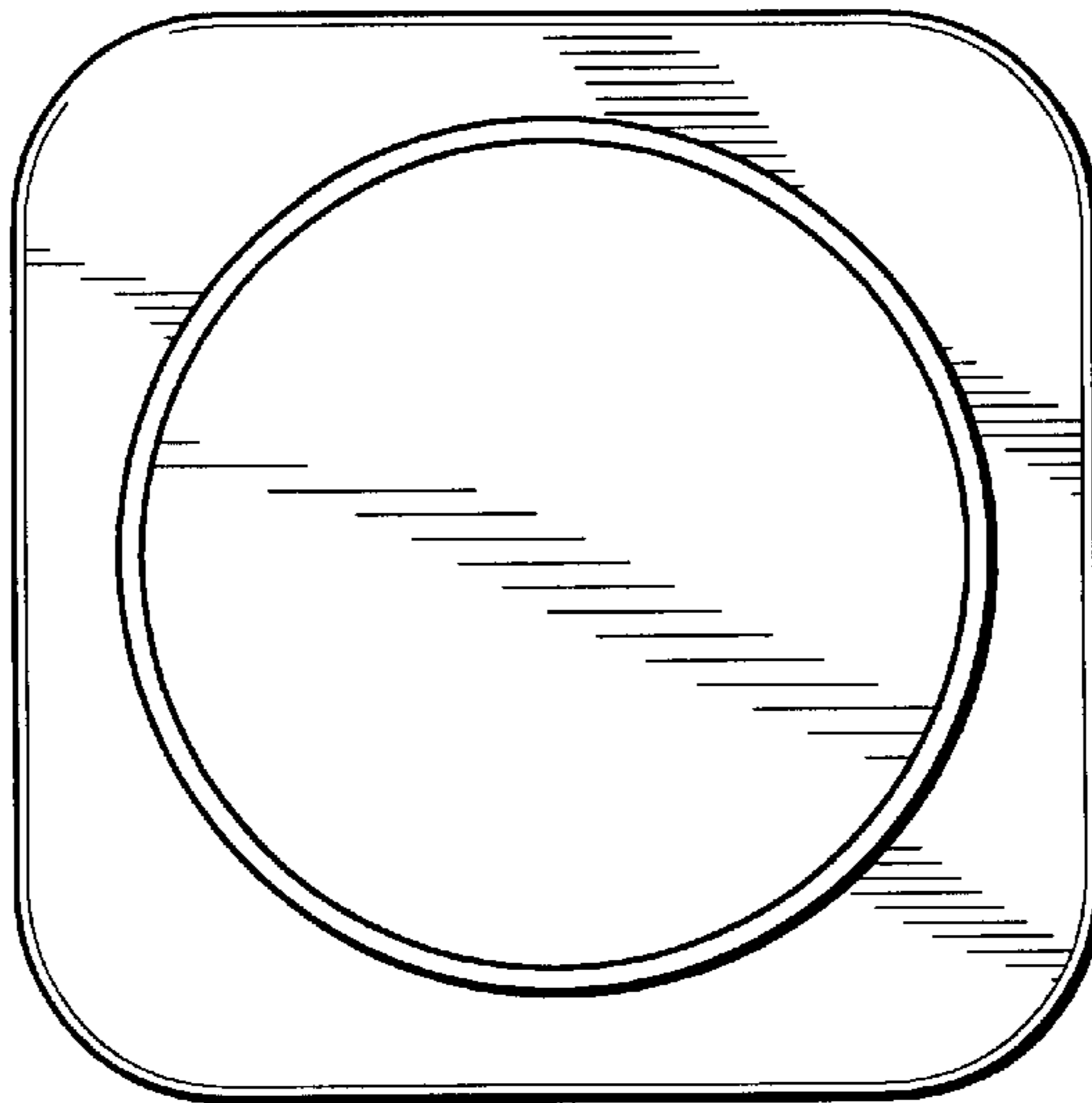


Fig.2

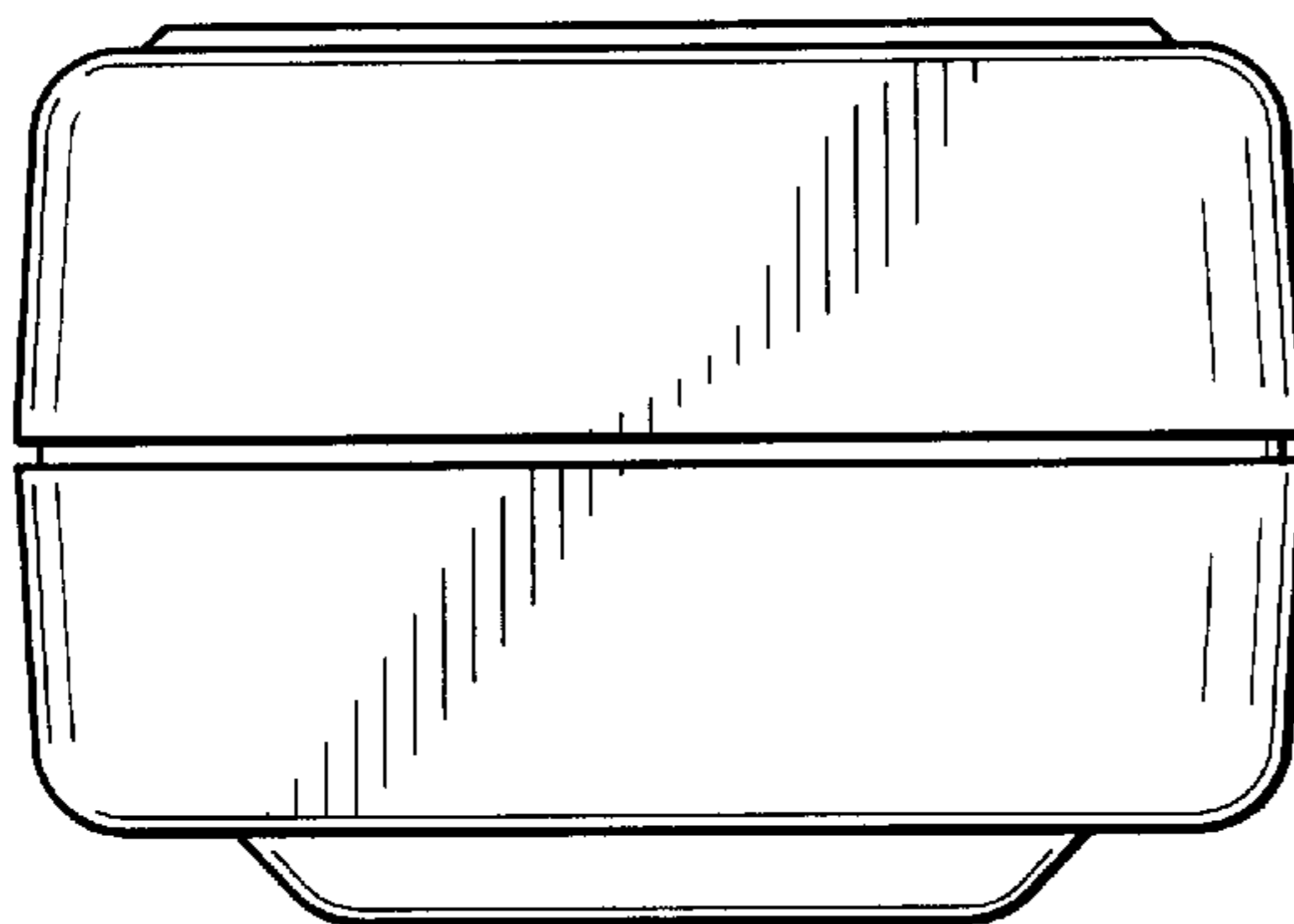


Fig.3

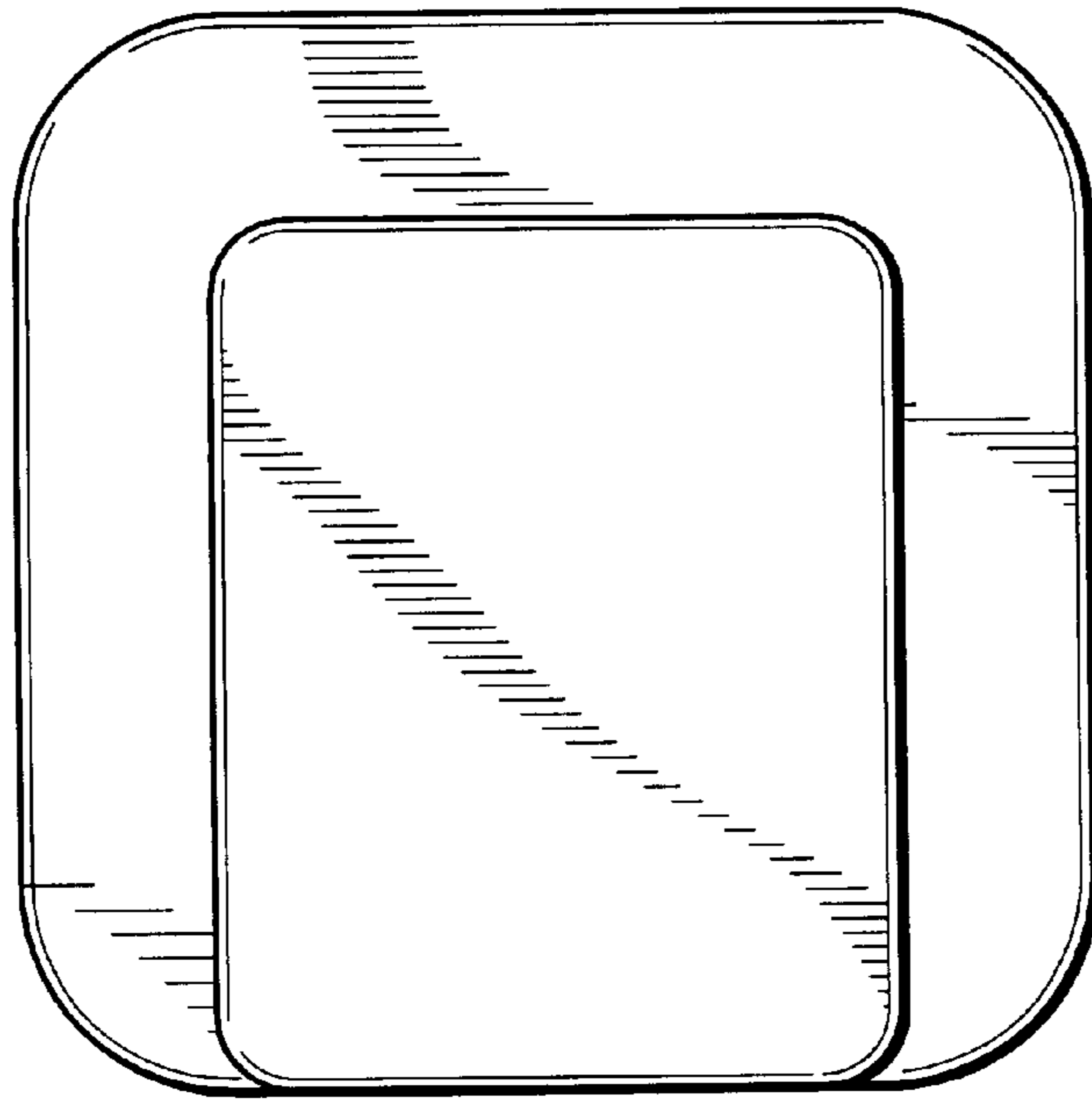


Fig.4

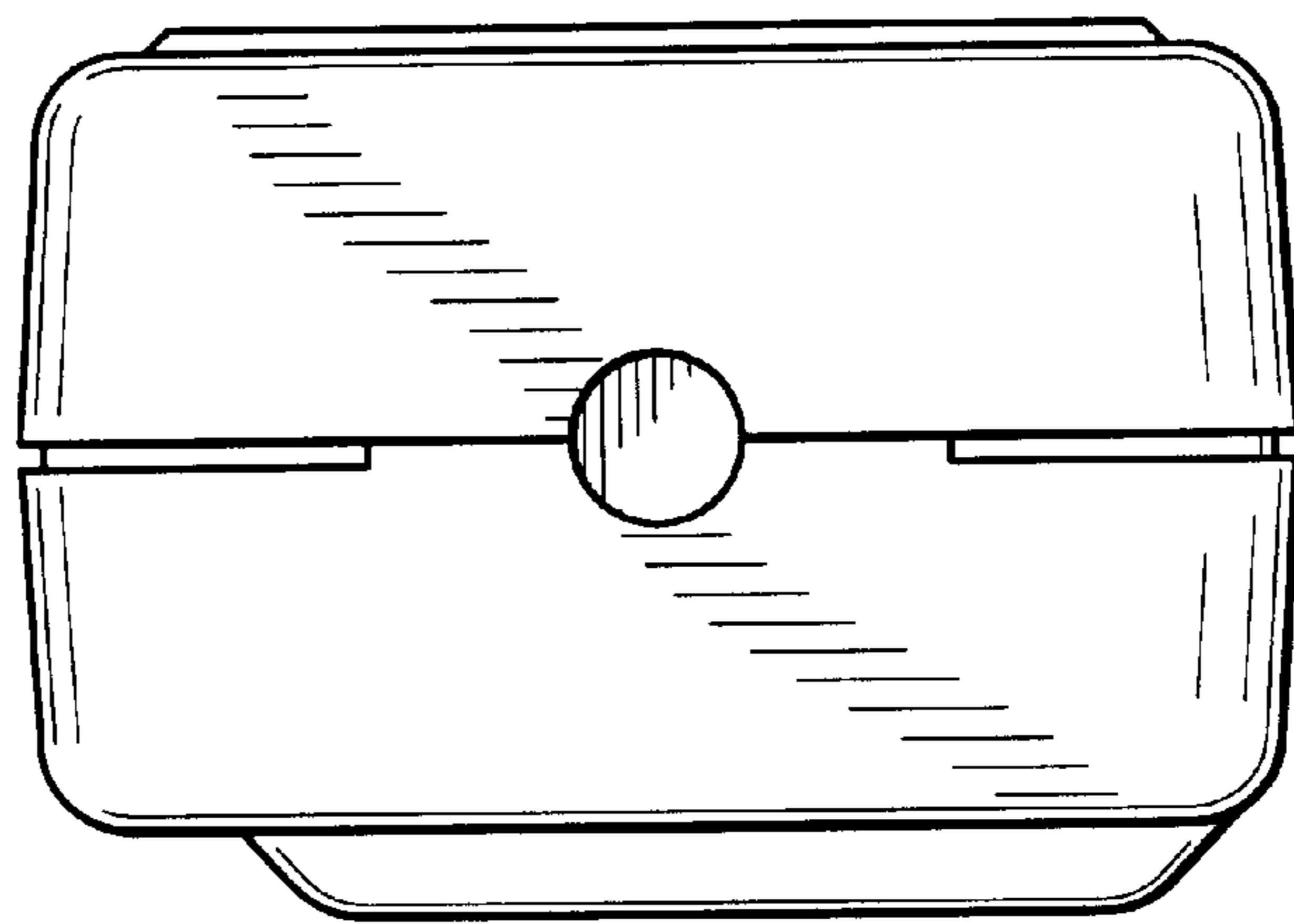


Fig.5

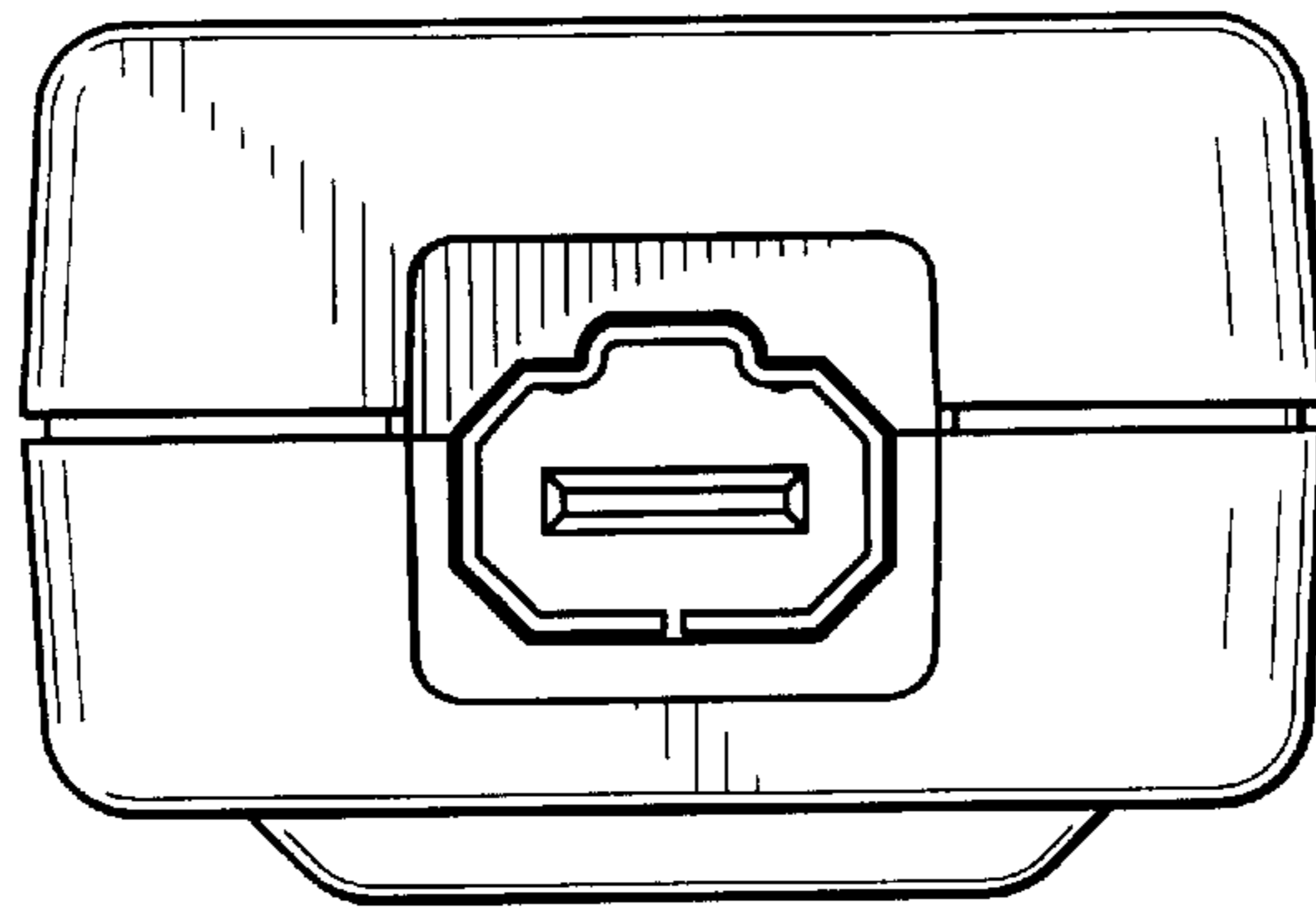


Fig.6

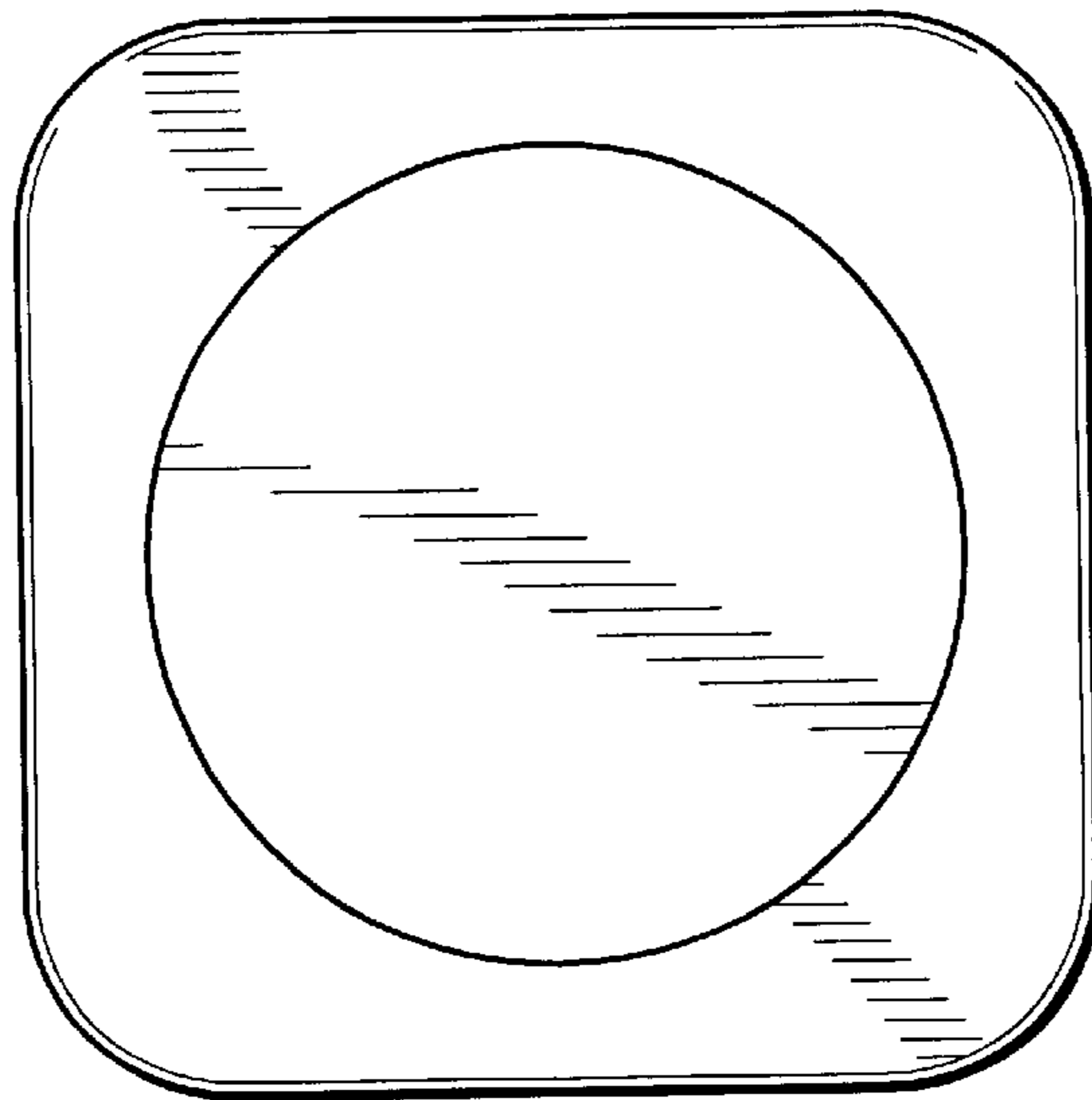


Fig.7

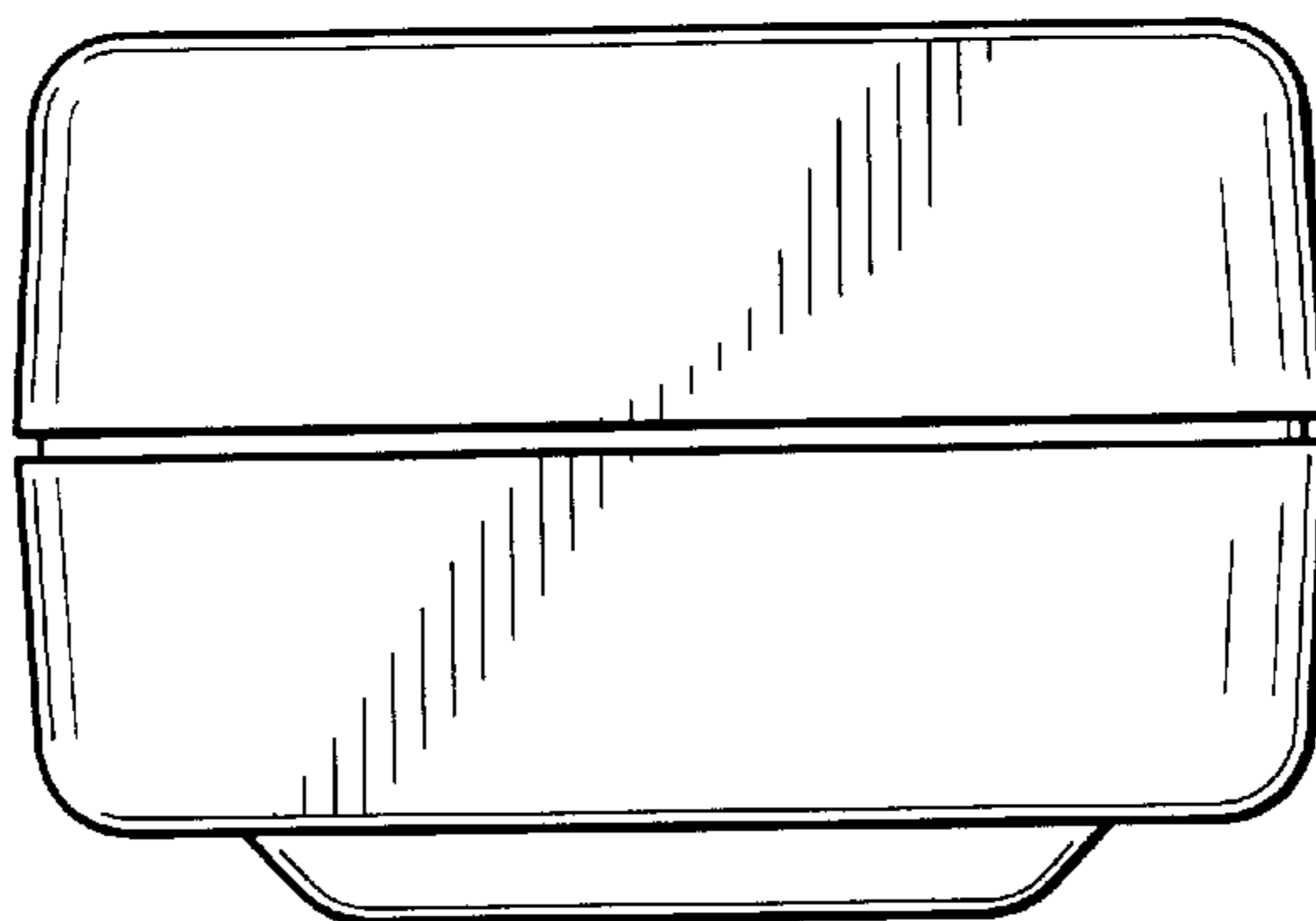


Fig.8

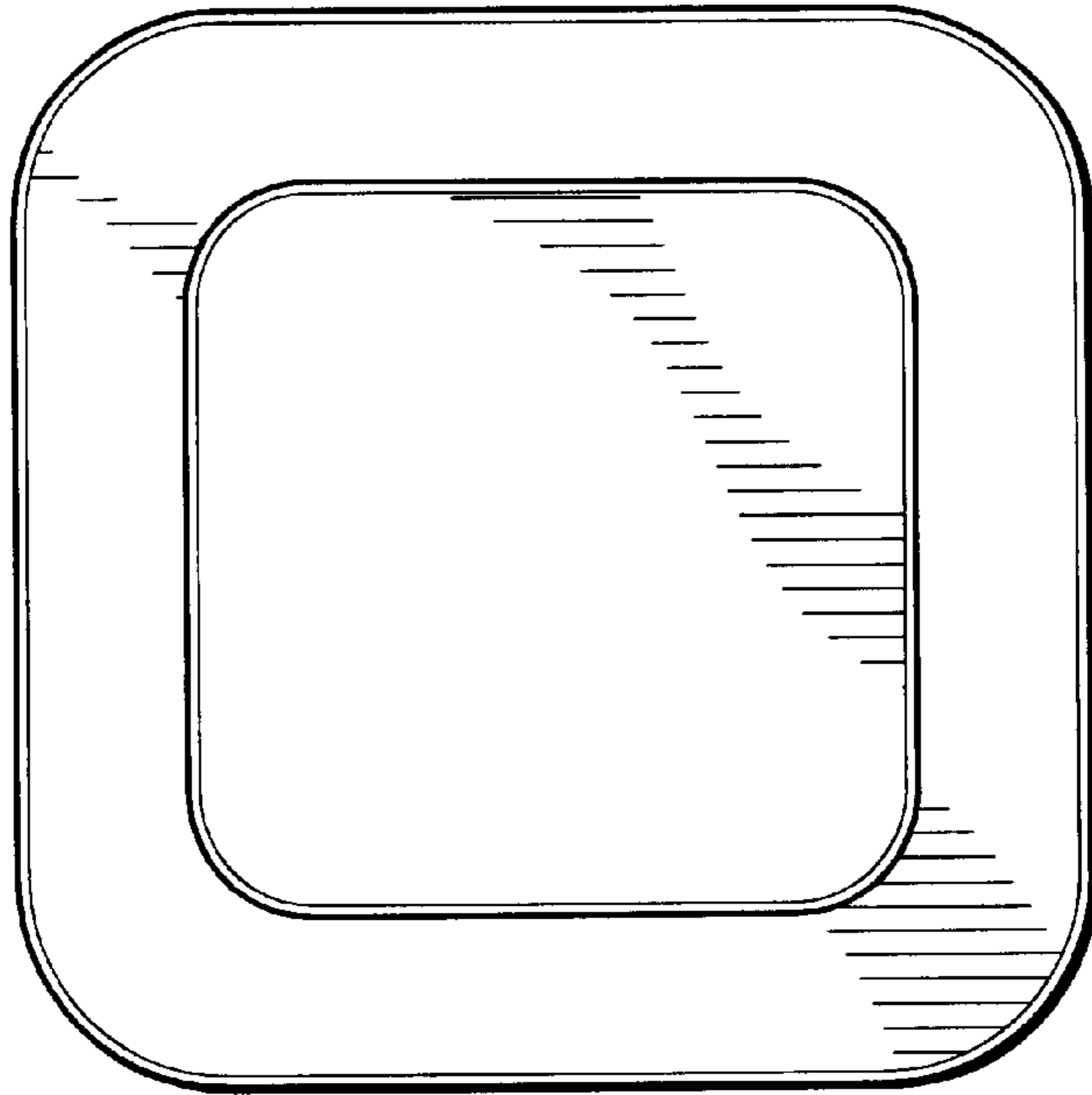


Fig.9

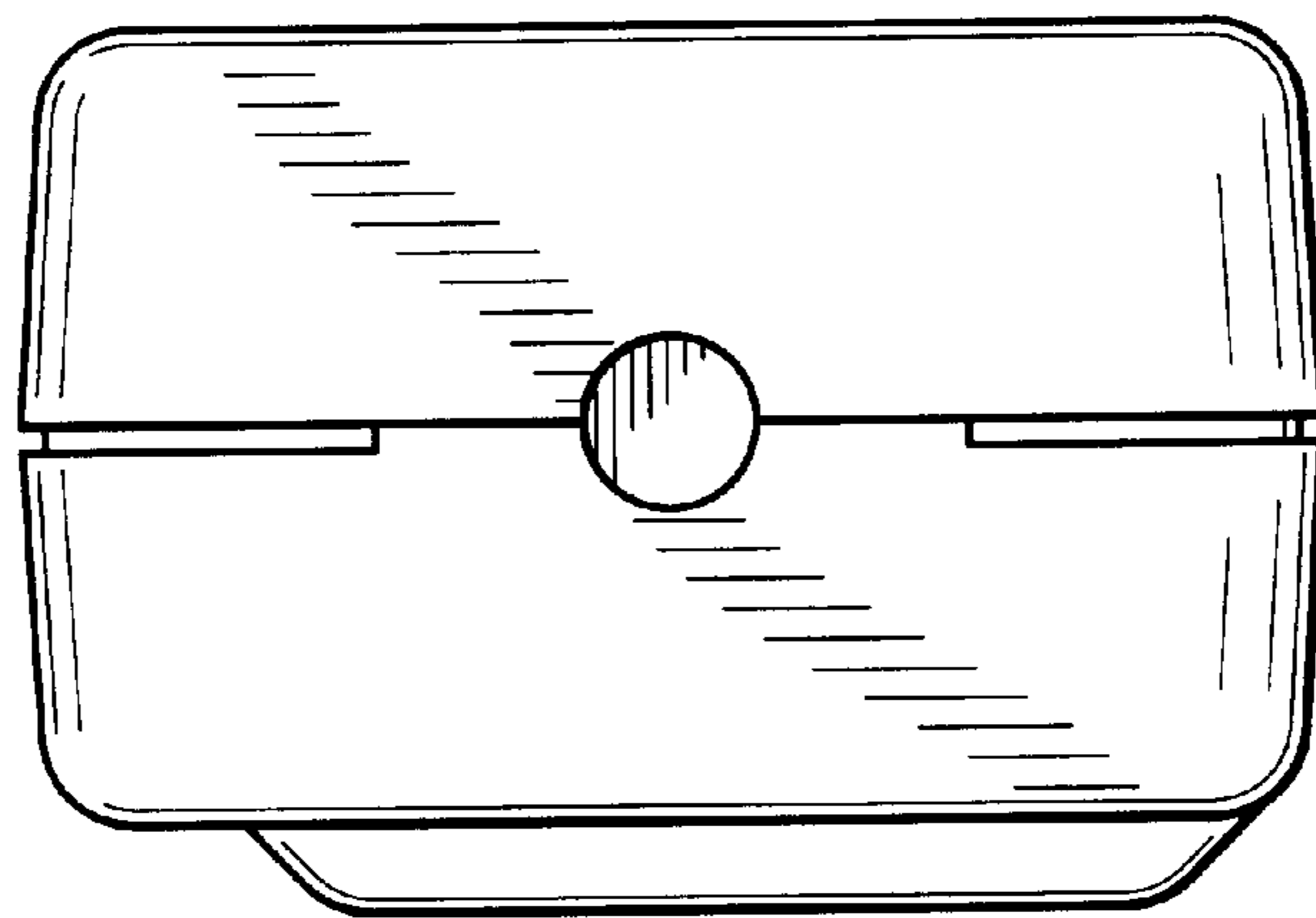


Fig.10