



US00D468263S

(12) **United States Design Patent**
Lee

(10) **Patent No.:** **US D468,263 S**

(45) **Date of Patent:** **** Jan. 7, 2003**

(54) **PRO POWER CENTER (OVAL DISPLAY TABLE MOUNT)**

D404,396 S * 1/1999 Mackie et al. D14/188
D418,136 S * 12/1999 Kizawa D14/188

(75) Inventor: **Kendrew Lee**, Fremont, CA (US)

* cited by examiner

(73) Assignee: **Monster Cable Products, Inc.**,
Brisbane, CA (US)

Primary Examiner—Joel Sincavage

(74) *Attorney, Agent, or Firm*—LaRiviere, Grubman & Payne, LLP

(**) Term: **14 Years**

(57) **CLAIM**

(21) Appl. No.: **29/163,012**

The ornamental design for a pro power center (oval display table mount), as shown in the accompanying drawings.

(22) Filed: **Jun. 24, 2002**

DESCRIPTION

Related U.S. Application Data

(62) Division of application No. 29/135,120, filed on Jan. 5, 2001.

(51) **LOC (7) Cl.** **13-03**

(52) **U.S. Cl.** **D13/123**

(58) **Field of Search** D13/110, 123,
D13/164; D14/188; 361/724, 797

A portion of the disclosure of this design patent document contains material which is subject to copyright protection. The copyright owner has no objection to the facsimile reproduction by anyone of the patent document or the patent disclosure, as it appears in the U.S. Patent and Trademark Office patent files or records, but otherwise reserves all copyright rights whatsoever.

This application is also related to the following Divisional Design Applications: Pro Power Center (Rectangular Display), application Ser. No. 29/163,011; Pro Power Center (Oval Display Rack Mount), application Ser. No. 29/163,010; Tall Pro Power Center (Oval Display Table Mount), Ser. No. 29/163,002; Pro Power Center (No Display), and application Ser. No. 29/162,997.

(56) **References Cited**

U.S. PATENT DOCUMENTS

D161,636 S	*	1/1951	Manning	D14/496
D212,328 S	*	10/1968	Pogue	D13/164
D219,026 S	*	10/1970	Shmurak et al.	D13/110
4,012,089 A	*	3/1977	Ward	312/236
D263,395 S	*	3/1982	Karas et al.	D14/100
D272,151 S	*	1/1984	Nomura et al.	D14/198
D284,081 S	*	6/1986	Taylor	D14/257
D316,716 S	*	5/1991	Nagata	D14/188
D338,671 S	*	8/1993	Ito et al.	D14/160
D339,101 S	*	9/1993	Delamoreaux et al.	D13/110
D346,148 S	*	4/1994	Chen	D13/110
D360,191 S	*	7/1995	Carl et al.	D13/164 X
D368,261 S	*	3/1996	Shushurin	D14/188
D370,677 S	*	6/1996	Olson	D14/188
D373,589 S	*	9/1996	Peterson et al.	D14/188 X
5,567,176 A	*	10/1996	Chiou	D13/110 X
D381,317 S	*	7/1997	Yu	D13/164 X
D392,615 S	*	3/1998	Basile	D13/123
D395,654 S	*	6/1998	Mackie et al.	D14/188
D402,626 S	*	12/1998	Fujita et al.	D13/110

FIG. 1 is a perspective view of a pro power center (oval display table mount), in accordance with the present invention.

FIG. 2 is a plan view of a pro power center (oval display table mount), in accordance with the present invention.

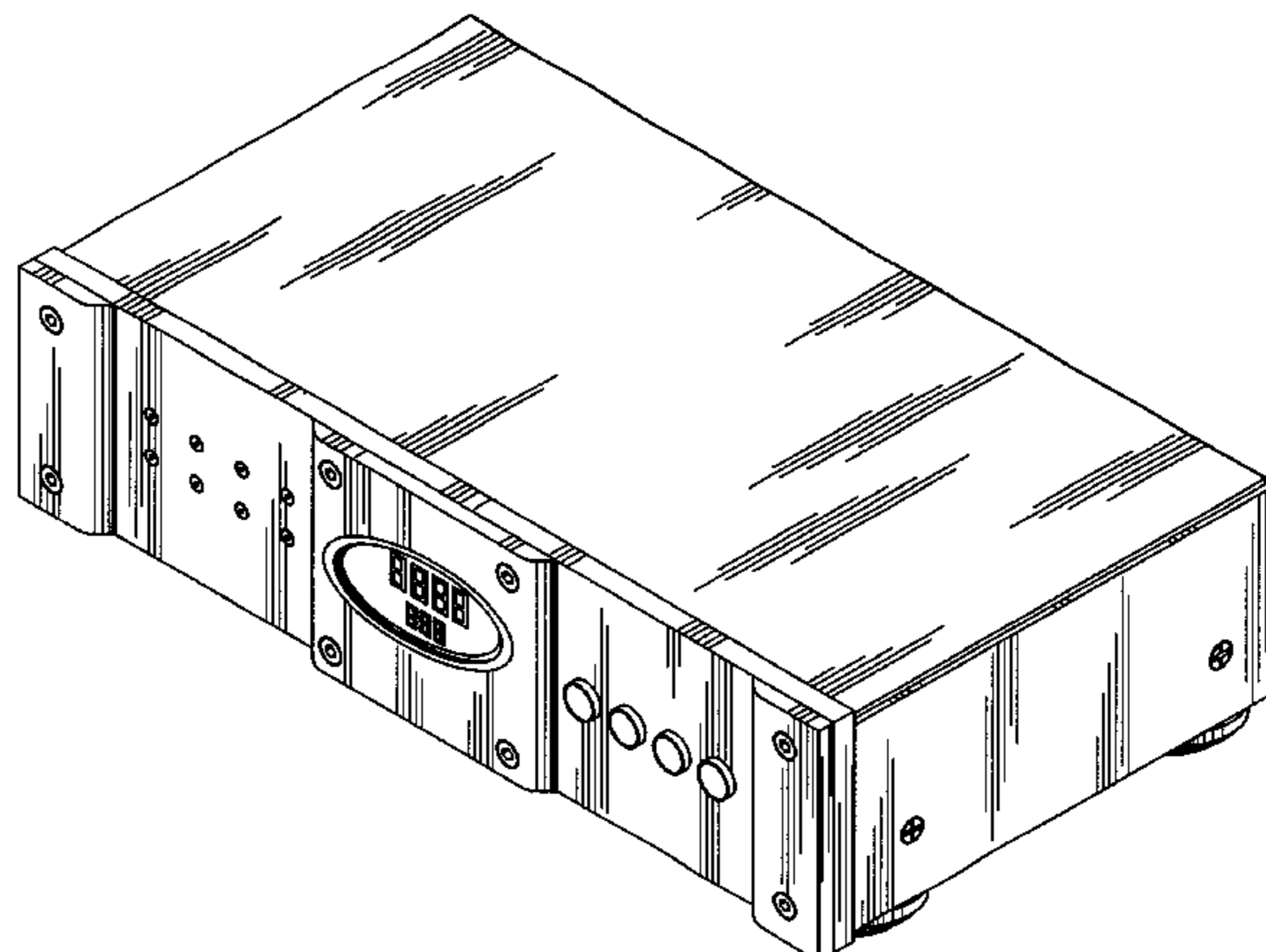
FIG. 3 is an underside view of a pro power center (oval display table mount), in accordance with the present invention.

FIG. 4 is a side view of a pro power center (oval display table mount), in accordance with the present invention.

FIG. 5 is a corresponding side view a pro power center (oval display table mount), in accordance with the present invention.

FIG. 6 is a rear view of a pro power center (oval display table mount), in accordance with the present invention; and,

FIG. 7 is a frontal view of a pro power center (oval display table mount), in accordance with the present invention.



1 Claim, 3 Drawing Sheets

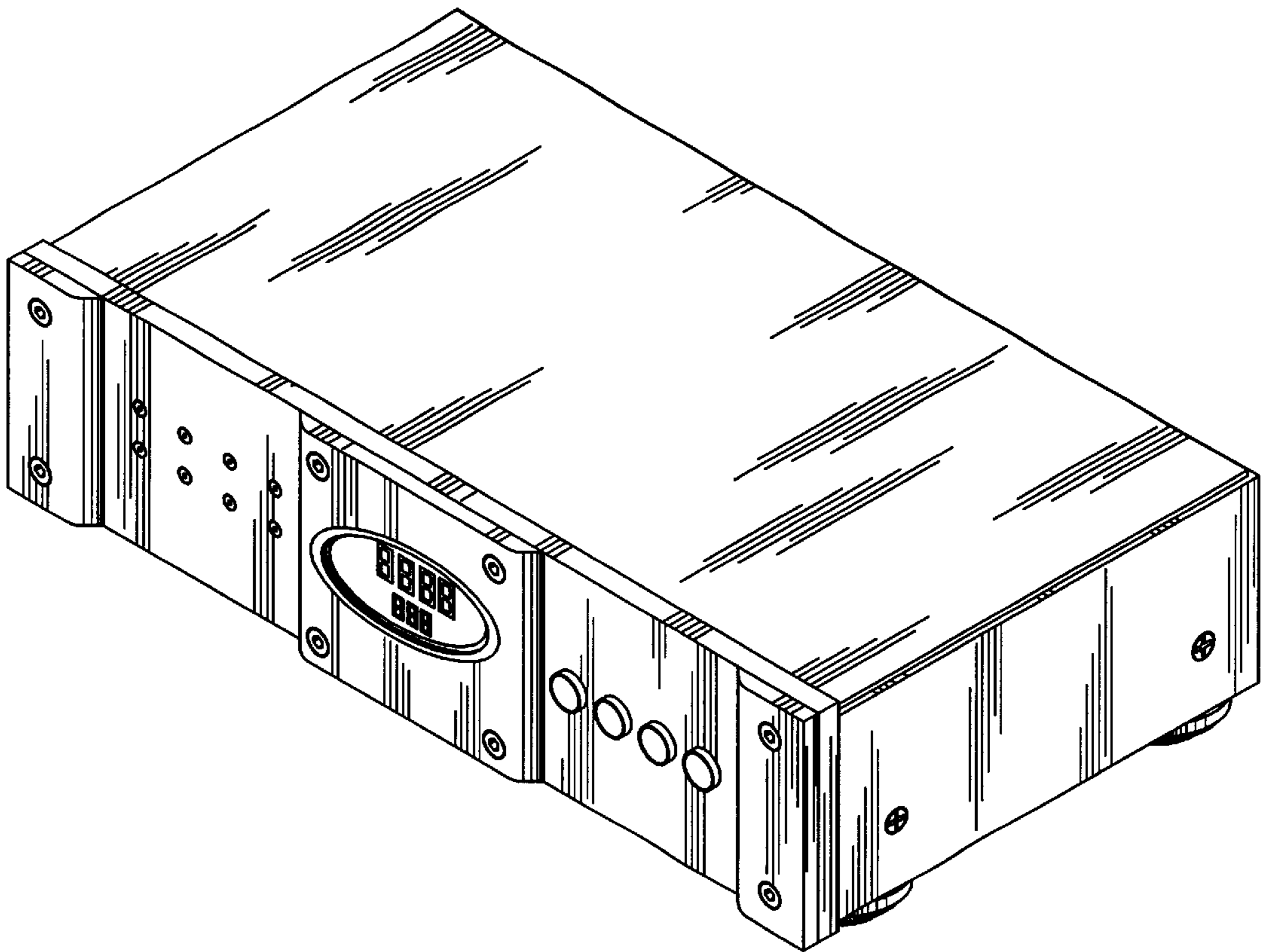


Figure 1



Figure 2



Figure 3

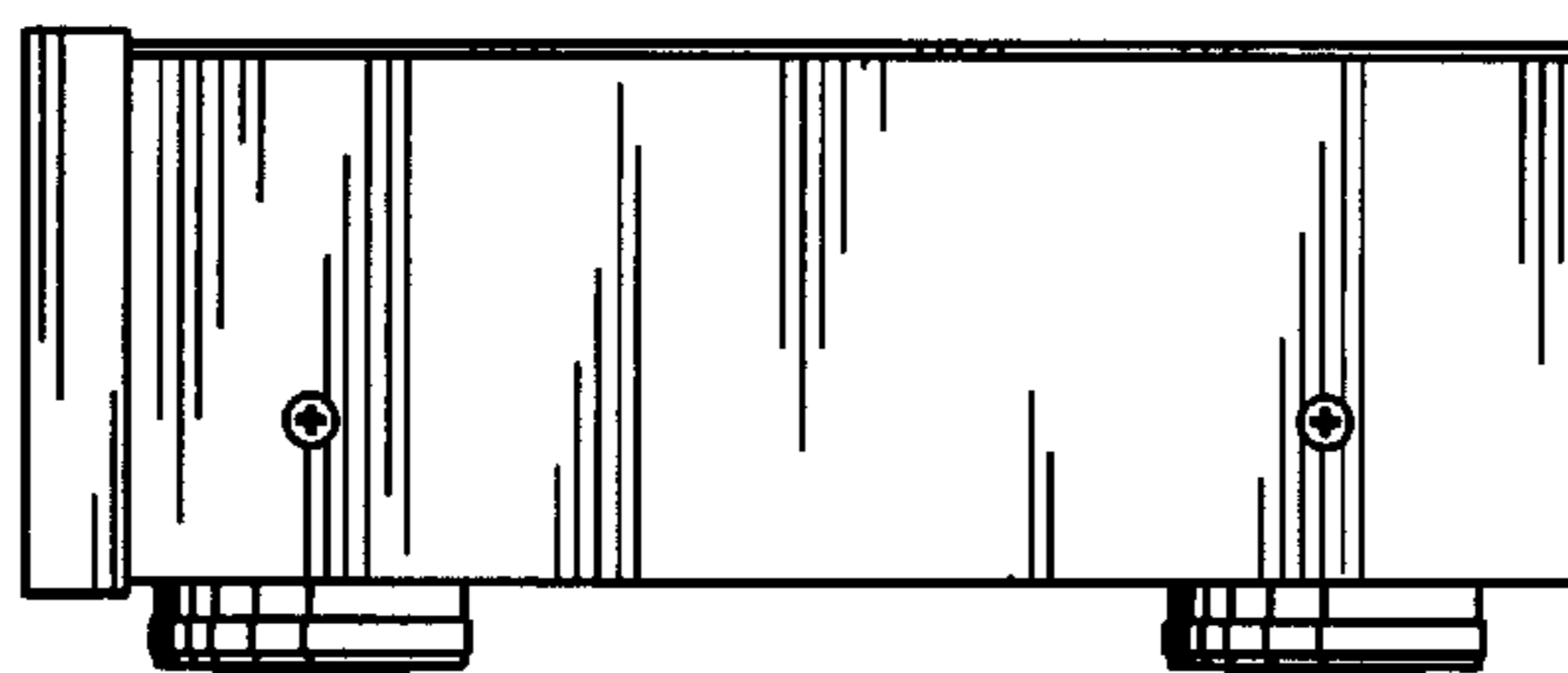


Figure 4

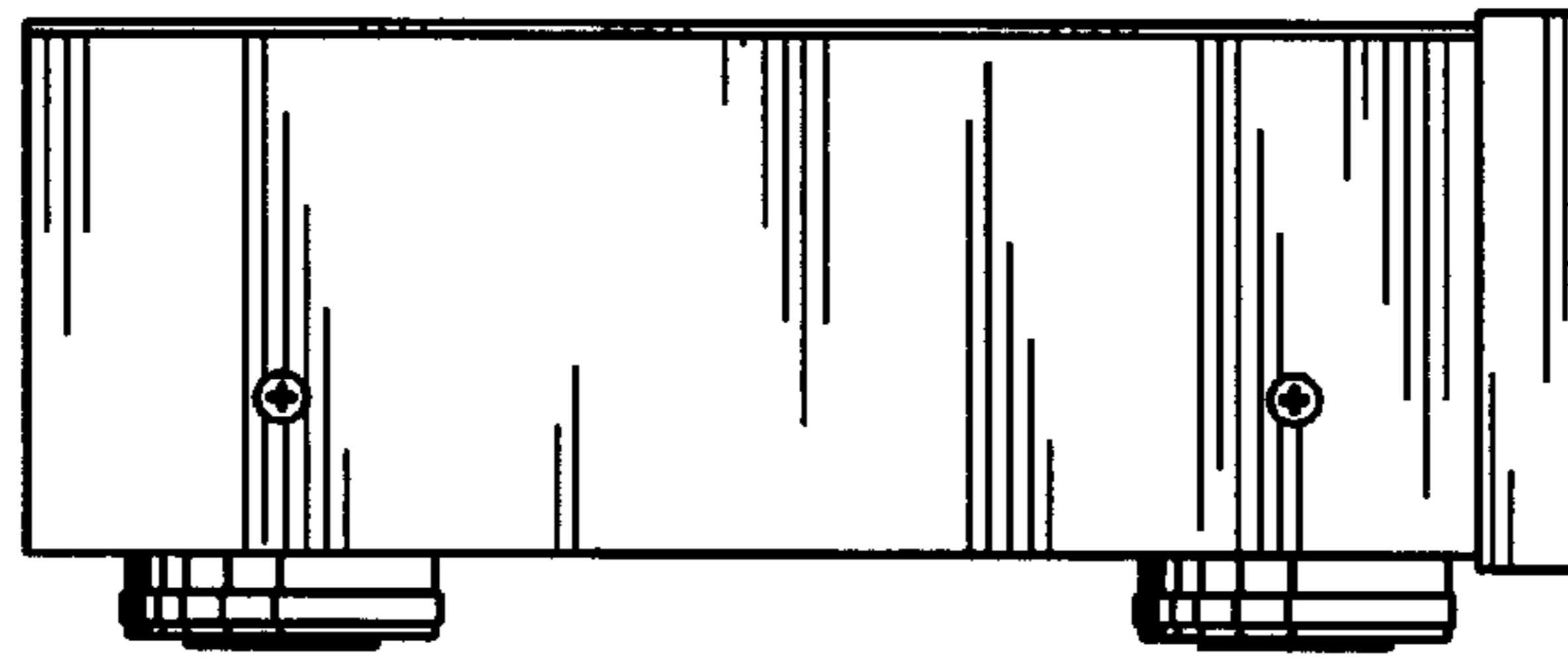


Figure 5

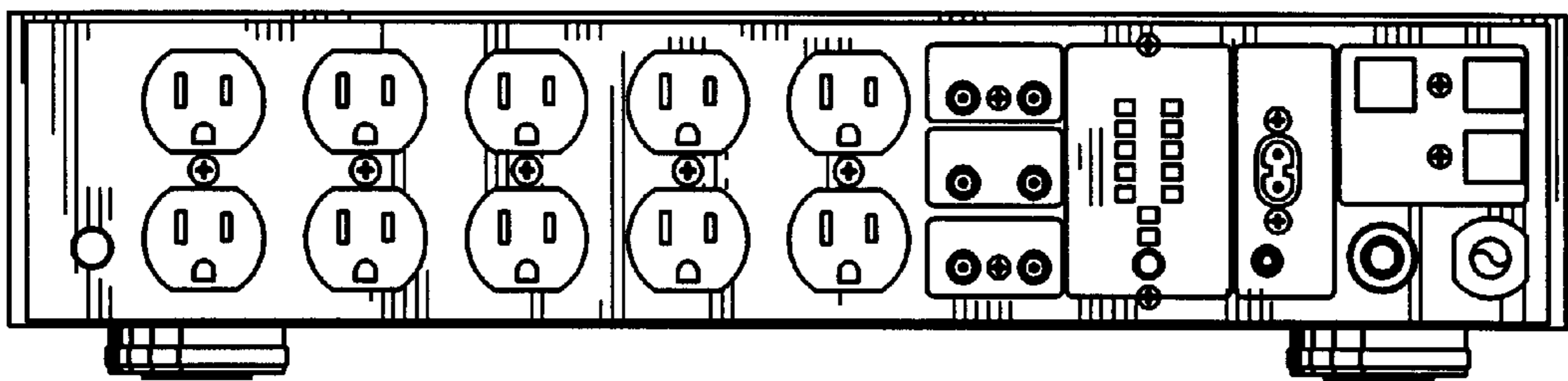


Figure 6

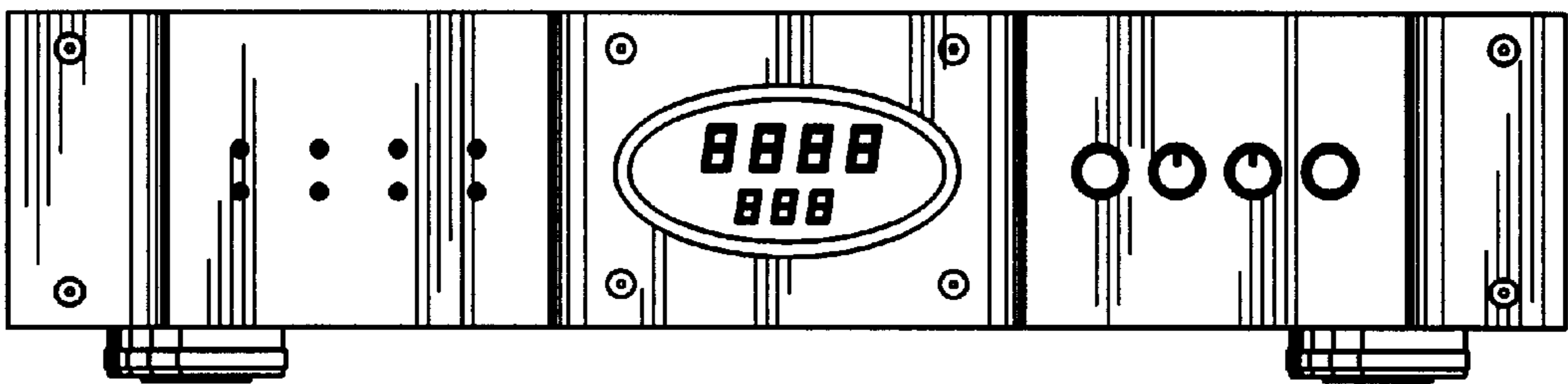


Figure 7