



US00D468261S

(12) **United States Design Patent**
Peng

(10) **Patent No.:** **US D468,261 S**

(45) **Date of Patent:** **** Jan. 7, 2003**

(54) **COVER FOR A BATTERY BOX**

D450,653 S * 11/2001 Hertel et al. D13/119
6,367,646 B1 * 4/2002 Hoagland et al. 220/533

(76) **Inventor:** **I-Hsin Peng**, No. 410, Sec. 2, Ho-Nan Rd., Taichung (TW)

* cited by examiner

(**) **Term:** **14 Years**

Primary Examiner—Joel Sincavage
(74) *Attorney, Agent, or Firm*—Rabin & Berdo, P.C.

(21) **Appl. No.:** **29/155,045**

(57) **CLAIM**

(22) **Filed:** **Feb. 5, 2002**

The ornamental design for a cover for a battery box, as shown and described.

(51) **LOC (7) Cl.** **13-02**

(52) **U.S. Cl.** **D13/119**

(58) **Field of Search** D13/119; 429/122,
429/149, 153, 159, 163, 167, 175, 176,
179; 180/68.5; 248/503

DESCRIPTION

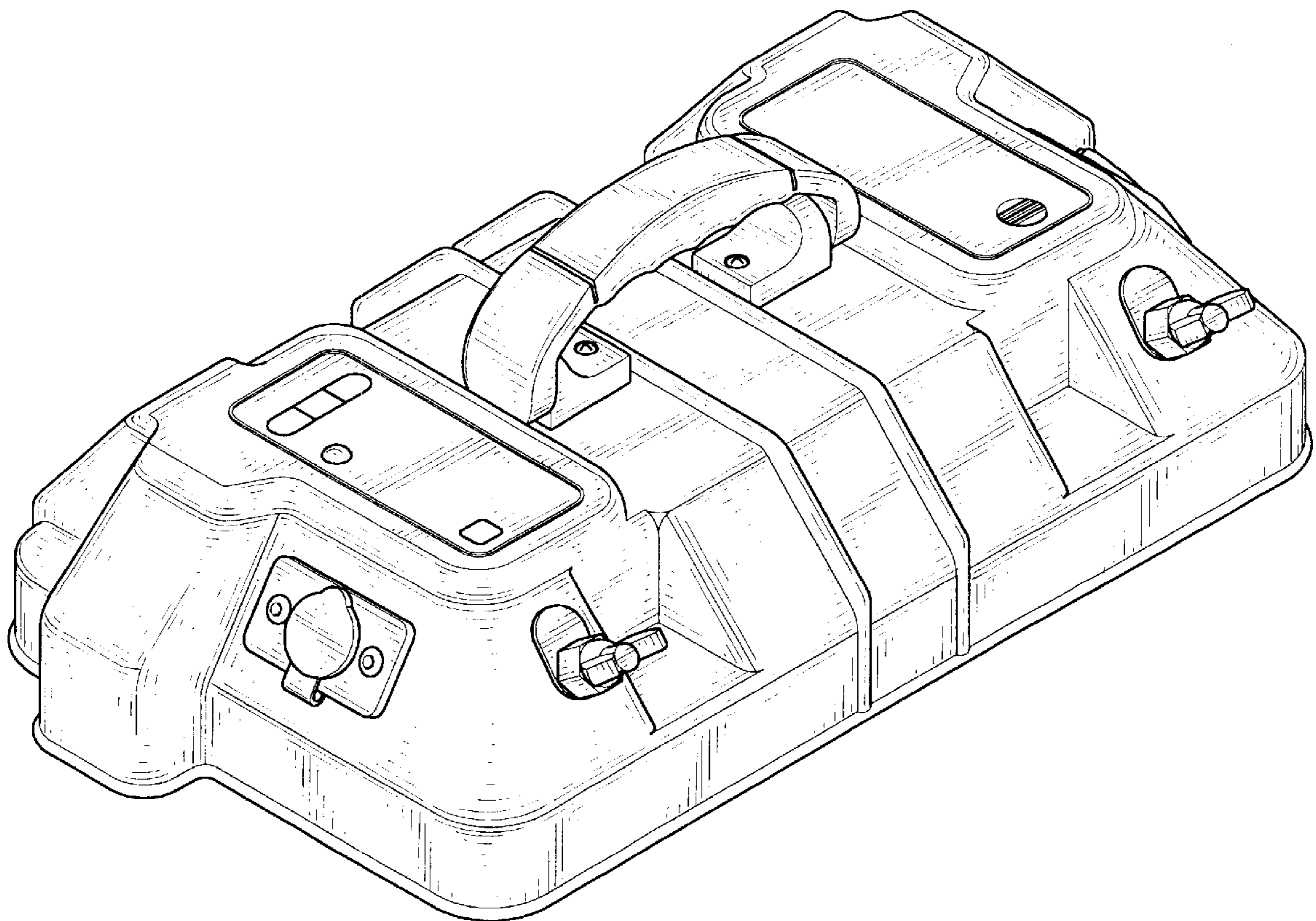
(56) **References Cited**

U.S. PATENT DOCUMENTS

- D235,454 S * 6/1975 Lindow, Jr. D13/119
- 4,160,857 A * 7/1979 Nardella et al. 429/97
- D299,639 S * 1/1989 Anderson et al. D13/119
- 5,004,129 A * 4/1991 Loch et al. 429/97 X
- D352,498 S * 11/1994 Beidler et al. D13/119
- 5,607,794 A * 3/1997 Koenig 429/100
- D449,578 S * 10/2001 Rogers D13/119

FIG. 1 is a front-left-top perspective view of a cover for a battery box, showing my new design;
FIG. 2 is a front elevational view thereof;
FIG. 3 is a rear elevational view thereof;
FIG. 4 is a left side elevational view thereof;
FIG. 5 is a right side elevational view thereof;
FIG. 6 is a top plan view thereof; and,
FIG. 7 is a bottom plan view thereof, wherein the broken lines are shown for illustrative purposes only and form no part of the claimed design.

1 Claim, 4 Drawing Sheets



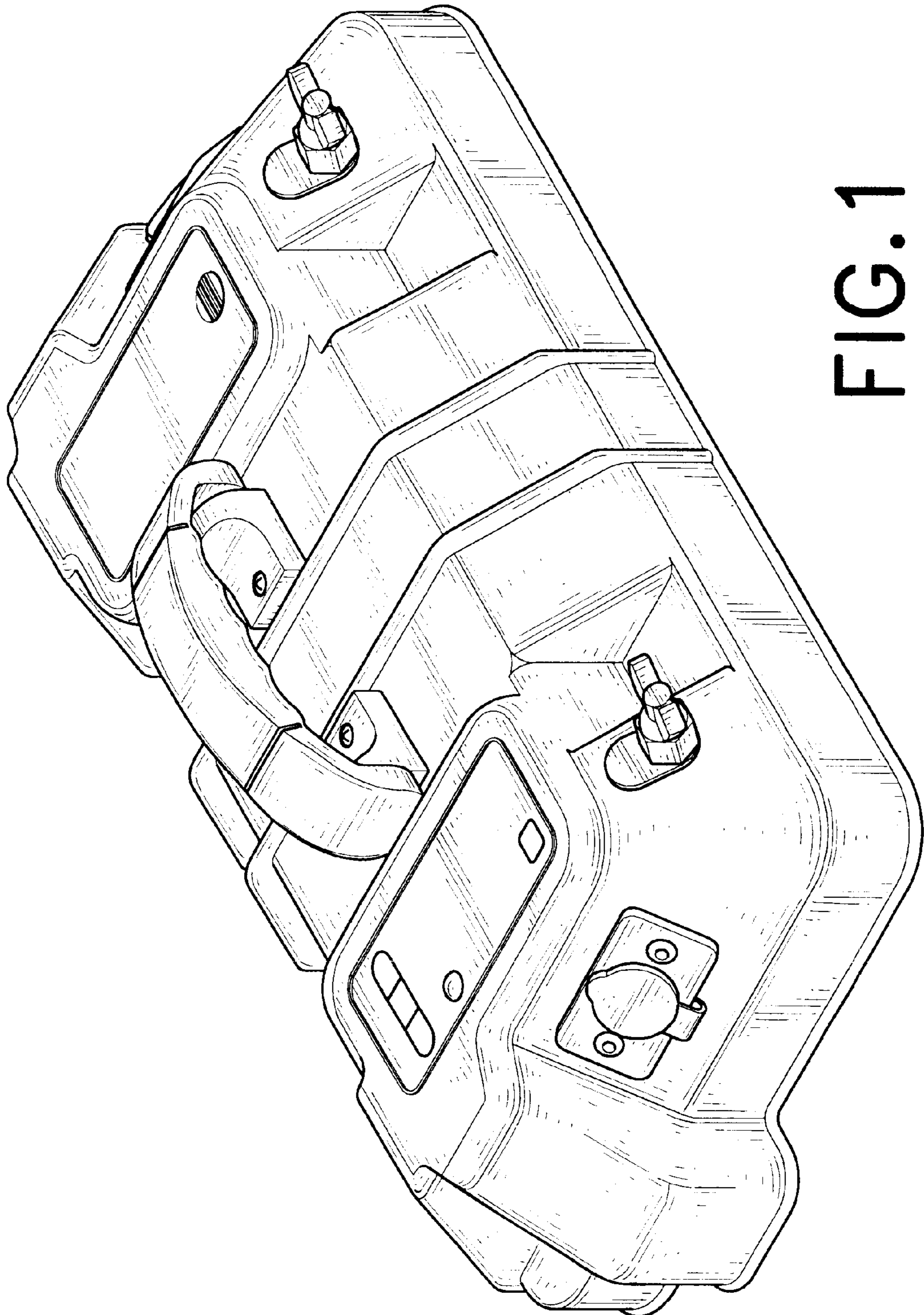


FIG. 1

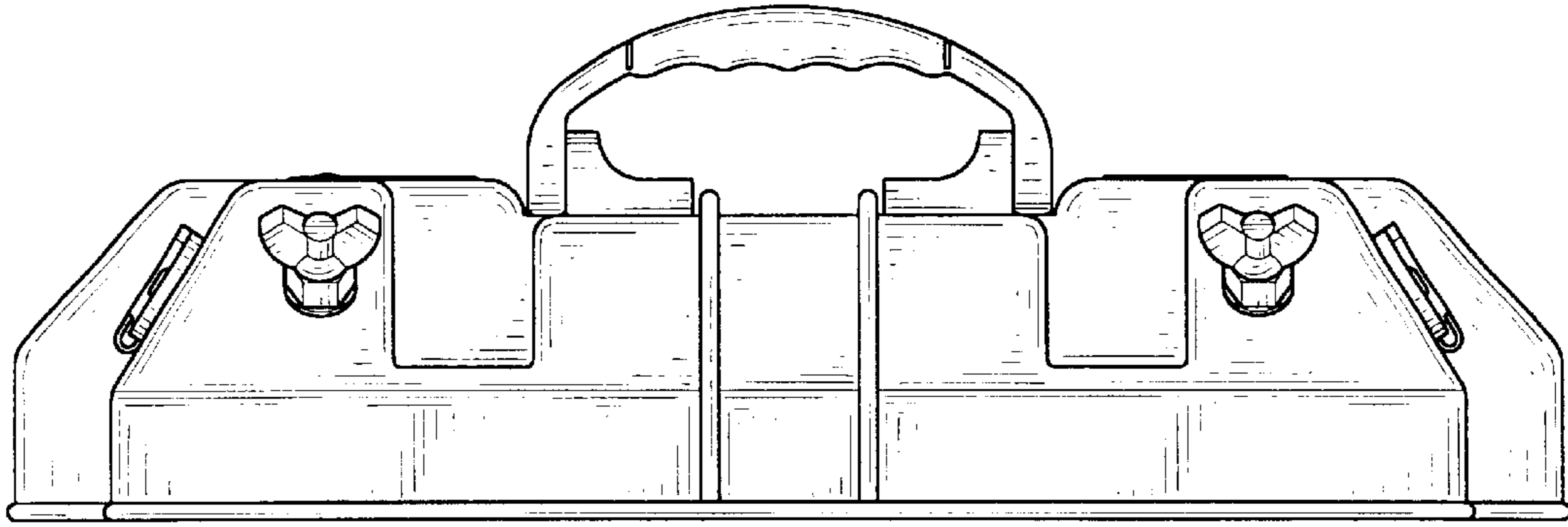


FIG. 2

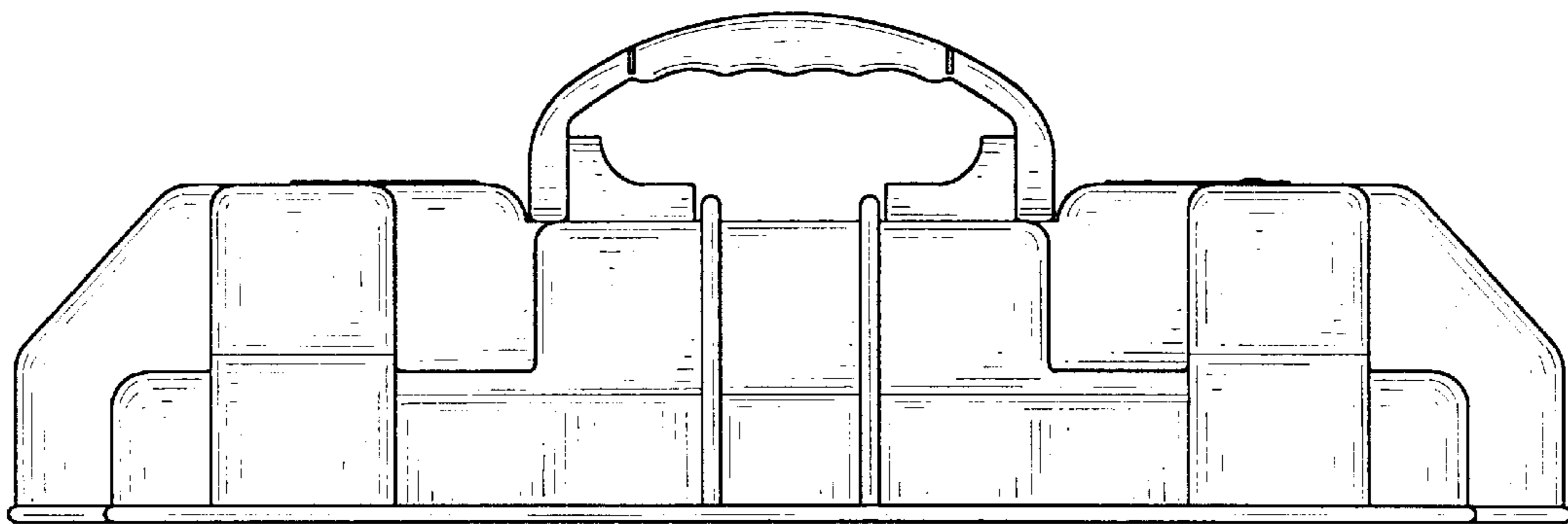


FIG. 3

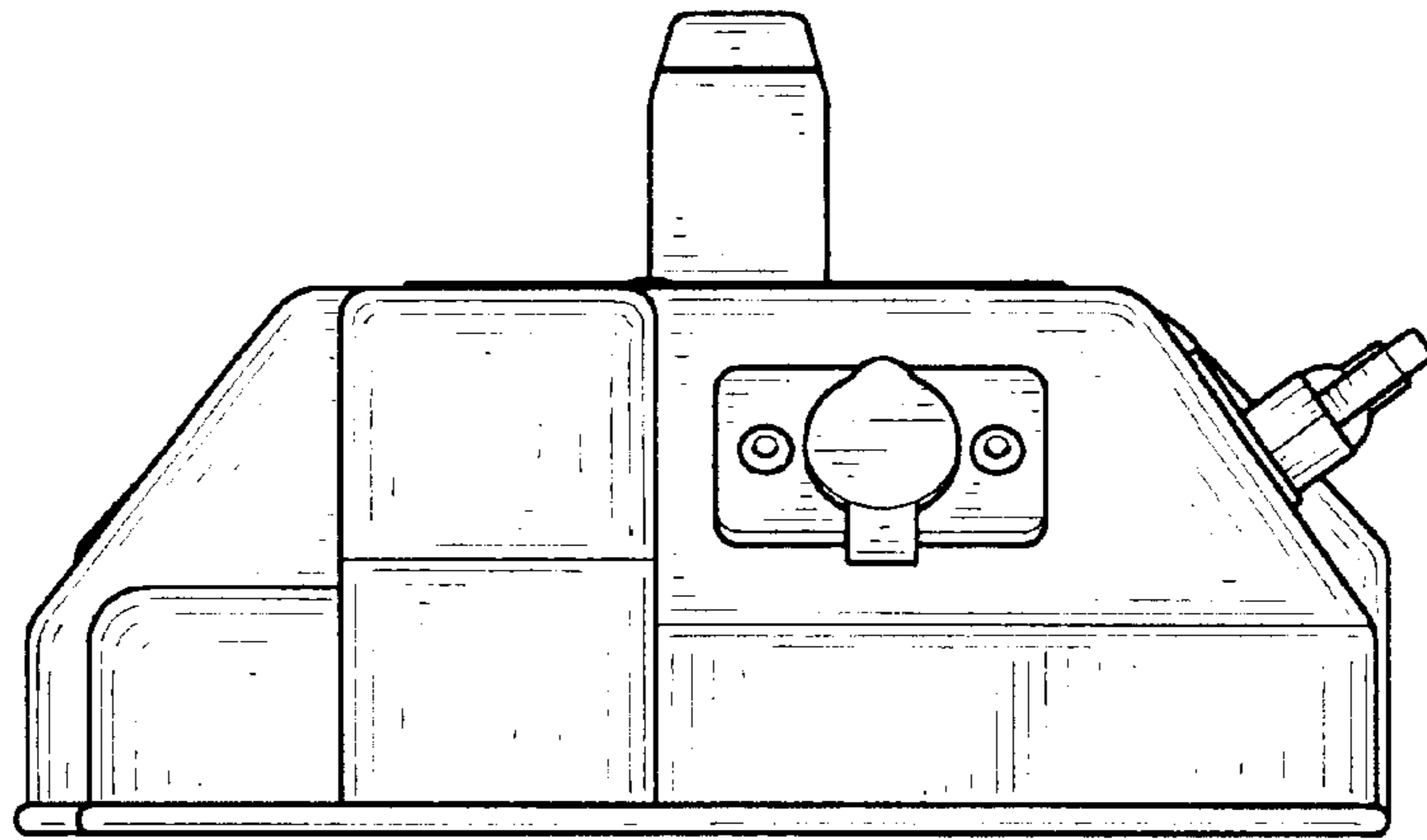


FIG. 4

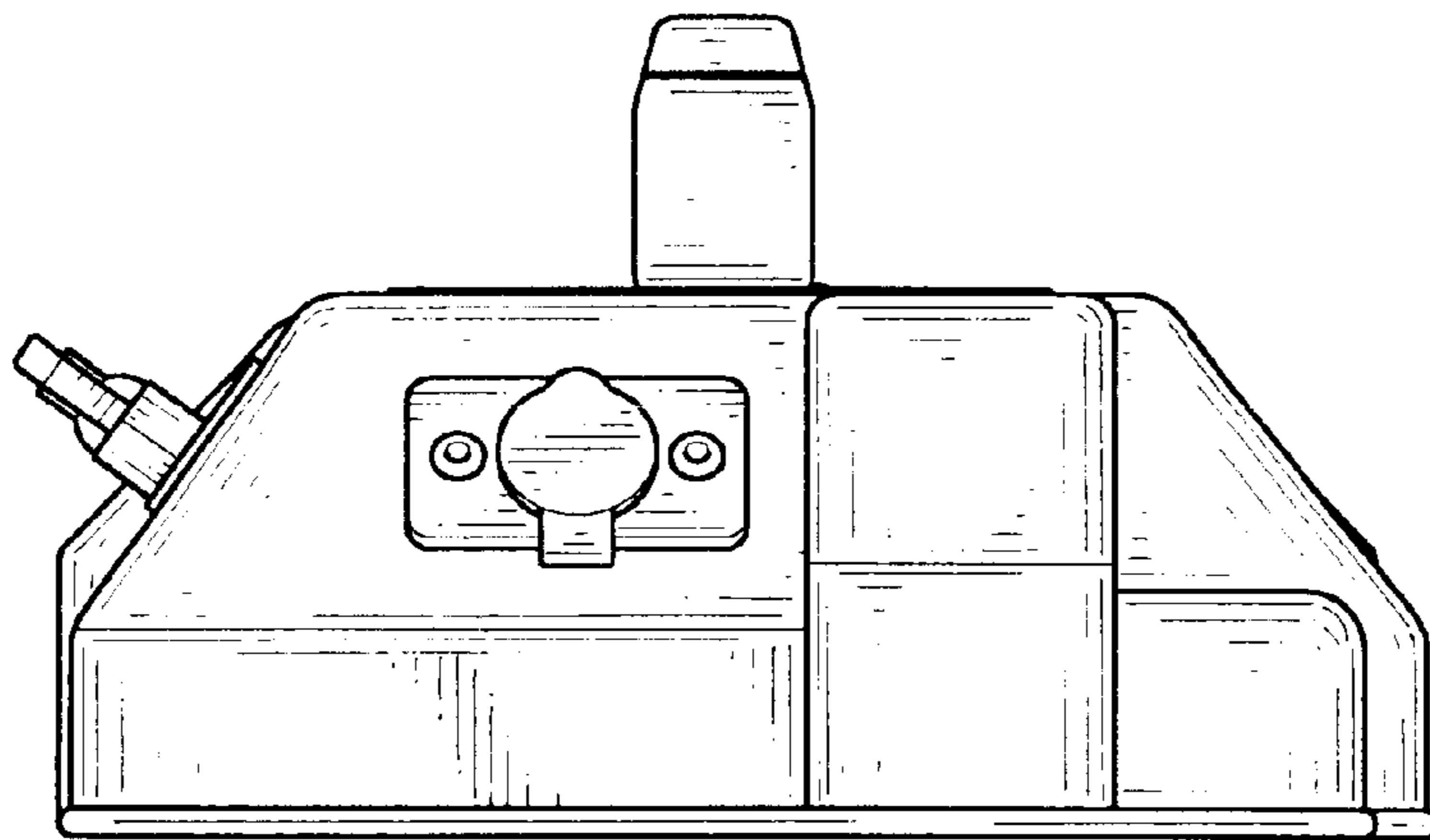


FIG. 5

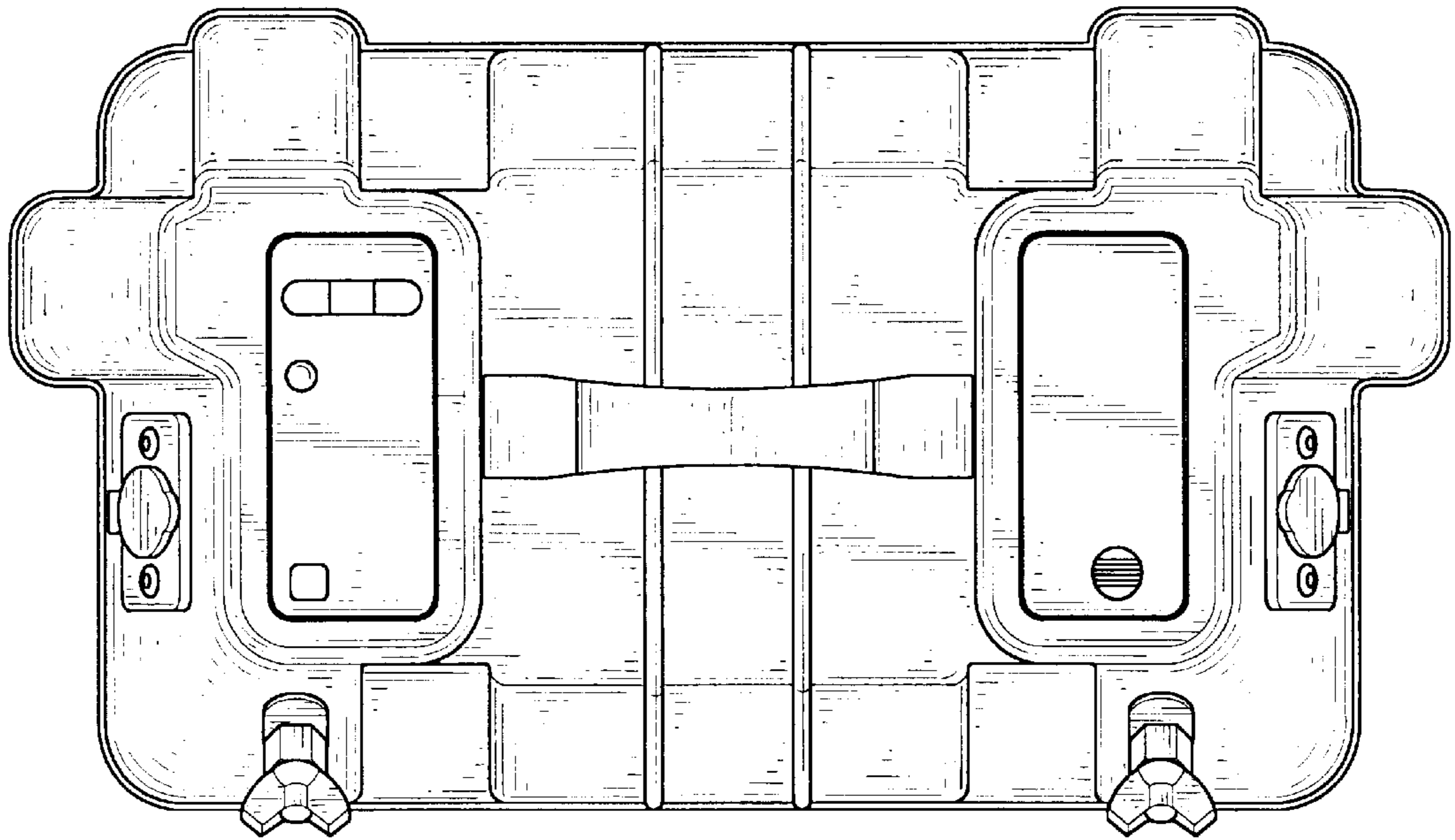


FIG. 6

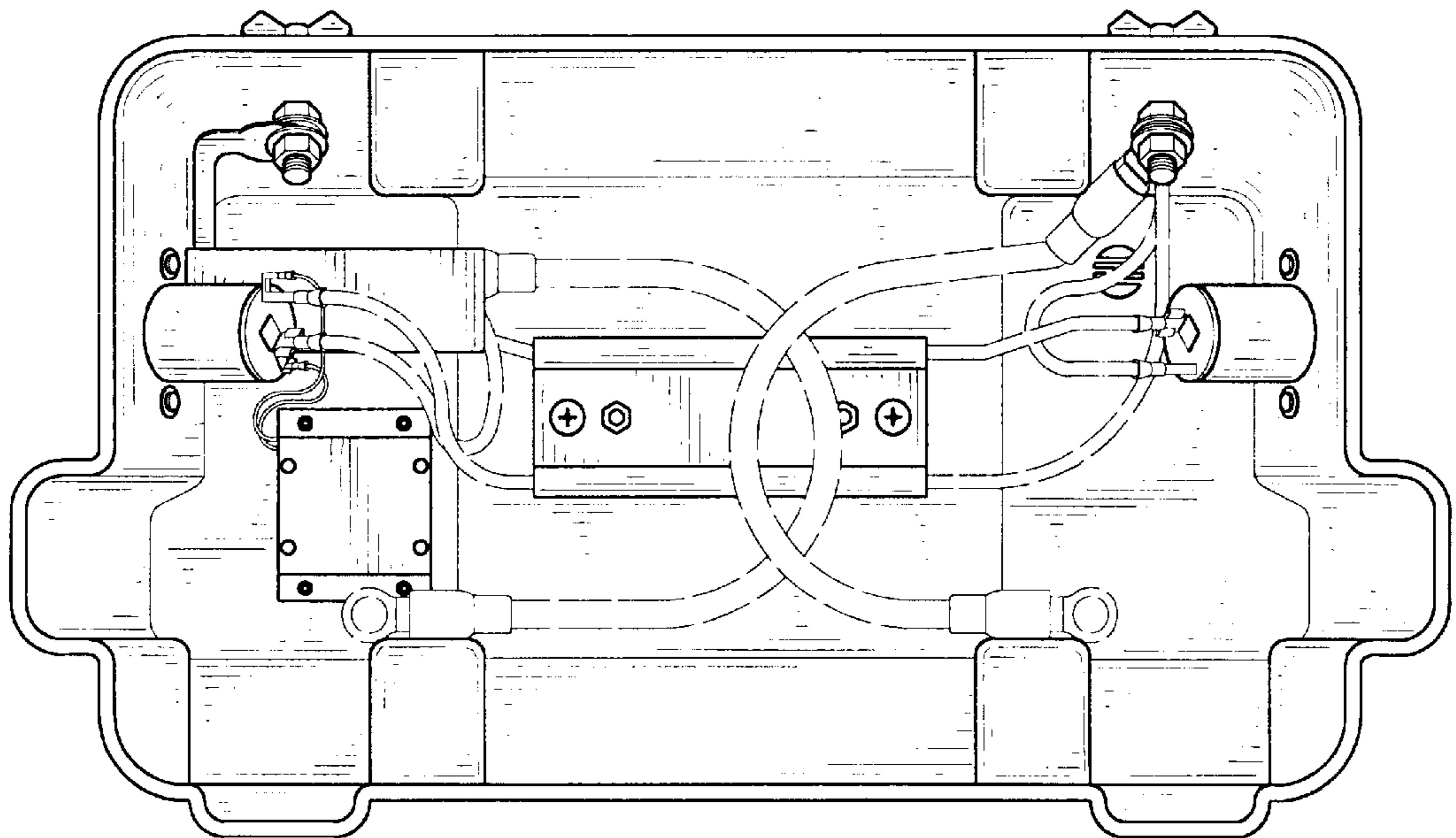


FIG. 7