



US00D468260S

(12) **United States Design Patent**
Lee

(10) **Patent No.:** **US D468,260 S**
(45) **Date of Patent:** **** Jan. 7, 2003**

(54) **BATTERY COVER FOR HANDHELD ELECTRONIC GAME**

(75) Inventor: **Man-Tat Lee, Kowloon (HK)**

(73) Assignee: **Storm Electronics Company Limited, Kowloon (HK)**

(**) Term: **14 Years**

(21) Appl. No.: **29/153,297**

(22) Filed: **Oct. 26, 2001**

(30) **Foreign Application Priority Data**

May 3, 2001 (HK) 0110651

(51) **LOC (7) Cl.** **13-02**

(52) **U.S. Cl.** **D13/119; D21/333**

(58) **Field of Search** **D13/119; D23/333; 429/96, 97, 99**

(56) **References Cited**

U.S. PATENT DOCUMENTS

D423,448 S * 4/2000 Yu D13/103

D424,512 S * 5/2000 Ho D13/103
D427,143 S * 6/2000 Kulberg D13/103
D430,106 S * 8/2000 Lee D13/103
D439,879 S * 4/2001 Rotundo D13/103
D459,300 S * 6/2002 Kawanobe et al. D13/118

* cited by examiner

Primary Examiner—Joel Sincavage

(74) *Attorney, Agent, or Firm*—Alix, Yale & Ristas, LLP

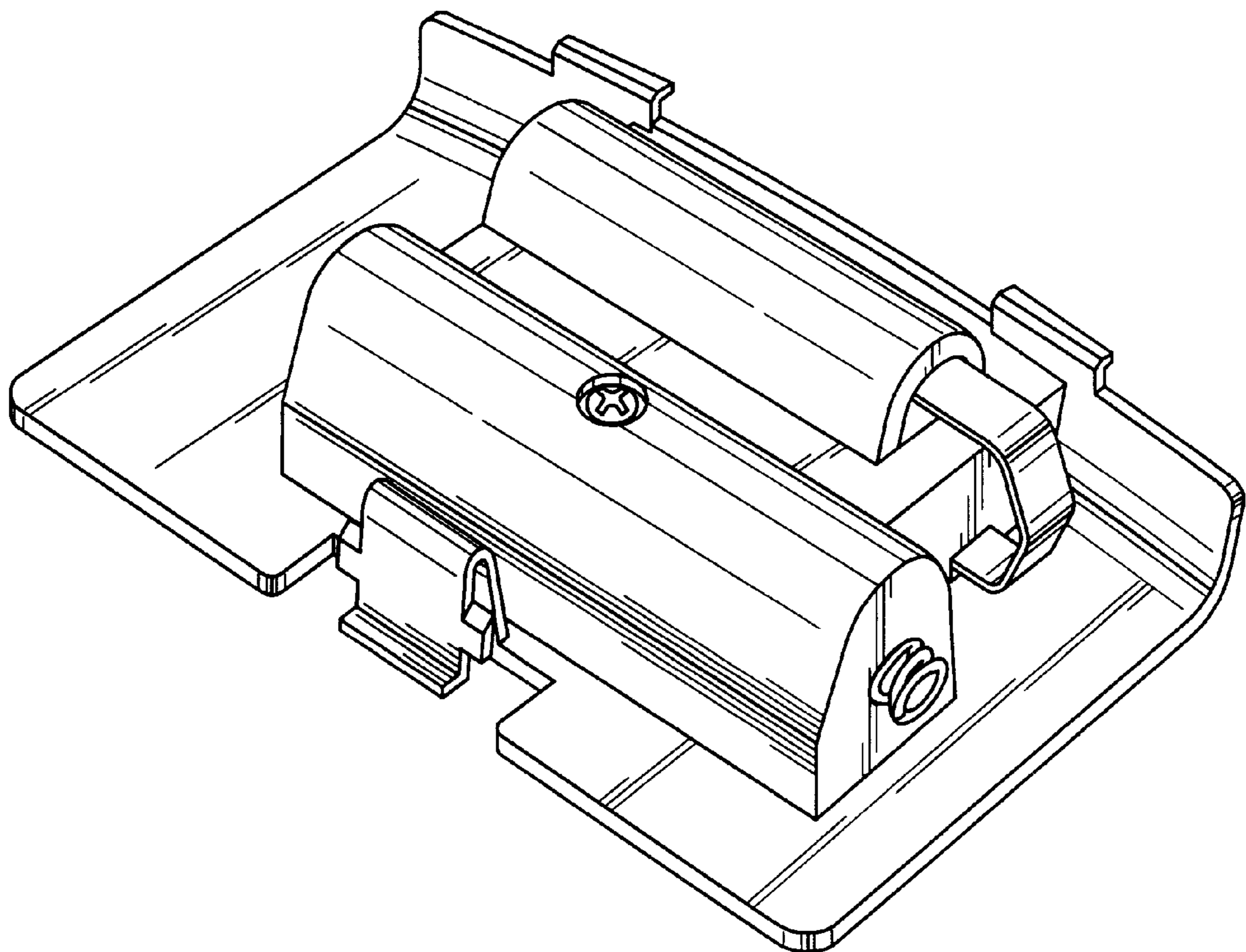
(57) **CLAIM**

The ornamental design for a battery cover for handheld electronic game, as shown and described.

DESCRIPTION

FIG. 1 is a perspective view of a battery cover for handheld electronic game showing my new design; FIG. 2 is a top plan view thereof; FIG. 3 is a right side elevational view thereof; FIG. 4 is a rear elevational view thereof; FIG. 5 is a bottom plan view thereof; and, FIG. 6 is a left side elevational view thereof; and, FIG. 7 is a front elevational view thereof.

1 Claim, 3 Drawing Sheets



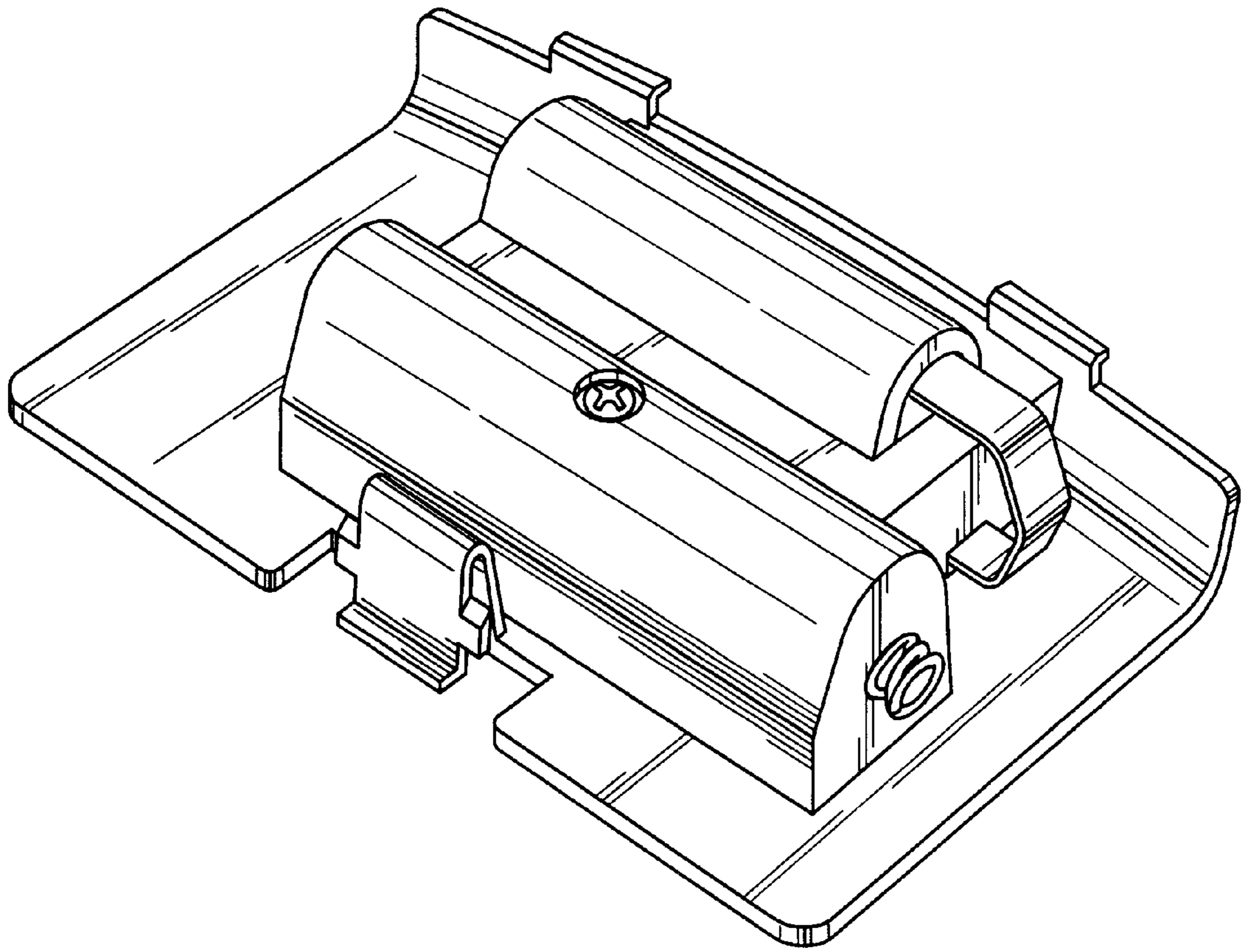


FIG. 1

FIG. 4

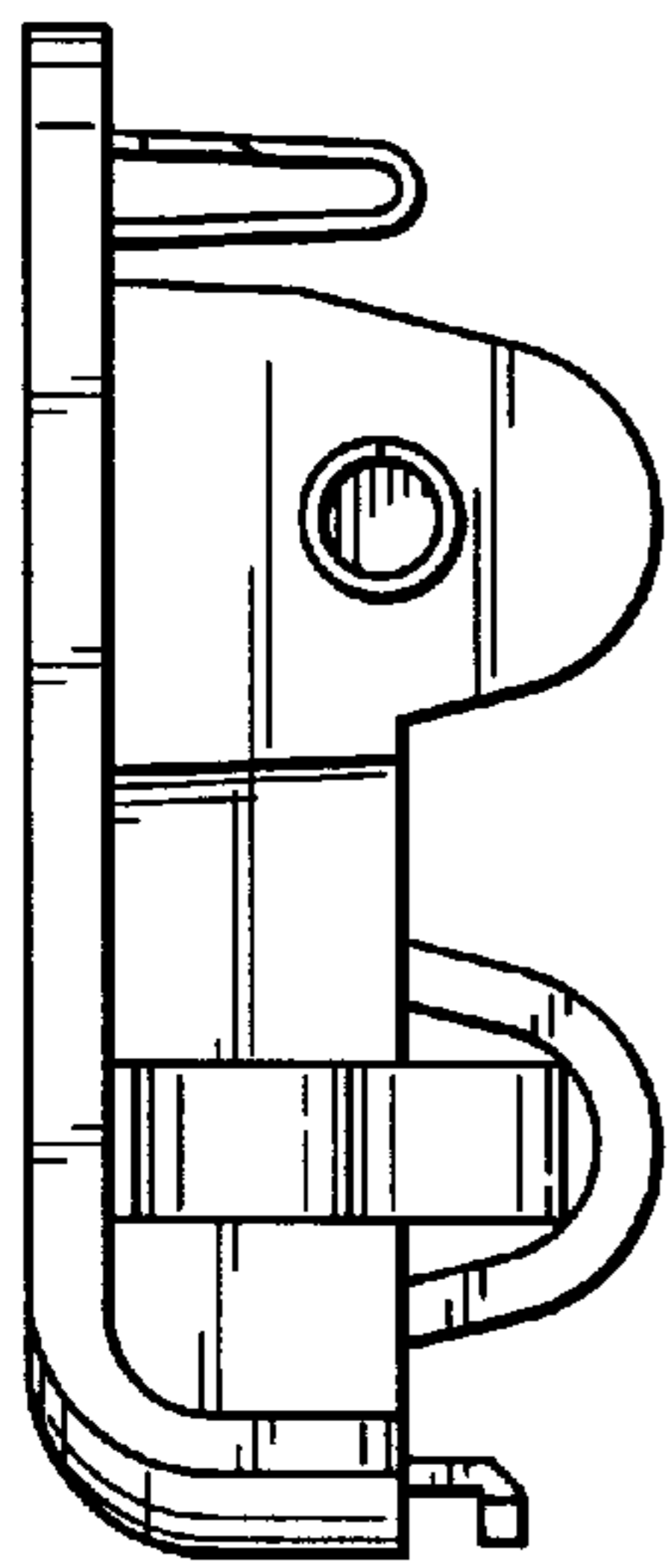
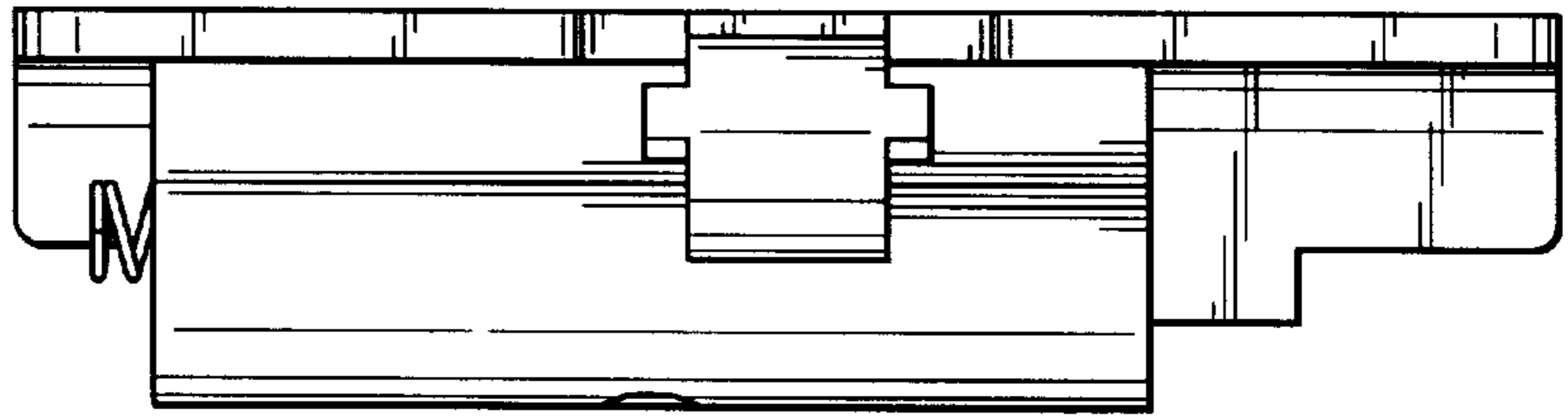


FIG. 3

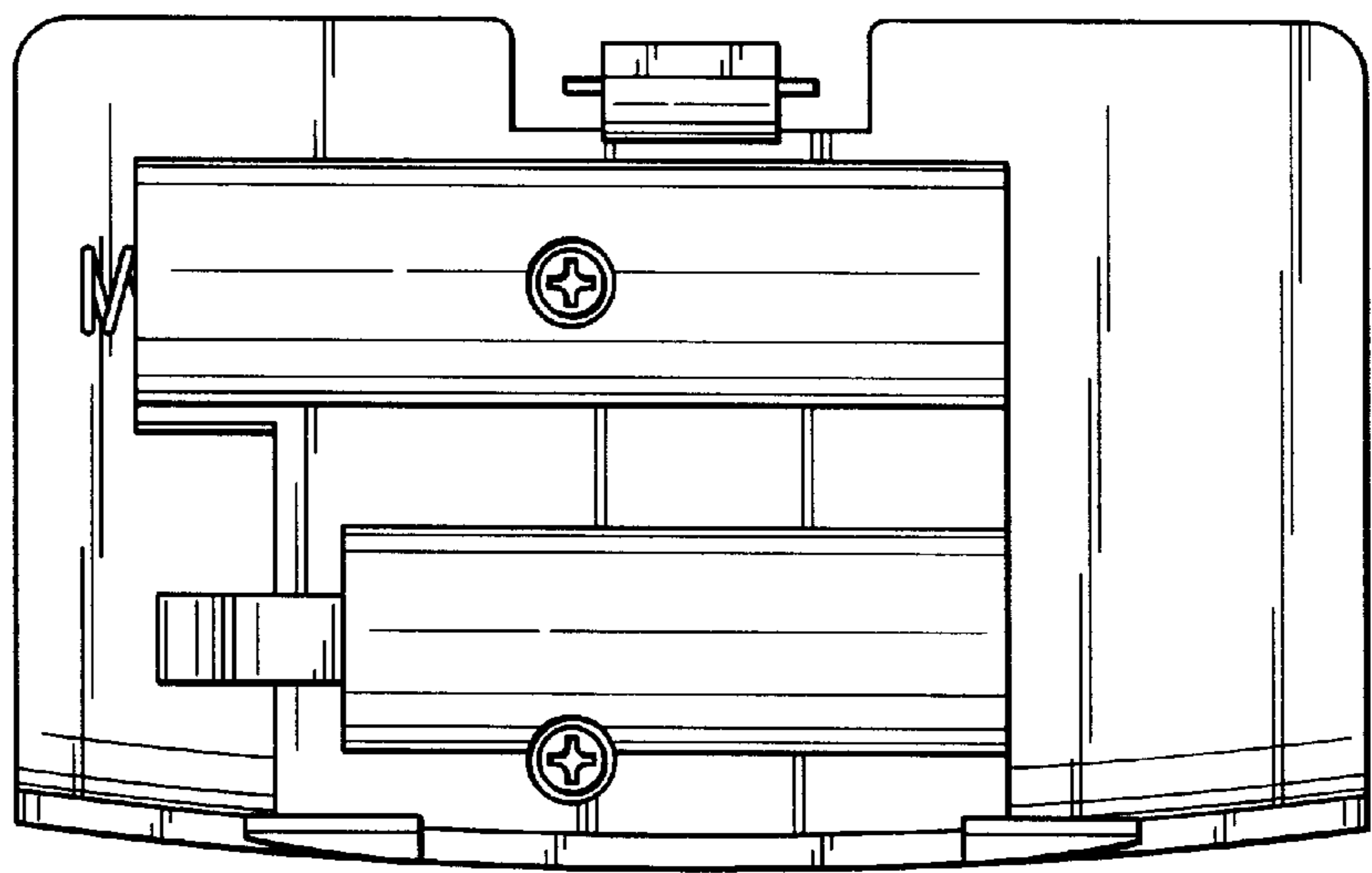


FIG. 2

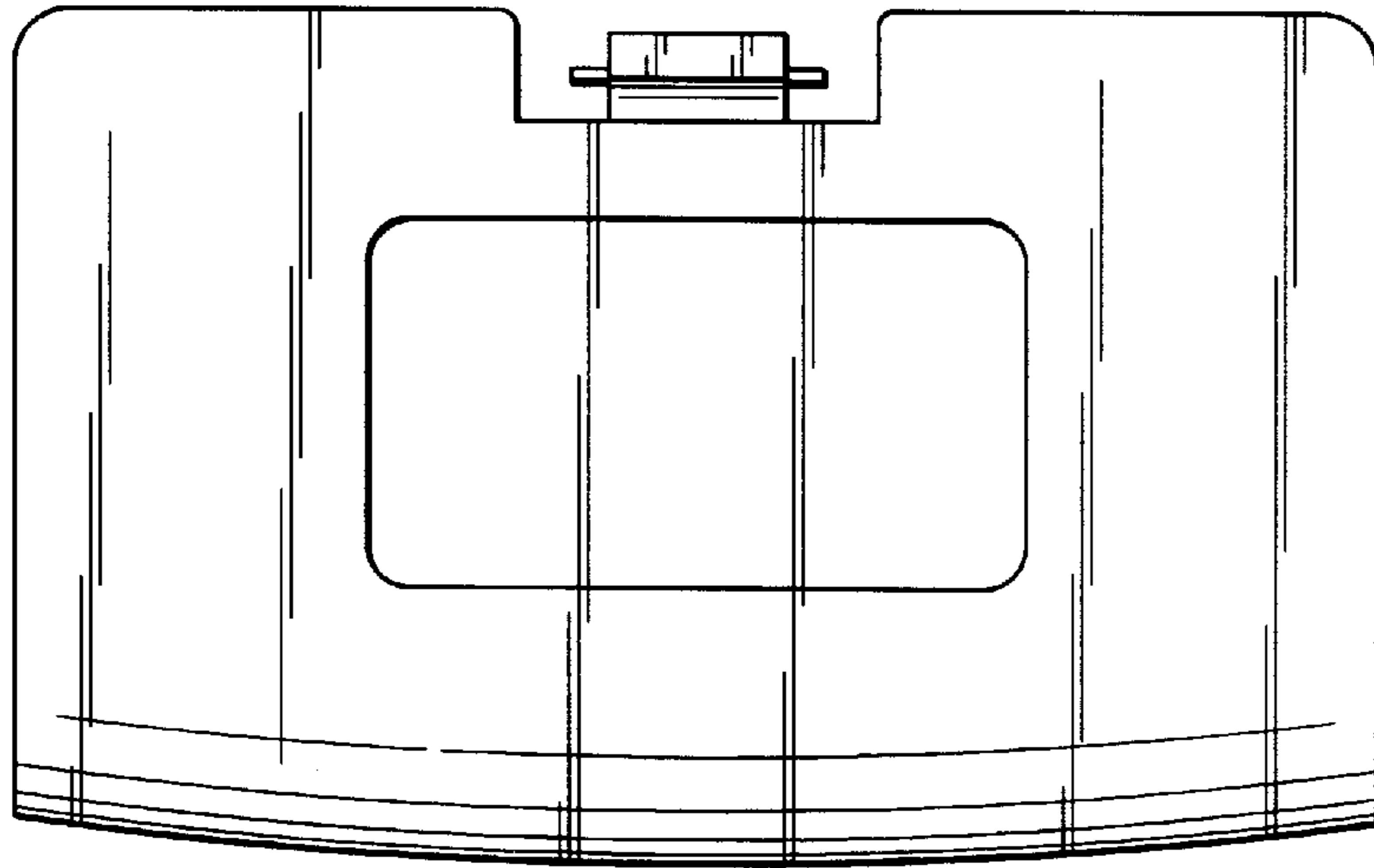


FIG. 5

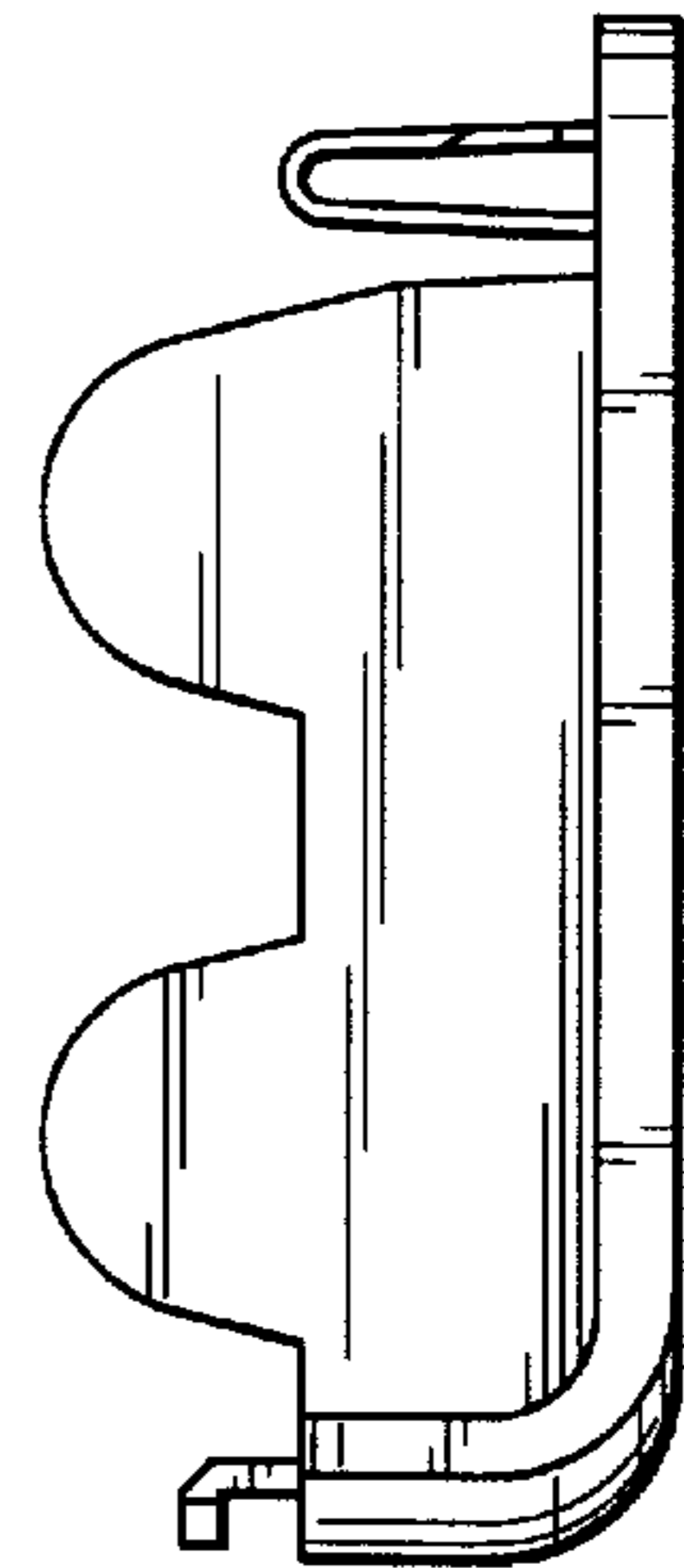


FIG. 6

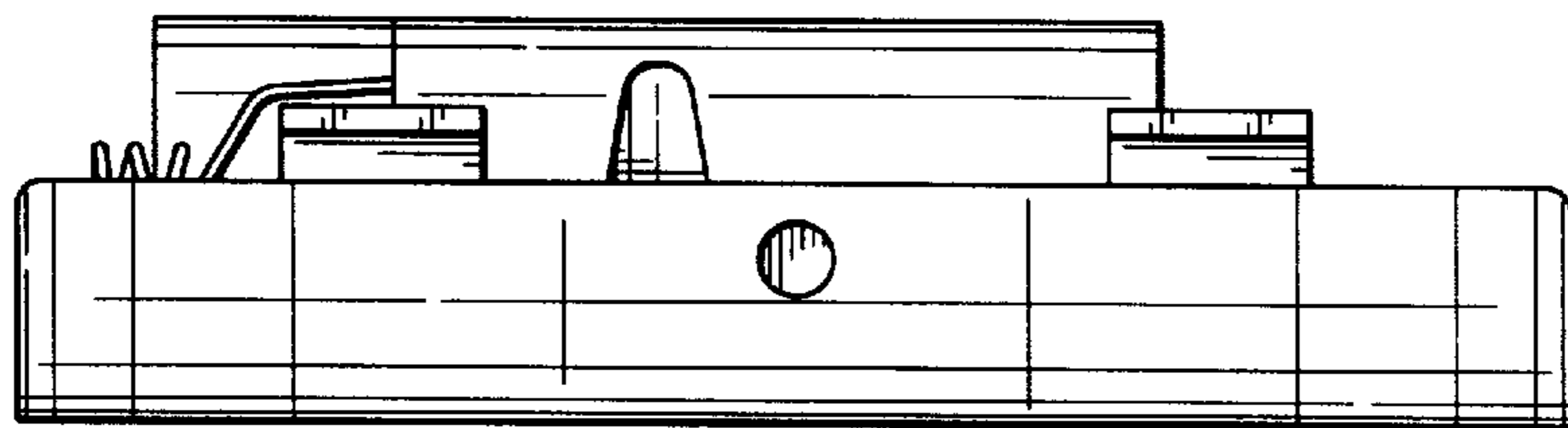


FIG. 7