



US00D468258S

(12) **United States Design Patent**
Guo et al.

(10) **Patent No.:** **US D468,258 S**

(45) **Date of Patent:** **** Jan. 7, 2003**

(54) **NOTEBOOK BATTERY CHARGER**

(75) Inventors: **Yang-Chu Guo**, Kunsan (CN);
Ren-Hua Ji, Kunsan (CN)

(73) Assignee: **Hon Hai Precision Ind. Co., Ltd.**,
Taipei Hsien (TW)

(**) Term: **14 Years**

(21) Appl. No.: **29/158,916**

(22) Filed: **Apr. 11, 2002**

(30) **Foreign Application Priority Data**

Feb. 1, 2002 (TW) 091300419

(51) **LOC (7) Cl.** **13-02**

(52) **U.S. Cl.** **D13/107**

(58) **Field of Search** D13/107, 108,
D13/110; D14/434; 320/110-115; 361/681,
683, 686

(56) **References Cited**

U.S. PATENT DOCUMENTS

- 5,290,178 A * 3/1994 Ma 361/686 X
- 5,604,663 A * 2/1997 Shin et al. 361/686
- 5,627,450 A * 5/1997 Ryan et al. D13/108 X

- D396,454 S * 7/1998 Shima et al. D14/434
- D412,702 S * 8/1999 Goto D14/434
- D413,108 S * 8/1999 Suzuki D14/107
- 6,046,571 A * 4/2000 Bovio et al. 320/113
- 6,185,095 B1 * 2/2001 Helot et al. 361/686
- D443,247 S * 6/2001 Chuan et al. D13/107
- 6,301,106 B1 * 10/2001 Helot et al. 361/686
- 6,331,934 B1 * 12/2001 Helot et al. 361/686

* cited by examiner

Primary Examiner—Joel Sincavage

(74) *Attorney, Agent, or Firm*—Wei Te Chung

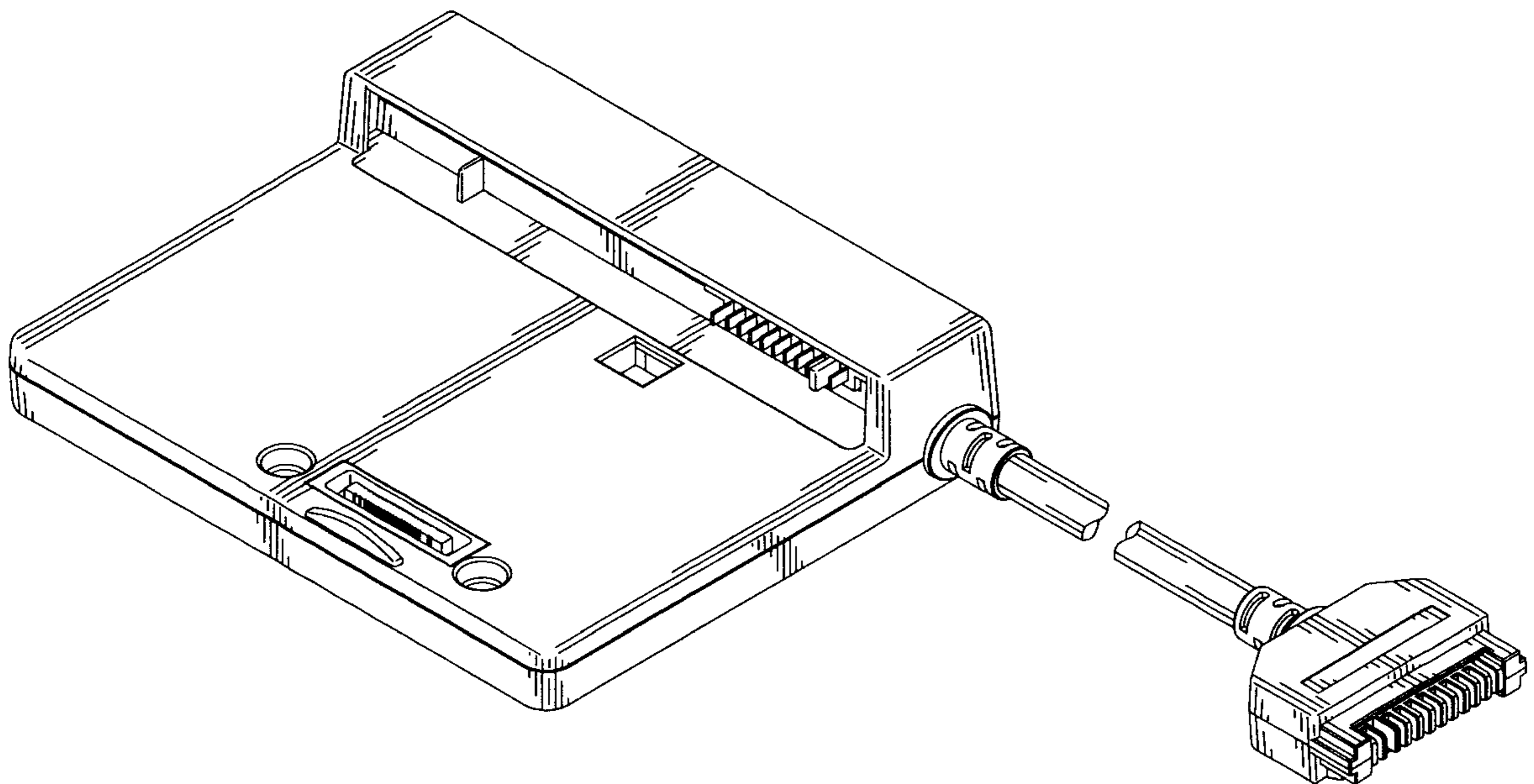
(57) **CLAIM**

The ornamental design for a notebook battery charger, as shown.

DESCRIPTION

FIG. 1 is a front, top and right side perspective view of a notebook battery charger showing our new design;
 FIG. 2 is a front elevational view thereof;
 FIG. 3 is a rear elevational view thereof;
 FIG. 4 is a left side elevational view thereof;
 FIG. 5 is a right side elevational view thereof;
 FIG. 6 is a top plan view thereof; and,
 FIG. 7 is a bottom plan view thereof.

1 Claim, 6 Drawing Sheets



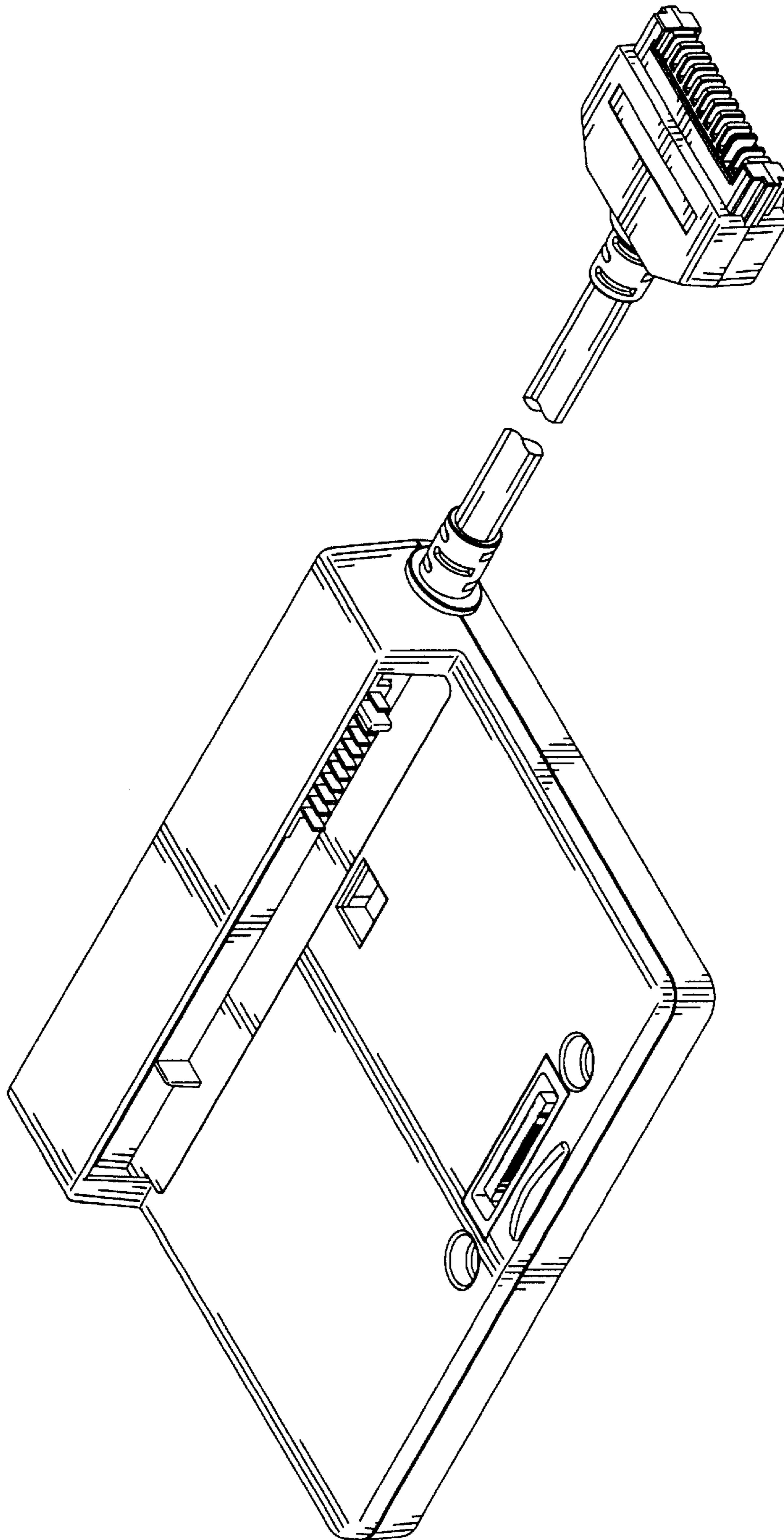


FIG. 1

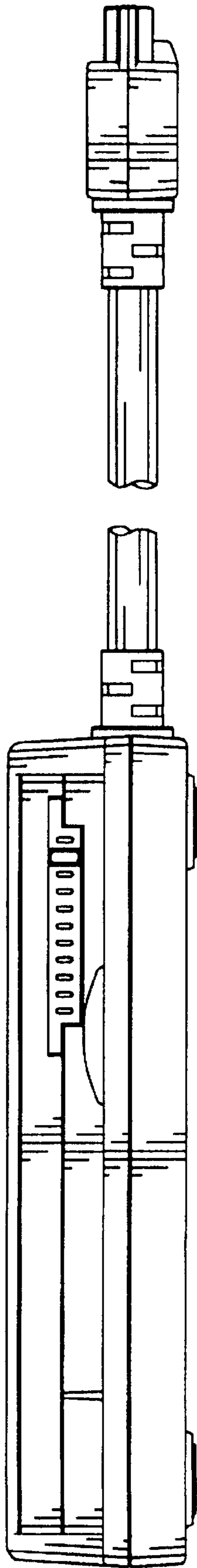


FIG. 2

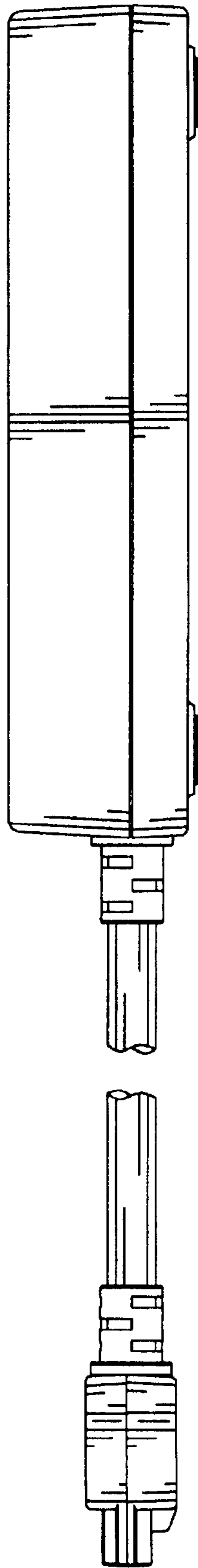


FIG. 3

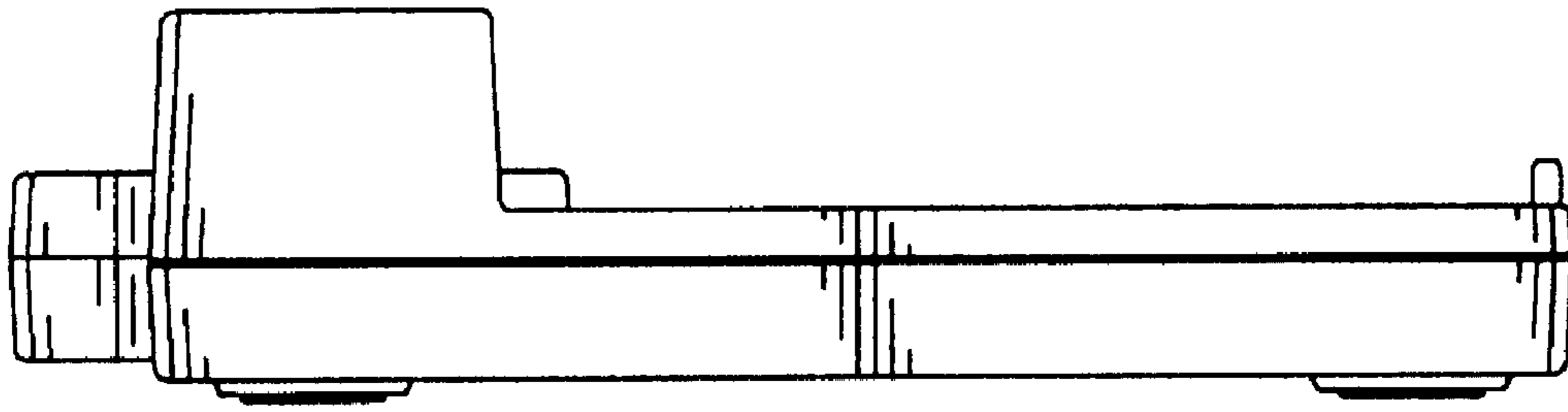


FIG. 4

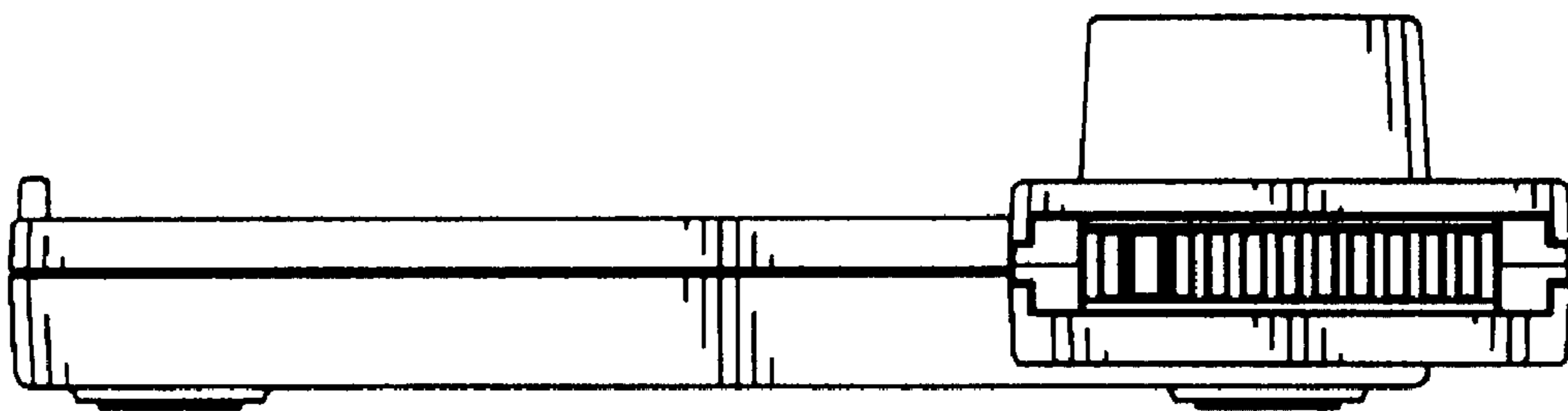


FIG. 5

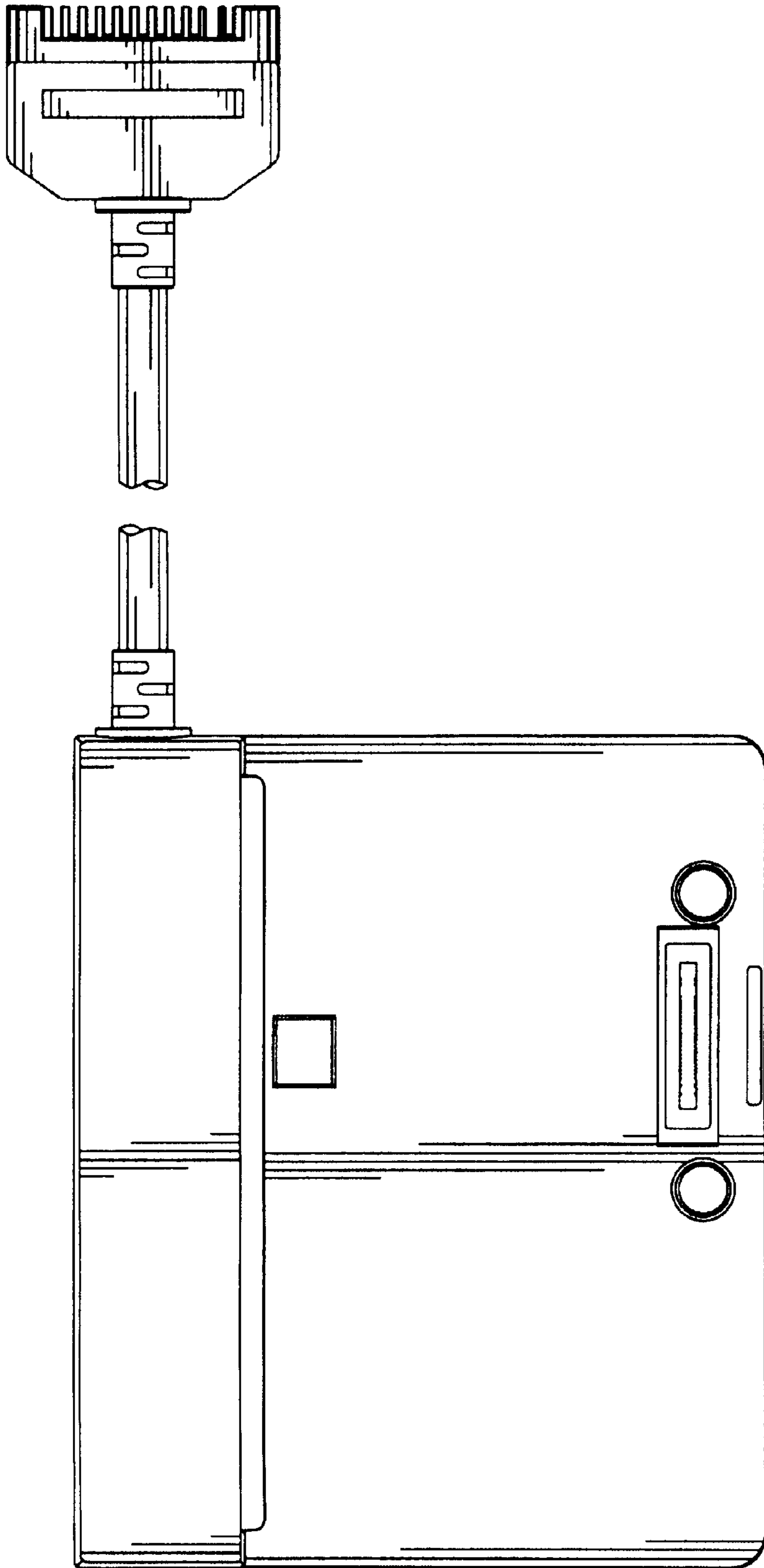


FIG. 6

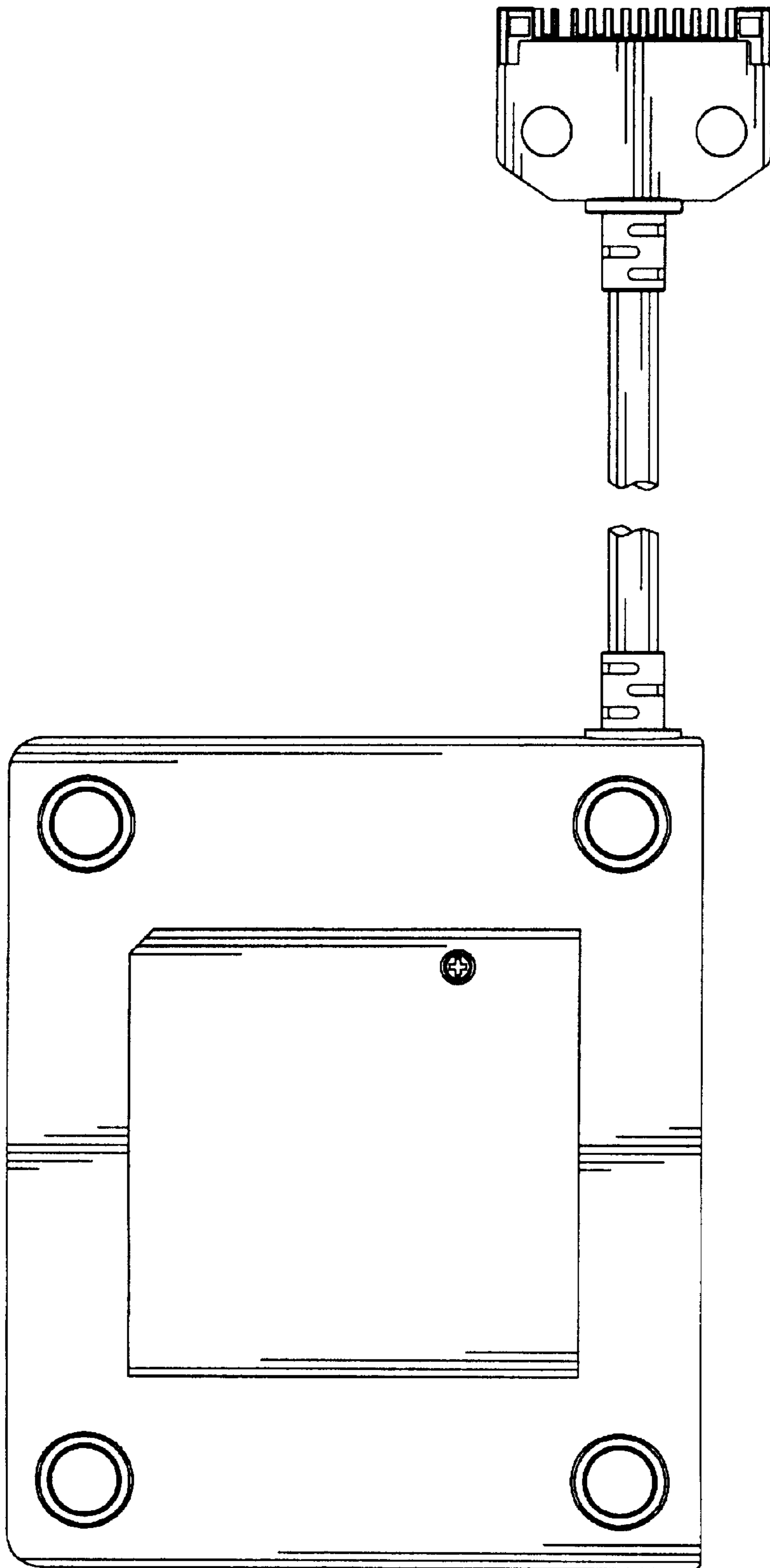


FIG. 7