



US00D468257S

(12) **United States Design Patent**
Roby et al.

(10) **Patent No.:** **US D468,257 S**
(45) **Date of Patent:** **** Jan. 7, 2003**

(54) **BICYCLE COVER**

(76) Inventors: **Anthony Roby**, 9320 Ashley Dr.,
Miramar, FL (US) 33025; **Brenda R. Roby**, 9320 Ashley Dr., Miramar, FL
(US) 33025

(**) Term: **14 Years**

(21) Appl. No.: **29/145,173**

(22) Filed: **Jul. 17, 2001**

(51) **LOC (7) Cl.** **12-16**

(52) **U.S. Cl.** **D12/402**

(58) **Field of Search** D12/114, 126,
D12/402; 150/166, 167; 296/78.1, 136;
52/3-5

(56) **References Cited**

U.S. PATENT DOCUMENTS

4,715,646 A	12/1987	Goffi et al.	296/136
D341,522 S	11/1993	Lamson et al.	D7/665
5,282,502 A	2/1994	Ballard	150/167

OTHER PUBLICATIONS

Custom Chrome 1999 catalog, Custom Chrome ® Nylon
Bike Cover on p. 17.15.*

Drag Specialties 1995 catalog, Nelson Rigg PVC Motor-
cycle Cover illustrated on p. 673.*

* cited by examiner

Primary Examiner—Alan P. Douglas
Assistant Examiner—Linda Brooks
(74) *Attorney, Agent, or Firm*—Robert C. Kain, Jr.; Fleit
Kain

(57) **CLAIM**

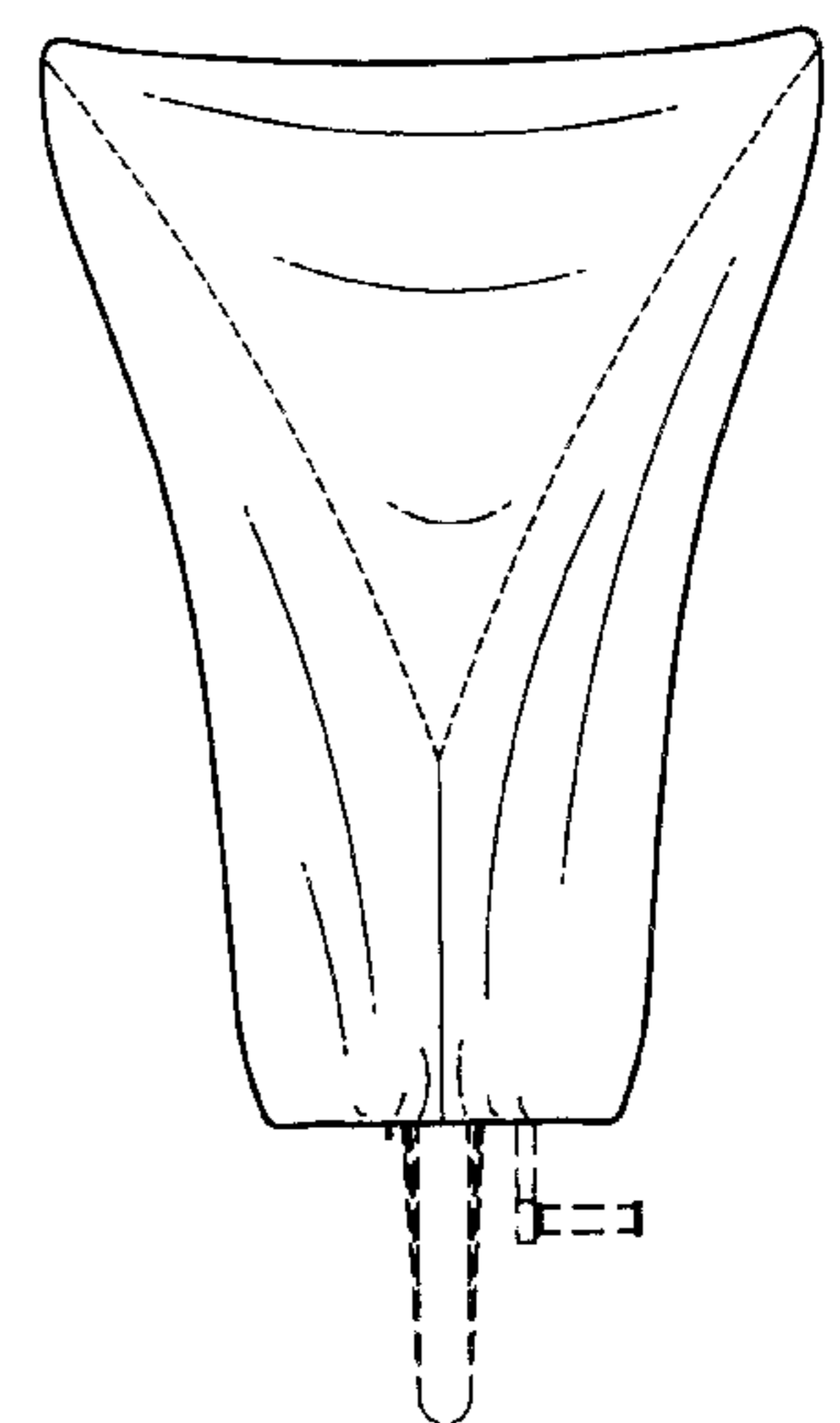
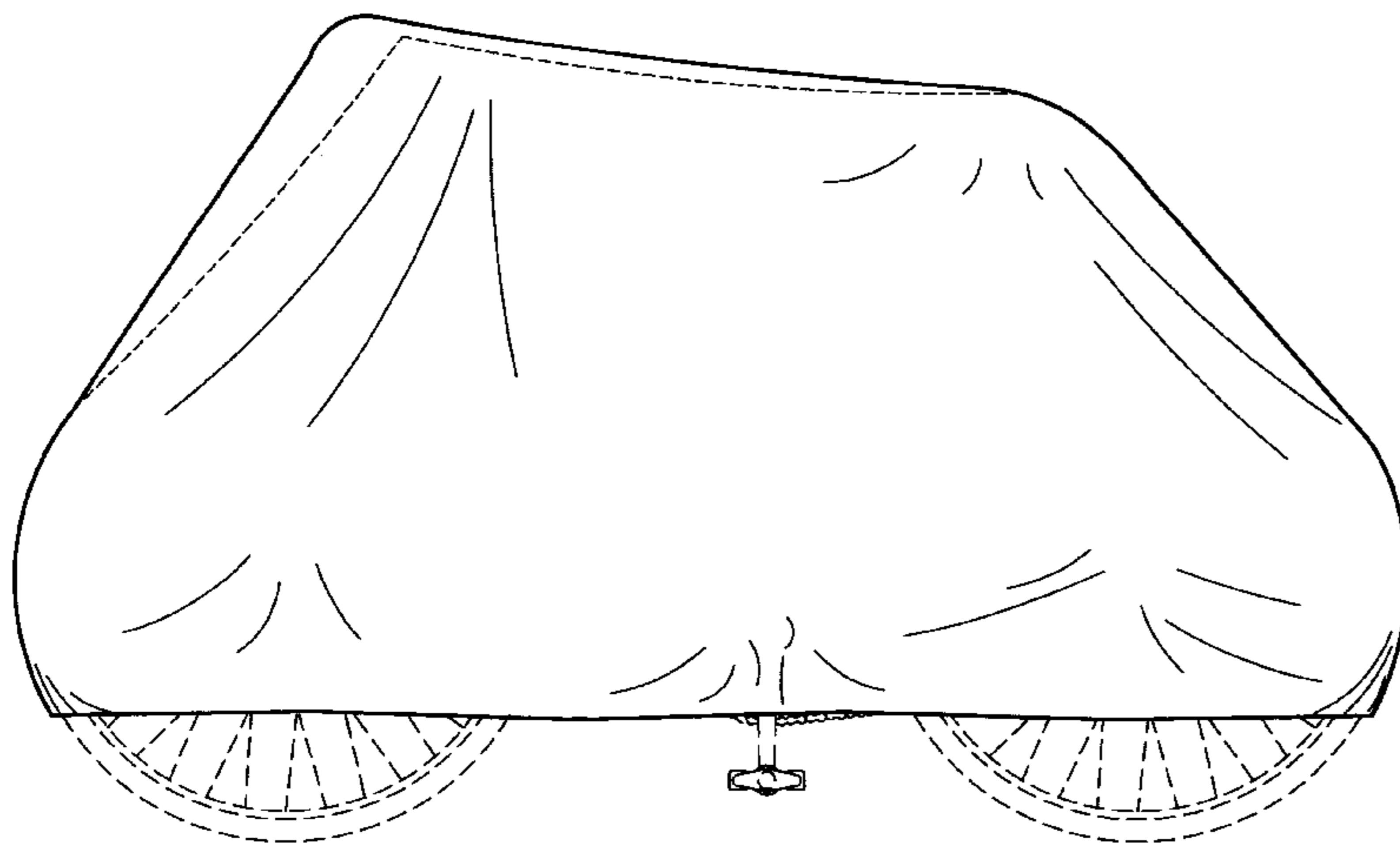
We claim the ornamental design for a bicycle cover, as
shown and described.

DESCRIPTION

FIG. 1 is a right side elevational view of the bicycle cover.
FIG. 2 is left side elevational view of the bicycle cover.
FIG. 3 is a front view of the bicycle cover.
FIG. 4 is a rear view of the bicycle cover.
FIG. 5 is a top view of the bicycle cover; and,
FIG. 6 is a bottom view of the bicycle cover.

In the Figures, the items shown in dashed lines are not part
of the claimed design.

1 Claim, 2 Drawing Sheets



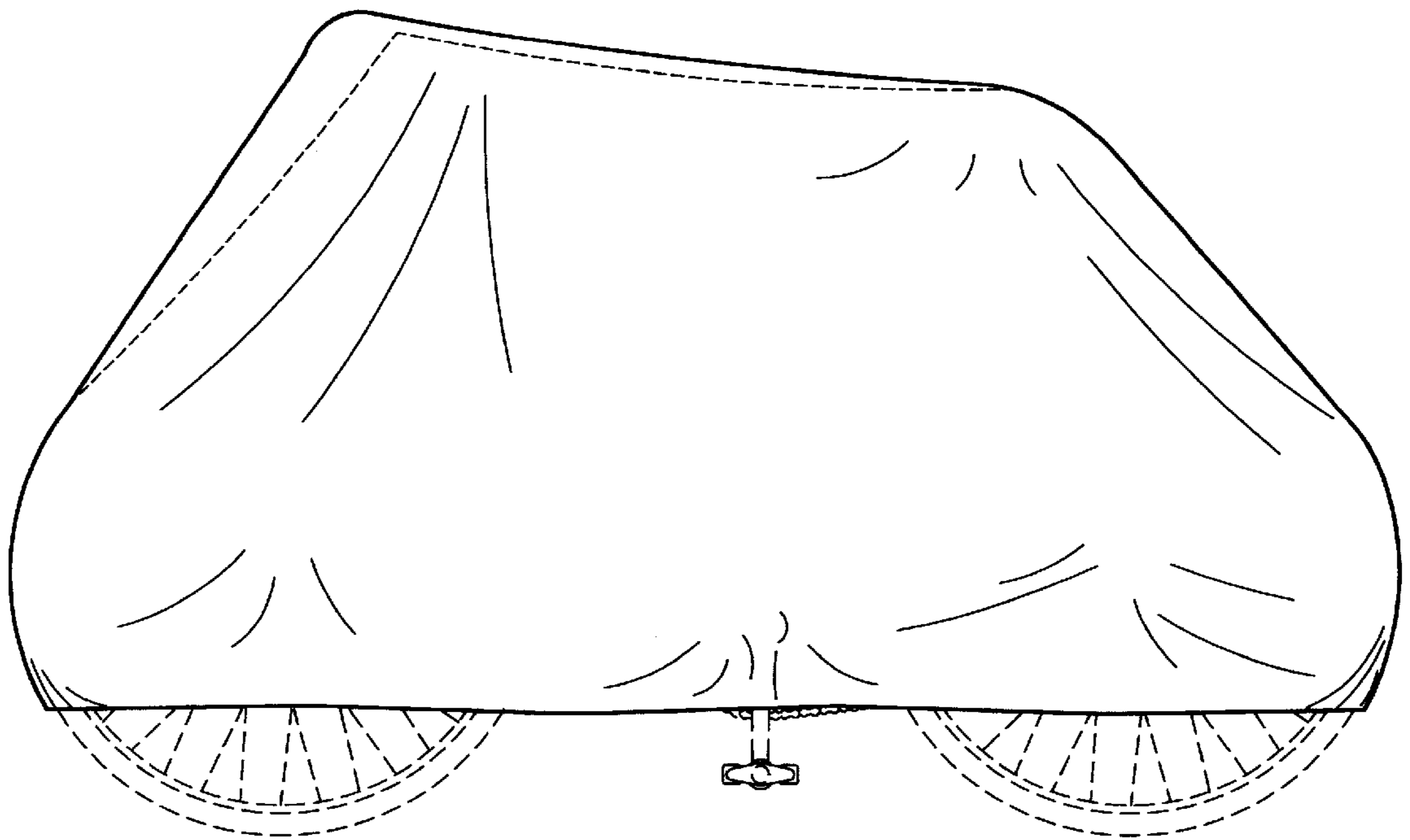


FIG. 1

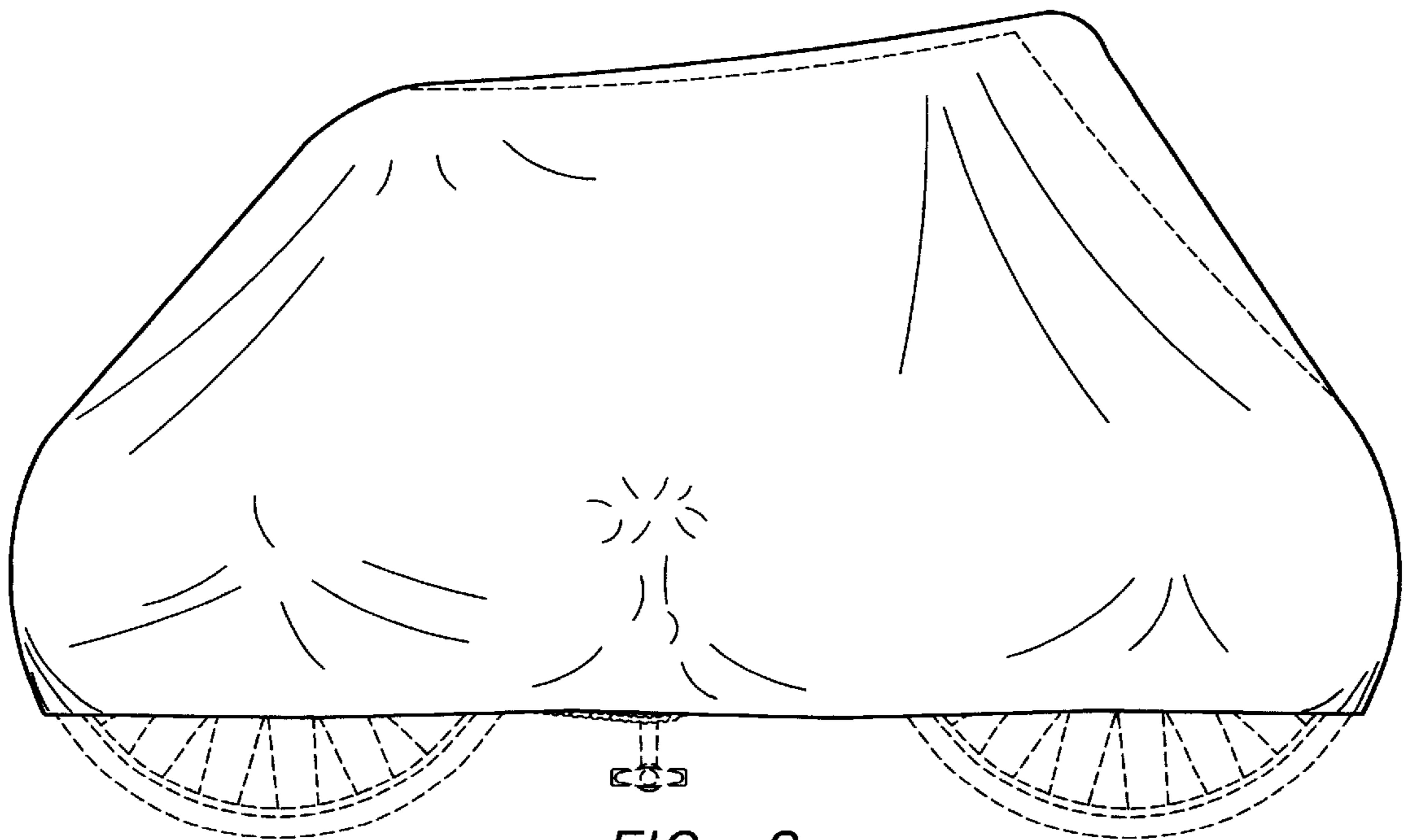


FIG. 2

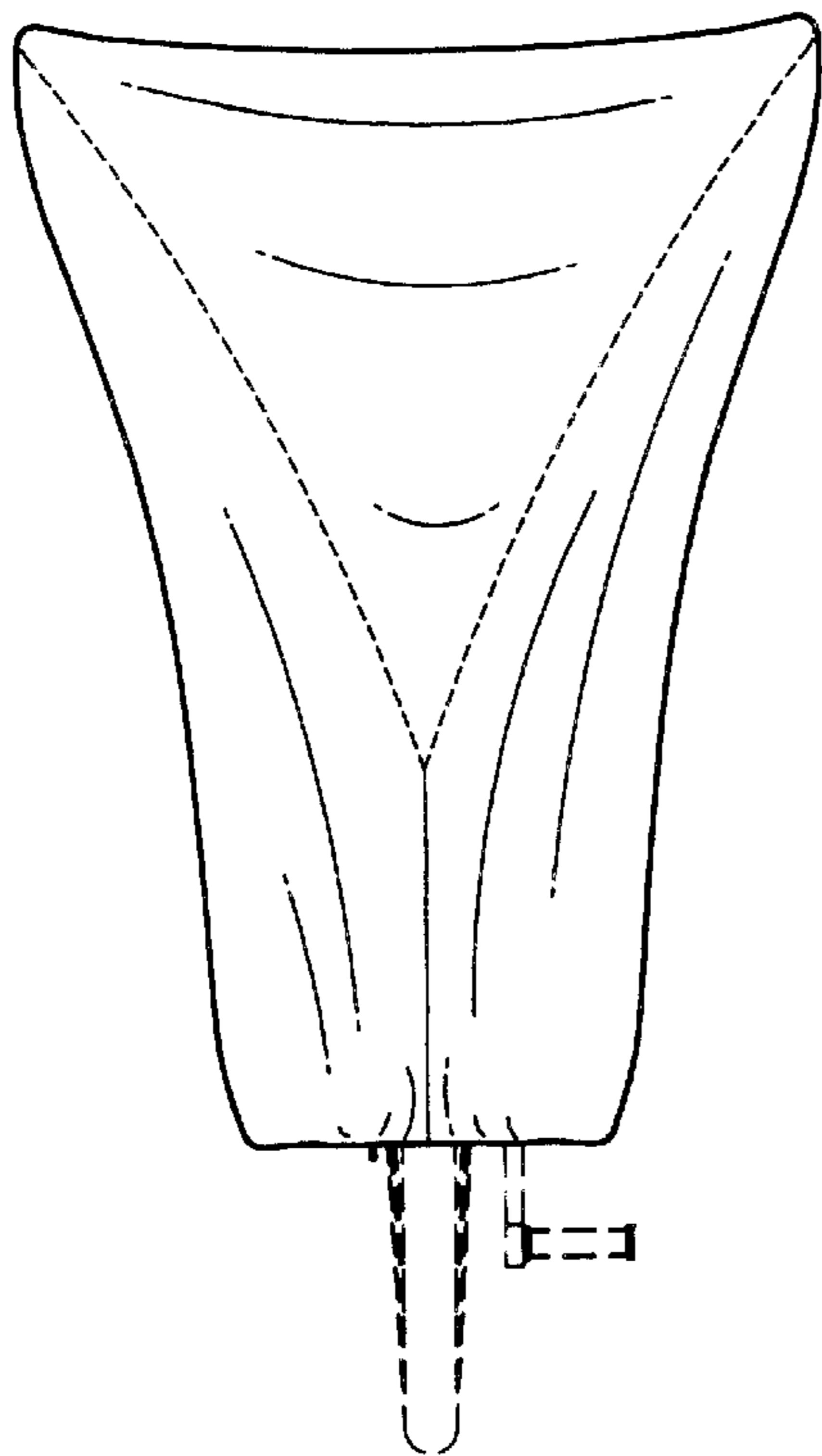


FIG. 3

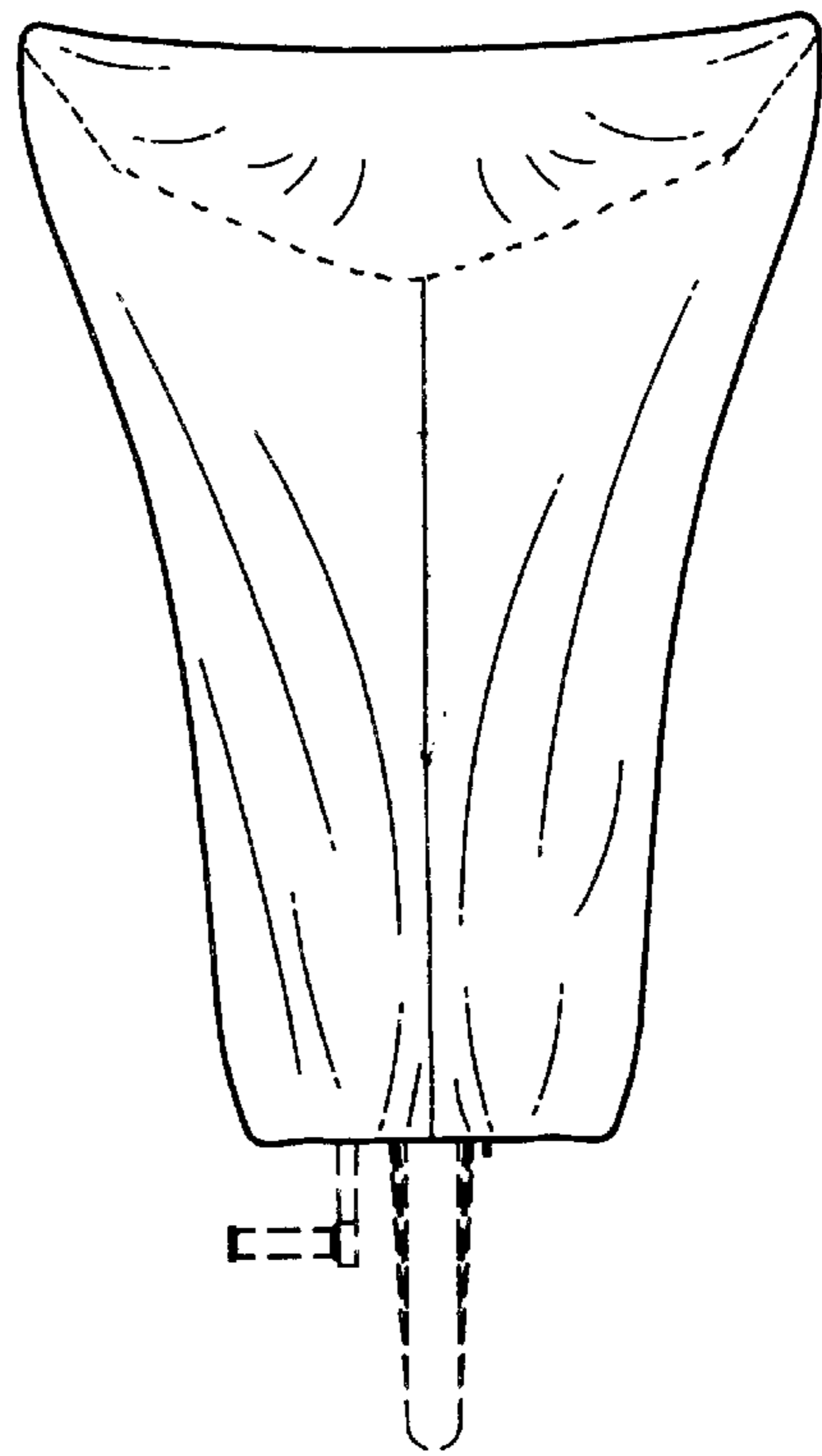


FIG. 4

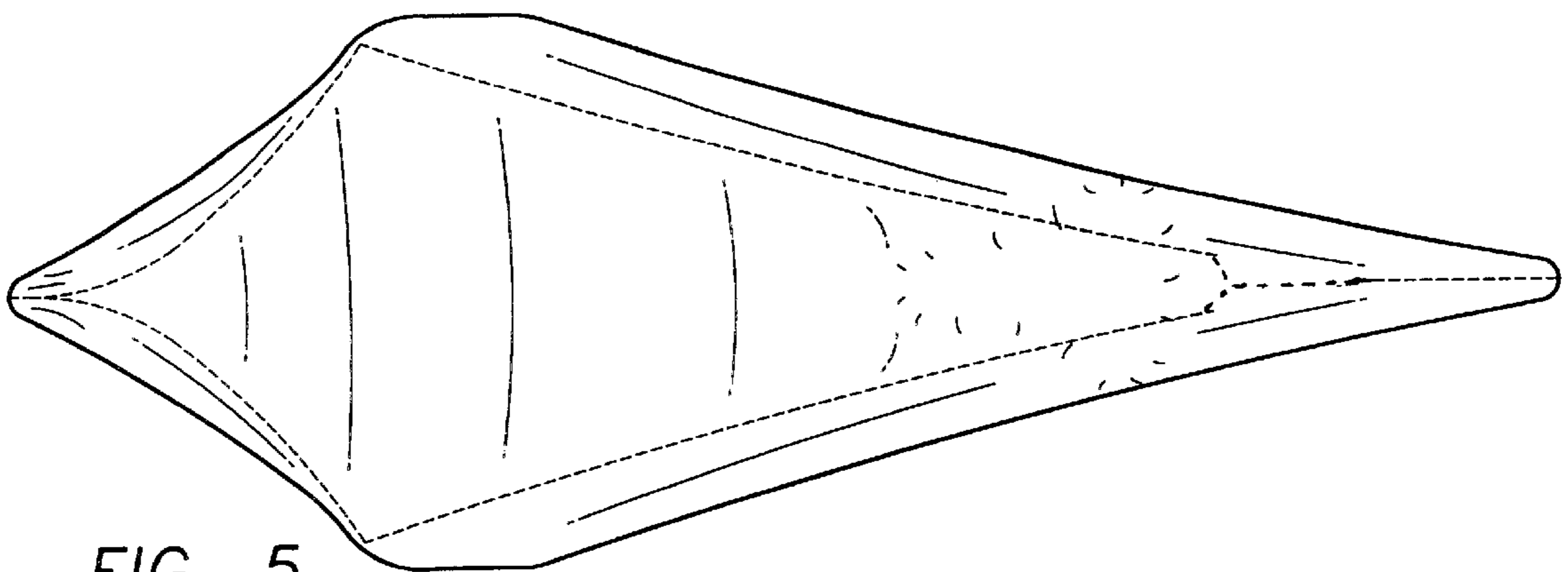


FIG. 5

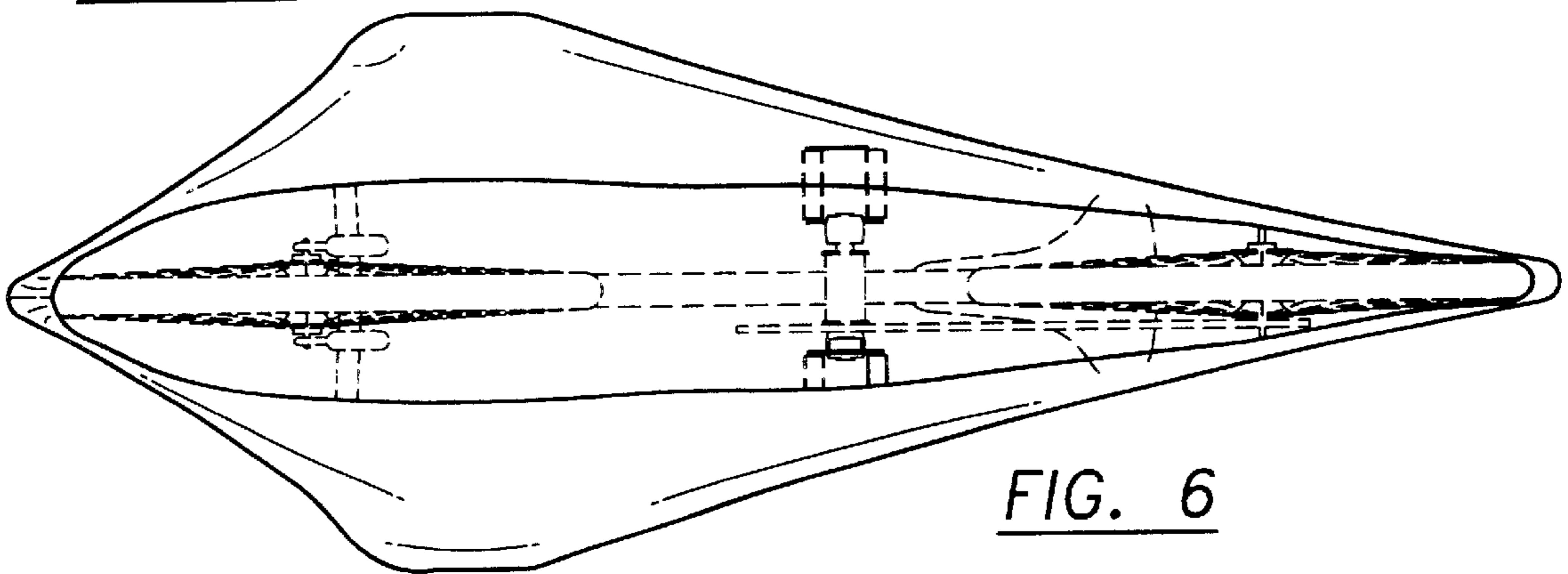


FIG. 6