



US00D468255S

(12) **United States Design Patent**
Gopaldaswami et al.

(10) **Patent No.:** **US D468,255 S**
(45) **Date of Patent:** **** Jan. 7, 2003**

(54) **AEROSPACE VEHICLE**

(76) Inventors: **Raghaven Gopaldaswami**, 53 Vayupuri, Secunderabad, - 500 094 (IN); **Prahlada**, DRDL, Hyderabad, - 500 058 (IN); **Yachareni Gyaneshwar**, DRDL, Hyderabad - 500 058 (IN); **Satyanarayana Gollakota**, DRDL, Hyderabad, - 500 058 (IN); **Puthenmadhom Venugopalan**, DRDL, Hyderabad, - 500 058 (IN); **Subramanian Panneerselvam**, DRDL, Hyderabad, - 500 508 (IN); **Satish Kumar**, DRDL, Hyderabad, - 500 058 (IN); **Pulinbehari Manna**, DRDL, Hyderabad, - 500 058 (IN); **Satyanarayana Yedidi**, 1-11-252/5/5 Kohinoor Apartments, Motilal Nagar, Begumet, Hyderabad, - 500-016 (IN)

(**) Term: **14 Years**

(21) Appl. No.: **29/134,367**

(22) Filed: **Dec. 21, 2000**

(51) **LOC (7) Cl.** **12-12**

(52) **U.S. Cl.** **D12/319**

(58) **Field of Search** D12/319, 333, D12/342, 331, 337; 244/2, 158 R, 172

(56) **References Cited**

U.S. PATENT DOCUMENTS

D364,600 S * 11/1995 Andrews D12/319
D372,218 S * 7/1996 Herzberg et al. D12/319
D394,039 S * 5/1998 Cummings D12/319

* cited by examiner

Primary Examiner—Marcus A. Jackson
(74) *Attorney, Agent, or Firm*—Venable; George H. Spencer; Ashley J. Wells

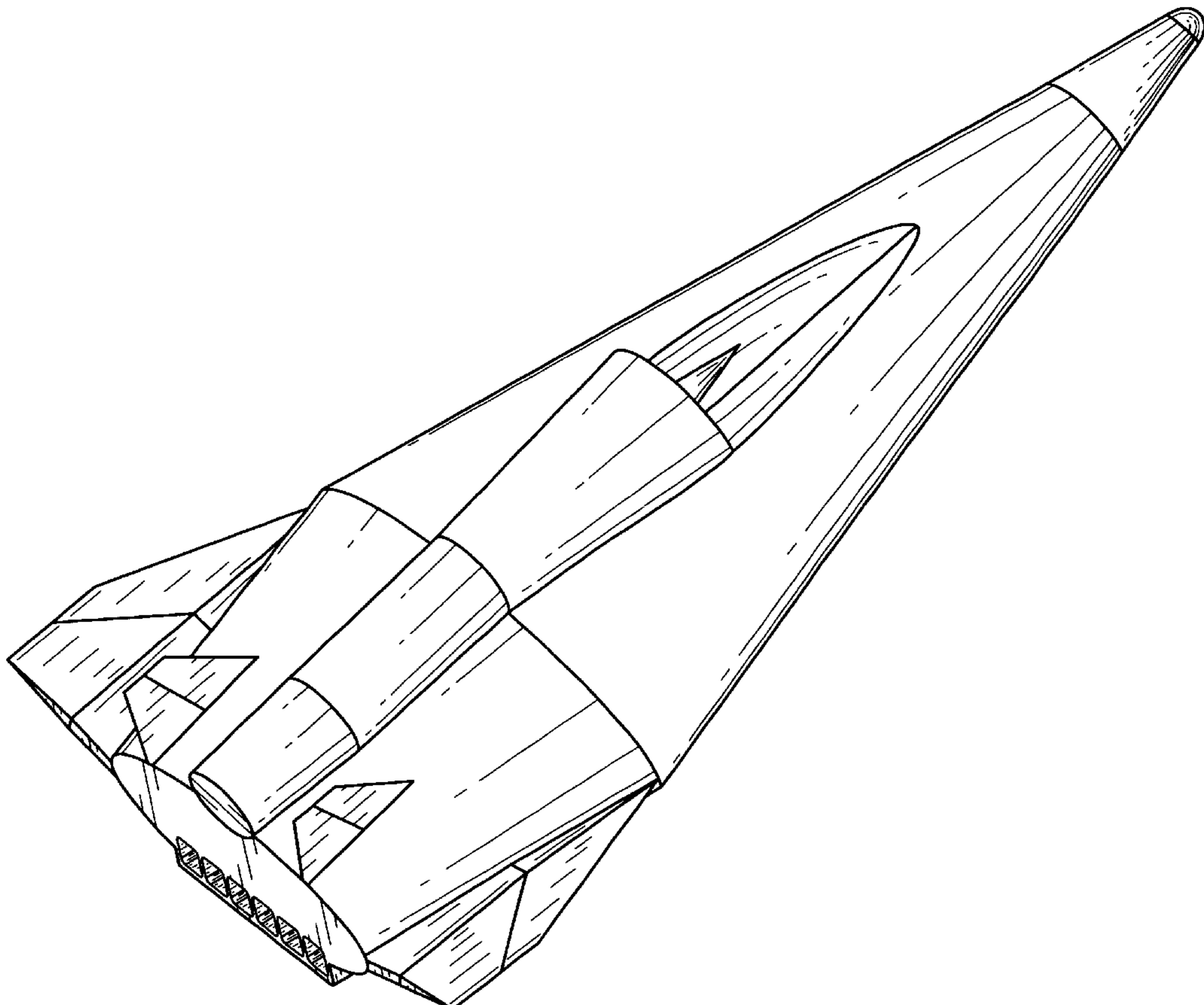
(57) **CLAIM**

The ornamental design for an aerospace vehicle, as shown.

DESCRIPTION

FIG. 1 is an isometric view, from the back, of an aerospace vehicle showing our new design;
FIG. 2 is a top plan view of the aerospace vehicle;
FIG. 3 is a bottom plan view of the aerospace vehicle;
FIG. 4 is a left side elevational view of the aerospace vehicle;
FIG. 5 is a right side elevational view of the aerospace vehicle;
FIG. 6 is a front elevational view of the aerospace vehicle;
FIG. 7 is a rear elevation view of the aerospace vehicle; and,
FIG. 8 is an isometric view, from the front, of the aerospace vehicle.

1 Claim, 8 Drawing Sheets



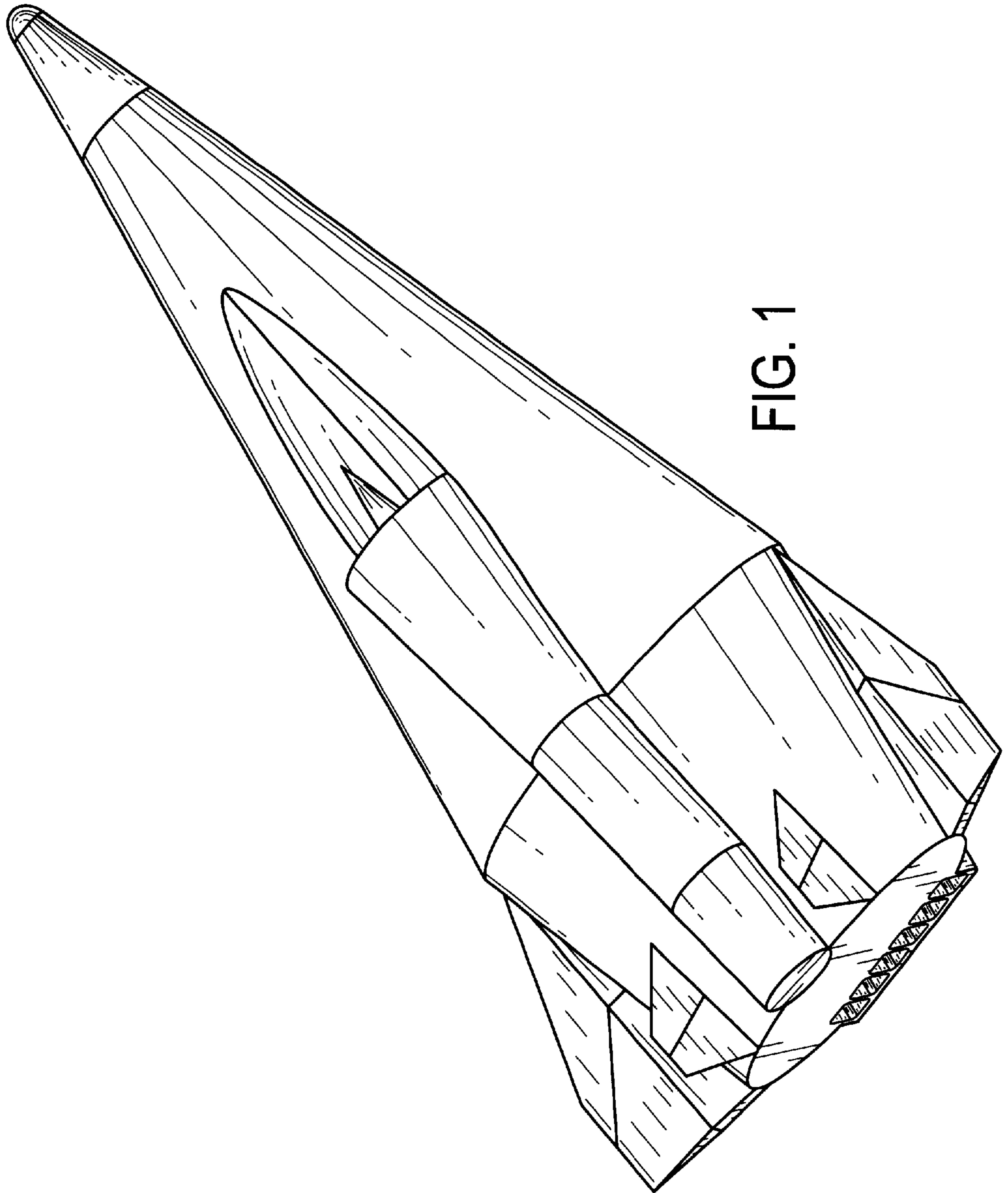


FIG. 1

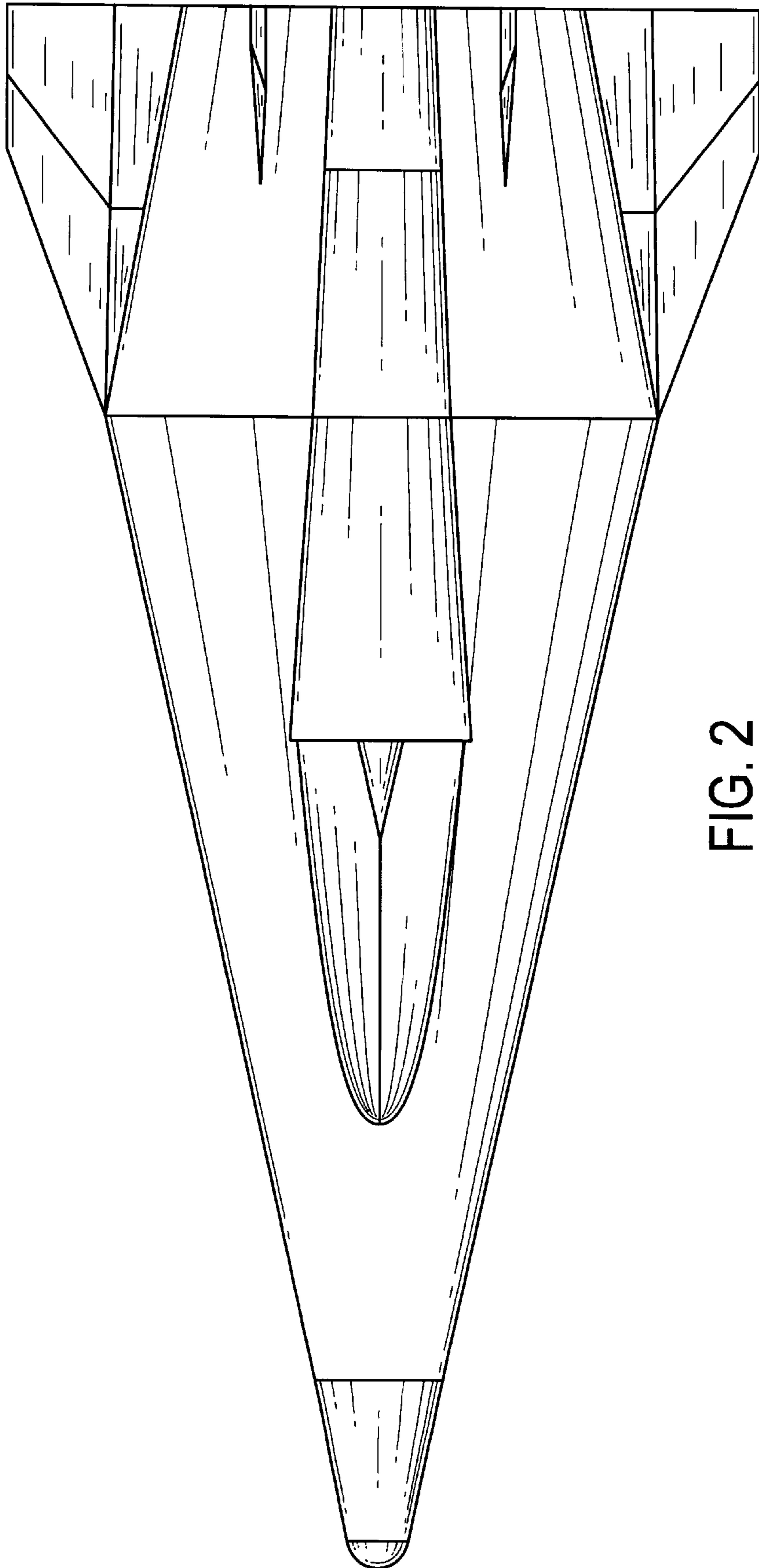


FIG. 2

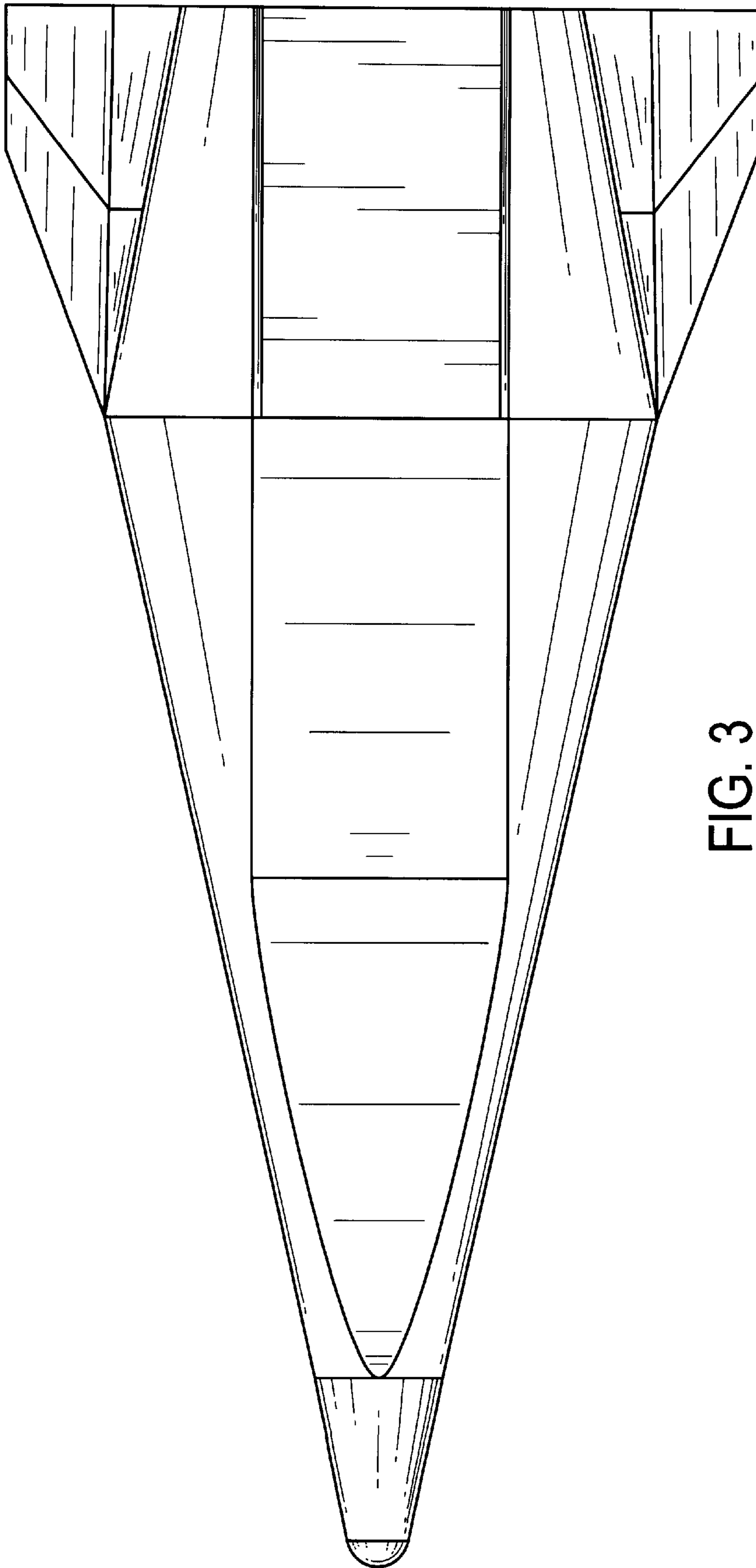


FIG. 3

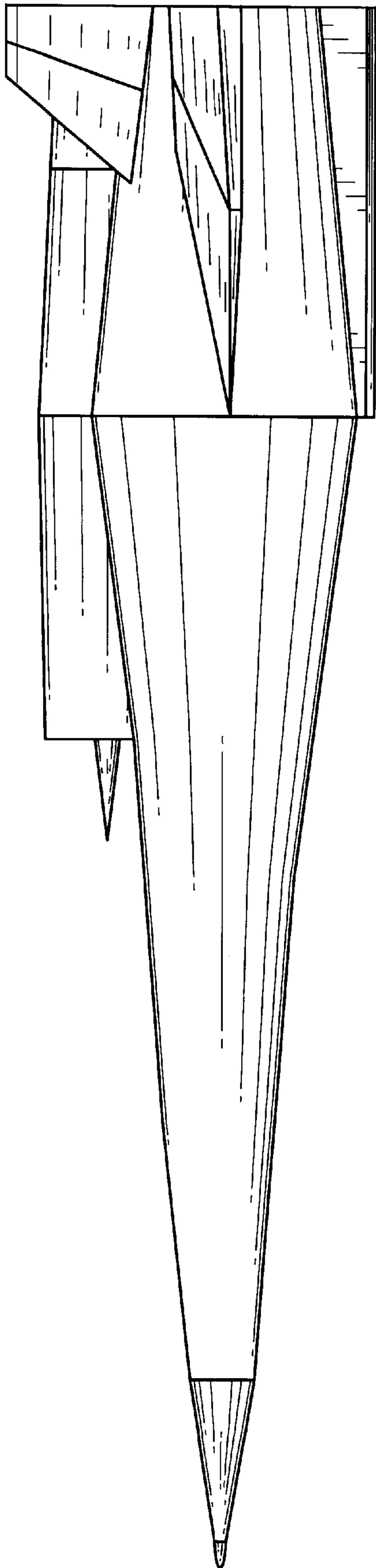


FIG. 4

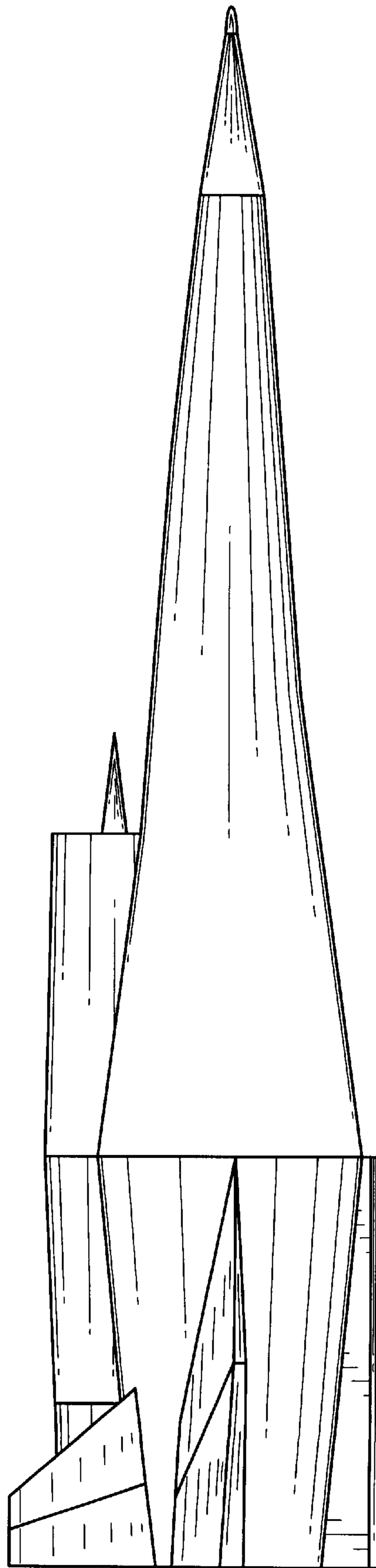


FIG. 5

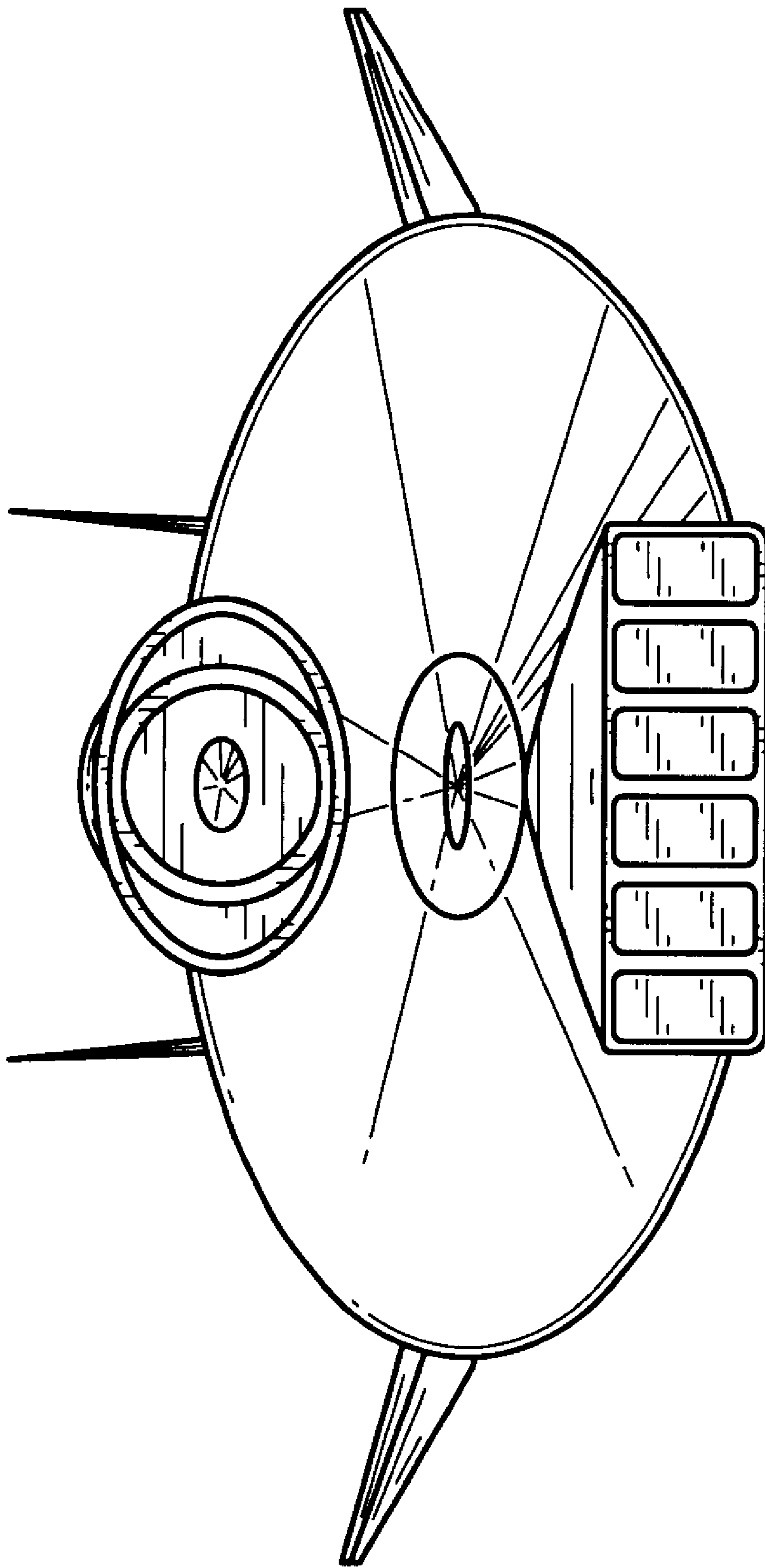


FIG. 6

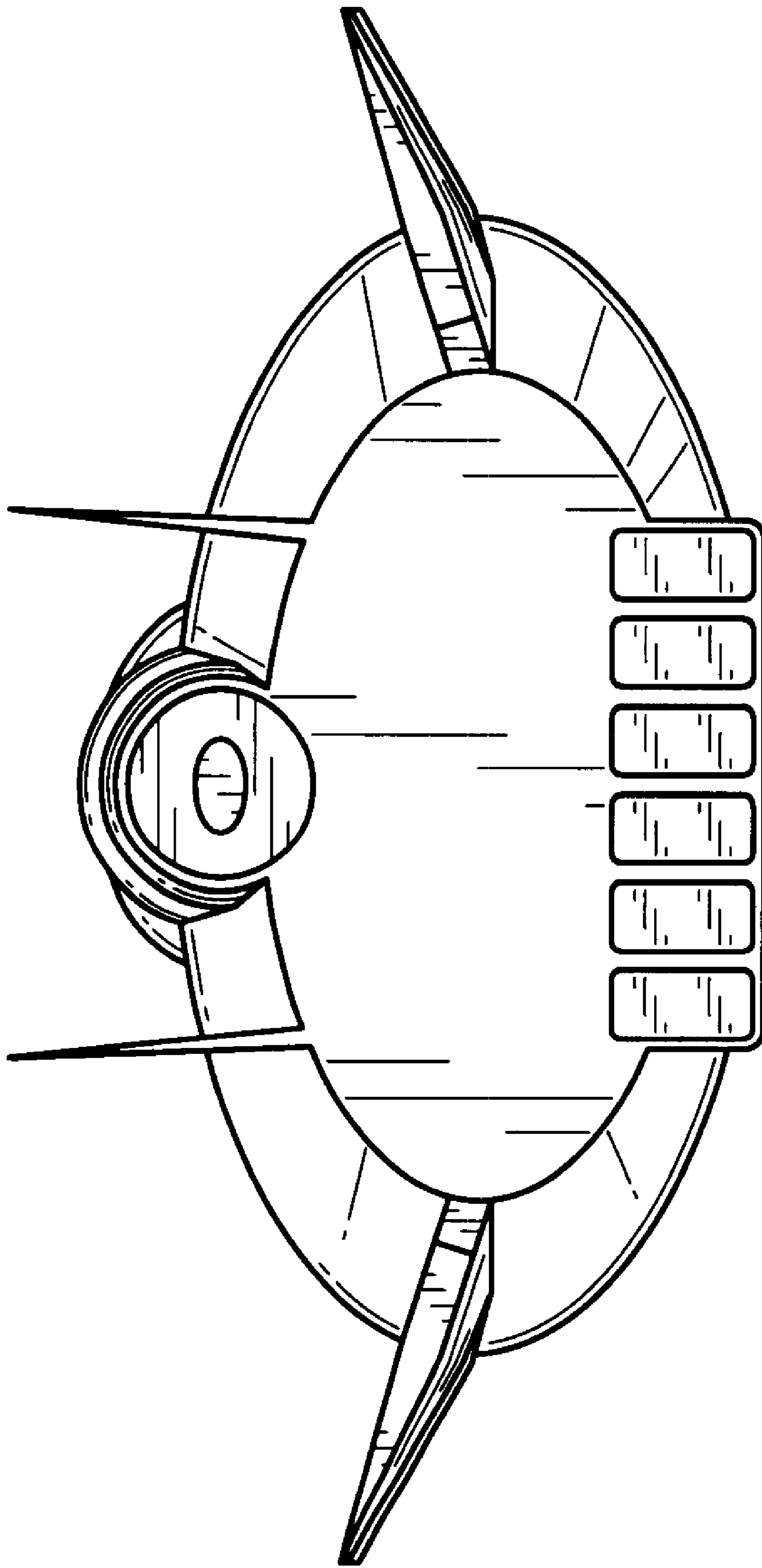


FIG. 7

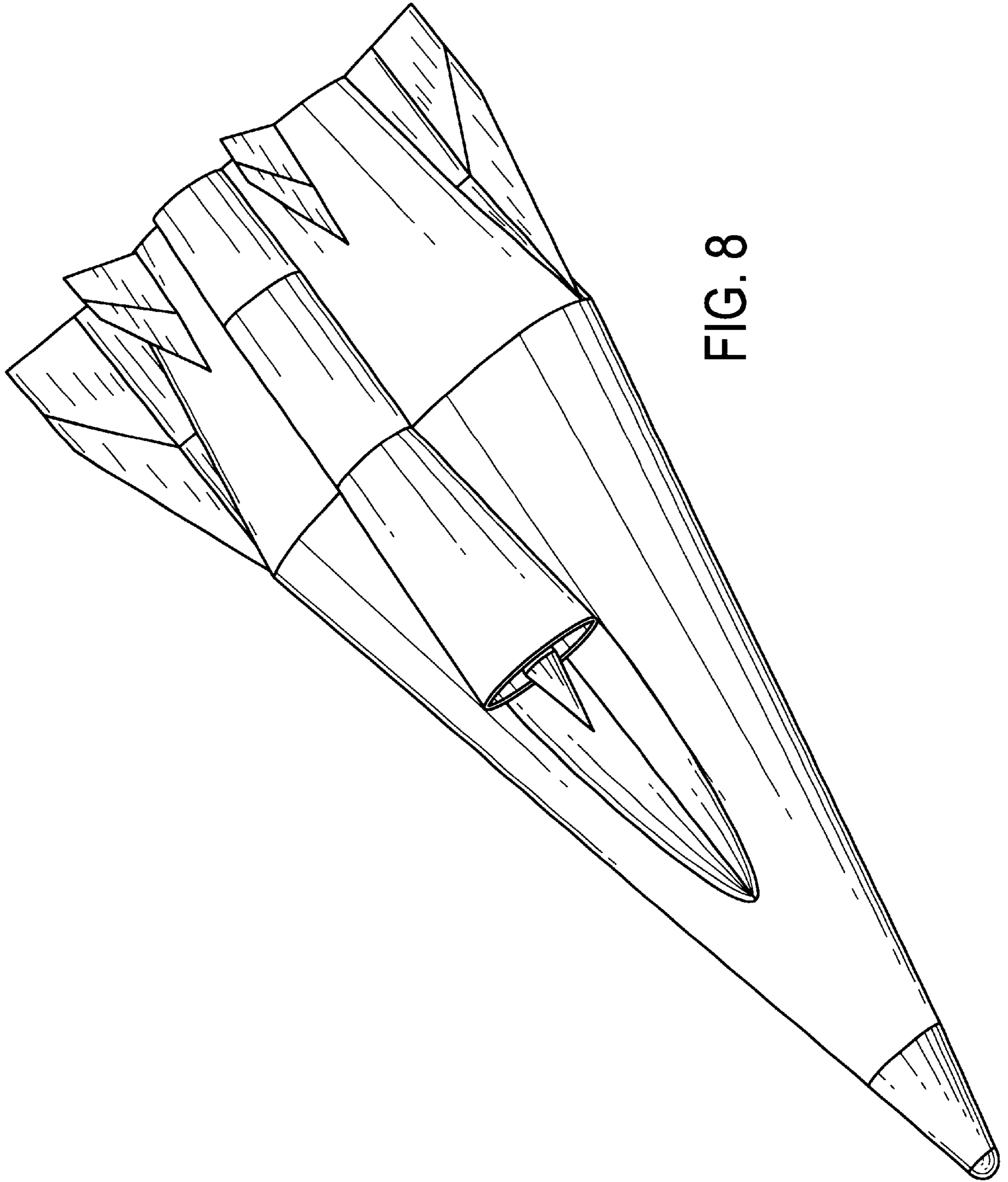


FIG. 8