



US00D468254S

(12) **United States Design Patent**  
**Eck**

(10) **Patent No.:** **US D468,254 S**

(45) **Date of Patent:** **\*\* Jan. 7, 2003**

(54) **ELEMENTS OF A WAKEBOARD TOWER**

(75) Inventor: **Richard E. Eck**, Mount Vernon, IL (US)

(73) Assignee: **Bombardier Motor Corporation of America**, Grant, FL (US)

(\*\*) Term: **14 Years**

(21) Appl. No.: **29/157,129**

(22) Filed: **Mar. 14, 2002**

**Related U.S. Application Data**

(62) Division of application No. 29/154,734, filed on Jan. 25, 2002.

(51) **LOC (7) Cl.** ..... **12-06**

(52) **U.S. Cl.** ..... **D12/317**

(58) **Field of Search** ..... D12/300-317;  
114/253, 254, 242

(56) **References Cited**

**U.S. PATENT DOCUMENTS**

- D409,972 S \* 5/1999 Todd ..... D12/317
- 6,192,819 B1 \* 2/2001 Larson et al. .... 114/253
- D442,910 S \* 5/2001 Metcalf ..... D12/317
- 2001/0045182 A1 \* 11/2001 Roeseler et al. .... 114/253

**OTHER PUBLICATIONS**

- <http://www.caribecatalog.com/store.asp>, Copyright 2002.
- <http://www.boardsparadisewakeboardingshop.com/store/shop.mpl>, Copyright 2001-2002.

- <http://www.waketower.com/>, Copyright 2001-2002.
- <http://bossaccessories.com/>, Copyright 2002.
- <http://skylonsports.com//>, Copyright 2001.
- <http://mastercraft.com//>, Copyright 2001.
- <http://tige.com/home.htm/>, Copyright 2001.
- <http://malibuboats.com/>, Copyright 2001.
- [http://skinautique.com/index\\_13 flash.cfm/](http://skinautique.com/index_13_flash.cfm/), Copyright 2002.

\* cited by examiner

*Primary Examiner*—Lisa Lichtenstein  
(74) *Attorney, Agent, or Firm*—Pillsbury Winthrop LLP

(57) **CLAIM**

The ornamental design of elements of a wakeboard tower, as shown and described.

**DESCRIPTION**

FIG. 1 is a perspective illustration, from the front and right side, of selected elements of the wakeboard tower of my design;

FIG. 2 is a top view thereof;

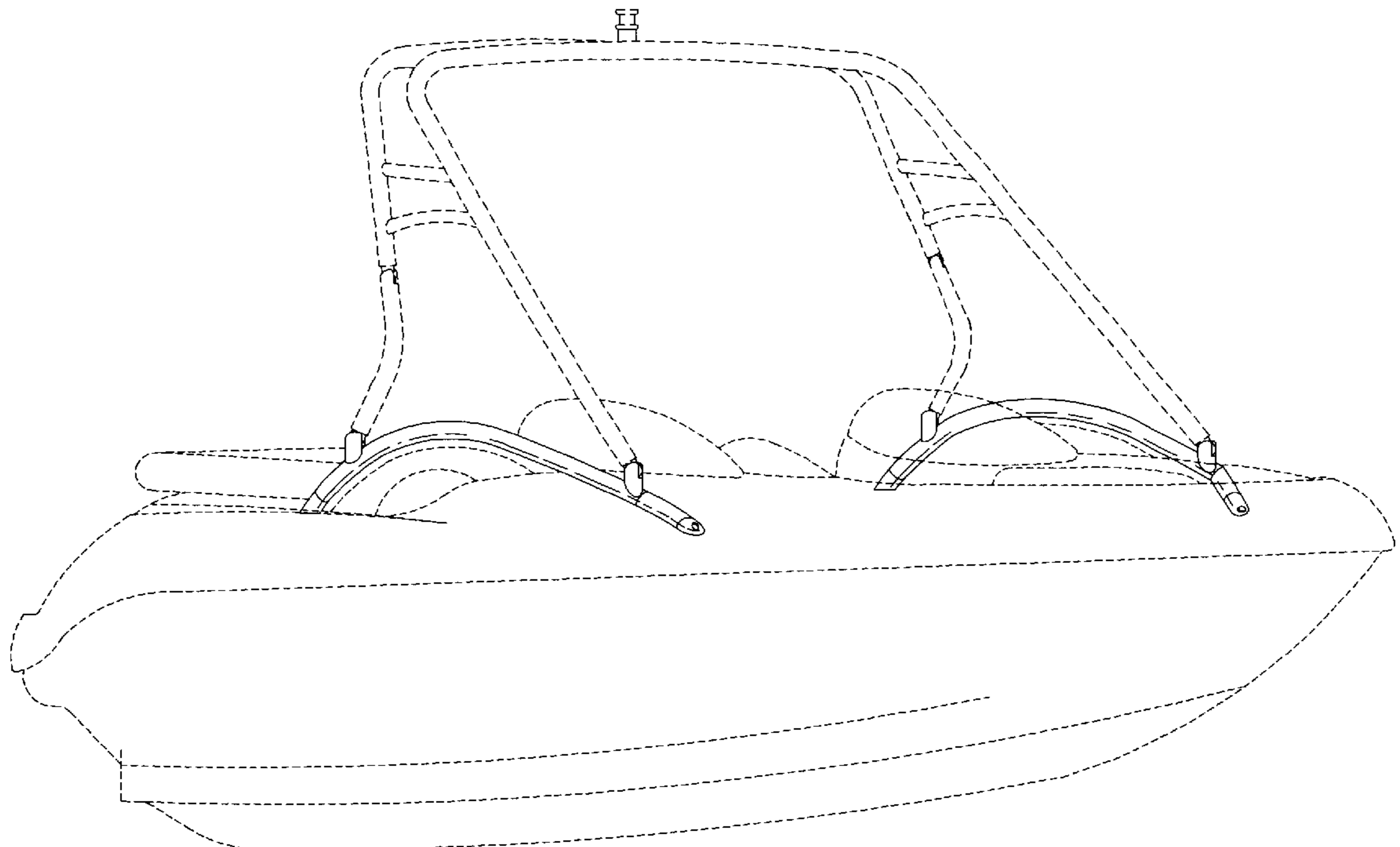
FIG. 3 is a right side view thereof, the left side view being a mirror image of illustrated right side view;

FIG. 4 is a front view thereof; and,

FIG. 5 is a rear view thereof.

In FIGS. 1-5, broken lines showing environment or structure are for illustrative purposes only and form no part of the claimed design.

**1 Claim, 3 Drawing Sheets**



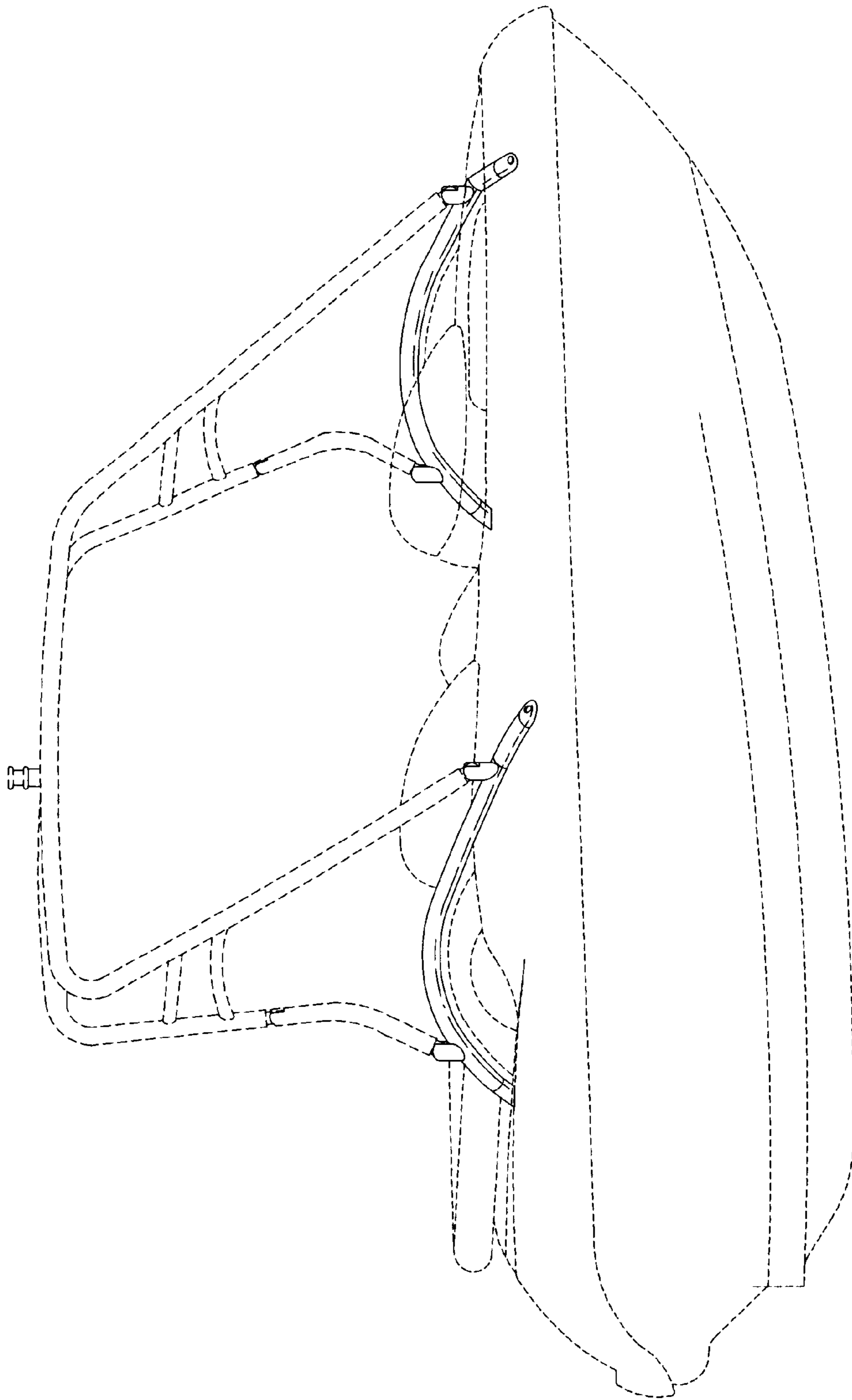


FIG. 1

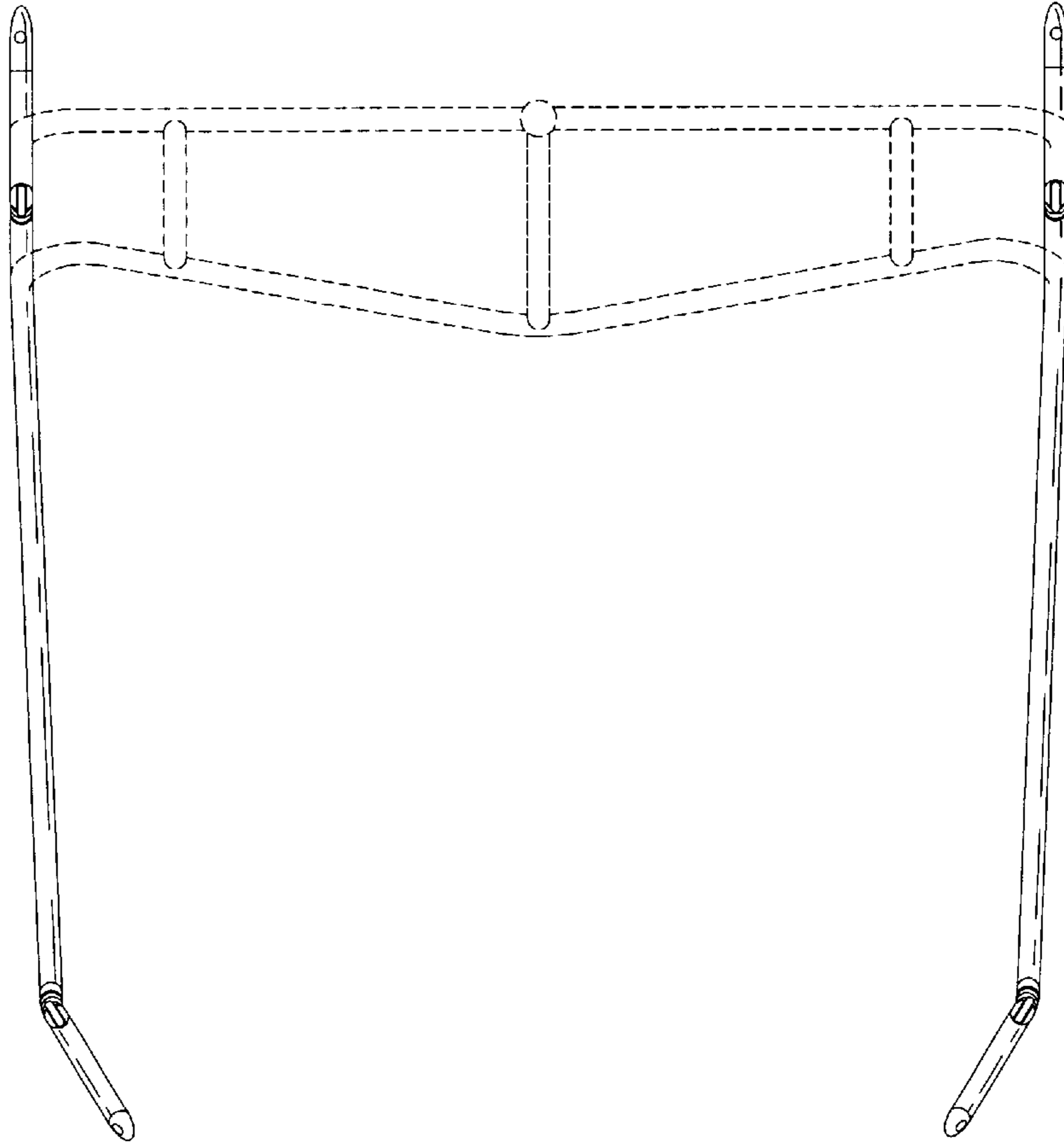


FIG. 2

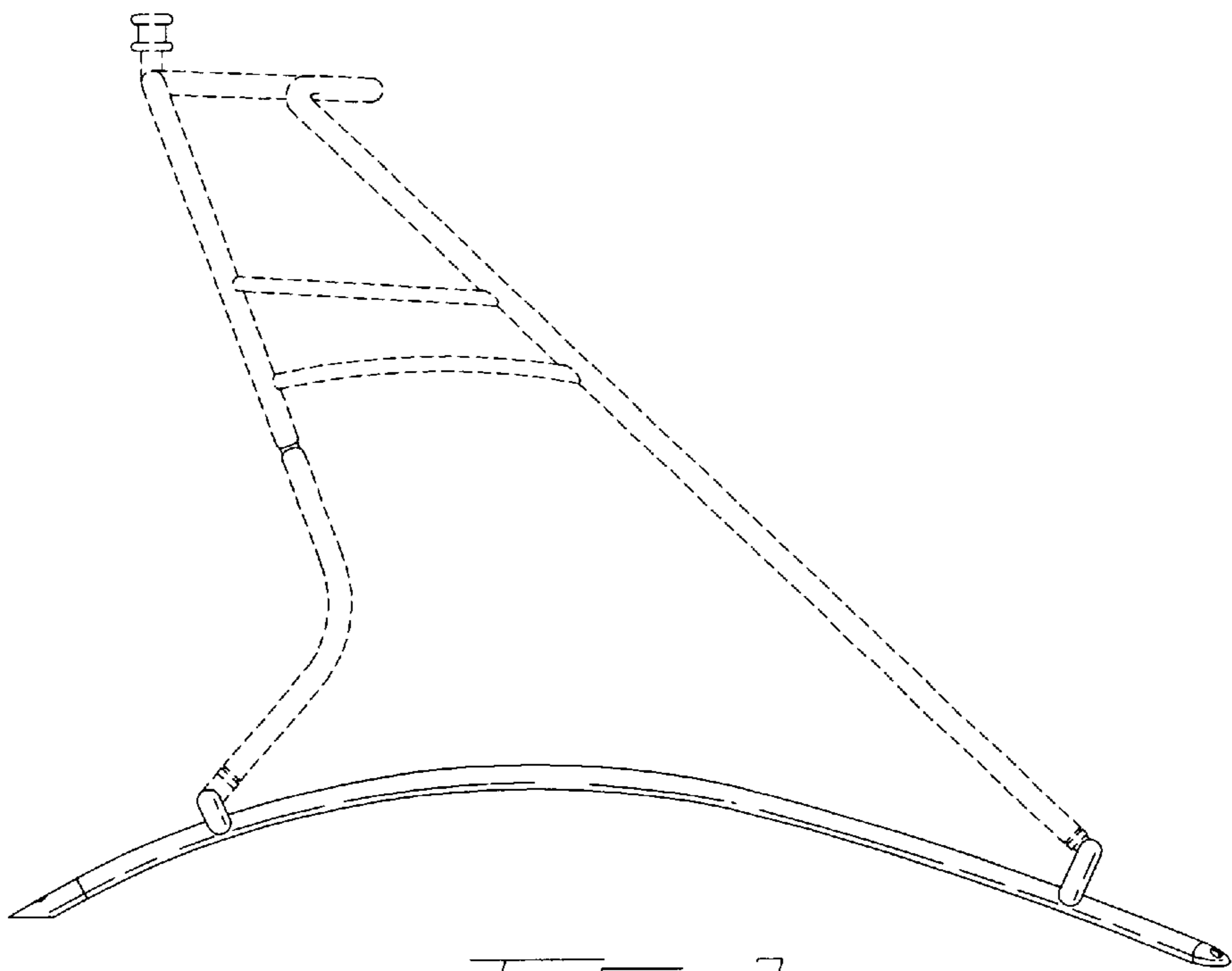


FIG. 3

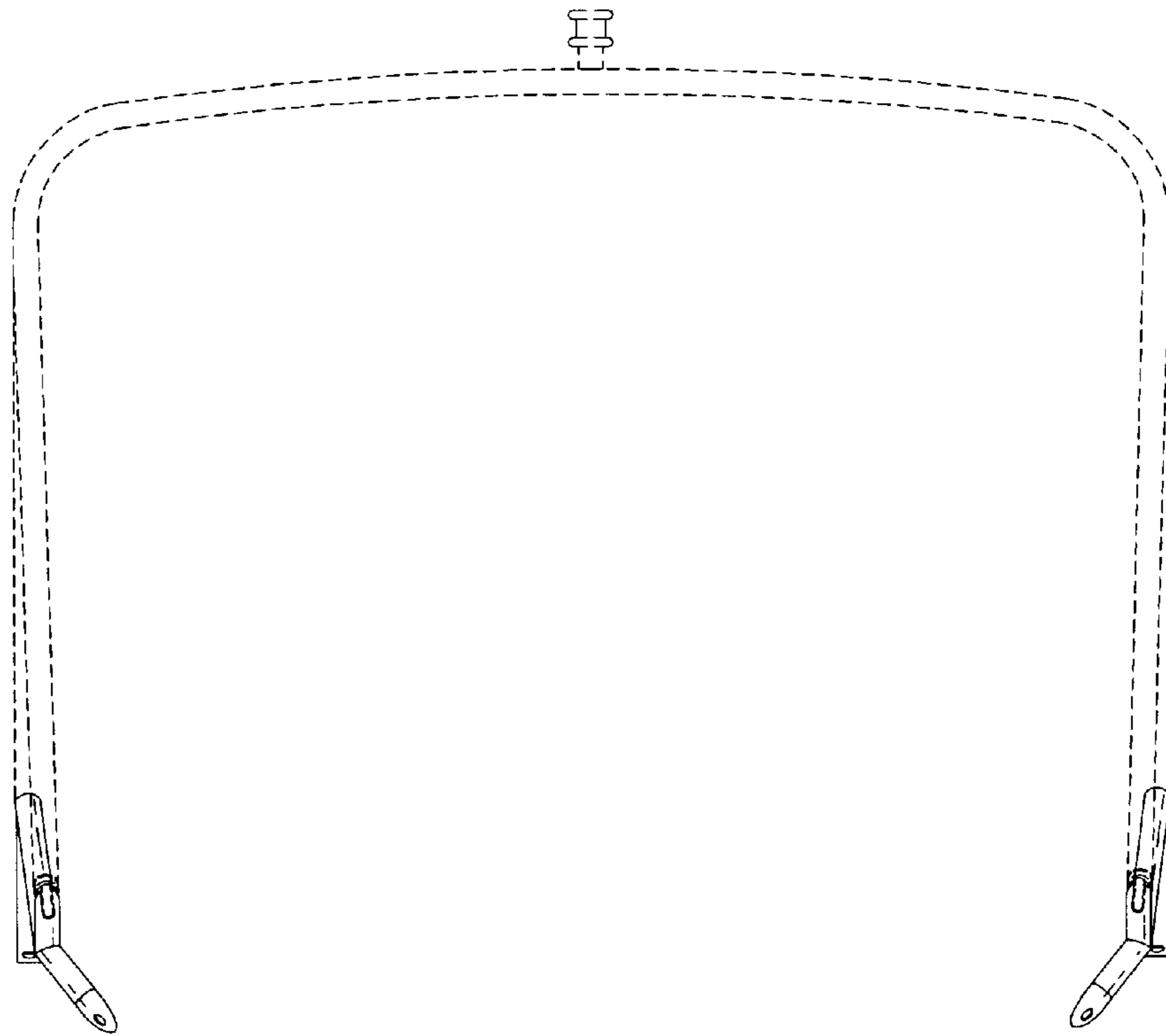


FIG. 4

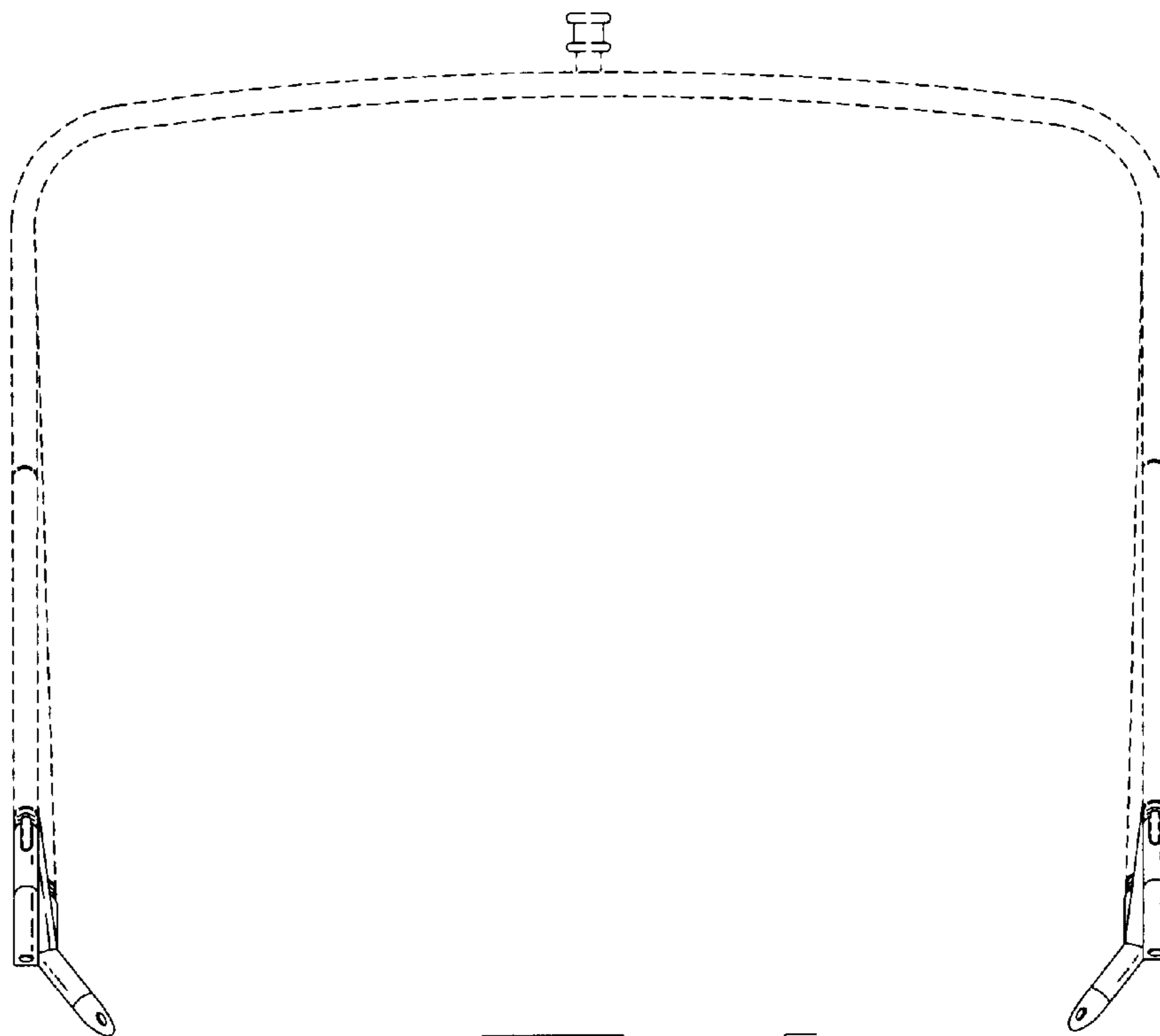


FIG. 5