

US00D468251S

(12) **United States Design Patent**
Chung

(10) **Patent No.:** **US D468,251 S**

(45) **Date of Patent:** **** Jan. 7, 2003**

(54) **AUTOMOTIVE WHEEL**

(75) **Inventor:** **Suny Chung**, Placentia, CA (US)

(73) **Assignee:** **MKW Alloy, Inc.**, City of Industry, CA (US)

(**) **Term:** **14 Years**

(21) **Appl. No.:** **29/160,432**

(22) **Filed:** **May 13, 2002**

(51) **LOC (7) Cl.** **12-16**

(52) **U.S. Cl.** **D12/211**

(58) **Field of Search** D12/204-211;
301/37.101, 64.101, 65

(56) **References Cited**

U.S. PATENT DOCUMENTS

| | | | | | |
|------------|---|---------|-------|-------|---------|
| D432,972 S | * | 10/2000 | Chung | | D12/209 |
| D438,832 S | * | 3/2001 | Ong | | D12/209 |
| D438,834 S | * | 3/2001 | Ong | | D12/211 |
| D445,082 S | * | 7/2001 | Chung | | D12/211 |

| | | | | | |
|------------|---|--------|---------|-------|---------|
| D456,331 S | * | 4/2002 | Chung | | D12/209 |
| D457,849 S | * | 5/2002 | Kataoka | | D12/209 |
| D459,687 S | * | 7/2002 | Chung | | D12/209 |
| D461,154 S | * | 8/2002 | Kataoka | | D12/209 |
| D461,442 S | * | 8/2002 | Kataoka | | D12/211 |
| D461,758 S | * | 8/2002 | Takechi | | D12/211 |

* cited by examiner

Primary Examiner—Stacia Cadmus

(74) *Attorney, Agent, or Firm*—G Donald Weber, Jr.

(57) **CLAIM**

The ornamental design for an automotive wheel, as shown and described.

DESCRIPTION

FIG. 1 is an oblique view of a first embodiment of the automotive wheel of the instant invention; and, FIG. 2 is a front elevation view of the first embodiment of the automotive wheel of the instant invention.

The broken line showing of environment is for illustrative purposes and forms no part of the claimed design.

1 Claim, 1 Drawing Sheet

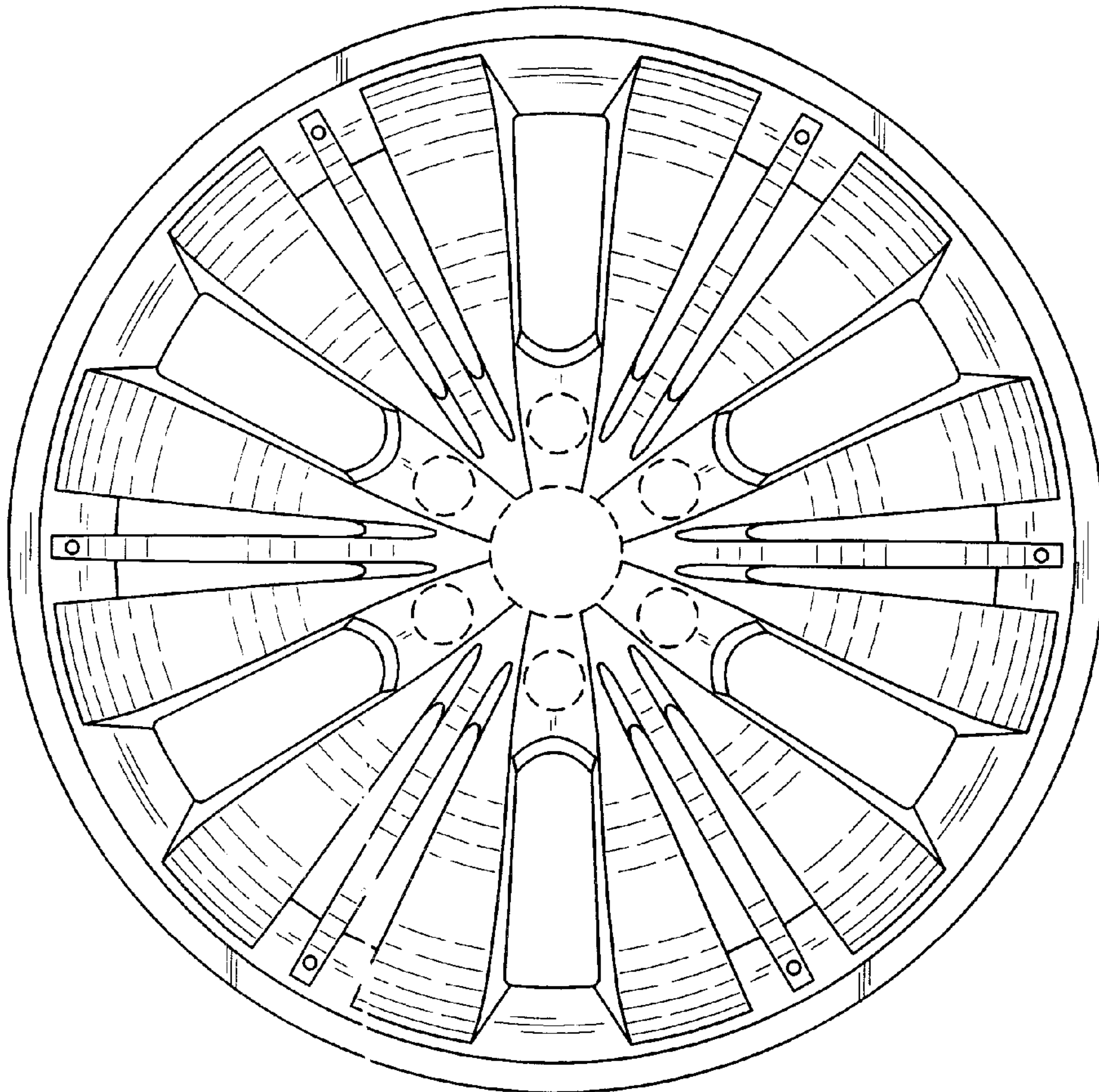


Fig. 1

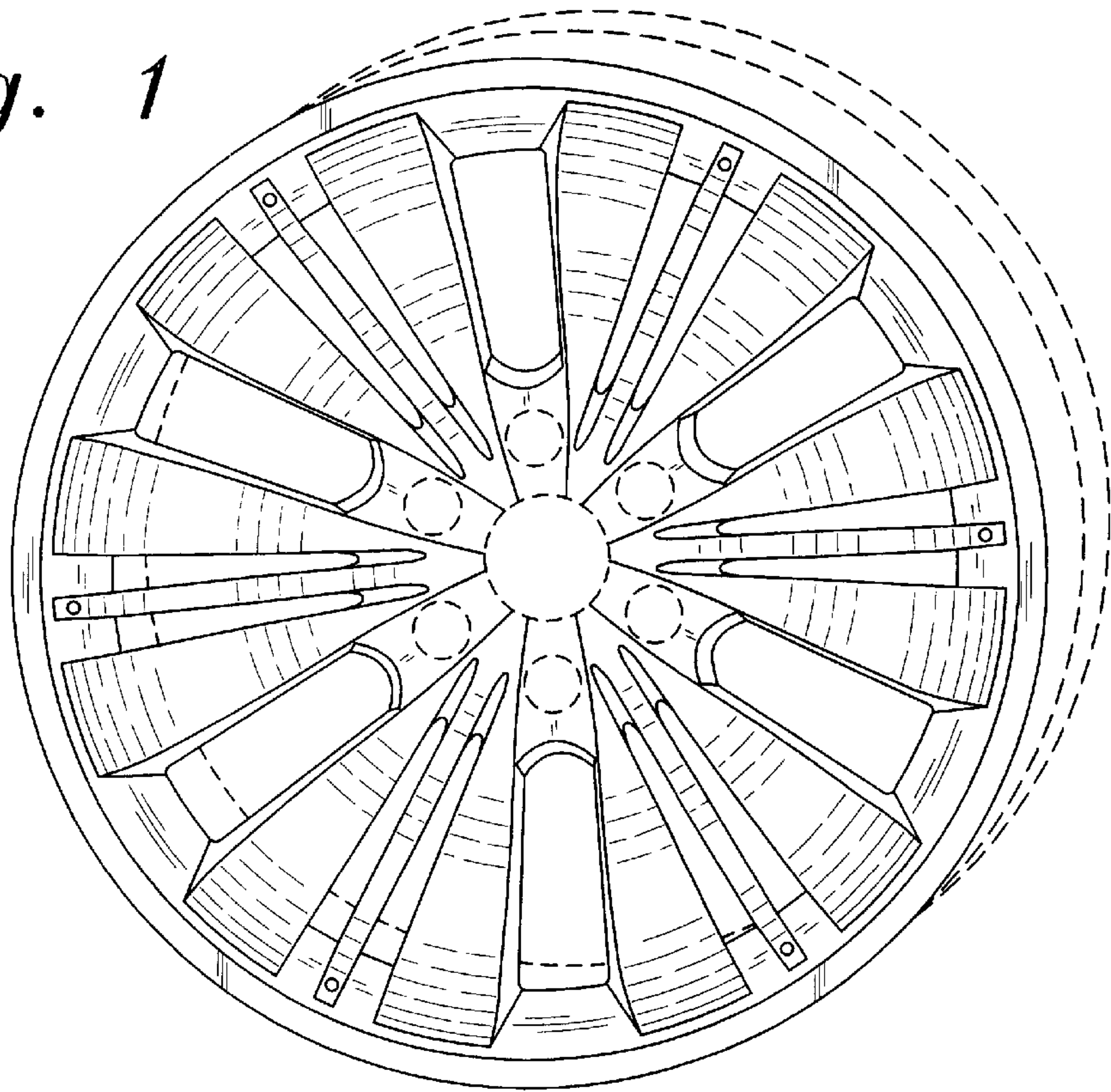


Fig. 2

