



US00D468250S

(12) **United States Design Patent**  
**Donikoglu**

(10) **Patent No.:** **US D468,250 S**

(45) **Date of Patent:** **\*\* Jan. 7, 2003**

(54) **WHEEL**

(75) **Inventor:** **Melkon A. Donikoglu**, Southfield, MI (US)

(73) **Assignee:** **Ultra Wheel Co.**, Buena Park, CA (US)

(\*\*) **Term:** **14 Years**

(21) **Appl. No.:** **29/119,218**

(22) **Filed:** **Feb. 25, 2000**

(51) **LOC (7) Cl.** ..... **12-16**

(52) **U.S. Cl.** ..... **D12/209**

(58) **Field of Search** ..... D12/204-211;  
301/37.1, 64.1, 65

|            |   |        |             |       |         |
|------------|---|--------|-------------|-------|---------|
| D419,947 S | * | 2/2000 | Chung       | ..... | D12/211 |
| D421,953 S | * | 3/2000 | Sims et al. | ..... | D12/211 |
| D423,445 S | * | 4/2000 | Baumgartner | ..... | D12/211 |
| D425,850 S | * | 5/2000 | Chung       | ..... | D12/211 |
| D428,380 S | * | 7/2000 | Chinellato  | ..... | D12/211 |
| D429,206 S | * | 8/2000 | Ito         | ..... | D12/211 |

\* cited by examiner

*Primary Examiner*—Stacia Cadmus

(74) *Attorney, Agent, or Firm*—Pretty & Schroeder, P.C.

(57) **CLAIM**

The ornamental design for a wheel, as shown and described.

**DESCRIPTION**

FIG. 1 is a perspective view of a wheel showing my new design;

FIG. 2 is a reduced front elevational view thereof;

FIG. 3 is a reduced left-side elevational view thereof, the right side being a mirror image of the left side; and,

FIG. 4 is a cross-sectional view thereof taken along the line 4-4 in FIG. 2.

The broken line disclosure in FIGS. 1-4 is for illustrative purposes only and forms no part of the claimed design.

The rear of the wheel forms no part of the claimed design.

(56) **References Cited**

**U.S. PATENT DOCUMENTS**

|            |   |         |                |       |         |
|------------|---|---------|----------------|-------|---------|
| D339,561 S | * | 9/1993  | Maiworm et al. | ..... | D12/211 |
| D375,075 S | * | 10/1996 | Kugler         | ..... | D12/209 |
| D393,825 S | * | 4/1998  | Fike           | ..... | D12/209 |
| D405,749 S | * | 2/1999  | Kulla          | ..... | D12/211 |
| D411,502 S | * | 6/1999  | Chung          | ..... | D12/211 |
| D413,853 S | * | 9/1999  | Hale, Jr.      | ..... | D12/211 |
| D414,454 S | * | 9/1999  | Chung          | ..... | D12/211 |
| D415,094 S | * | 10/1999 | Neeper         | ..... | D12/211 |

**1 Claim, 4 Drawing Sheets**

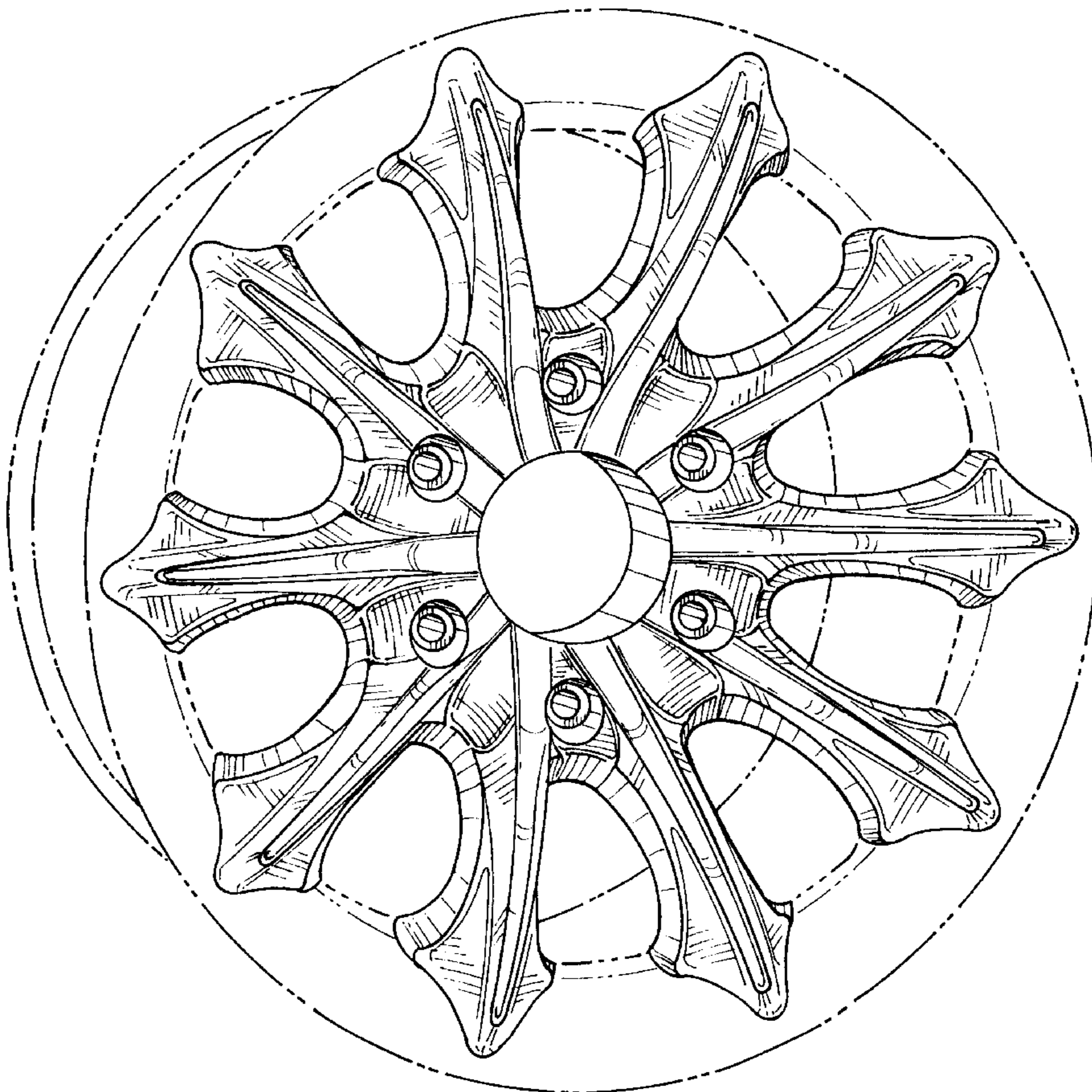


FIG. 1

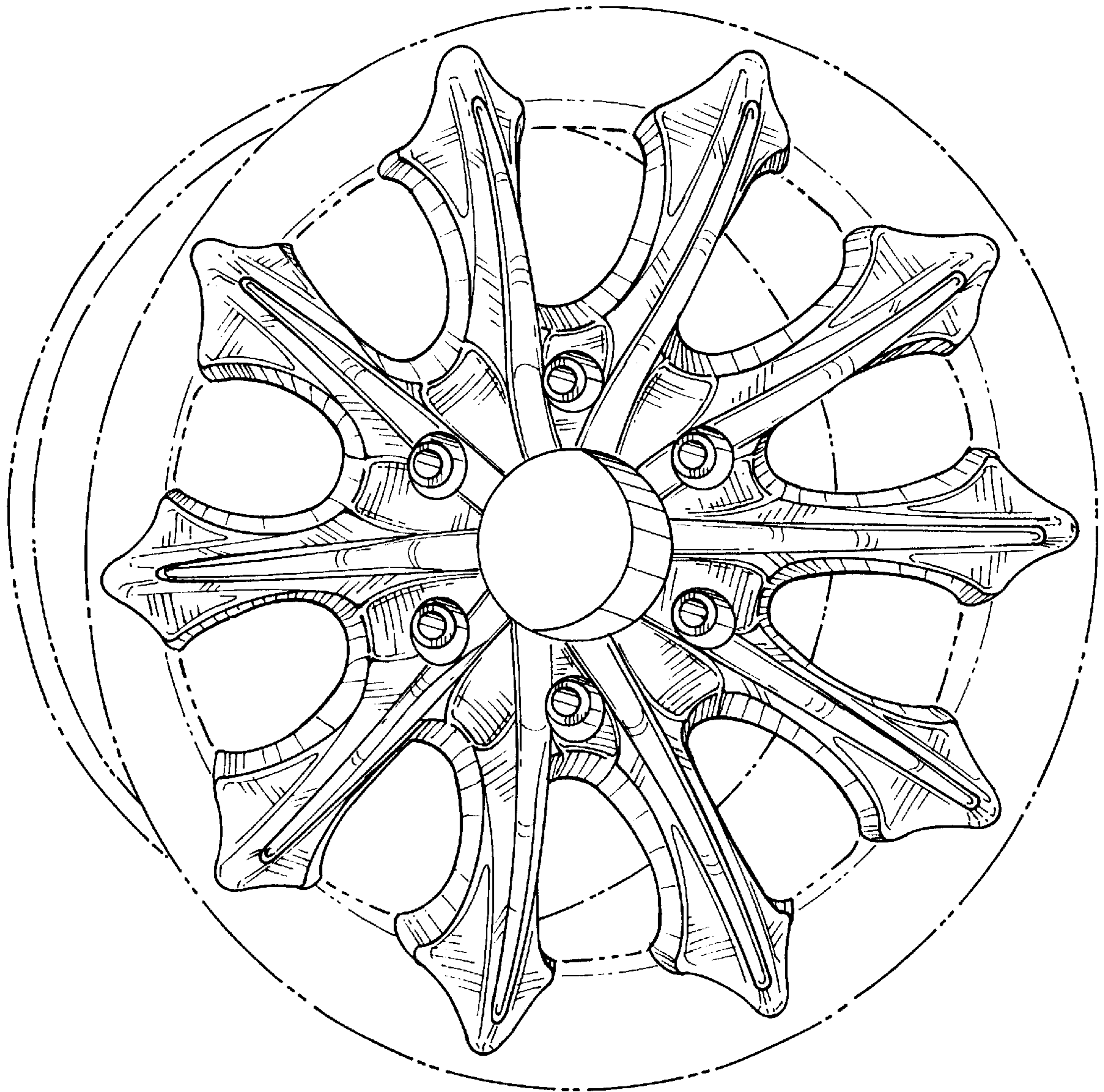
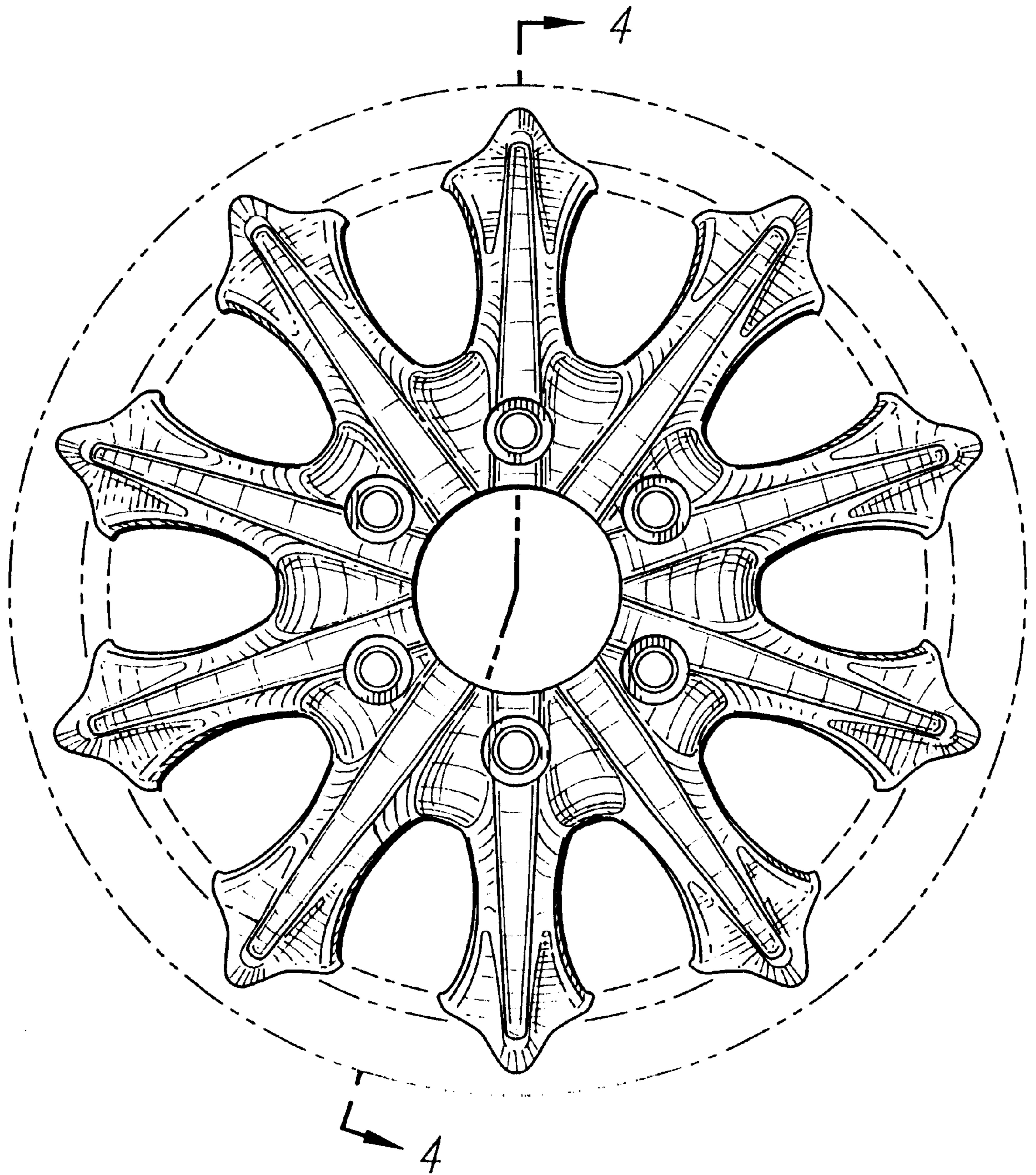
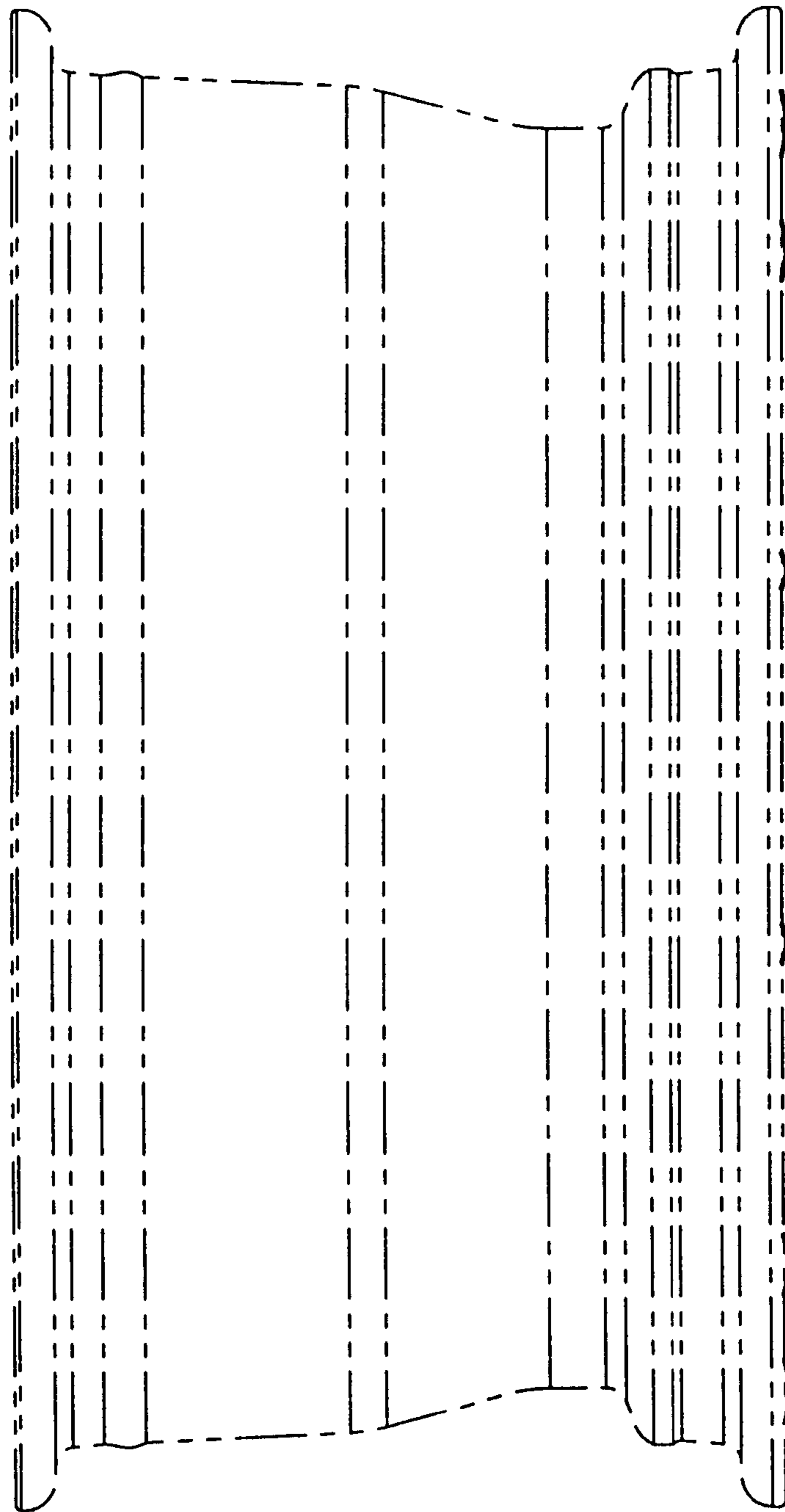


FIG. 2



*FIG. 3*



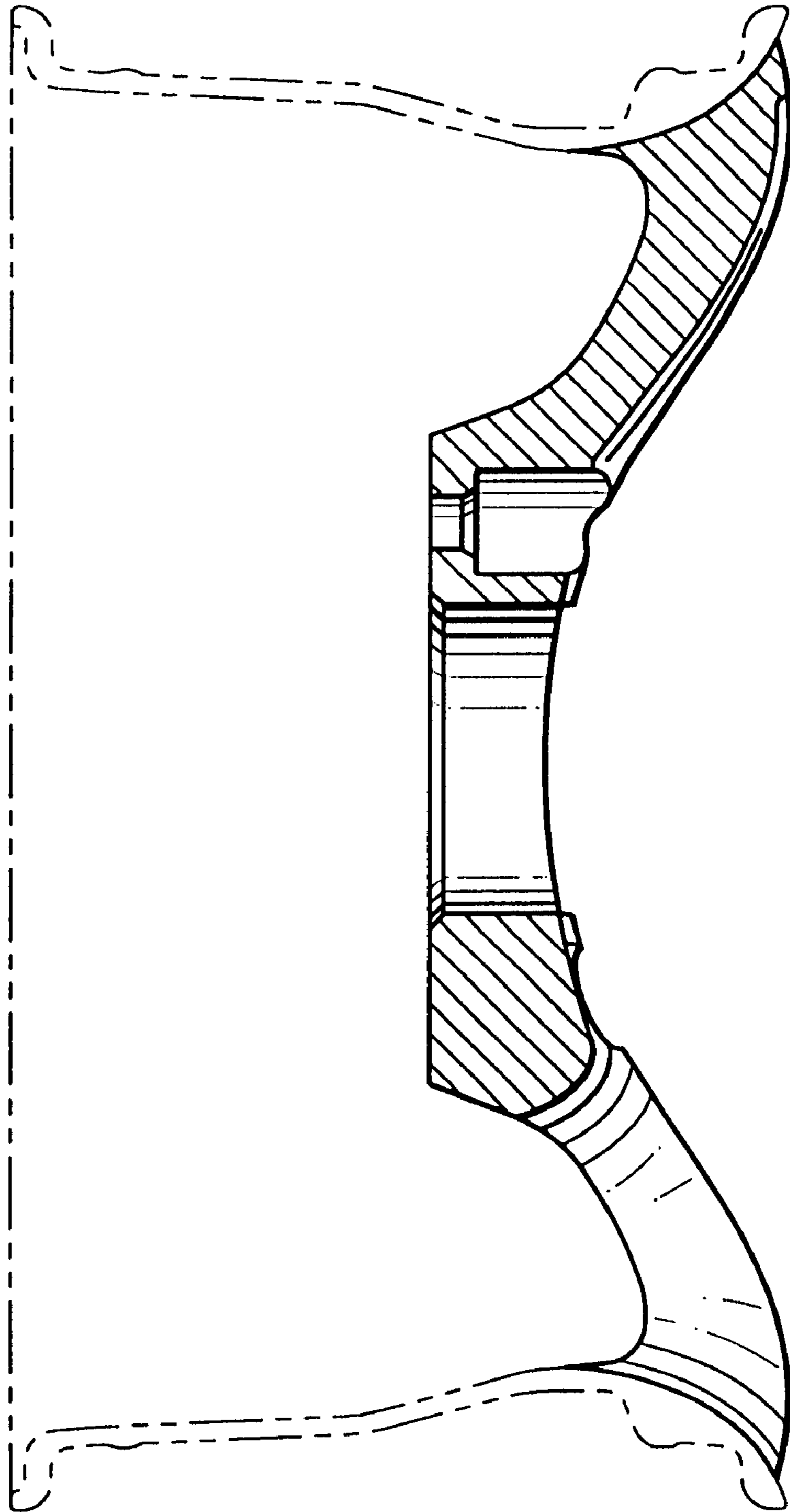


FIG. 4