



US00D468246S

(12) **United States Design Patent**
Wyszogrod et al.

(10) **Patent No.:** **US D468,246 S**

(45) **Date of Patent:** **** Jan. 7, 2003**

(54) **DOOR PANEL**

(75) Inventors: **Jose Wyszogrod**, Los Angeles, CA
(US); **Clarissa Mercedes McPeck**
Rincon, Pasadena, CA (US)

(73) Assignee: **Honda Giken Kogyo Kabushiki**
Kaisha, Tokyo (JP)

(**) Term: **14 Years**

(21) Appl. No.: **29/157,772**

(22) Filed: **Mar. 26, 2002**

(51) **LOC (7) Cl.** **12-16**

(52) **U.S. Cl.** **D12/195**

(58) **Field of Search** D12/195, 190;
49/501, 502; 296/37.1, 37.13, 149, 153,
146.1

(56) **References Cited**

U.S. PATENT DOCUMENTS

- D382,528 S * 8/1997 Hellhake et al. D12/195
- D387,024 S * 12/1997 Hellhake et al. D12/195
- D409,965 S * 5/1999 Mueller et al. D12/195

- D411,157 S * 6/1999 Sacco et al. D12/195
- D415,461 S * 10/1999 Sacco et al. D12/195
- D433,978 S * 11/2000 Tsay D12/195
- D435,003 S * 12/2000 Tsay D12/195
- D458,883 S 6/2002 Tsay et al.

* cited by examiner

Primary Examiner—Stacia Cadmus

(57) **CLAIM**

The ornamental design for a door panel, as shown and described.

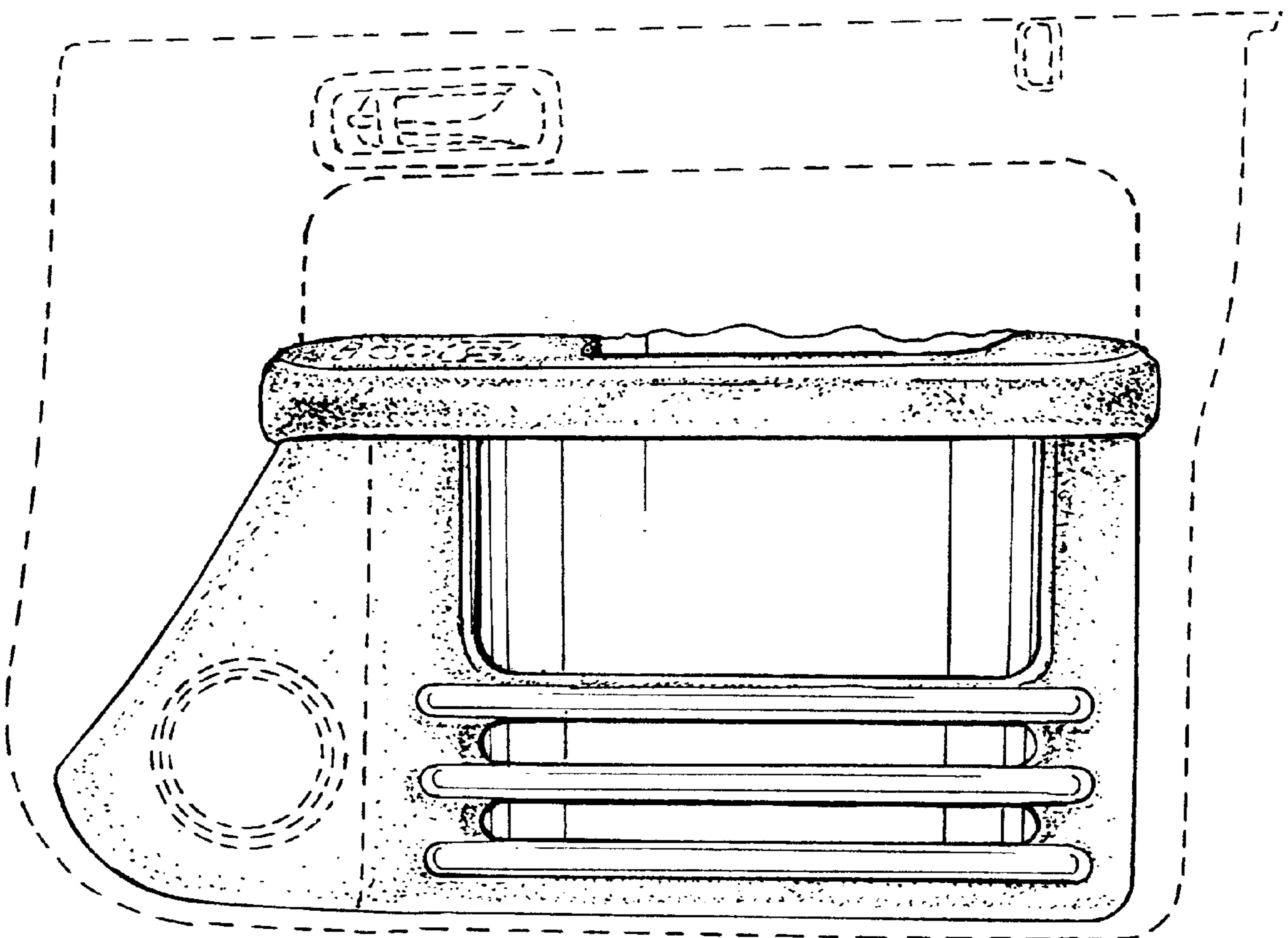
DESCRIPTION

FIG. 1 is a front elevational view of the door panel showing our new design; and,

FIG. 2 is an upper perspective view thereof.

The uneven line adjacent to the armrest and immediately above the shaded area represents an unclaimed boundary of the design. The broken line showings of the control buttons on the armrest, the speaker, the speaker grill border, the door handle, the lock/unlock button, and the trim above the armrest are for illustrative purposes only and form no part of the claimed design.

1 Claim, 1 Drawing Sheet



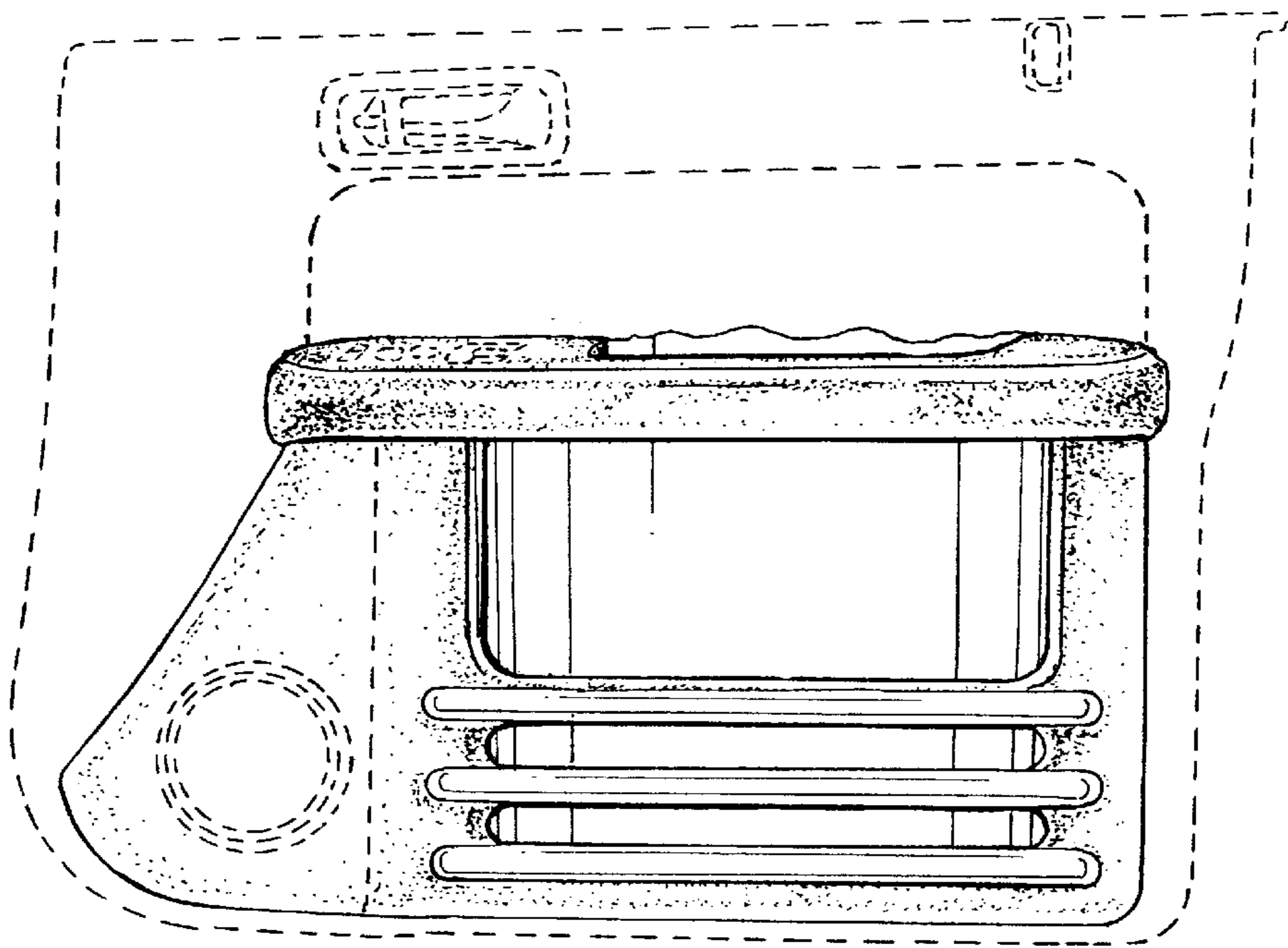


FIG. 1

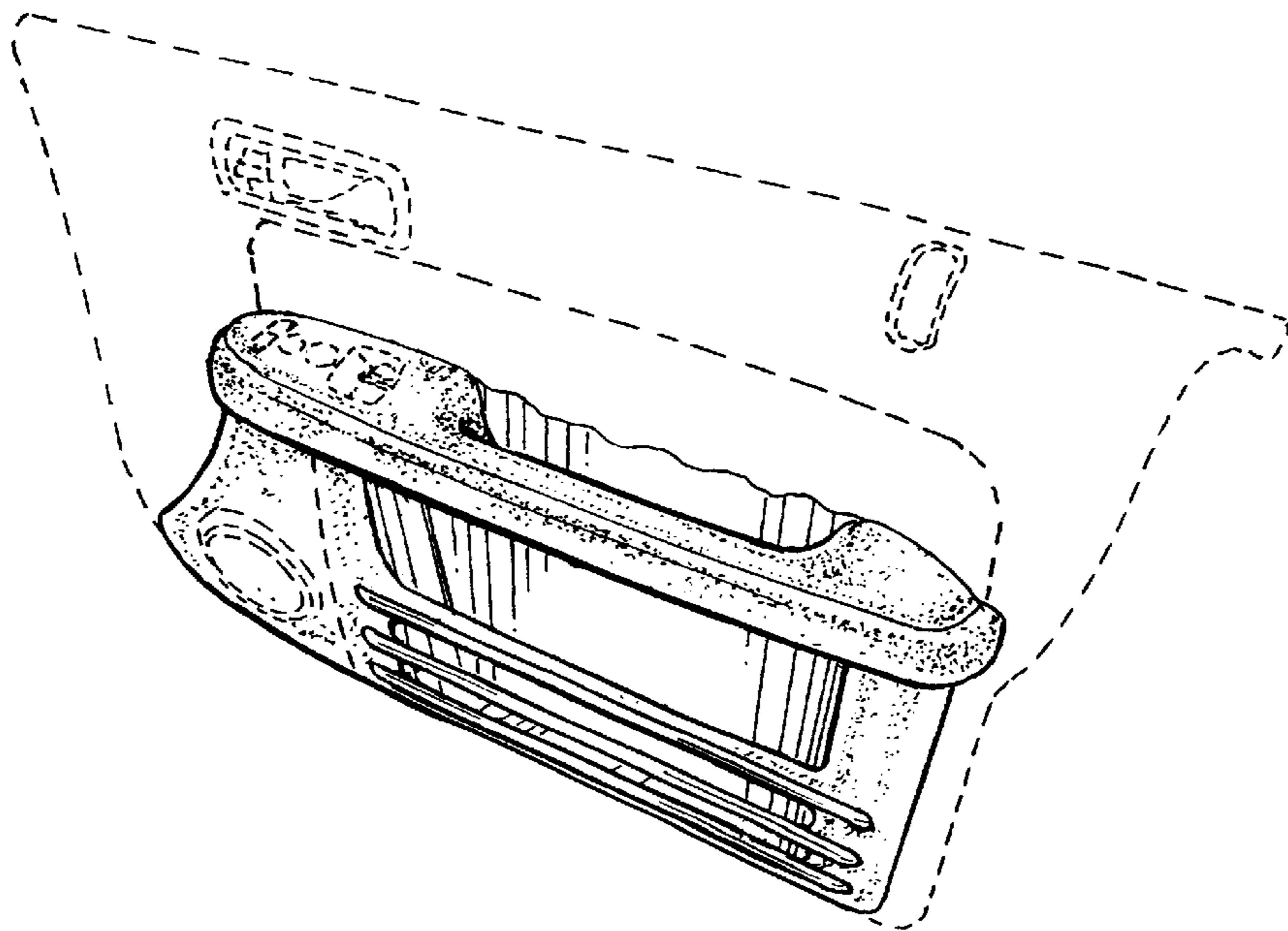


FIG. 2