



US00D468244S

(12) **United States Design Patent**
Schmidt et al.

(10) **Patent No.:** **US D468,244 S**

(45) **Date of Patent:** **** Jan. 7, 2003**

(54) **VEHICULAR EXTERIOR MIRROR HOUSING**

D448,333 S * 9/2001 Stenzel D12/187

* cited by examiner

(76) Inventors: **William P. Schmidt**, 20950 Woodruff, Rockwood, MI (US) 48173; **Daniel M. Swain**, 12661 Drake St., Southgate, MI (US) 48195

Primary Examiner—Melody N. Brown
(74) *Attorney, Agent, or Firm*—Plunkett & Cooney, P.C.; Arnold S. Weintraub

(**) Term: **14 Years**

(57) **CLAIM**

The ornamental design for a vehicular exterior mirror housing, as shown.

(21) Appl. No.: **29/145,301**

DESCRIPTION

(22) Filed: **Jul. 19, 2001**

(51) **LOC (7) Cl.** **12-16**

(52) **U.S. Cl.** **D12/187**

(58) **Field of Search** D12/187, 188, D12/189, 123; 359/842, 844, 871-876, 838, 848-867, 879, 880; 248/475.1, 300

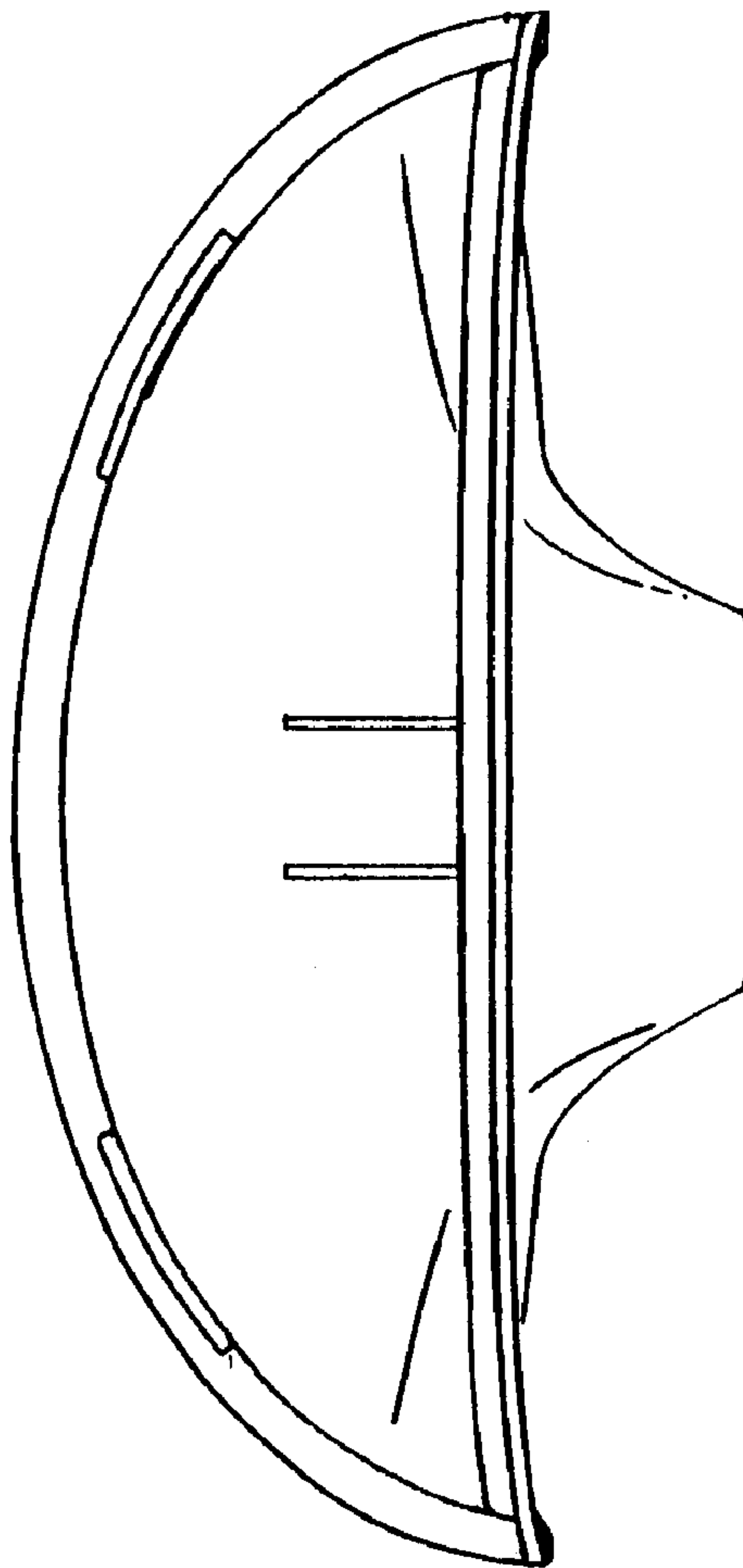
FIG. 1 is a perspective view of a vehicular exterior mirror housing showing our new design;
FIG. 2 is a rear elevational view thereof;
FIG. 3 is a first side elevational view thereof;
FIG. 4 is a front elevational view thereof;
FIG. 5 is a second side elevational view thereof, as seen from the side opposite of FIG. 3;
FIG. 6 is a top plan view thereof; and,
FIG. 7 is a bottom plan view thereof, as seen from the end opposite that of FIG. 4.

(56) **References Cited**

U.S. PATENT DOCUMENTS

D395,861 S * 7/1998 Schmidt et al. D12/187
D424,001 S * 5/2000 Enylander D12/187

1 Claim, 2 Drawing Sheets



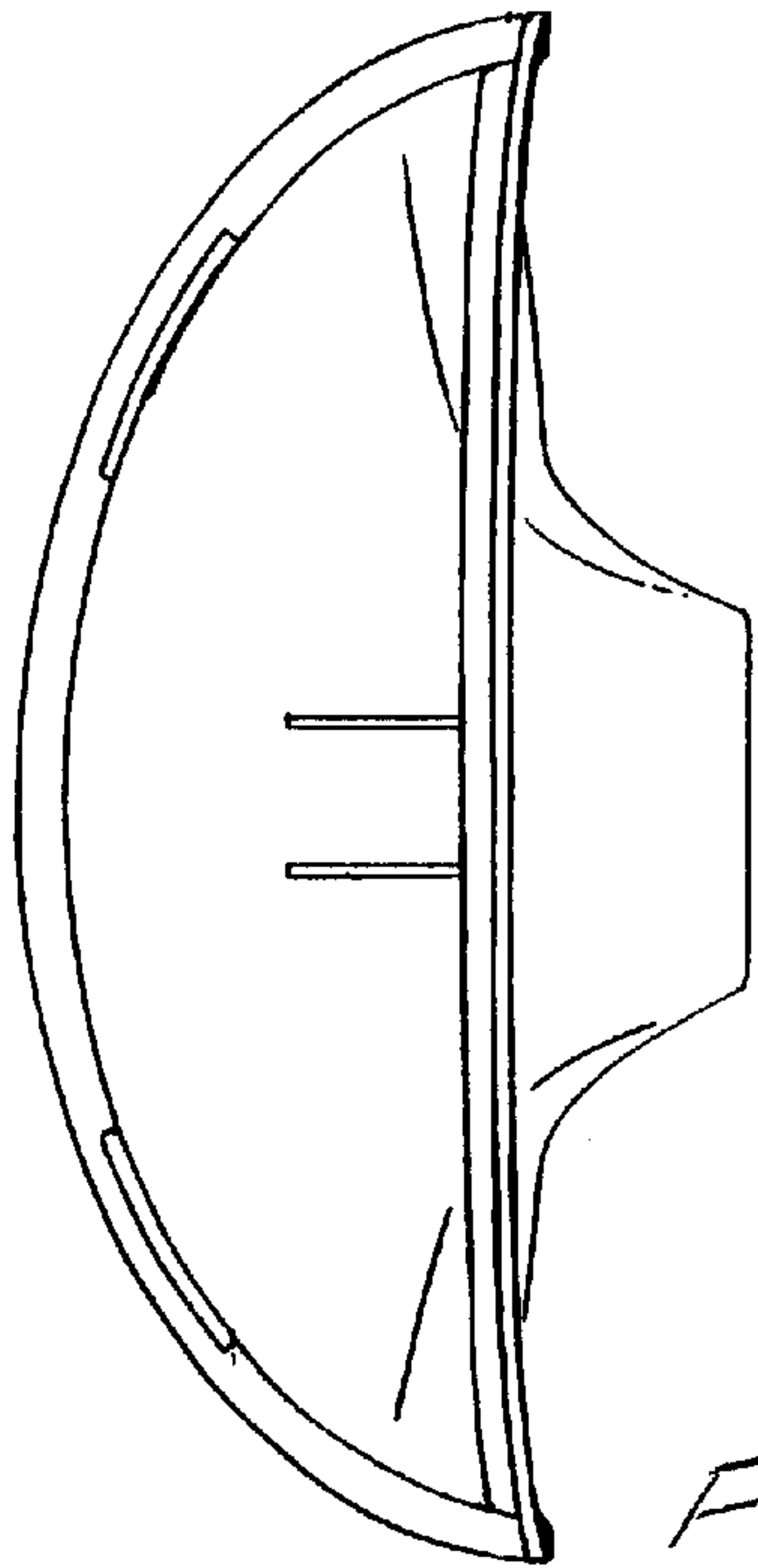


FIG. 1

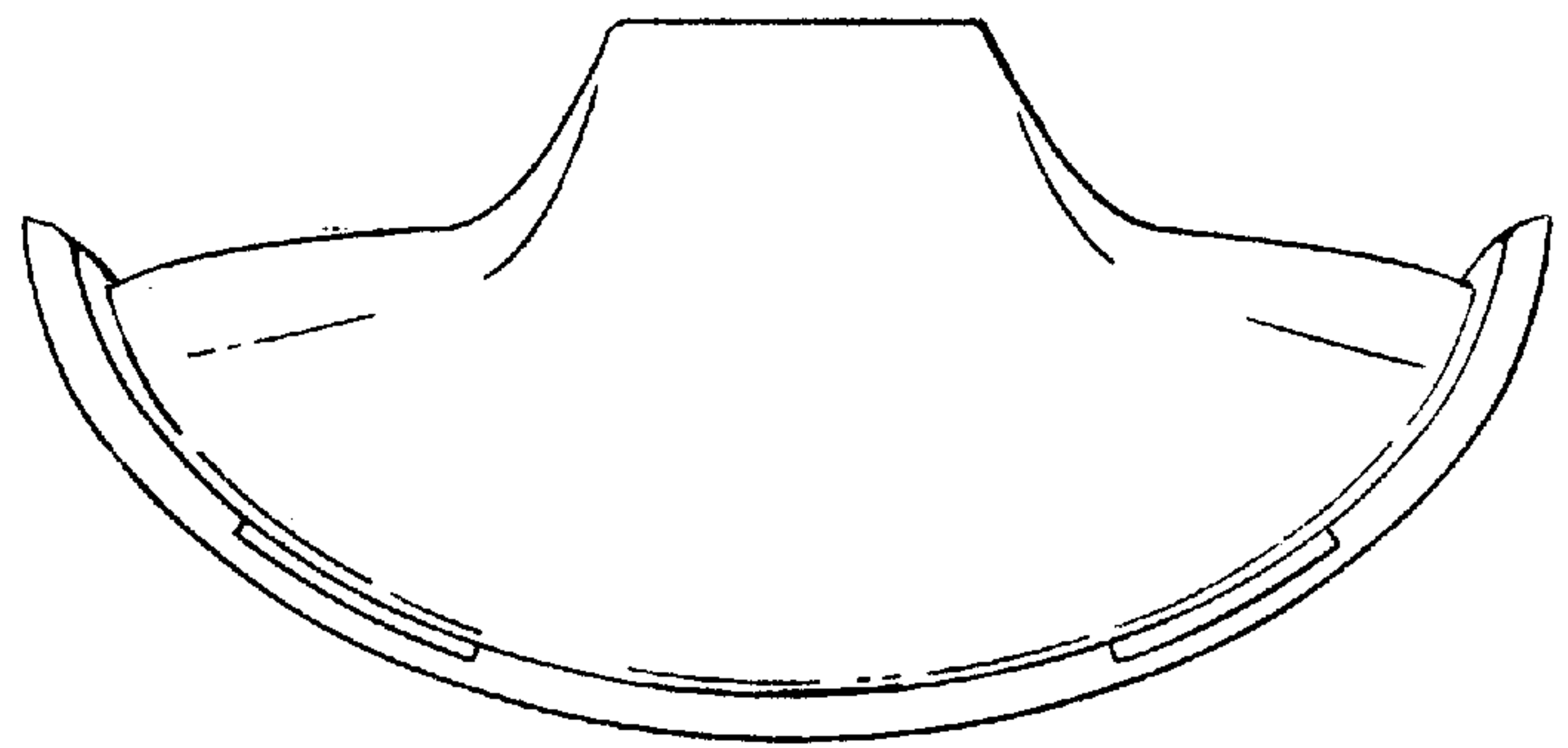


FIG. 6

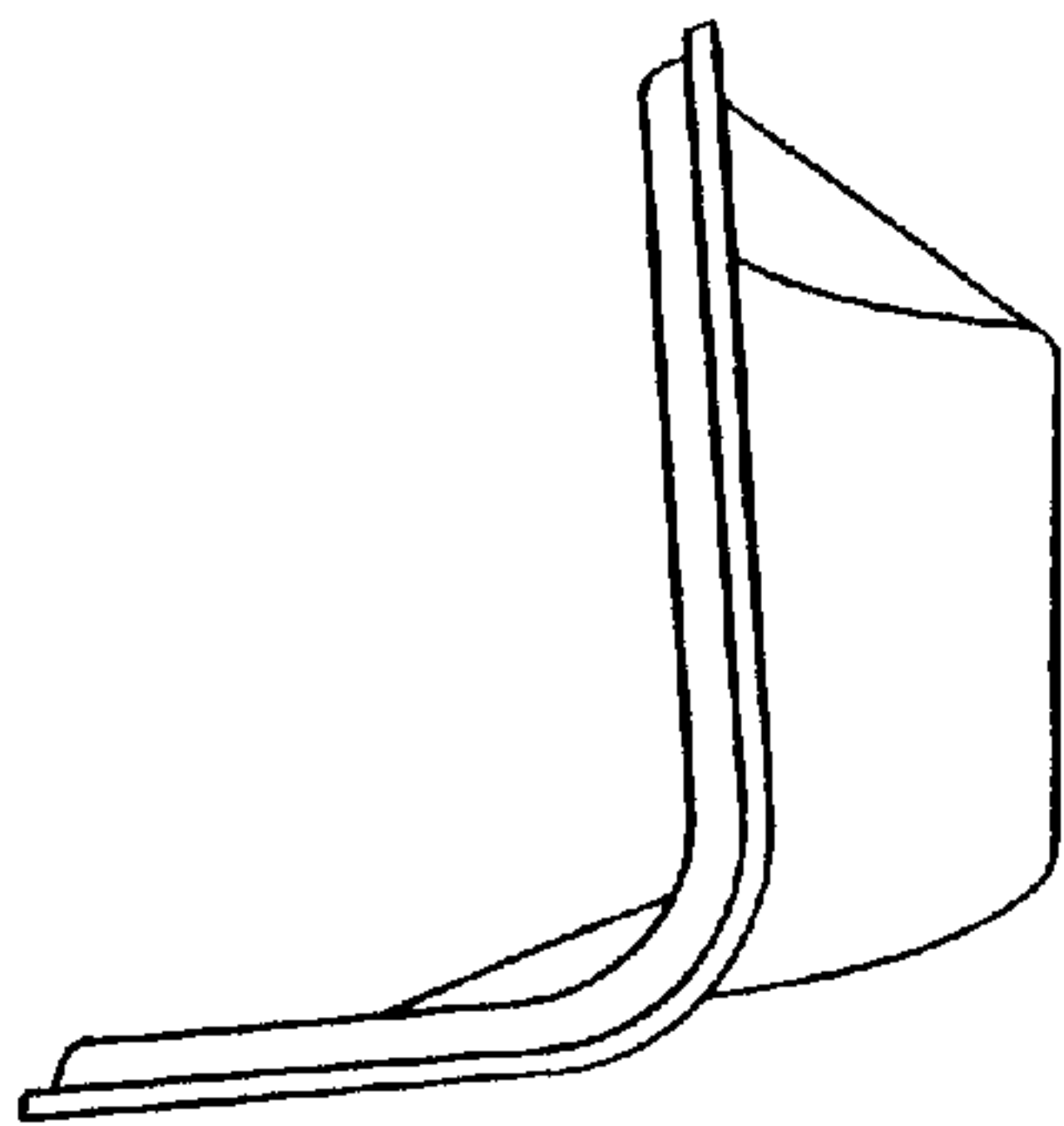


FIG. 3

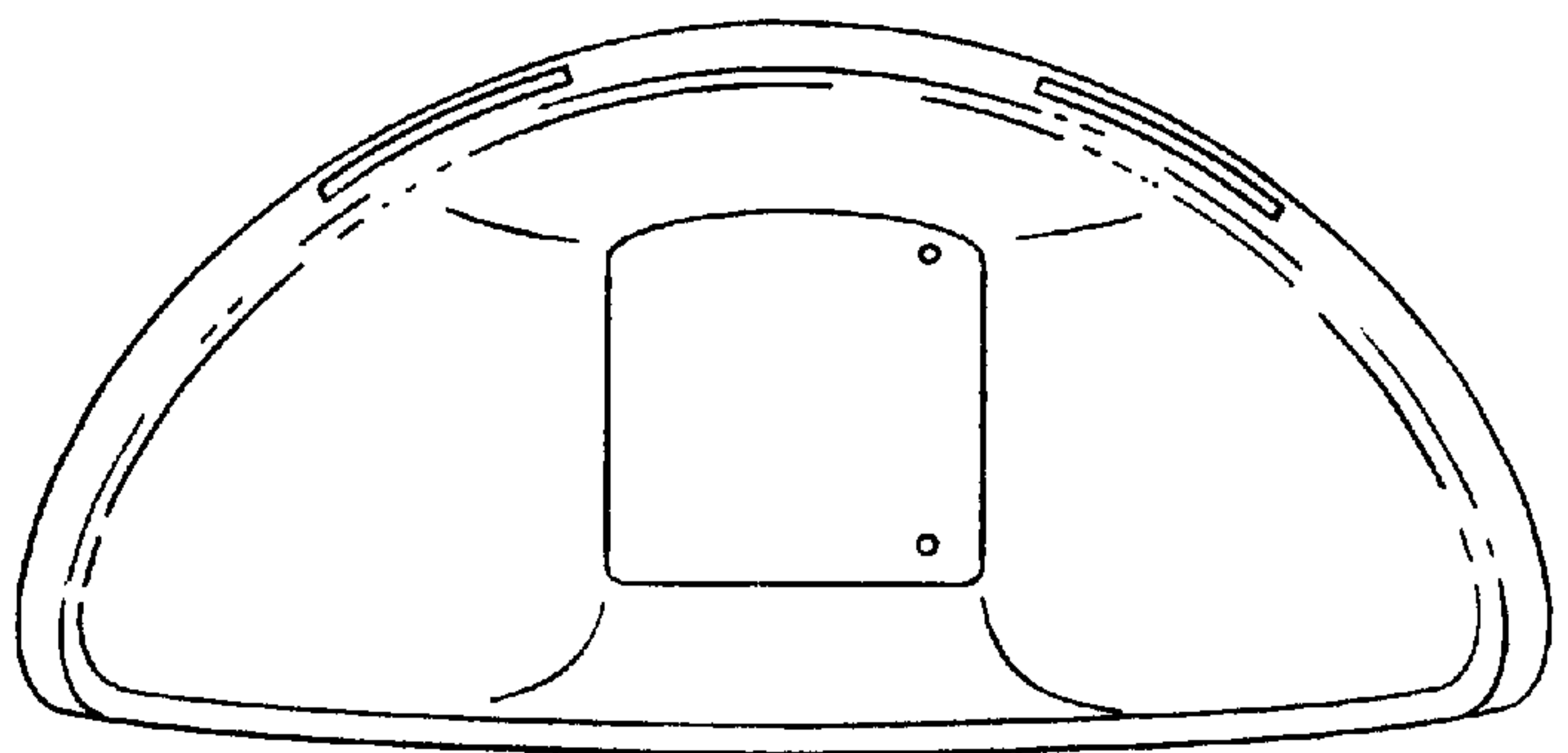


FIG. 2

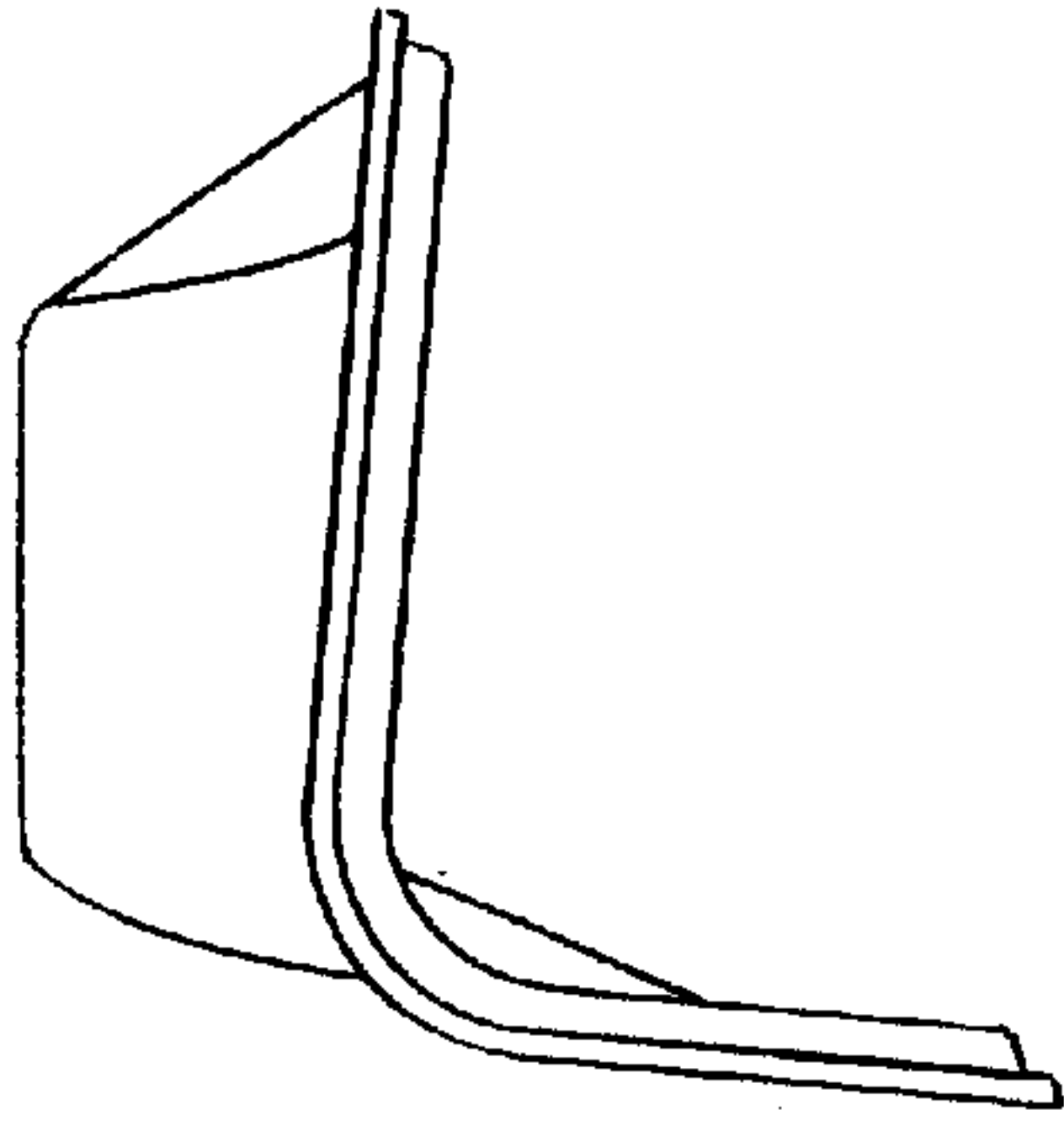


FIG. 5

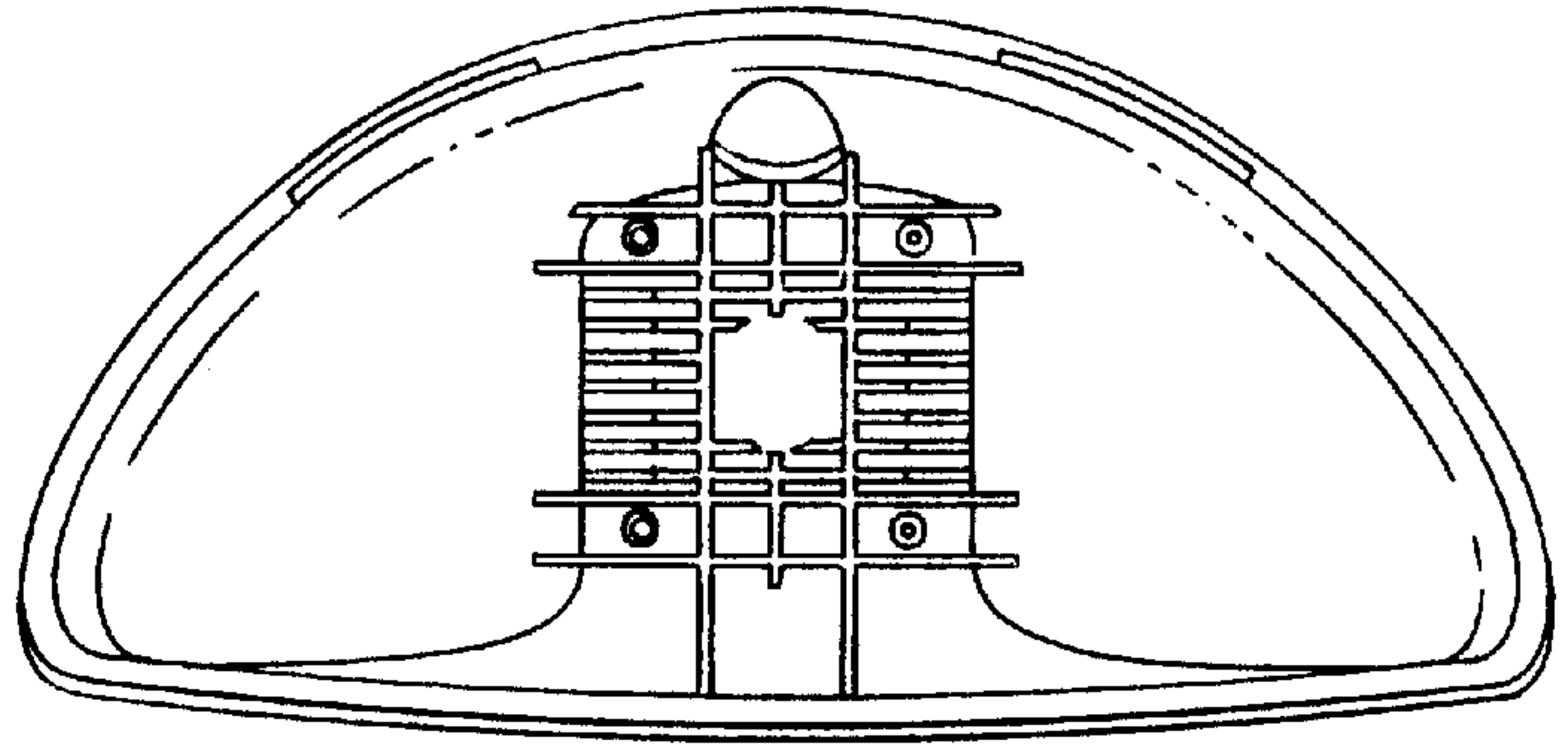


FIG. 4

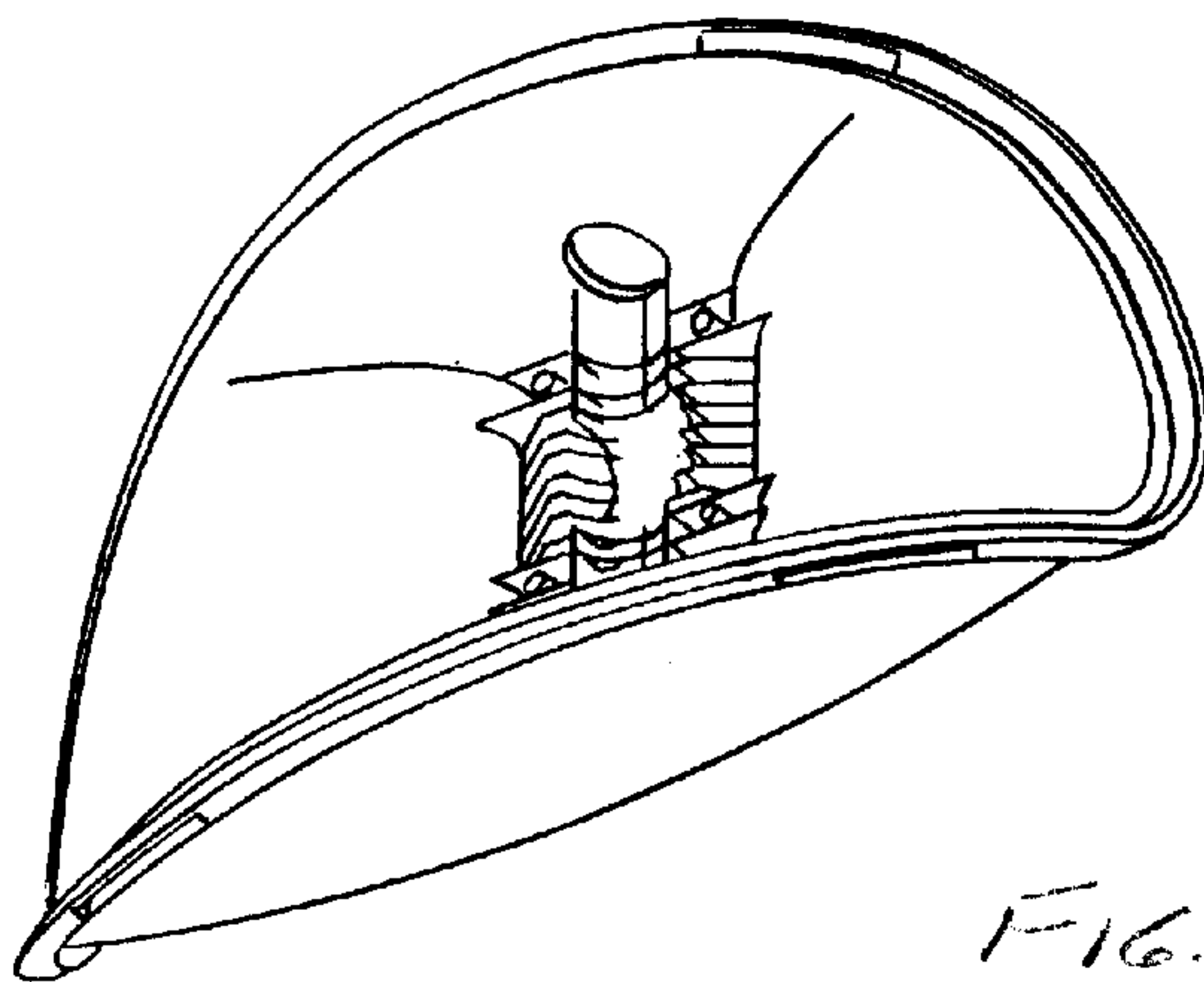


FIG. 7