



US00D468243S

(12) **United States Design Patent**  
**Iida**

(10) **Patent No.:** **US D468,243 S**

(45) **Date of Patent:** **\*\* Jan. 7, 2003**

(54) **SLIPPER CLIP FOR USE IN A DISC BRAKE**

5,467,848 A \* 11/1995 Knez ..... 188/73.45  
5,538,105 A \* 6/1996 Pike ..... 188/73.32

(75) **Inventor:** **Osamu Iida**, Granger, IN (US)

\* cited by examiner

(73) **Assignee:** **Robert Bosch Corporation**,  
Broadview, IL (US)

*Primary Examiner*—Melody N. Brown

(\*\*) **Term:** **14 Years**

(74) *Attorney, Agent, or Firm*—Leo H. McCormick, Jr.;  
Warren Comstock

(21) **Appl. No.:** **29/159,883**

(57) **CLAIM**

(22) **Filed:** **Apr. 30, 2002**

The ornamental design for a slipper clip for use in a disc brake, as shown and described.

(51) **LOC (7) Cl.** ..... **12-16**

(52) **U.S. Cl.** ..... **D12/180**

(58) **Field of Search** ..... D12/180; 180/73.31-73.34,  
180/73.43-73.45, 218 XL, 250 B, 250 G,  
264 AA, 264 G

**DESCRIPTION**

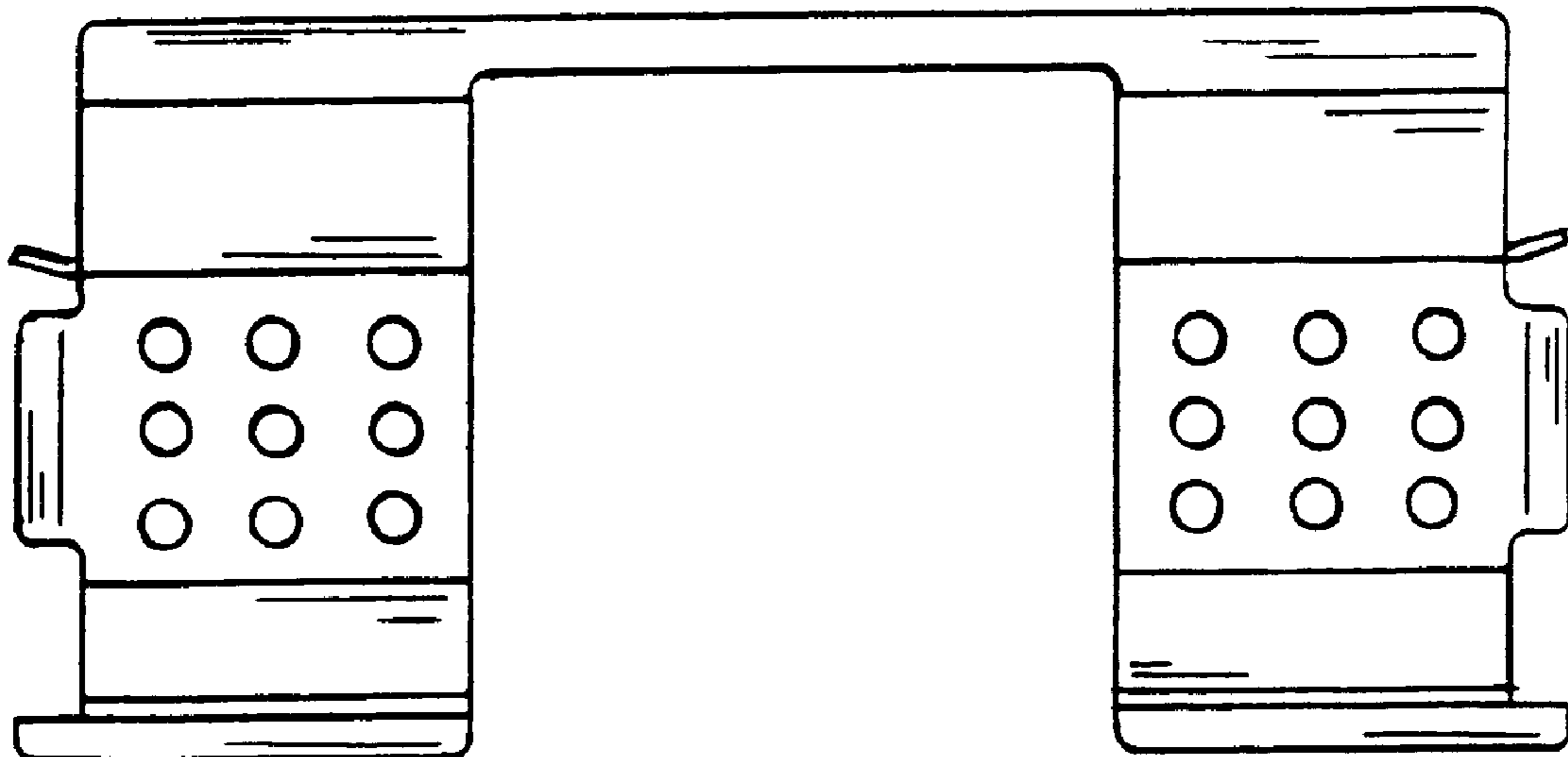
(56) **References Cited**

FIG. 1 is a front elevation view of a slipper clip for use in a disc brake showing my new design;  
FIG. 2 is a side elevation view thereof; and,  
FIG. 3 is a perspective view thereof.

**U.S. PATENT DOCUMENTS**

D357,663 S \* 4/1995 Evans ..... D12/180

**1 Claim, 1 Drawing Sheet**



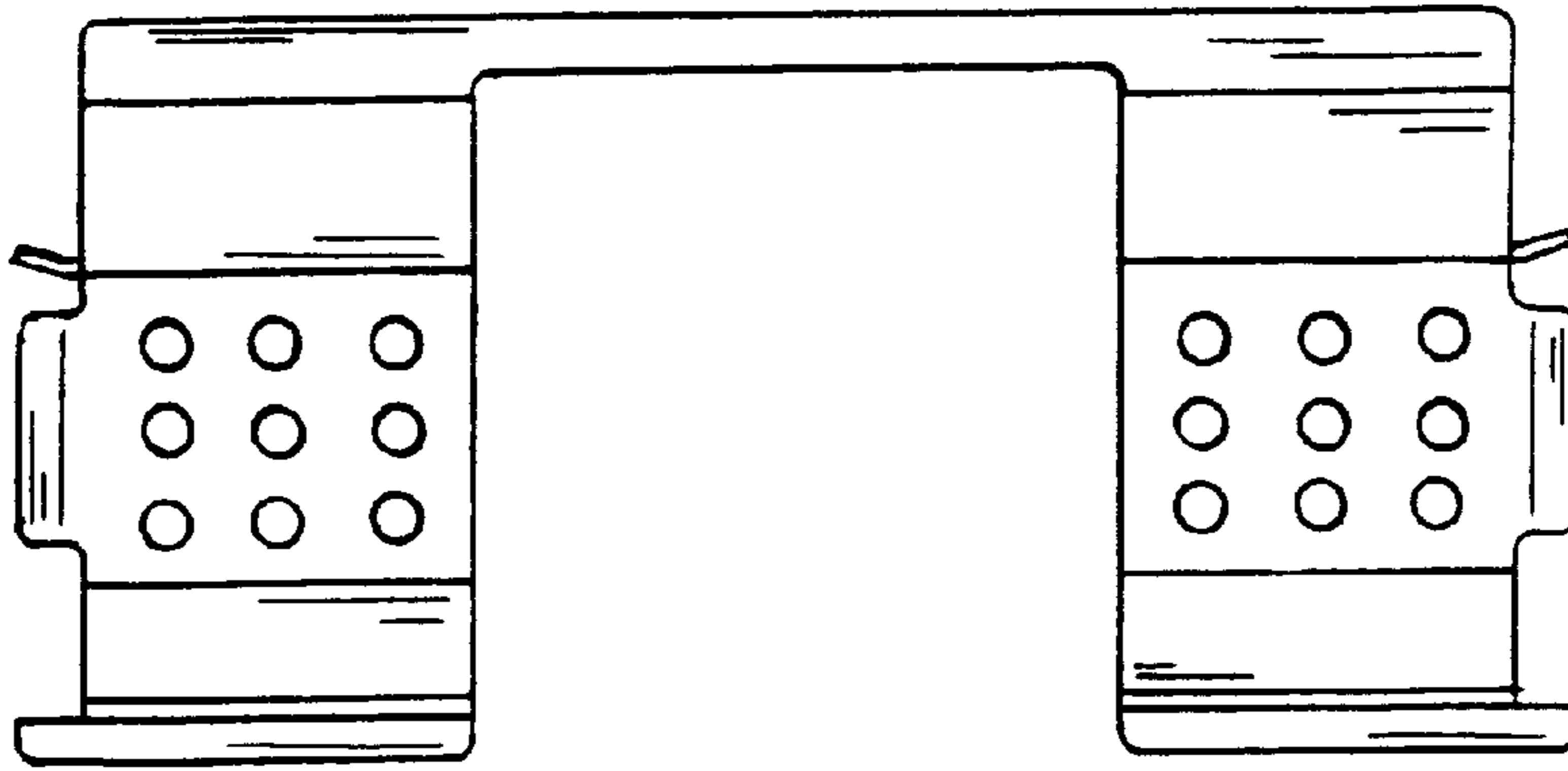


Figure 1

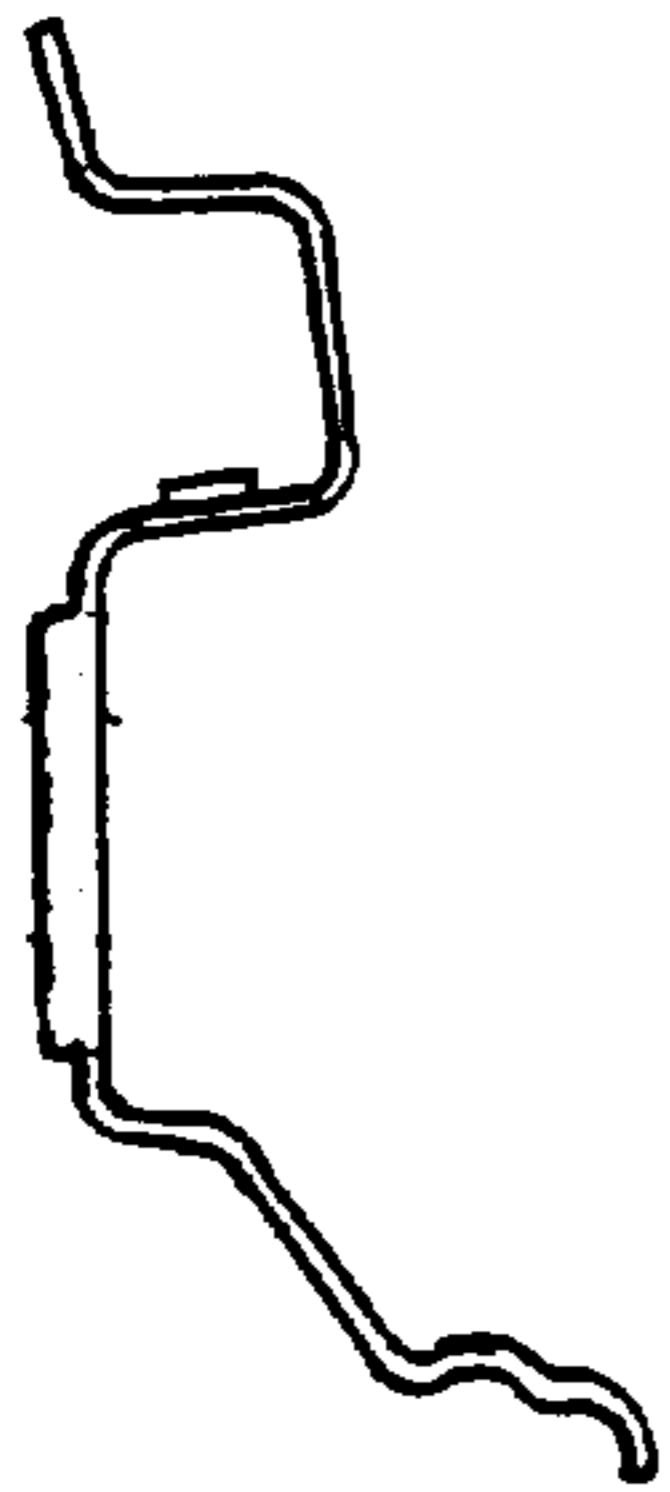


Figure 2

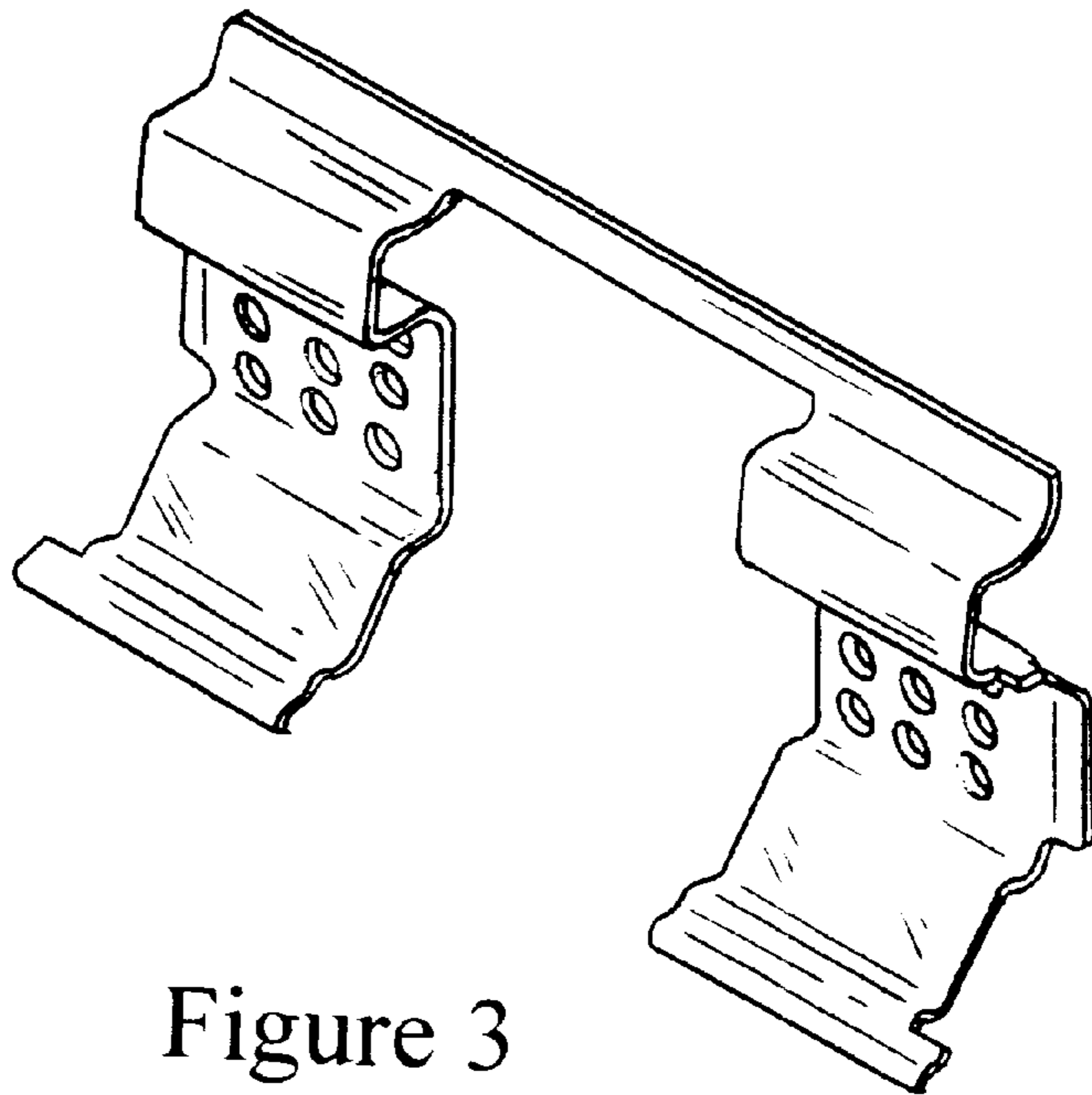


Figure 3