



US00D468242S

(12) **United States Design Patent**
Iida

(10) **Patent No.:** **US D468,242 S**

(45) **Date of Patent:** **** Jan. 7, 2003**

(54) **SLIPPER CLIP FOR USE IN A DISC BRAKE**

5,467,848 A * 11/1995 Krez 188/73.45
5,538,105 A * 7/1996 Rike 188/73.32

(75) **Inventor:** **Osamu Iida**, Granger, IN (US)

* cited by examiner

(73) **Assignee:** **Robert Bosch Corporation**,
Broadview, IL (US)

Primary Examiner—Melody N. Brown

(**) **Term:** **14 Years**

(74) *Attorney, Agent, or Firm*—Leo H McCormick, Jr.;
Warren Comstock

(21) **Appl. No.:** **29/159,882**

(57) **CLAIM**

(22) **Filed:** **Apr. 30, 2002**

The ornamental design for a slipper clip for use in a disc brake, as shown and described.

(51) **LOC (7) Cl.** **12-16**

(52) **U.S. Cl.** **D12/180**

DESCRIPTION

(58) **Field of Search** D12/180; 180/73.31-73.34,
180/73.45, 218 XL, 250 B, 250 G, 264 AA,
264 G

FIG. 1 is a front elevation view of a slipper clip for use in a disc brake showing my new design;

FIG. 2 is a side elevation view thereof; and,

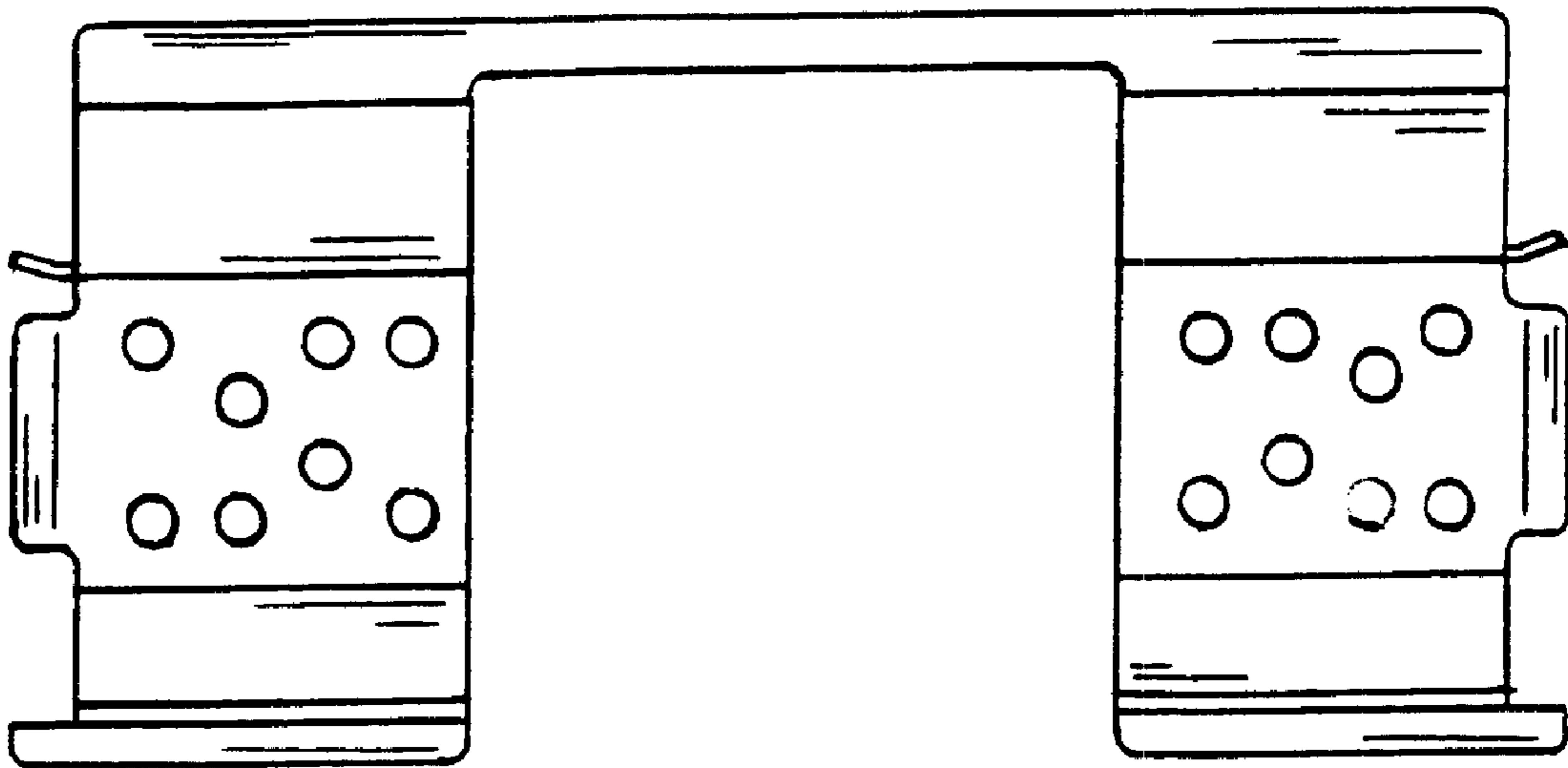
FIG. 3 is a perspective view thereof.

(56) **References Cited**

U.S. PATENT DOCUMENTS

D357,663 S * 4/1995 Evans D12/180

1 Claim, 1 Drawing Sheet



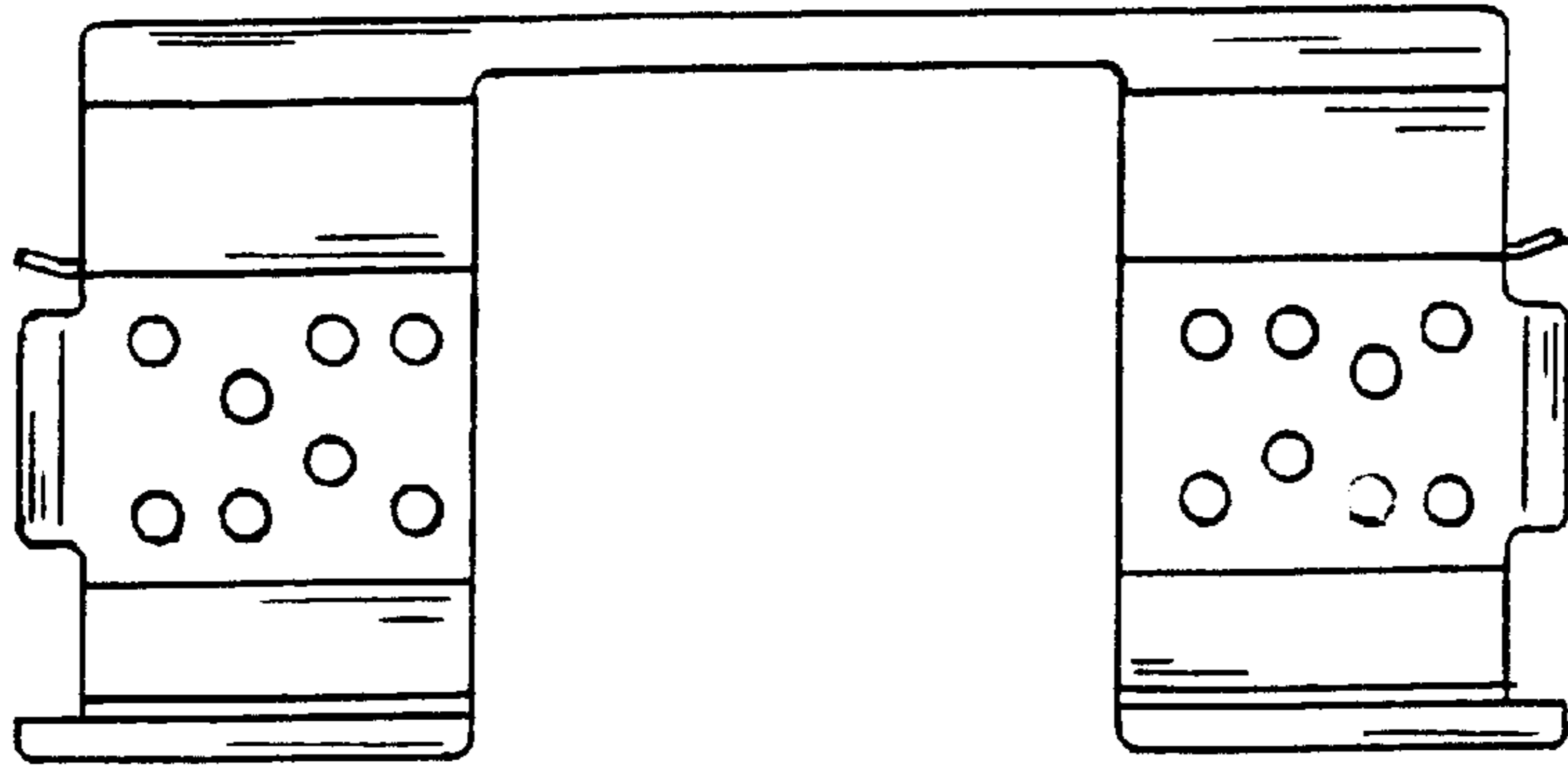


Figure 1

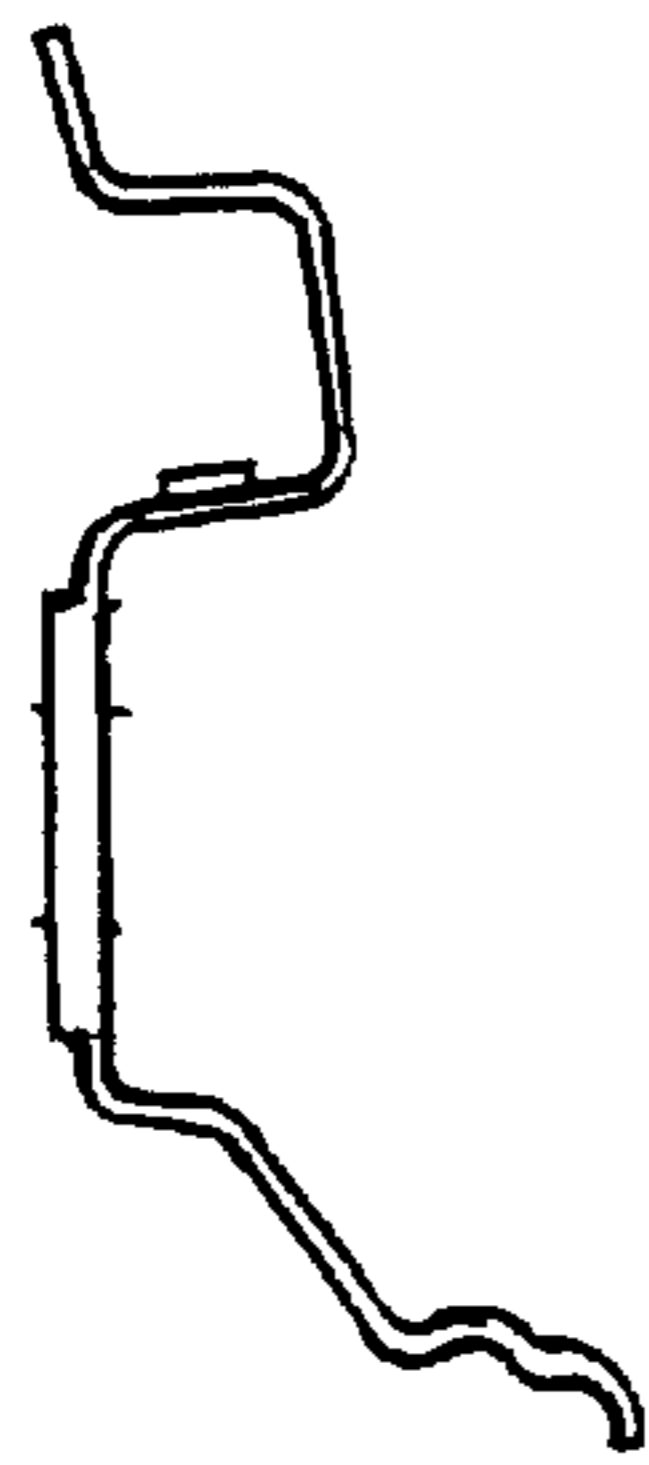


Figure 2

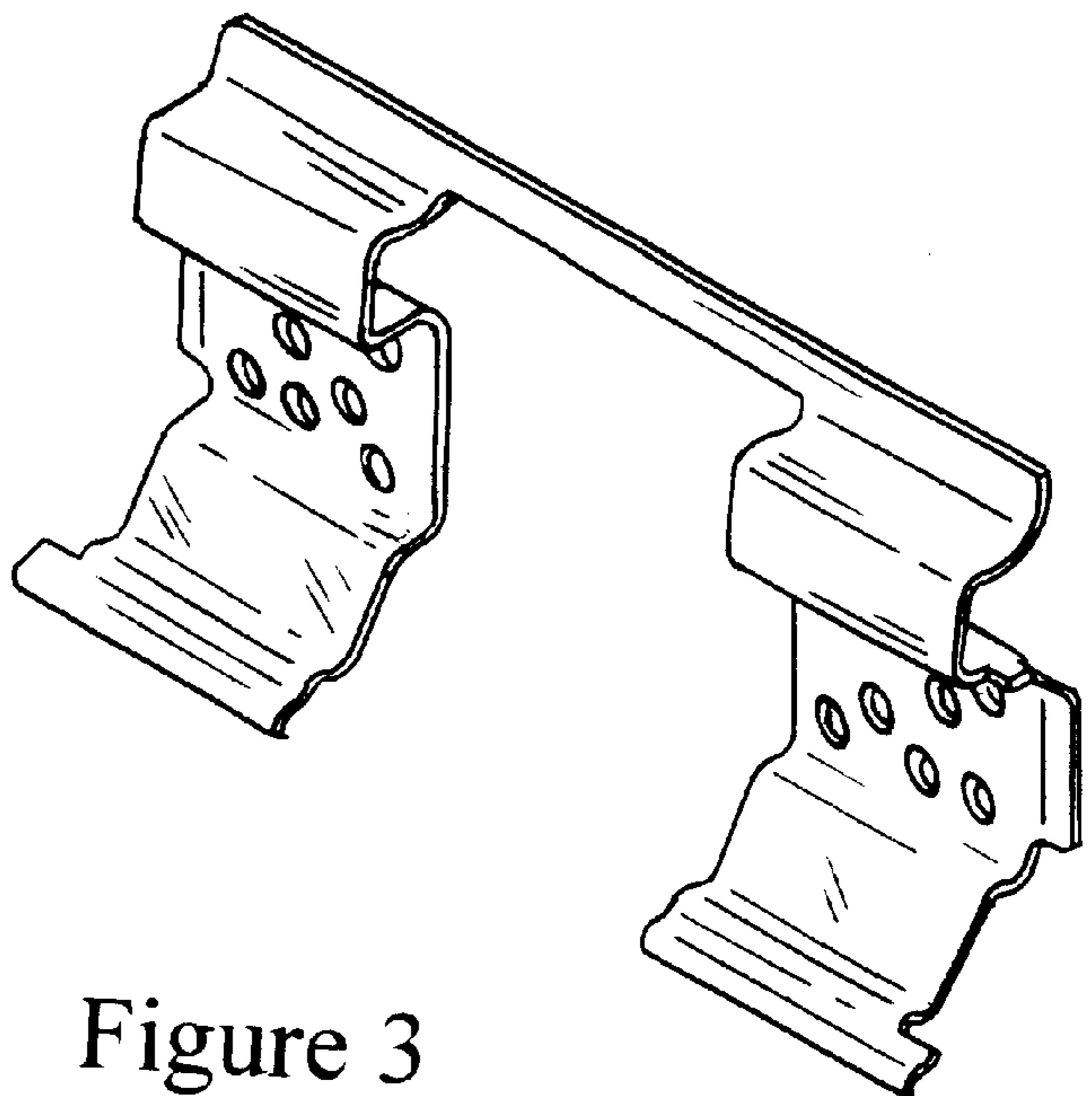


Figure 3