



US00D468240S

(12) **United States Design Patent**  
**Lee**

(10) **Patent No.:** **US D468,240 S**

(45) **Date of Patent:** **\*\* Jan. 7, 2003**

(54) **ELECTRIC MEDICAL SCOOTER**

D444,422 S \* 7/2001 Cheng ..... D12/131  
D460,028 S \* 7/2002 Wu et al. .... D12/128

(75) Inventor: **Cheng-Liang Lee**, Tainan (TW)

\* cited by examiner

(73) Assignee: **Mount-Channel Mfg. Co., Ltd.**, Tainan (TW)

*Primary Examiner*—Marcus A. Jackson  
(74) *Attorney, Agent, or Firm*—Bacon & Thomas, PLLC

(\*\*) Term: **14 Years**

(57) **CLAIM**

(21) Appl. No.: **29/160,415**

The ornamental design for an electric medical scooter, as shown and described.

(22) Filed: **May 13, 2002**

**DESCRIPTION**

(51) **LOC (7) Cl.** ..... **12-12**

(52) **U.S. Cl.** ..... **D12/131**

(58) **Field of Search** ..... D12/128-133;  
180/65.1, 27.11, 208, 907, 908; 297/DIG. 4

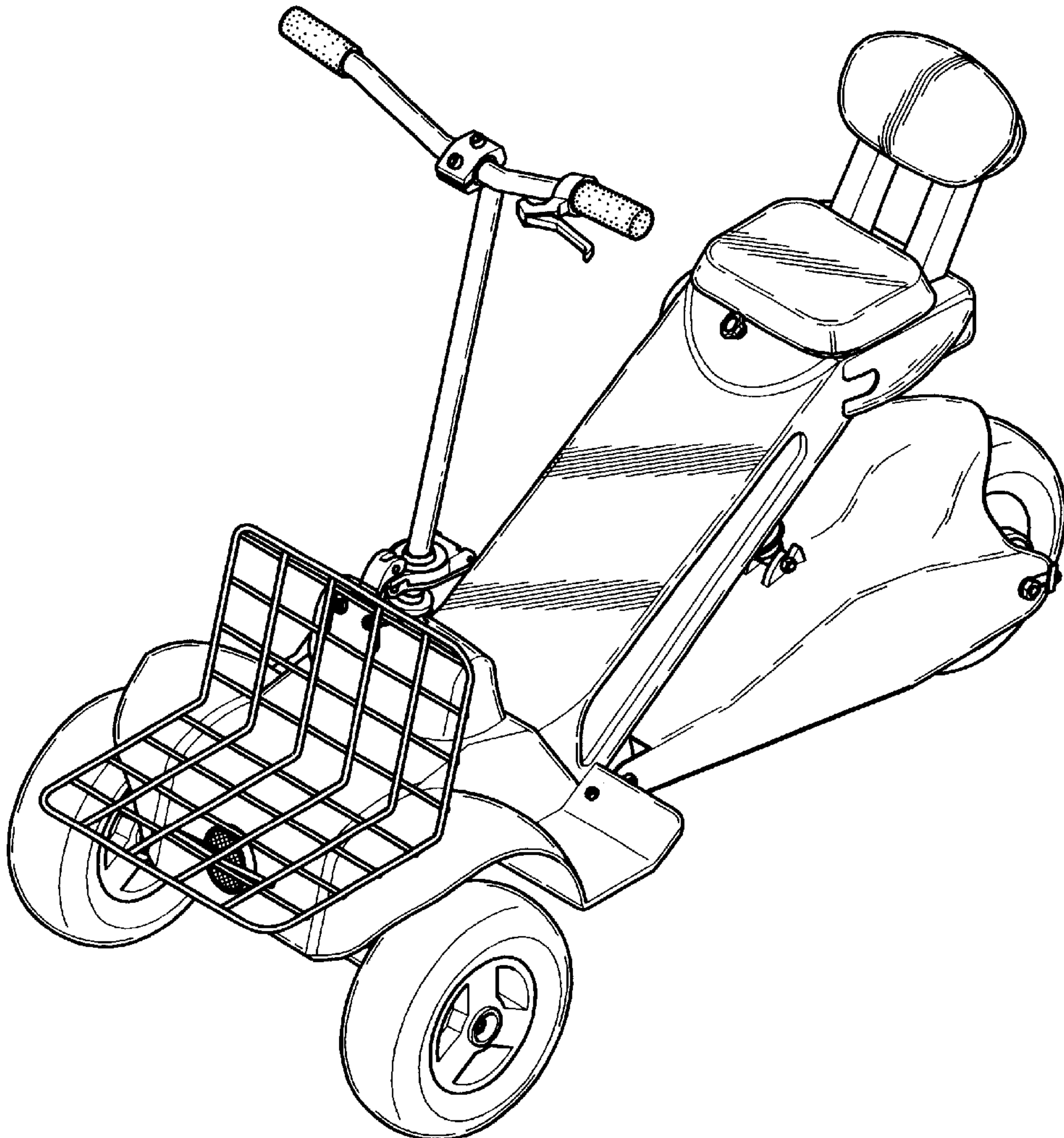
FIG. 1 is a perspective view of an electric medical scooter showing my new design;  
FIG. 2 is a right side elevational view thereof;  
FIG. 3 is a top plan view thereof;  
FIG. 4 is a front elevational view thereof;  
FIG. 5 is a bottom plan view thereof;  
FIG. 6 is a left side elevational view thereof; and,  
FIG. 7 is a rear elevational view.

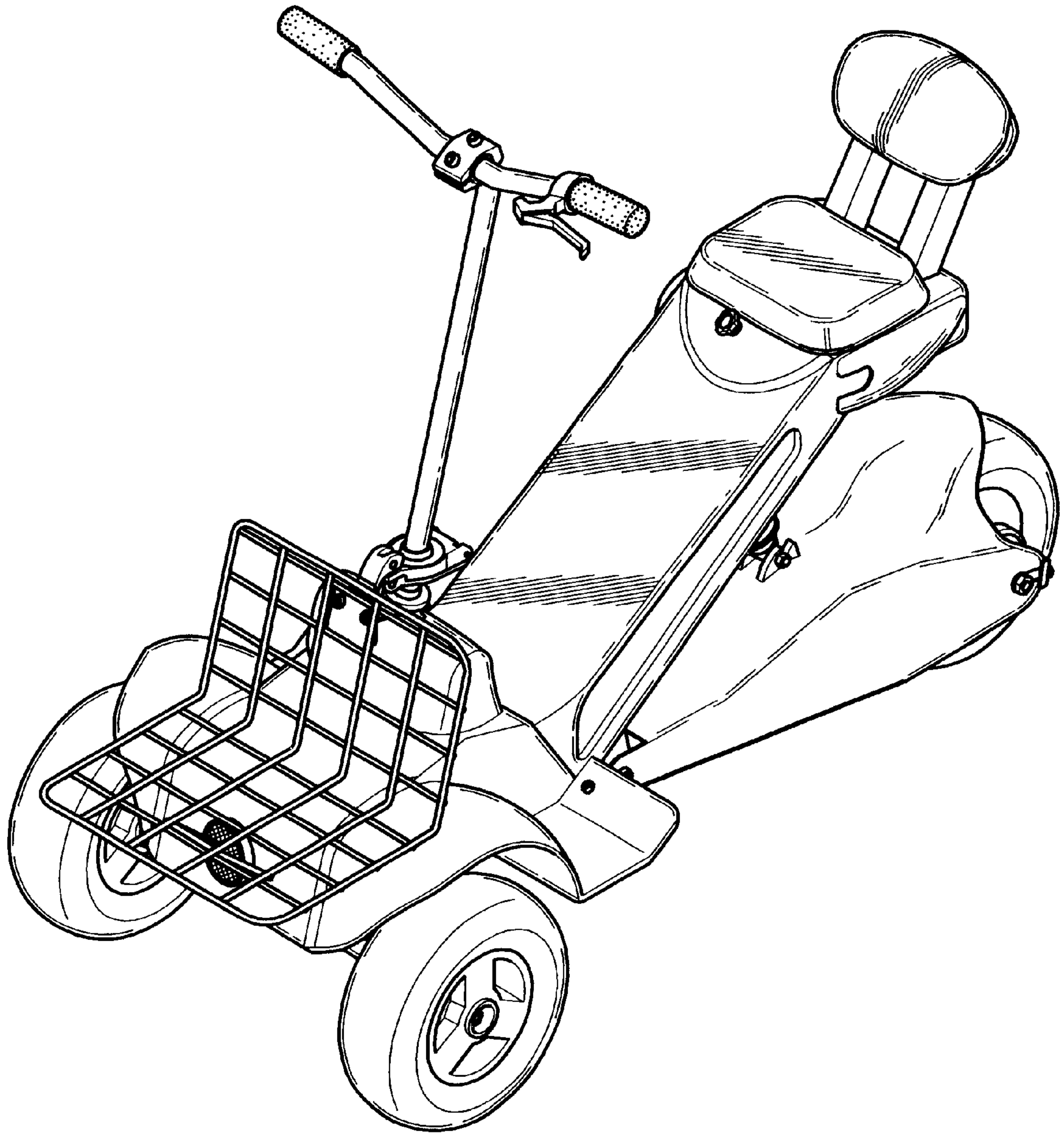
(56) **References Cited**

**U.S. PATENT DOCUMENTS**

D380,180 S \* 6/1997 Lo ..... D12/129  
D403,279 S \* 12/1998 Wu ..... D12/131  
D409,121 S \* 5/1999 Imai et al. .... D12/131

**1 Claim, 4 Drawing Sheets**





*FIG. 1*

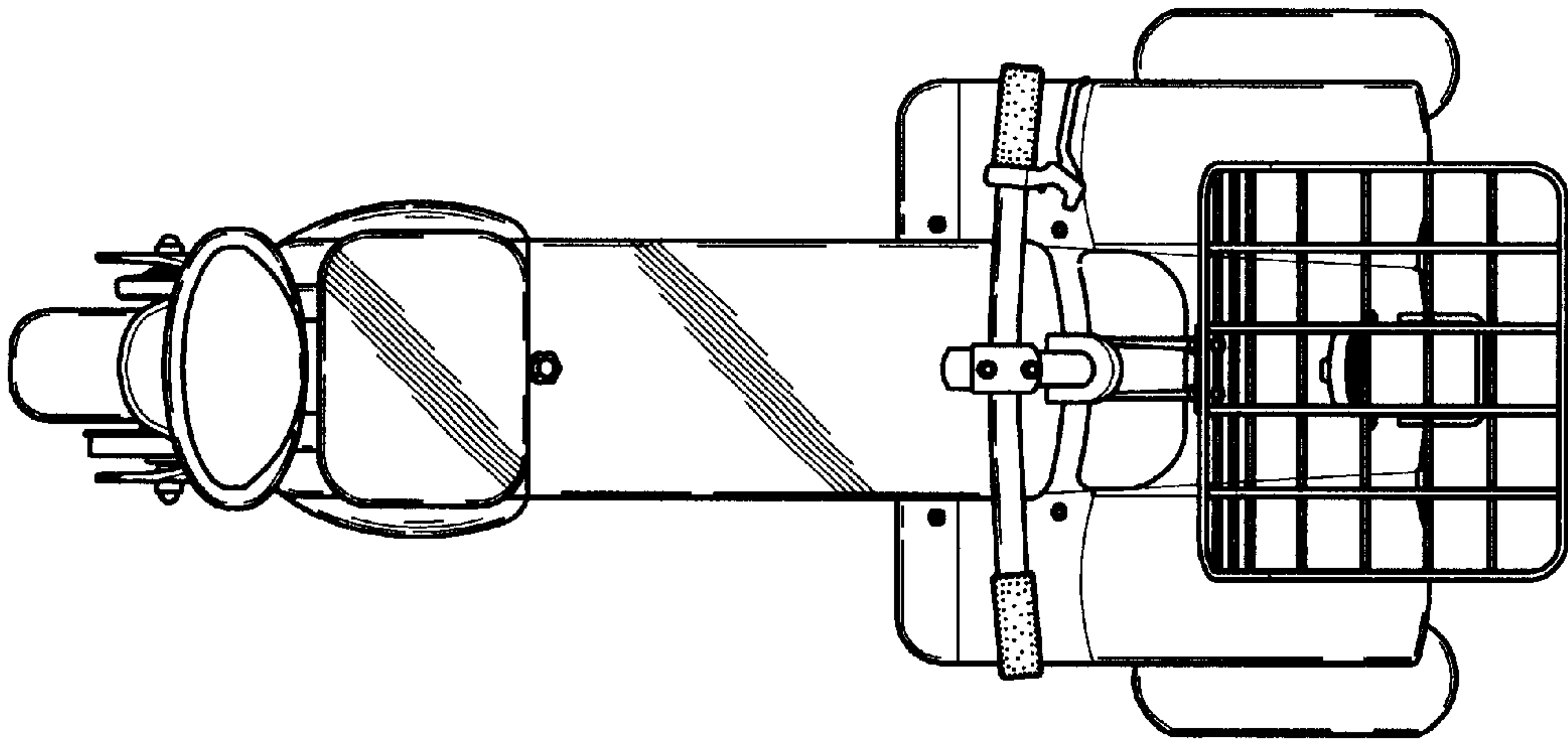


FIG. 3

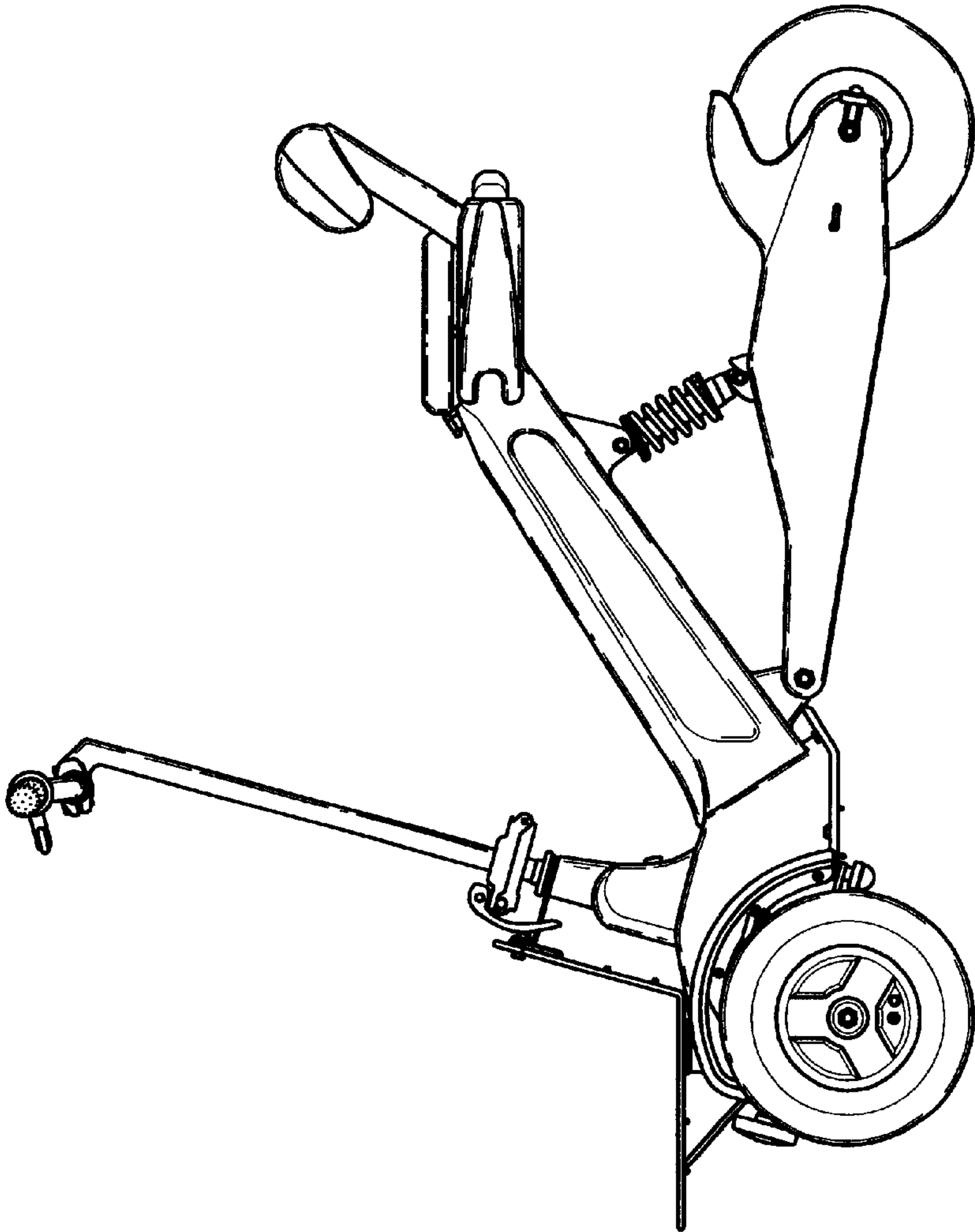
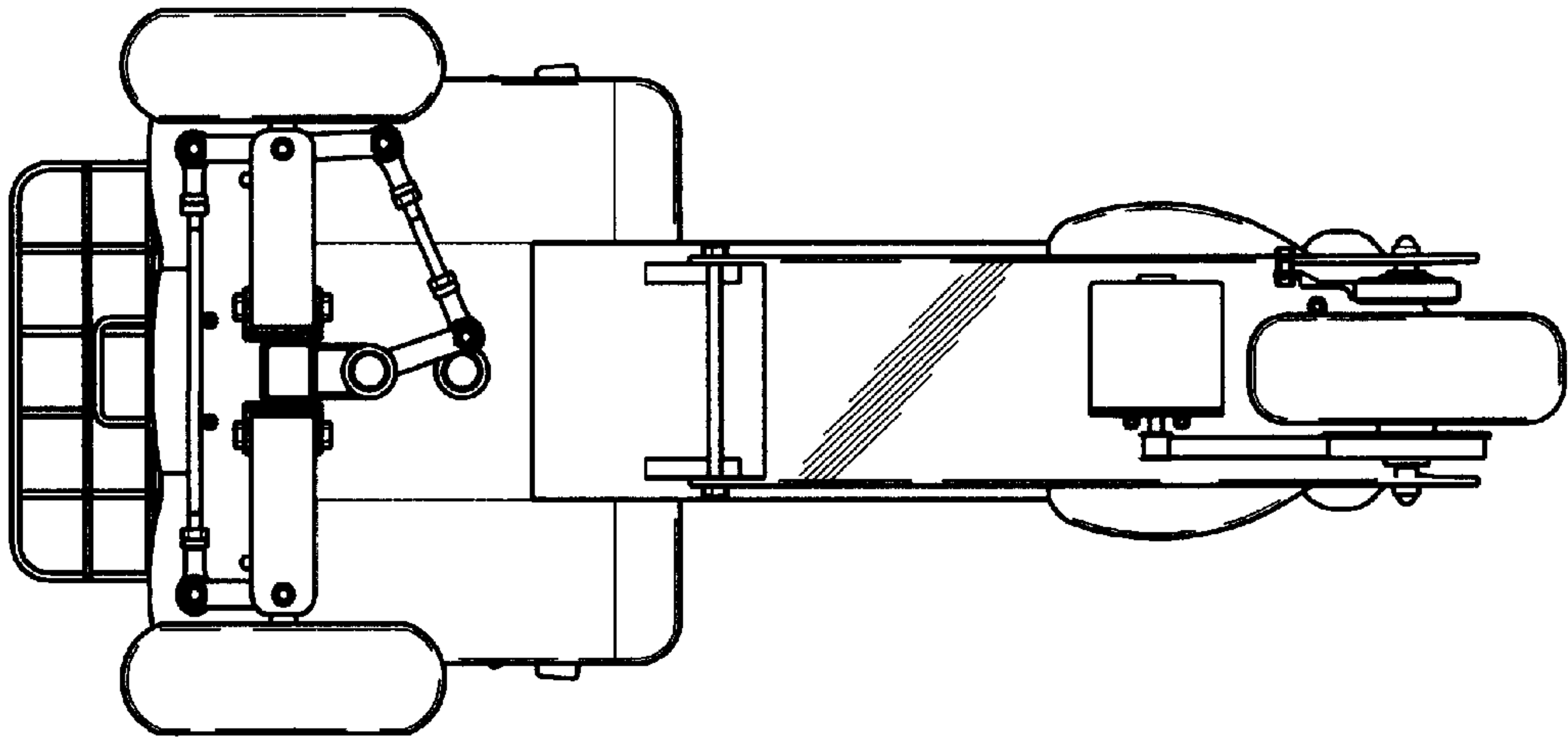
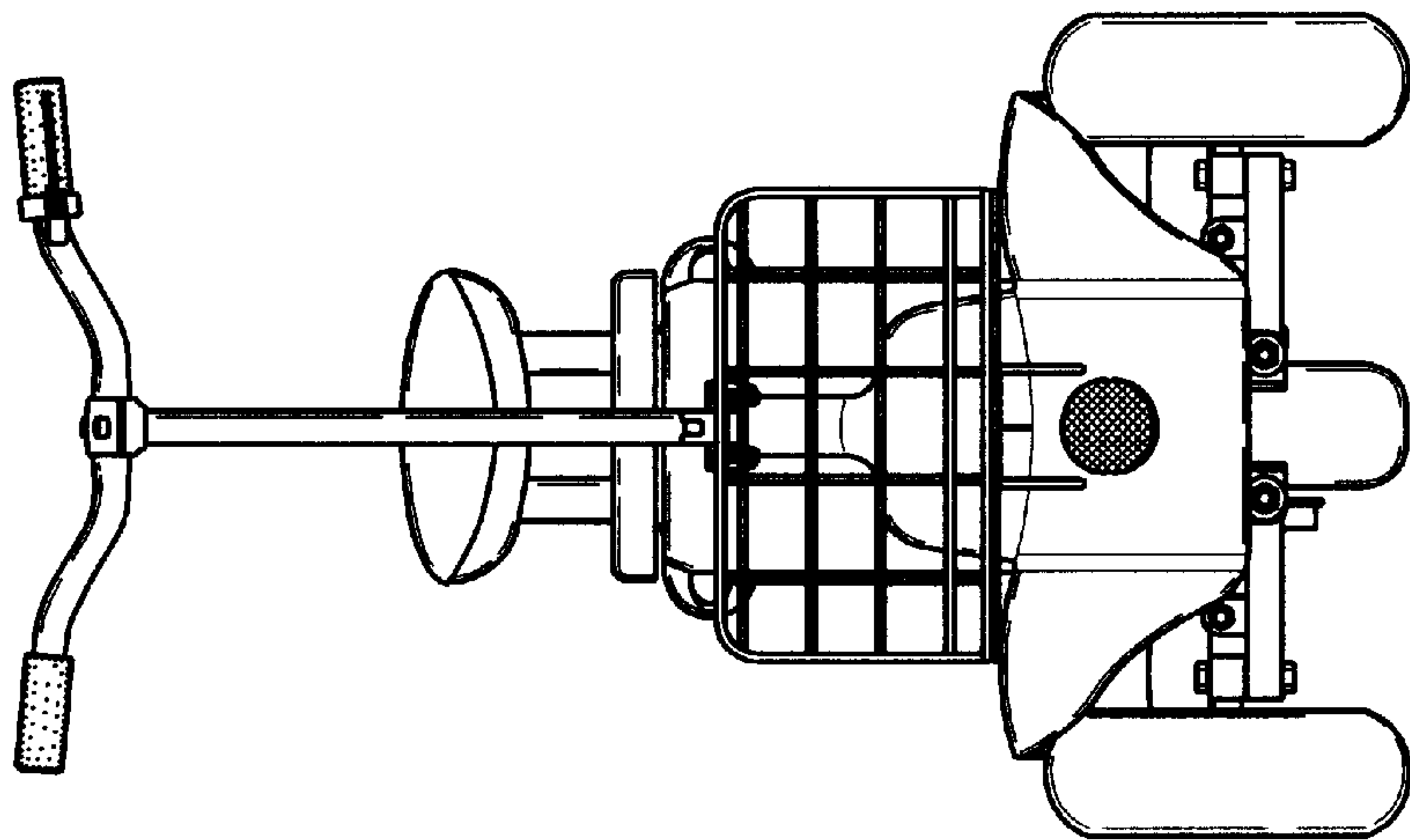


FIG. 2





*FIG. 5*



*FIG. 4*

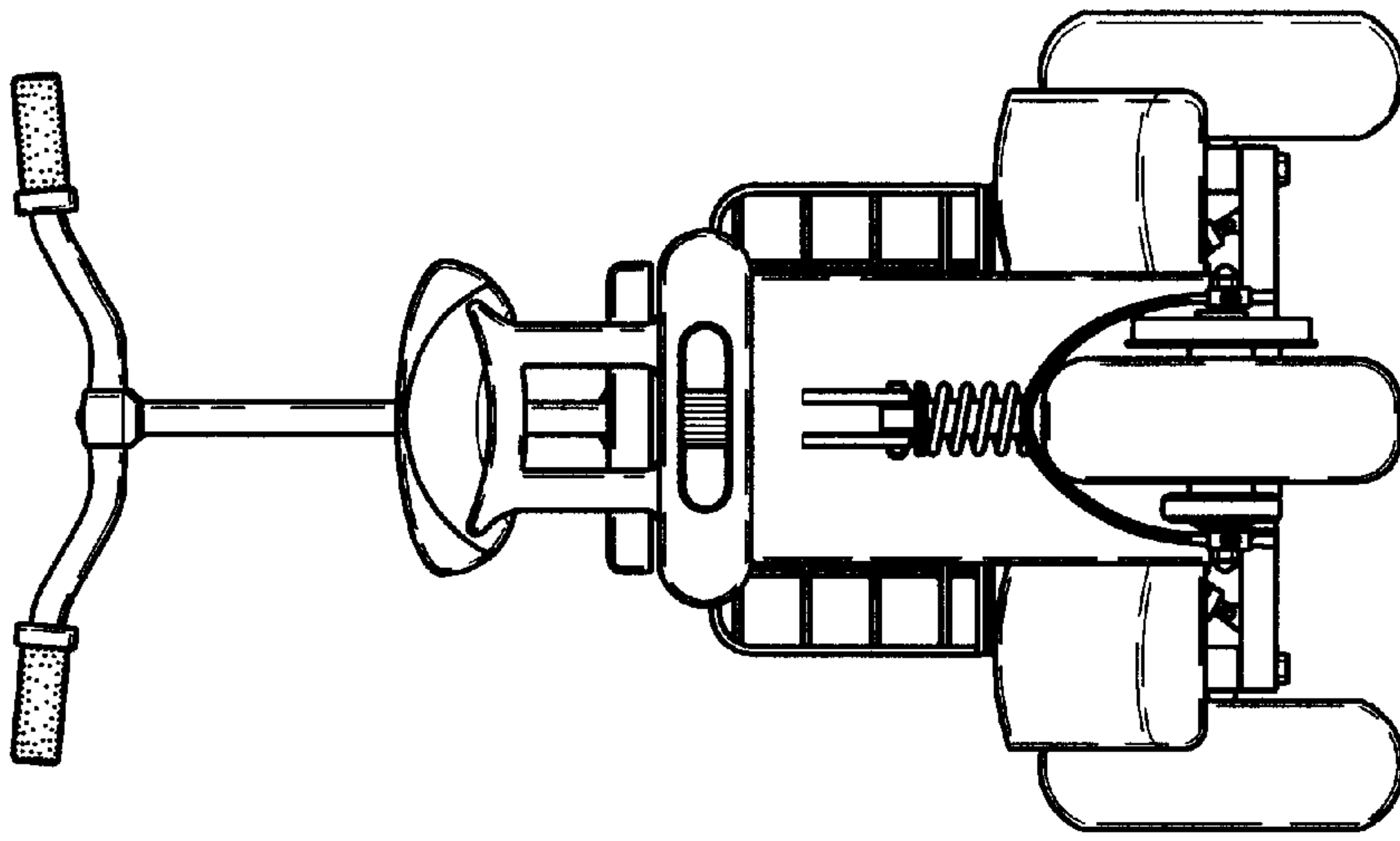


FIG. 7

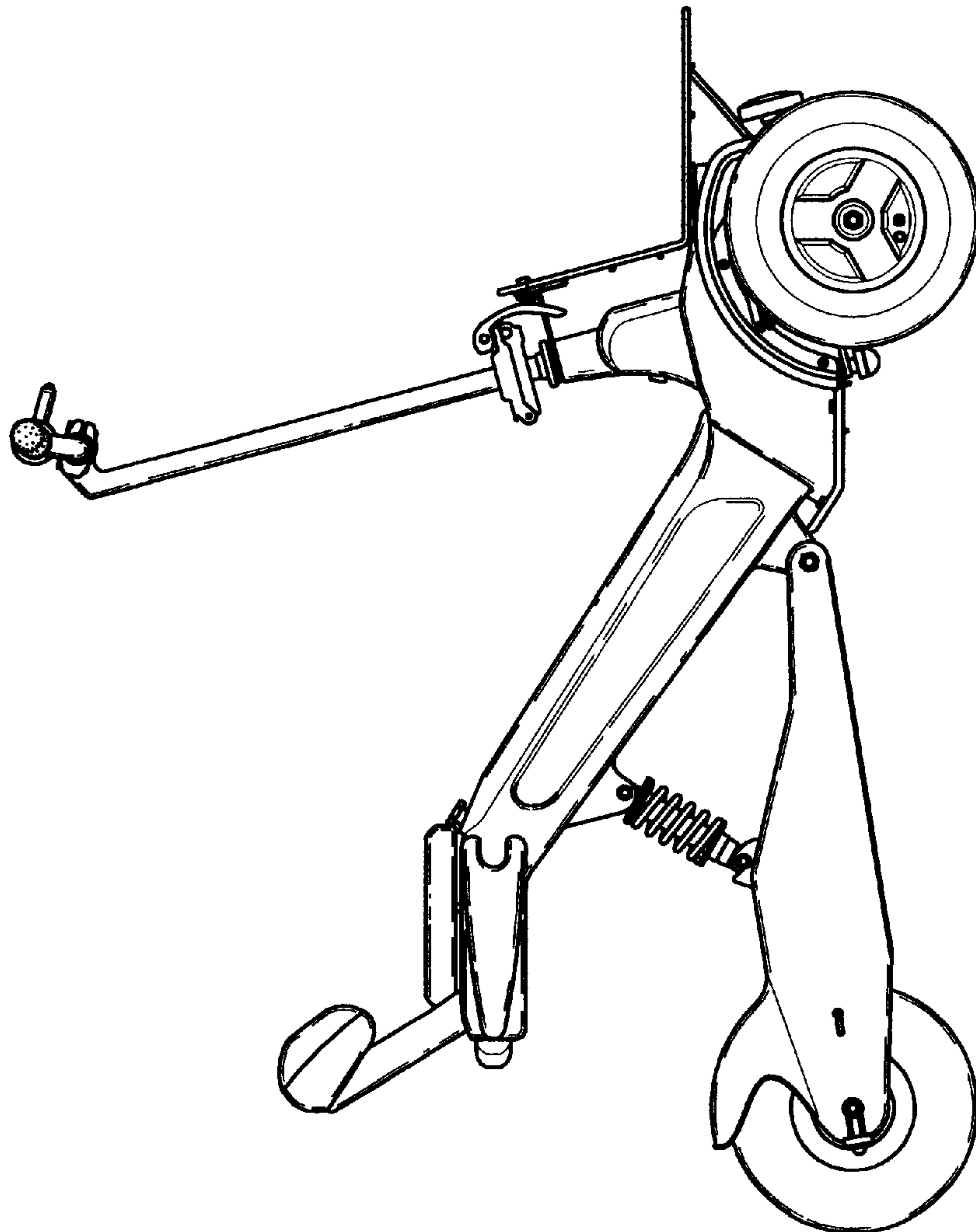


FIG. 6