



US00D468235S

(12) **United States Design Patent**
Yamazaki

(10) **Patent No.:** **US D468,235 S**

(45) **Date of Patent:** **** Jan. 7, 2003**

(54) **BALL TOY**

(75) **Inventor:** **Tomohiro Yamazaki, Katsushika-ku (JP)**

(73) **Assignee:** **Tomy Company, Ltd., Tokyo (JP)**

(**) **Term:** **14 Years**

(21) **Appl. No.:** **29/142,013**

(22) **Filed:** **May 18, 2001**

(30) **Foreign Application Priority Data**

Nov. 20, 2000 (JP) 2000-033140

(51) **LOC (7) Cl.** **21-01**

(52) **U.S. Cl.** **D11/398; D11/406; D11/713; D11/714**

(58) **Field of Search** **D21/398, 406, D21/713, 714; 473/596; 446/397, 491**

(56) **References Cited**

U.S. PATENT DOCUMENTS

D61,805 S * 1/1923 Griffiths D21/714
2,115,926 A * 5/1938 Hatton 473/596

D142,394 S * 9/1945 Fisk et al. D21/714
D211,594 S * 7/1968 Ostrander D21/714
D241,869 S * 10/1976 Hilprecht D21/713
D274,070 S * 5/1984 Ma D21/714
D375,986 S * 11/1996 Wilkinson et al. D21/713
D414,534 S * 9/1999 Takahashi D21/713
6,093,077 A * 7/2000 Spector 473/596
D433,084 S * 10/2000 Hart D21/713

* cited by examiner

Primary Examiner—Dominic Simone

(74) *Attorney, Agent, or Firm*—Oliff & Berridge, PLC

(57) **CLAIM**

The ornamental design for ball toy, as shown and described.

DESCRIPTION

FIG. 1 is a front perspective view of a ball toy;
FIG. 2 is a front view thereof;
FIG. 3 is a rear view thereof;
FIG. 4 is a top view thereof;
FIG. 5 is a bottom view thereof;
FIG. 6 is a left-side view thereof; and,
FIG. 7 is a right-side view thereof.

1 Claim, 3 Drawing Sheets



FIG. 1



FIG. 2

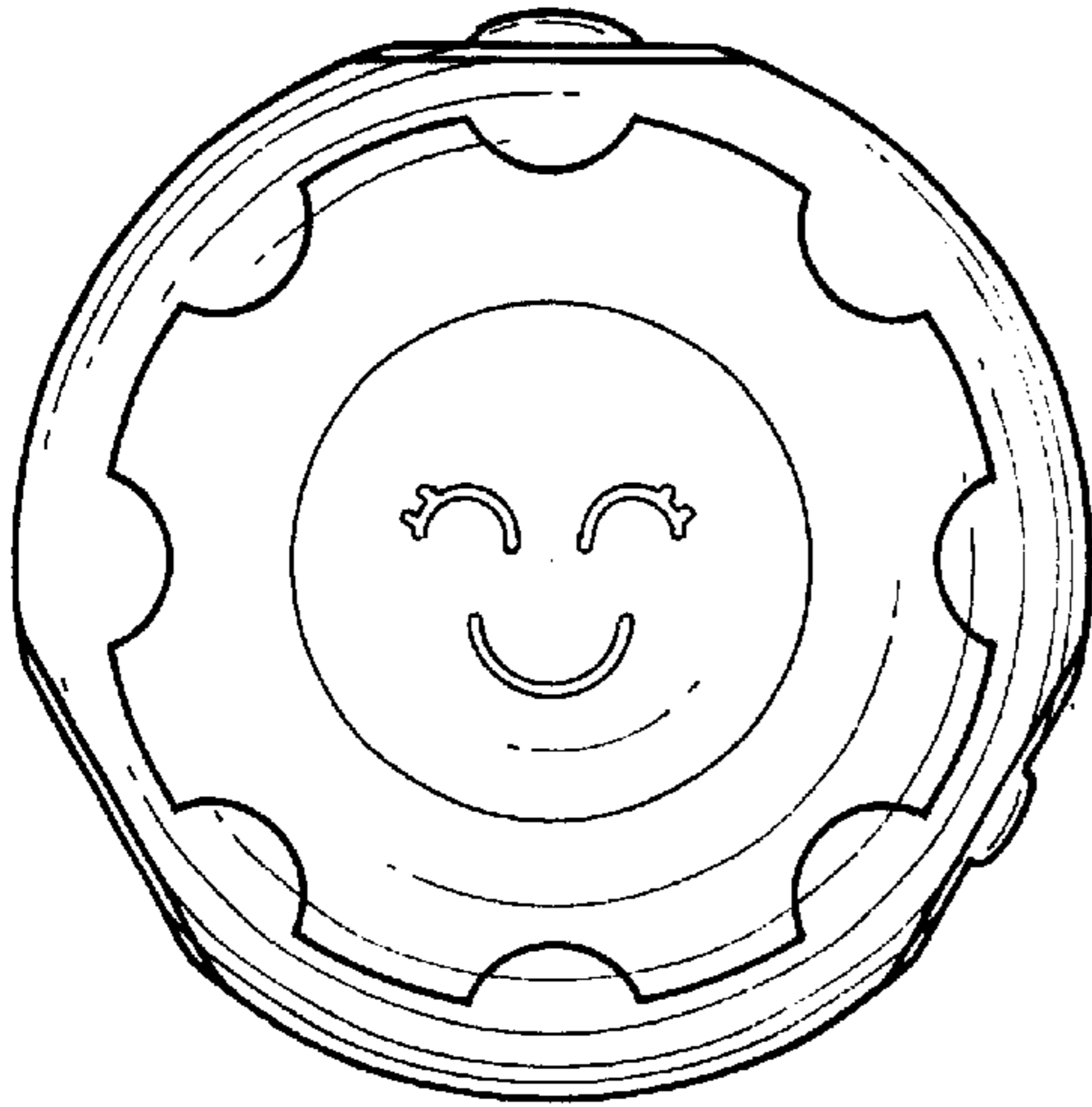


FIG. 3

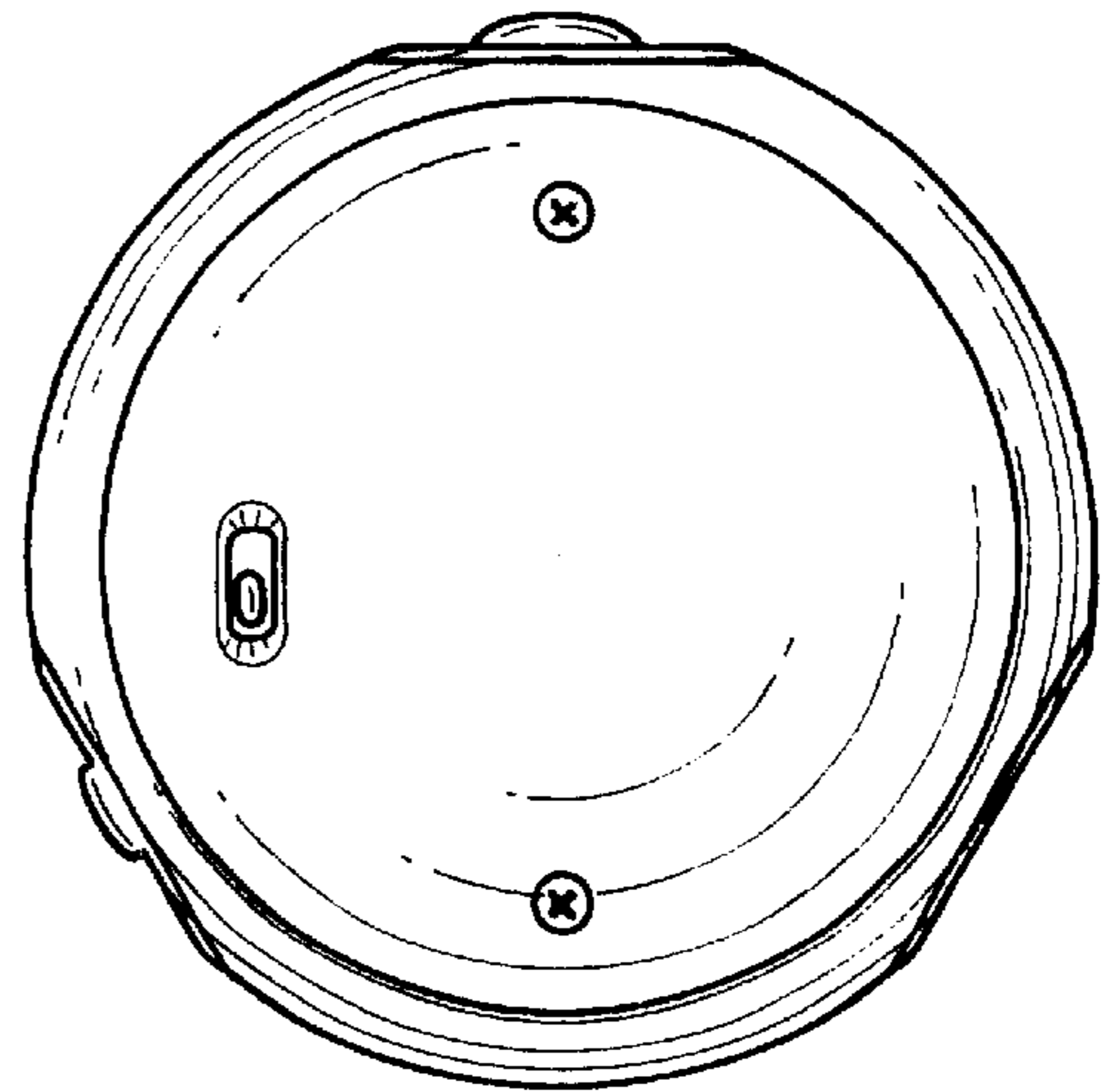


FIG. 4

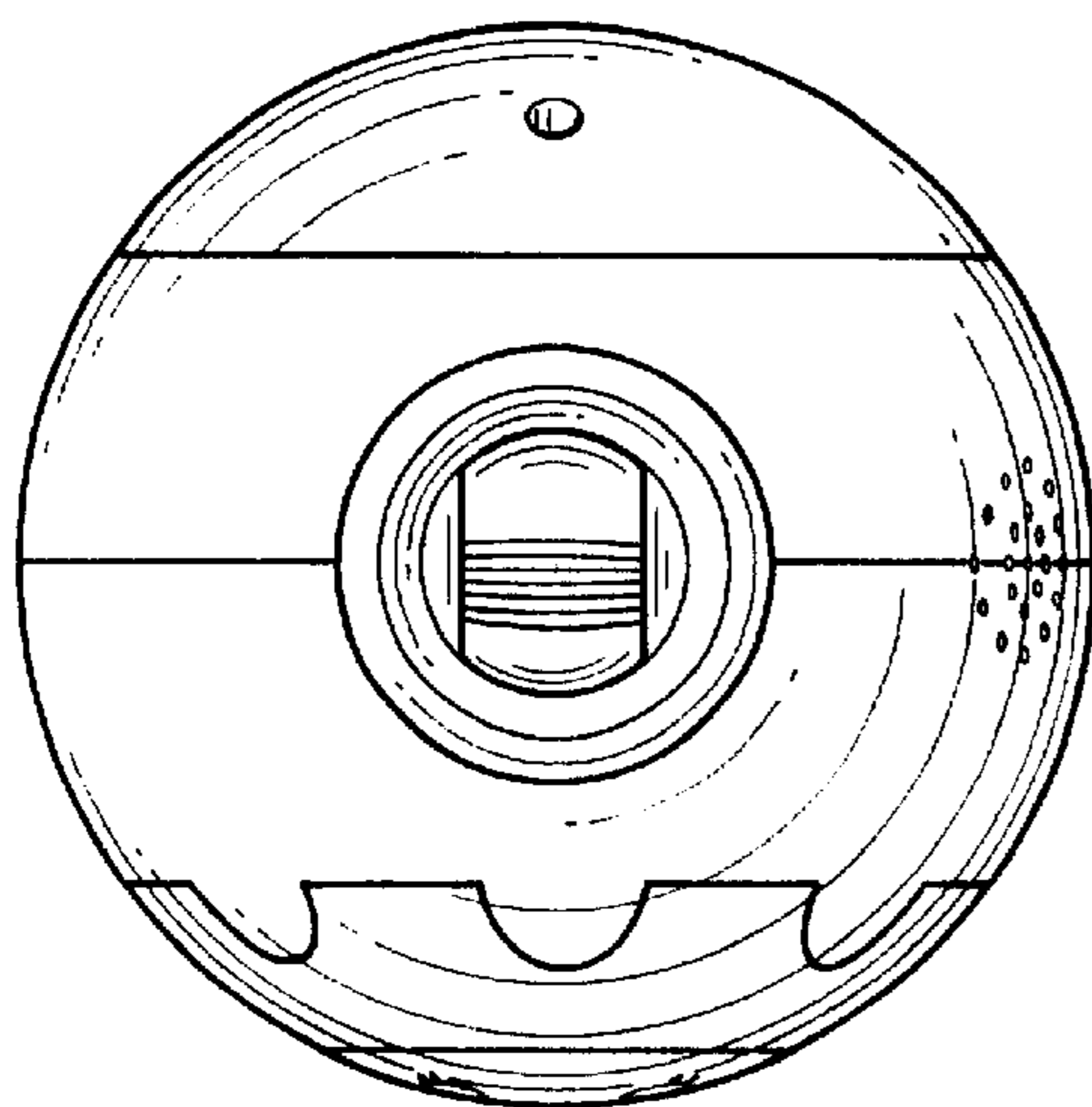


FIG. 5

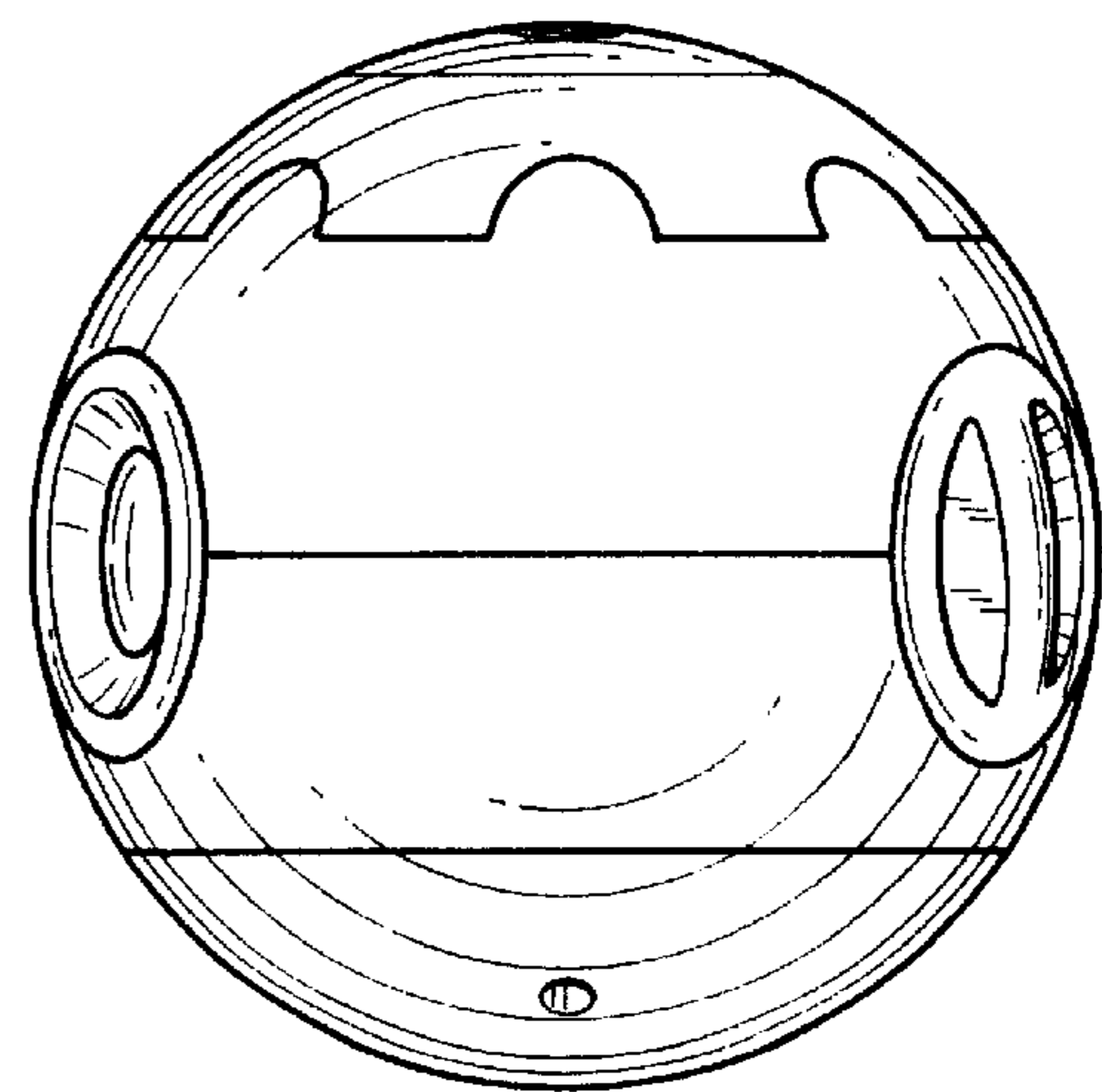


FIG. 6

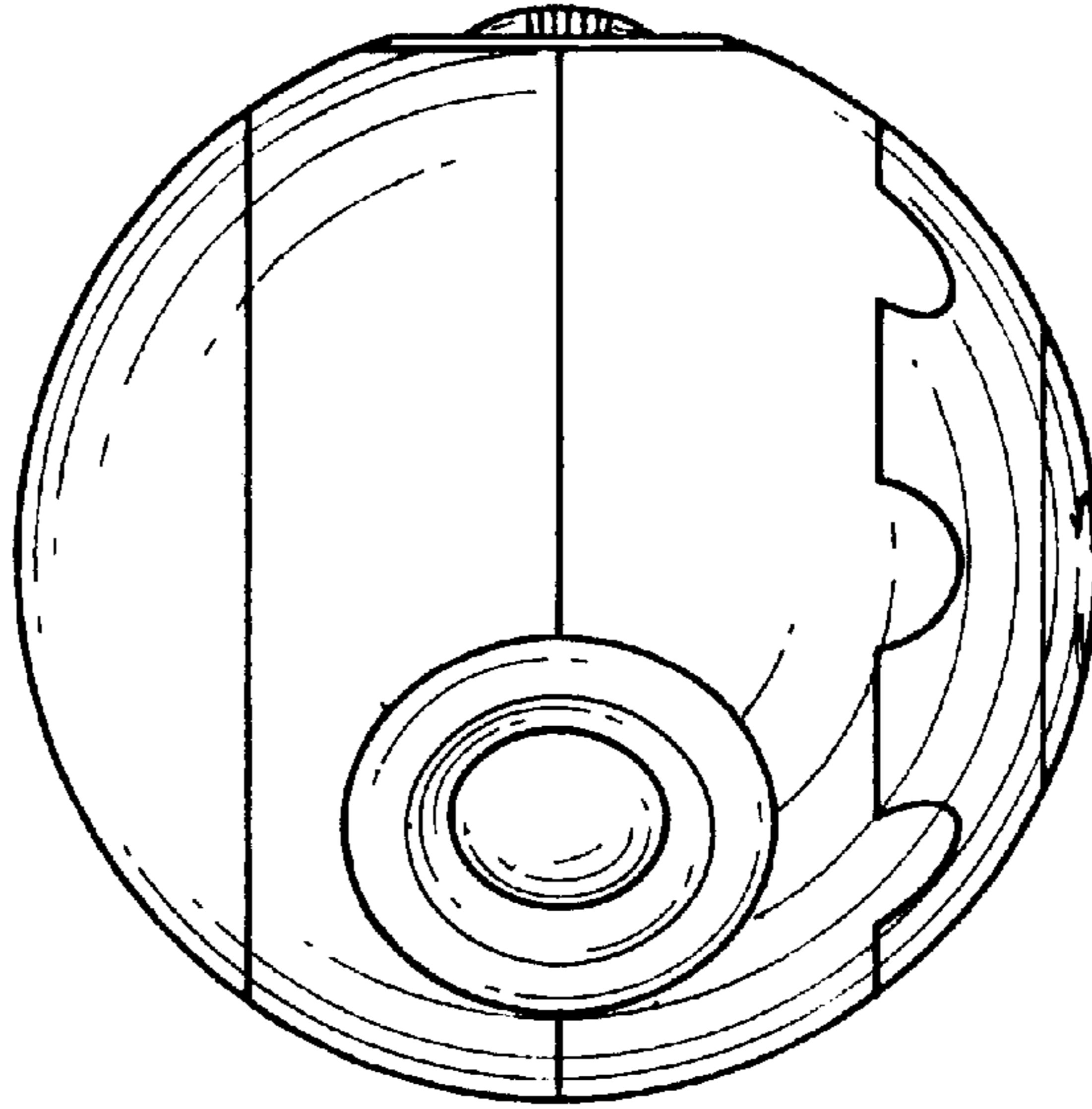


FIG. 7

