



US00D468232S

(12) **United States Design Patent**
Biond

(10) **Patent No.:** **US D468,232 S**

(45) **Date of Patent:** **** Jan. 7, 2003**

(54) **FLOATING STONE JEWELRY**

5,755,117 A * 5/1998 Shenhav 63/26
D424,468 S * 5/2000 Bergagnini D11/40

(76) Inventor: **James E. Biond**, 4460 E. Battlecreek Ct., Jacksonville, FL (US) 32258

* cited by examiner

(**) Term: **14 Years**

Primary Examiner—Ralf Seifert
(74) *Attorney, Agent, or Firm*—Arthur G. Yeager

(21) Appl. No.: **29/115,980**

(57) **CLAIM**

(22) Filed: **Dec. 27, 1999**

The design appearance for a jewelry pendant, brooch or charm, as shown and described.

(51) **LOC (7) Cl.** **02-07**

(52) **U.S. Cl.** **D11/202**

(58) **Field of Search** D11/202, 9, 1-3,
D11/13, 90, 91, 92, 79, 87; 29/10, 896.4;
63/26, 27, 29.1

DESCRIPTION

FIG. 1 is a front elevational view of a floating stone jewelry showing my design;
FIG. 2 is a right side elevational view thereof, the left side elevational view being the mirror image thereof; and,
FIG. 3 is a front perspective view thereof.

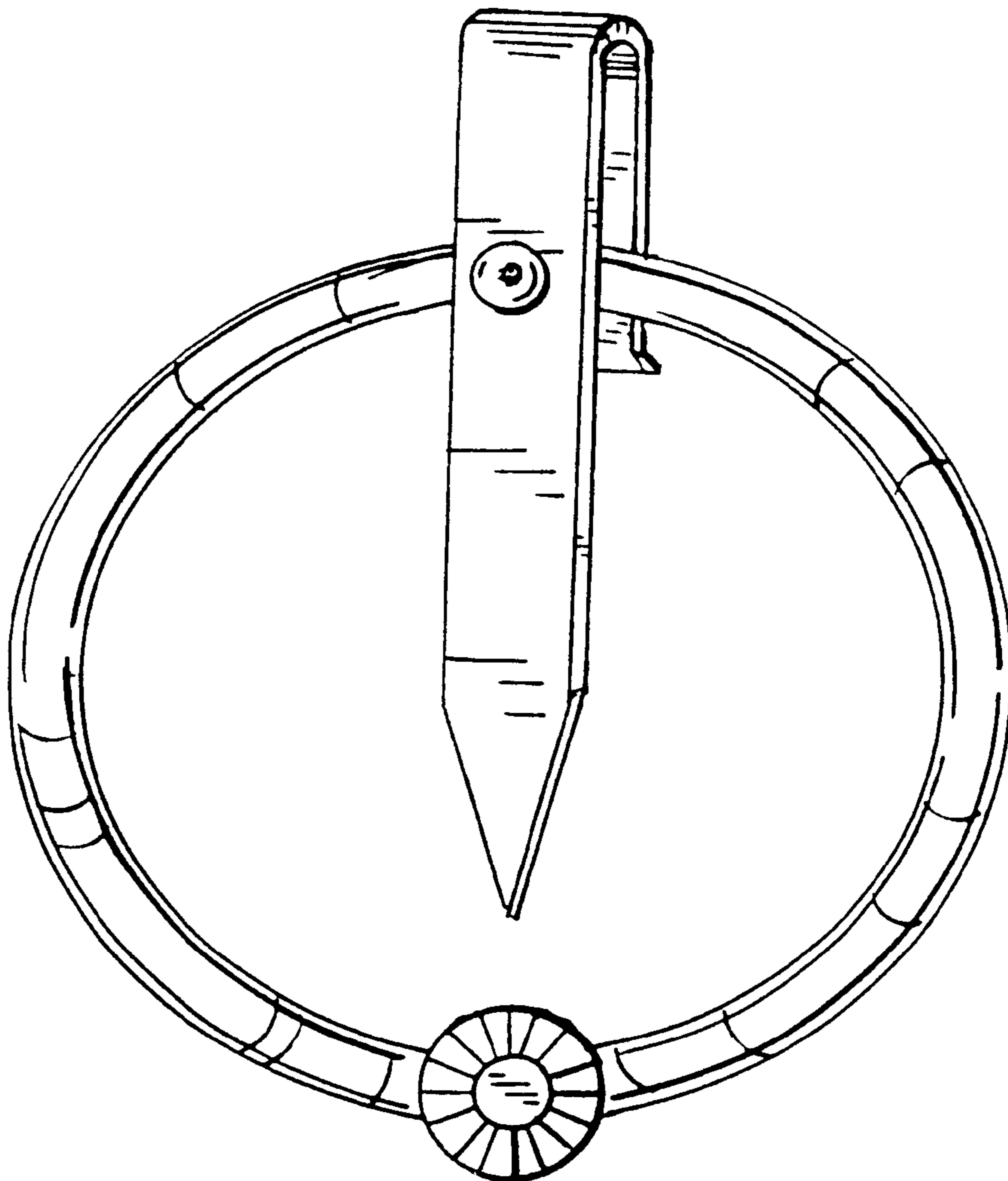
The gemstone is secured by a hidden channel setting giving the appearance of a floating stone.

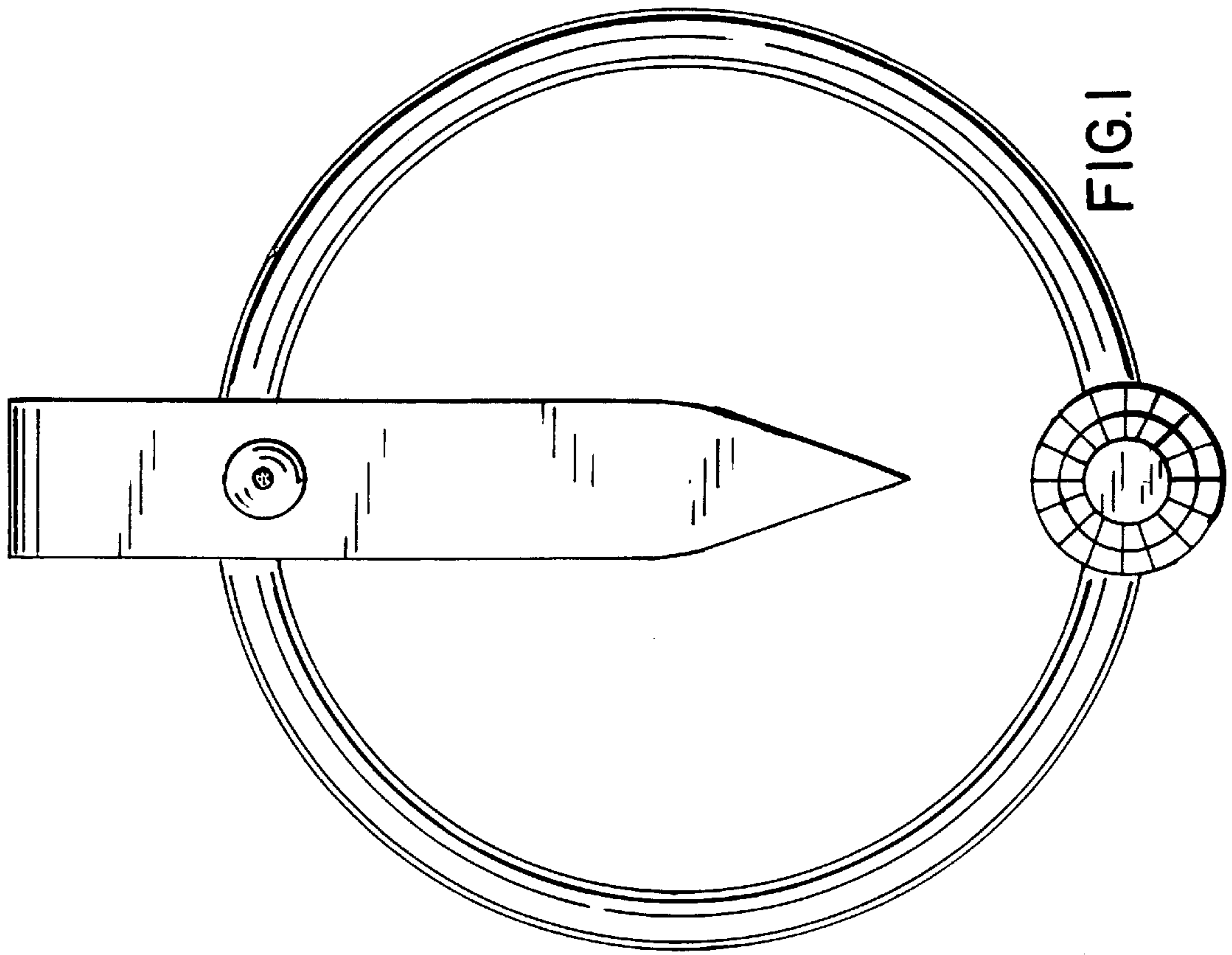
(56) **References Cited**

U.S. PATENT DOCUMENTS

2,340,708 A * 2/1944 Stern 24/230
D171,455 S * 2/1954 Manne D45/10
D317,275 S * 6/1991 Lopez D11/202

1 Claim, 2 Drawing Sheets





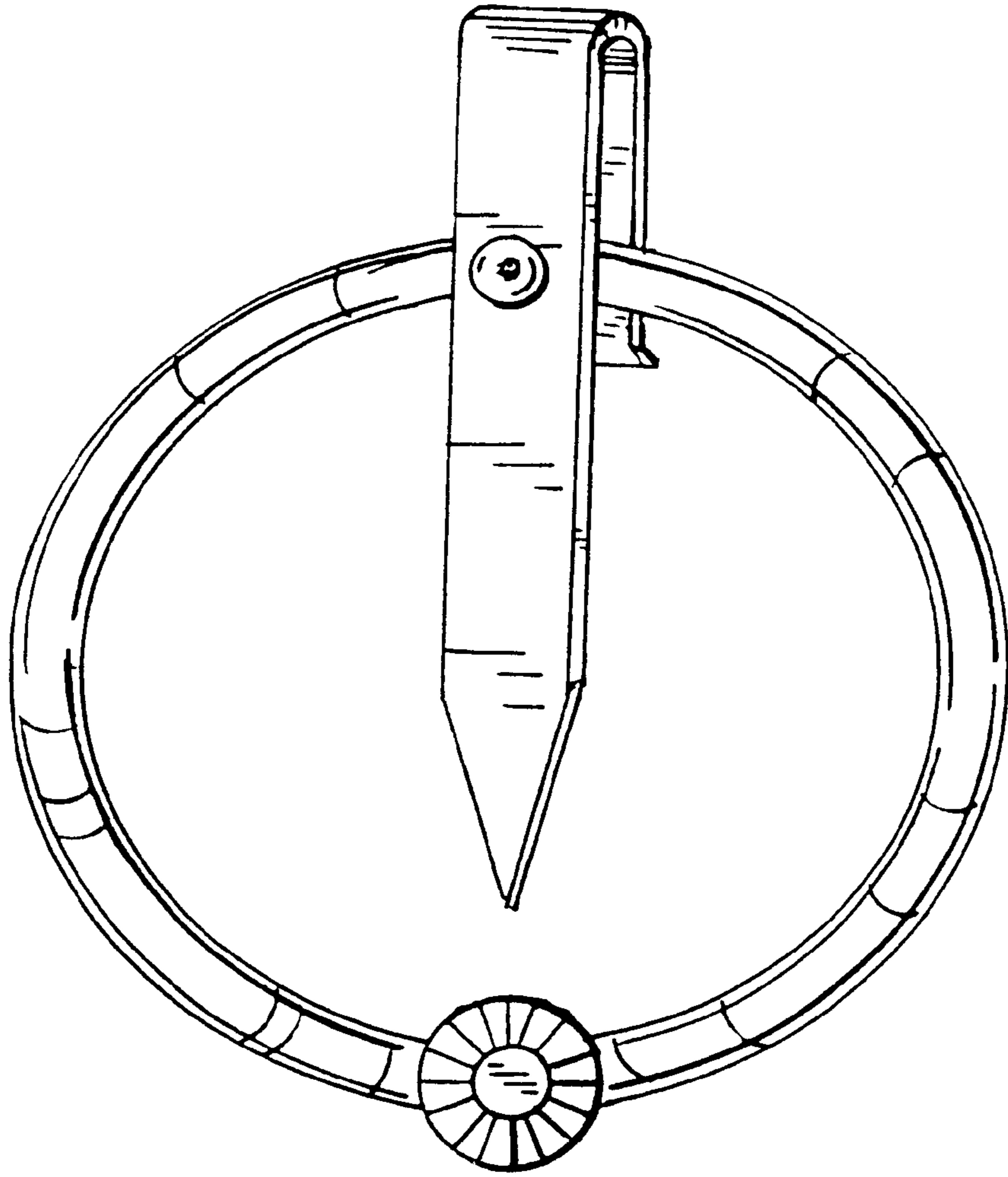


FIG. 3