

US00D468229S

(12) **United States Design Patent**
Chia et al.

(10) **Patent No.: US D468,229 S**
(45) **Date of Patent: ** Jan. 7, 2003**

(54) **JEWELRY COMPONENT**

(76) Inventors: **Meang Chia**, 412 W. 6th St., Suite 1104, Los Angeles, CA (US) 90014;
Cheo Chia, 412 W. 6th St., Suite 1104, Los Angeles, CA (US) 90014; **Huy Kim Chia**, 412 W. 6th St., Suite 1104, Los Angeles, CA (US) 90014

(**) Term: **14 Years**

(21) Appl. No.: **29/140,293**

(22) Filed: **Apr. 16, 2001**

Related U.S. Application Data

(62) Division of application No. 29/116,859, filed on Jan. 11, 2000, now Pat. No. Des. 448,318, which is a continuation-in-part of application No. 29/098,058, filed on Dec. 21, 1998, now Pat. No. Des. 418,445, which is a division of application No. 29/070,204, filed on May 7, 1997, now Pat. No. Des. 406,247.

(51) **LOC (7) Cl. 11-01**

(52) **U.S. Cl. D11/93**

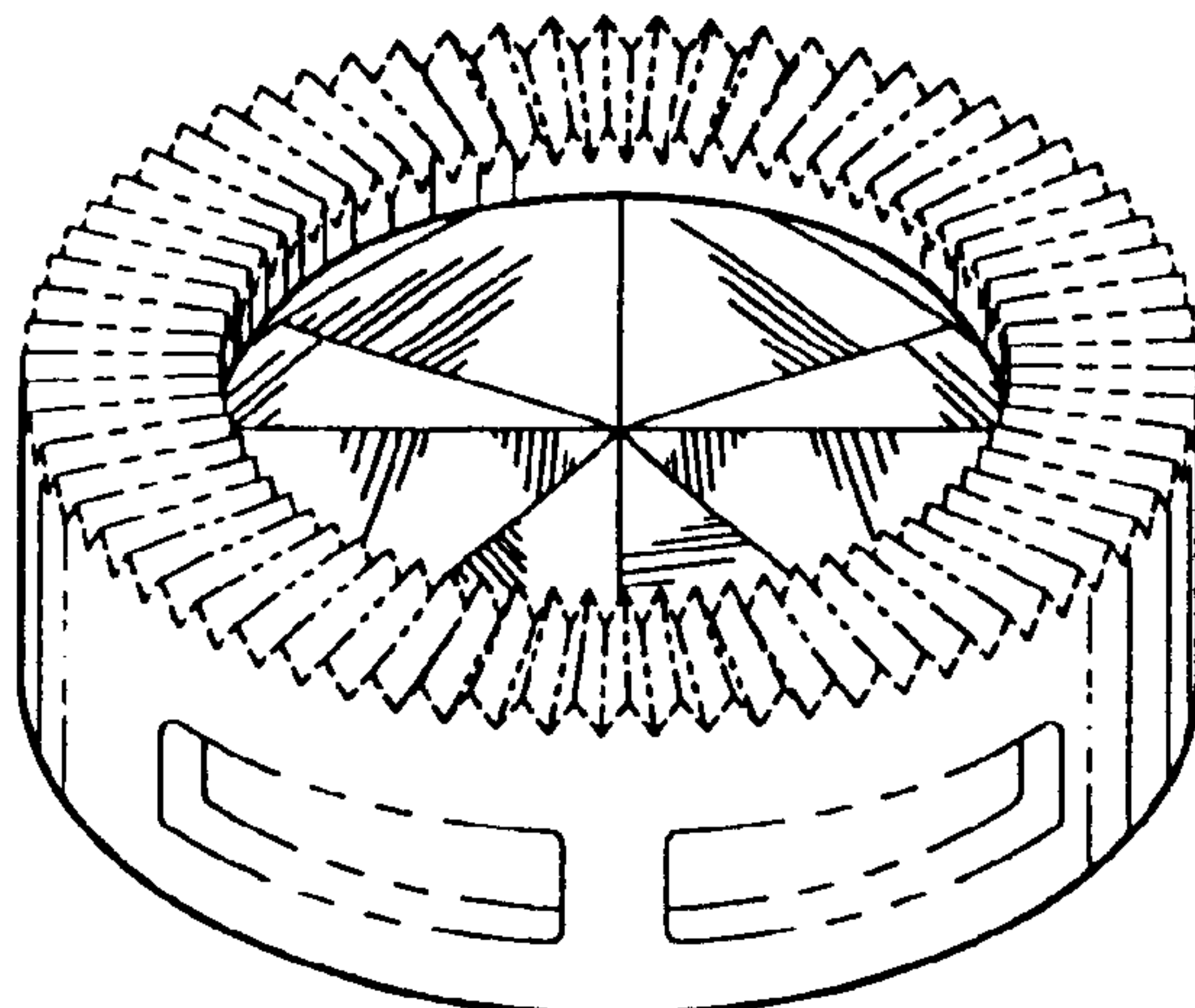
(58) **Field of Search D11/1-26, 35,**
D11/40, 48, 54, 56, 76, 89-94; 63/1.11,
2, 4, 15, 27, 32; 59/80

(56) **References Cited**

U.S. PATENT DOCUMENTS

D12,579 S	11/1881	Reynolds
D14,818 S	2/1884	Merril
439,139 A	10/1890	Gaynor
569,495 A	10/1896	Gunther
572,237 A	12/1896	Adams
D32,439 S	4/1900	Gay
D32,649 S	5/1900	McCutchen et al.
795,109 A	7/1905	Dover
813,084 A	2/1906	Dover
851,078 A	4/1907	Dunn
1,001,583 A	8/1911	Fairbrother
1,024,048 A	4/1912	Abel
D42,514 S	5/1912	Meyers
D42,643 S	6/1912	Meyers
1,153,362 A	9/1915	Wacha

D48,950 S	4/1916	Rosenberger
1,189,497 A	7/1916	Schwartzman
1,344,365 A	6/1920	Wachenheimer
D55,597 S	7/1920	Felger
D56,605 S	11/1920	Grasmuk
D56,607 S	11/1920	Grasmuk
1,410,366 A	3/1922	Buchman
1,433,521 A	10/1922	Albanese
1,443,654 A	1/1923	Schmidt
1,467,468 A	9/1923	Blanchard
1,556,465 A	10/1925	Wendel
1,570,776 A	1/1926	Peters
1,570,932 A	1/1926	Anderson et al.
1,589,423 A	6/1926	Payton
D76,664 S	10/1928	Chase
D77,434 S	1/1929	Rice
1,701,610 A	2/1929	Forstner
1,710,660 A	4/1929	Guyot
D84,213 S	5/1931	Speidel
1,842,427 A	1/1932	Sammartino
1,854,958 A	4/1932	Santosuosso
1,892,738 A	1/1933	Schnarr
1,981,696 A	11/1934	Harper
D110,568 S	7/1938	Garfinkel
D117,577 S	11/1939	Sand
D119,286 S	3/1940	Somers
2,273,227 A	2/1942	Simmons
D131,750 S	3/1942	Hobe
D131,847 S	3/1942	Hobe
D143,583 S	1/1946	Feingold
D143,588 S	1/1946	Grun
D143,750 S	2/1946	Philippe
D144,901 S	6/1946	Braunstein
D145,426 S	8/1946	Braunstein
D146,779 S	5/1947	Slater
D151,904 S	11/1948	Katz
D155,873 S	11/1949	Chernow
D156,650 S	12/1949	Pearce et al.
D156,744 S	1/1950	Kent
D159,528 S	8/1950	Philippe
D159,582 S	8/1950	Boucher
D160,241 S	9/1950	Bardach
2,526,134 A	10/1950	Henry
2,538,090 A	1/1951	Ferragamo
D165,468 S	12/1951	Katz
2,584,207 A	2/1952	Holl
2,634,593 A	4/1953	Moretti
D176,664 S	1/1956	Katz
2,852,923 A	9/1958	Gamelsky



D184,930 S	4/1959	Gonicberg	
D186,903 S	12/1959	Hess	
3,025,820 A	3/1962	Rosenthal	
D202,723 S	11/1965	Gaston	
3,483,716 A	12/1969	Stenzler	
3,670,524 A	6/1972	Korwin	
4,154,282 A	5/1979	Kull	
4,165,574 A	8/1979	Sciotti	
D257,017 S	9/1980	Barr	
D265,639 S	8/1982	Barr	
D266,954 S	11/1982	Gordan	
4,399,910 A	8/1983	Gutentag	
4,488,415 A	12/1984	Jenkins	
D277,466 S	2/1985	Chien	
4,551,993 A	11/1985	Nagahori	
4,566,294 A	1/1986	Brzozowski	
4,763,489 A	8/1988	Strong	
4,781,038 A	11/1988	Branca et al.	
D314,528 S	2/1991	Chia et al.	D11/93
D314,730 S	2/1991	Chia et al.	D11/93
D314,929 S	2/1991	Chia et al.	D11/6
D317,139 S	5/1991	Chia et al.	D11/93
D317,423 S	6/1991	Chia et al.	D11/93
D319,033 S	8/1991	Chia et al.	D11/93
5,056,337 A	10/1991	Nhaissi	
D322,043 S	12/1991	Chia et al.	D11/93
D325,180 S	4/1992	Chia et al.	D11/93
D325,709 S	4/1992	Chia et al.	D11/93
D325,710 S	4/1992	Chia et al.	D11/93
D325,711 S	4/1992	Chia et al.	D11/93
D325,886 S	5/1992	Chia et al.	D11/93
D329,026 S	9/1992	Chia et al.	D11/12
D329,206 S	9/1992	Chia et al.	D11/93
D329,401 S	9/1992	Chia et al.	D11/93
D331,726 S	12/1992	Chia et al.	D11/93
D335,639 S	5/1993	Chia et al.	D11/93
D336,057 S	6/1993	Chia et al.	D11/93
D336,059 S	6/1993	Chia et al.	D11/93
D336,060 S	6/1993	Chia et al.	D11/93
D337,069 S	7/1993	Chia et al.	D11/93
D337,070 S	7/1993	Chia et al.	
D337,283 S	7/1993	Keshishian	
D337,546 S	7/1993	Keshishian	
D337,547 S	7/1993	Keshishian	
D338,852 S	8/1993	Keshishian	
5,355,698 A	10/1994	Edmark	
5,365,754 A	11/1994	Nalbandian	
D379,074 S	5/1997	Udco	
D388,016 S	12/1997	Kejejian	
5,694,791 A	12/1997	Esposito	
5,806,345 A	9/1998	Bonchek	
D406,247 S	3/1999	Chia et al.	
5,992,177 A	11/1999	Beard	
D418,445 S	1/2000	Chia et al.	
D418,446 S	1/2000	Chia et al.	
D423,981 S	5/2000	Chia et al.	
6,116,054 A	9/2000	Czupor	

FOREIGN PATENT DOCUMENTS

CH	238894	8/1945	
EP	0 063 751 A1	11/1982 A44C/3/00
FR	608150	7/1926	
FR	709603	8/1931	
FR	1 319 354 A	5/1963	
GB	1 077 460	7/1967 A44C/17/02
GB	1 200 257	7/1970 A44C/9/00
GB	2 070 344 A	9/1981 H02G/3/04
GB	2 077 441 A	12/1981 G01R/33/06
WO	00/38551 A1	7/2000 A44C/17/02

OTHER PUBLICATIONS

A&A Jewelry Tools & Findings; Smooth edge coin, w/4 prong w/bail; 7 pages including G92.

All Karats International; Edizioni, Primavera–Estate/Spring–Summer, Sixth Edition; “Diamond Necklace”; 2 pages including cover (1998).

California Gold Center; Bezel–set jewelry; 1 page.

Caroline Ballou Collection; 18K Tribal Interpretations; and Barnett Robinson, Inc.; 18k yellow gold and platinum rings (1 page).

“Charms” catalog by Americas GOLD; item #736–20; p. 136.

Corona; Corona’s Lasting Treasures Collection; Item SS 424.

Crafford Precision Products Co.; “Laser Spot–Welding Systems”; p; 4 pages; (1997).

Fancy Catalog, Item Nos. 11111; 11112; 11114; p. 111 (total 14 pages).

Gervais, J.; “A Little Light Welding”, *AJM*, 4 pages (May 1998).

Hans D. Krieger; “JCK Show” catalog insert.

Hans D. Krieger; “Platinum Classic”; A Promotional Supplement to *Jewelers’ Circular Keystone*, p. 178 (May 1997).

Jaha Jewelry Inc.; 6 pages total including J6, J10, J13.

Janet Alix necklace, *Jewelers’ Circular Keystone*, p. 132 (May 1997).

“Liberty Collections” by Liberty I. Exchange; pp. 4 and 21 (Item 6ML–588 6.1g) .

“Love Tears Collection” by Studs, Inc., *Jewelers’Circular Keystone*; diamond solitaire necklaces in 18K gold; (Dec. 1997).

Maty, Collection Automne—Hiver 97–98, Valeur 30F, No. 76; 1 page.

Mervyn’s California catalog flyer; #14; Cache fashion watch; p. 11 (1998).

National Jeweler; Items #P10529, #84622, (May 16, 1997).

P.Q.C. Jewelry; *National Jeweler*; Item N 362, p. 142 (Jun. 1, 1998).

“Rio Grande: Gems & Findings”; Gold earrings: 14K yellow back–set French wire earrings Die Struck, Item “M” cover page and p. 90.

S&R Designs, Inc.; 18k Diamond Flower necklace, earrings, and bar bracelet; Styles Europa, 18k 2–one gold ring, bracelet, necklace with diamonds; 1 page.

Superior Diamond Cutters Inc.; *Jewelers’ Circular Keystone*; Platinum and 18k gold slide pendant with diamonds; p. 108 (Dec. 1997).

The Gold Book, Oro America, Items HE, 142(A) 2.37gr. (89), HE.141 (A) 2.37gr. (89), HE.143 (A) 2.89gr. (108), p. 18 (1996).

The Multi–Color Gold Jewelry Book, Oro America, Earring Items: ETR.014 .95(39); ETR.022 1.0(42): ETLB.0011.7 (71); p. 1.

The Vatican Library Collection, *Jewelers’ Circular Keystone*; Skalet gold; 1 page.

Uni–Creation Inc., Emby International Inc. Collection.; 1 page.

Variety Gem Co., Inc.; *JCK Catalog* 05–97; Items N5526, N5520A, N5520B; one page (May 1997).

Wards, Gold Hoop (Earring) with Diamond Cut Ovals, Item #459312000; Purchased Dec. 2000, 4 pages.

Primary Examiner—Ralf Seifert
(74) Attorney, Agent, or Firm—Ladas & Parry

(57) **CLAIM**

The ornamental design for a jewelry component, as shown and described.

DESCRIPTION

Reference is made to Applicants' Application No. 09/224,936 filed Dec. 31, 1998 entitled "DECORATIVE JEWELRY ARTICLE"; Application No. 09/383,814 filed Aug. 26, 1999 entitled "DECORATIVE JEWELRY ITEM"; and U.S. Document Disclosure Certificate No. 459913, recorded Jul. 30, 1999.

FIG. 1 is a perspective view of the first embodiment of a jewelry component showing our new design, the broken line showing in the bottom portion of the jewelry component being for illustrative purposes only and forms no part of the claimed design;

FIG. 2 is a top plan view of the first embodiment;

FIG. 3 is a perspective view of a second embodiment of a jewelry component showing our new design, the broken line showing in the bottom portion of the jewelry component being for illustrative purposes only and forms no part of the claimed design;

FIG. 4 is a top plan view of the second embodiment;

FIG. 5 is a perspective view of a third embodiment of a jewelry component showing our new design, the broken line showing in the bottom portion of the jewelry component being for illustrative purposes only and forms no part of the claimed design;

FIG. 6 is a top plan view of the third embodiment;

FIG. 7 is a perspective view of a fourth embodiment of a jewelry component showing our new design, the broken line showing in the bottom portion of the jewelry component being for illustrative purposes only and forms no part of the claimed design;

FIG. 8 is a top plan view of the fourth embodiment;

FIG. 9 is a perspective view of a fifth embodiment of a jewelry component showing our new design, the broken line showing in the bottom portion of the jewelry component being for illustrative purposes only and forms no part of the claimed design;

FIG. 10 is a top plan view of the fifth embodiment;

FIG. 11 is a front elevational view of the fifth, sixth, seventh, and eighth embodiments, the opposite view being a mirror image, the broken line showing in the top portion of the jewelry component being for illustrative purposes only and forms no part of the claimed design;

FIG. 12 is an enlarged partial cross sectional view taken along the line 12—12 in FIGS. 10, 14, 16, and 18, the broken line showing in the top portion of the jewelry component being for illustrative purposes only and forms no part of the claimed design;

FIG. 13 is a perspective view of a sixth embodiment of a jewelry component showing our new design, the broken line showing in the bottom portion of the jewelry component being for illustrative purposes only and forms no part of the claimed design;

FIG. 14 is a top plan view of the sixth embodiment;

FIG. 15 is a perspective view of a seventh embodiment of a jewelry component showing our new design, the broken line showing in the bottom portion of the jewelry component being for illustrative purposes only and forms no part of the claimed design;

FIG. 16 is a top plan view of the seventh embodiment;

FIG. 17 is a perspective view of an eighth embodiment of a jewelry component showing our new design, the broken line showing in the bottom portion of the jewelry component being for illustrative purposes only and forms no part of the claimed design; and,

FIG. 18 is a top plan view of the eighth embodiment.

1 Claim, 2 Drawing Sheets

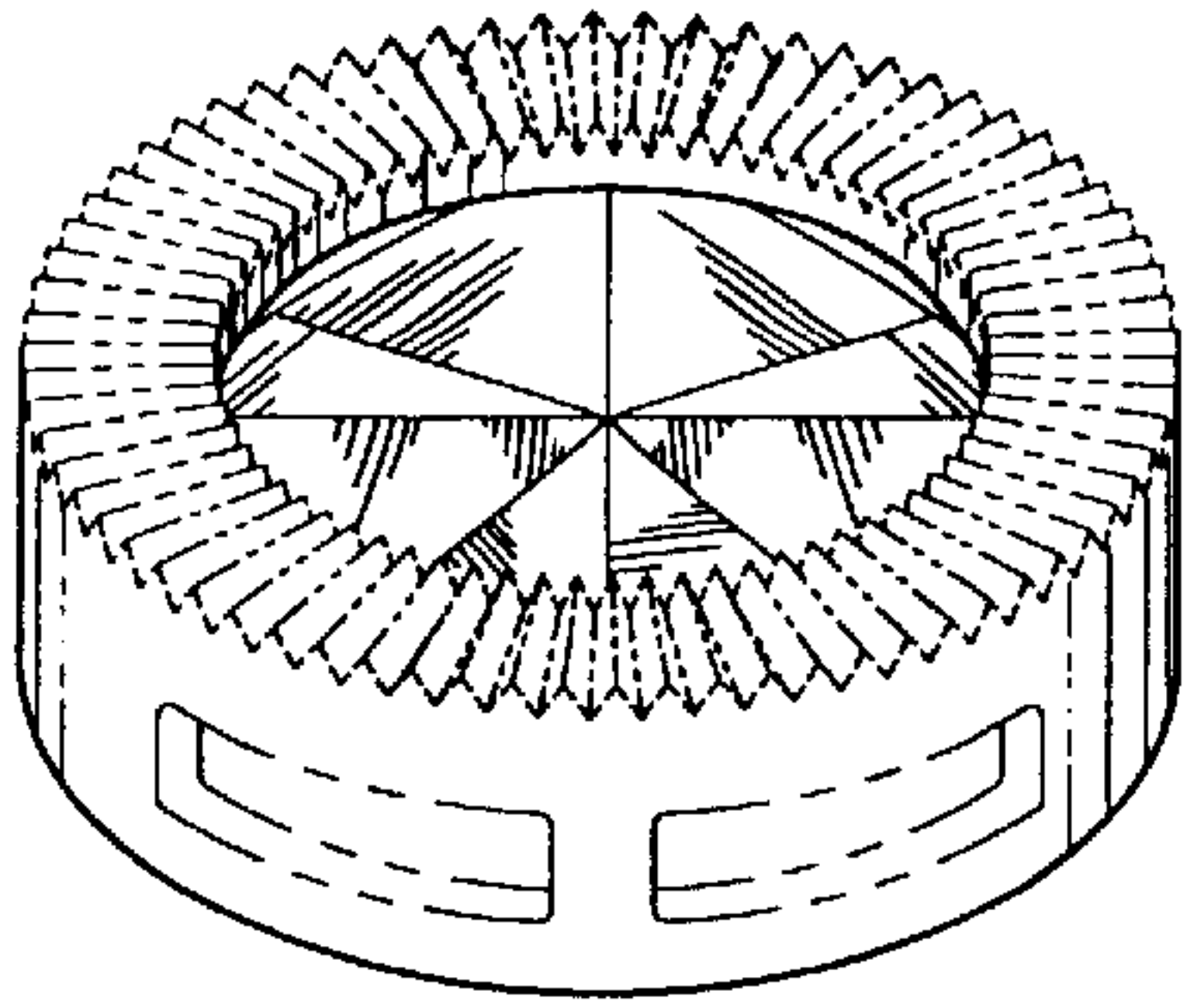


FIG. 1

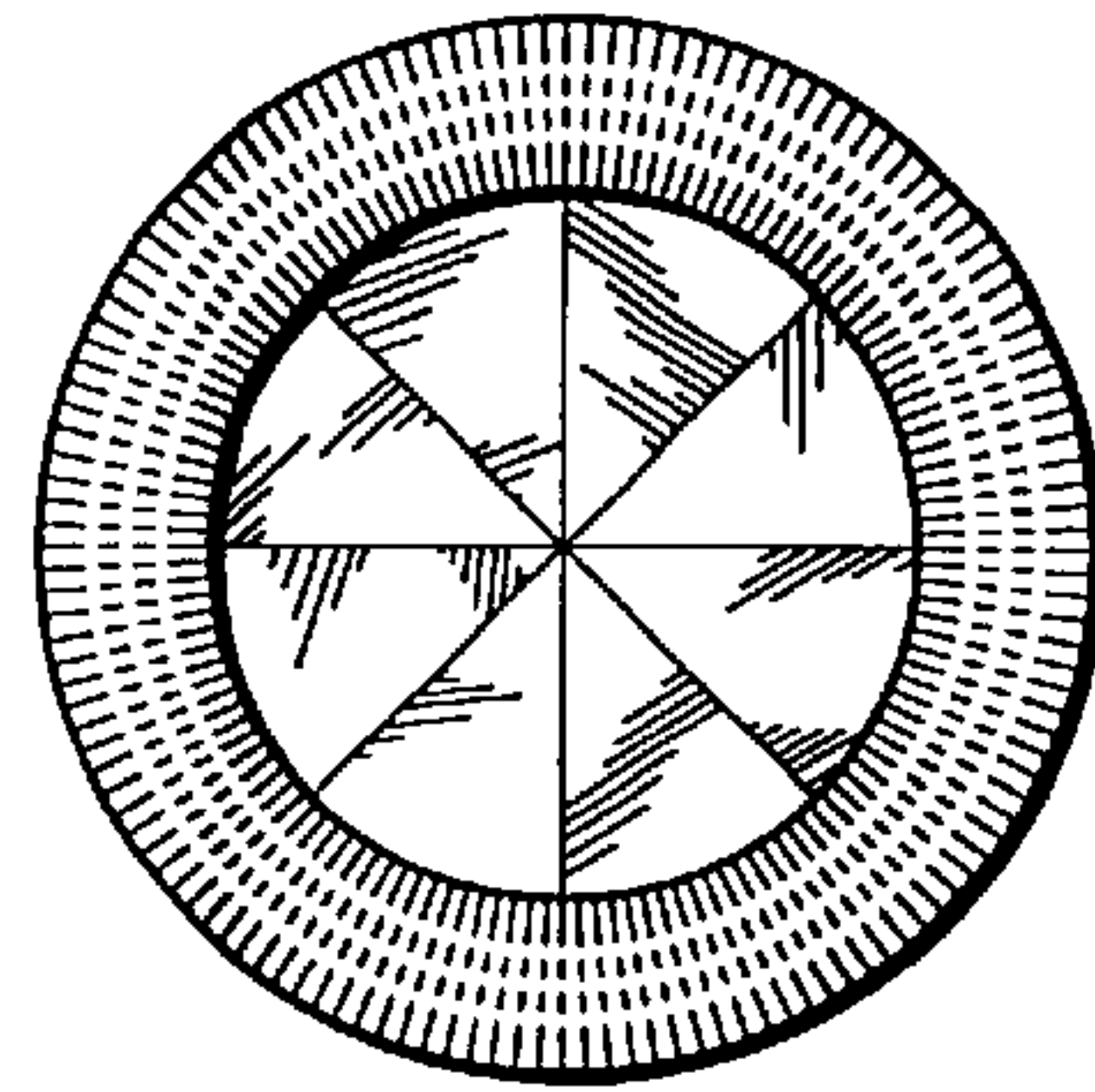


FIG. 2

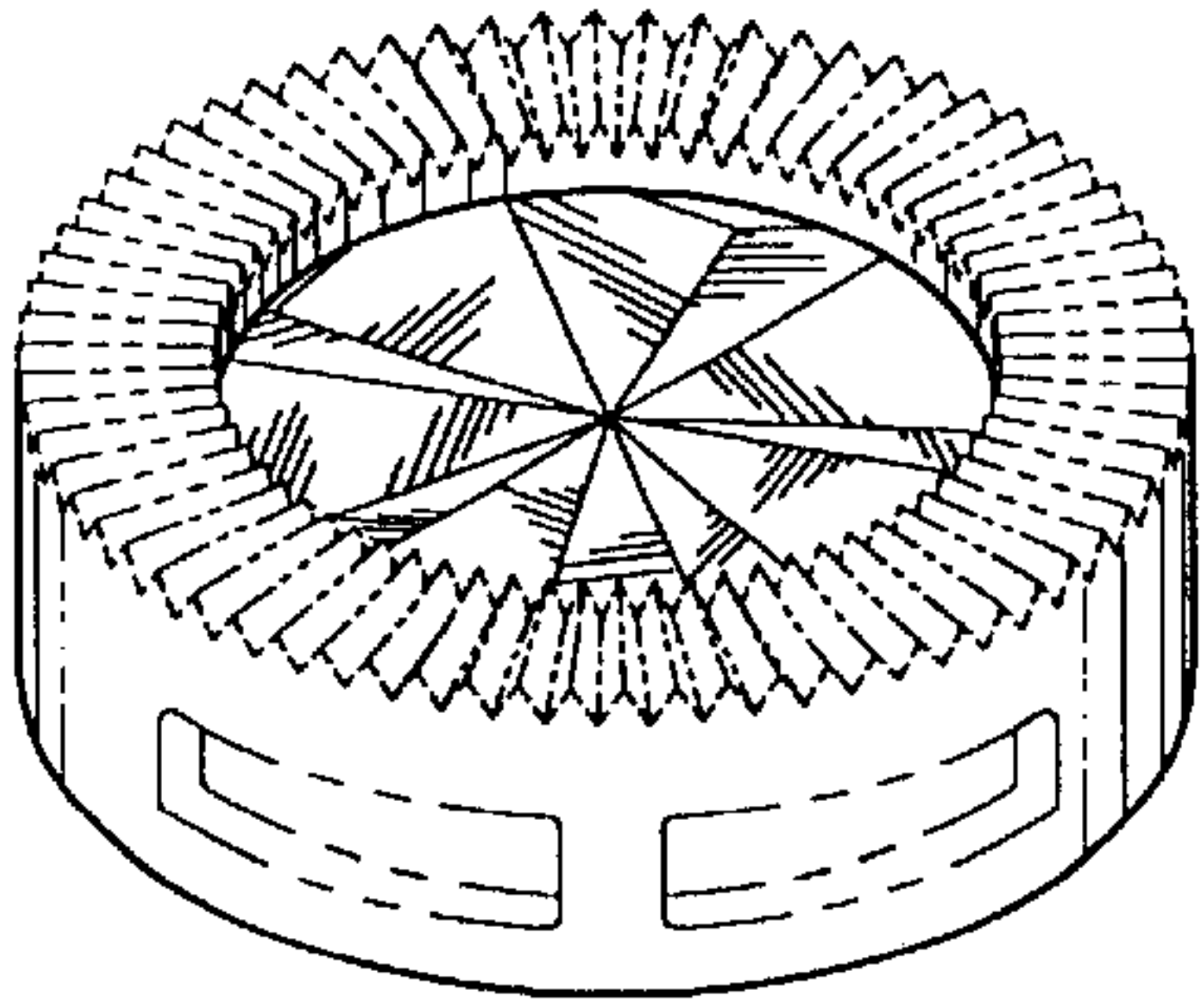


FIG. 3

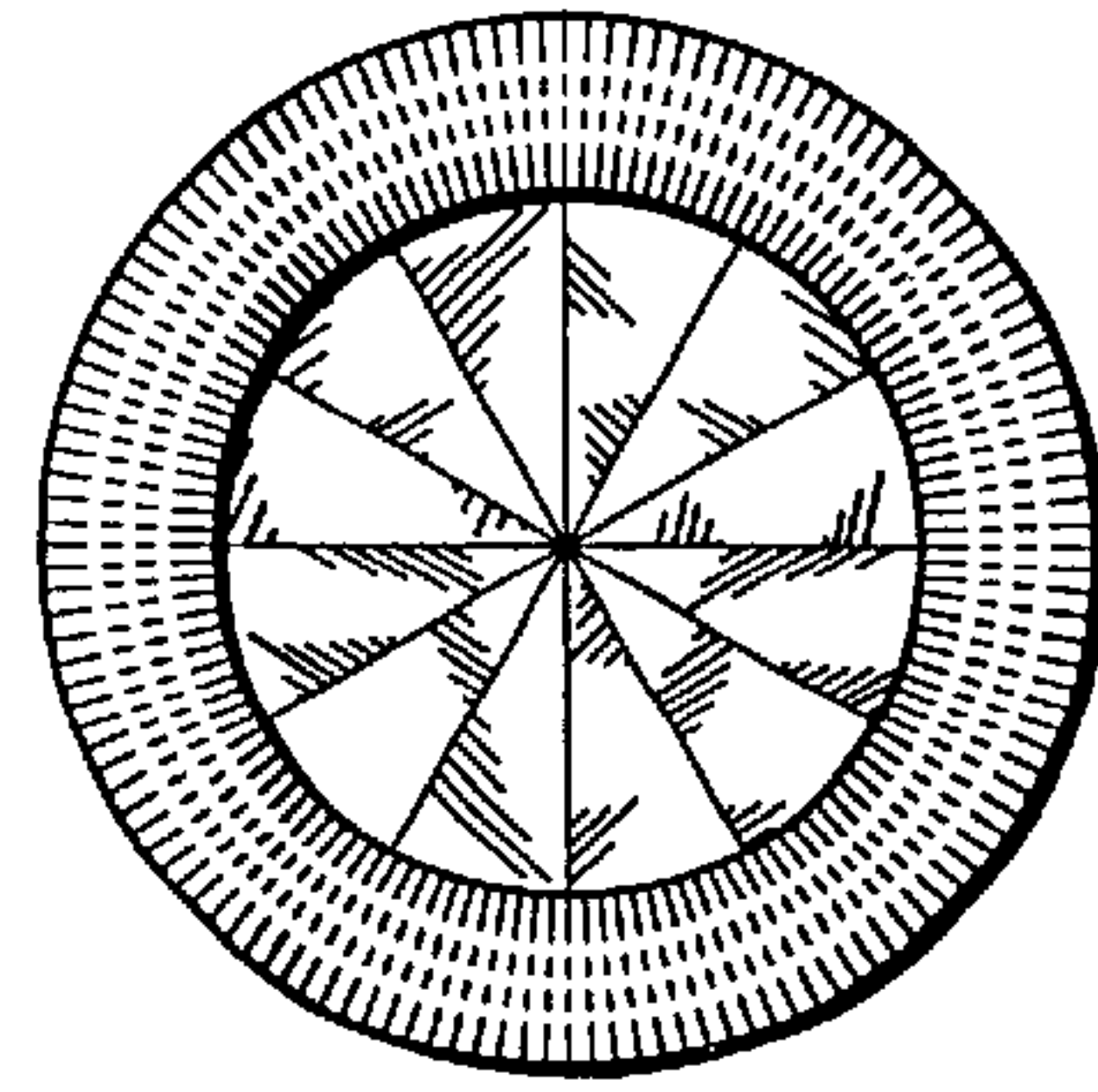


FIG. 4

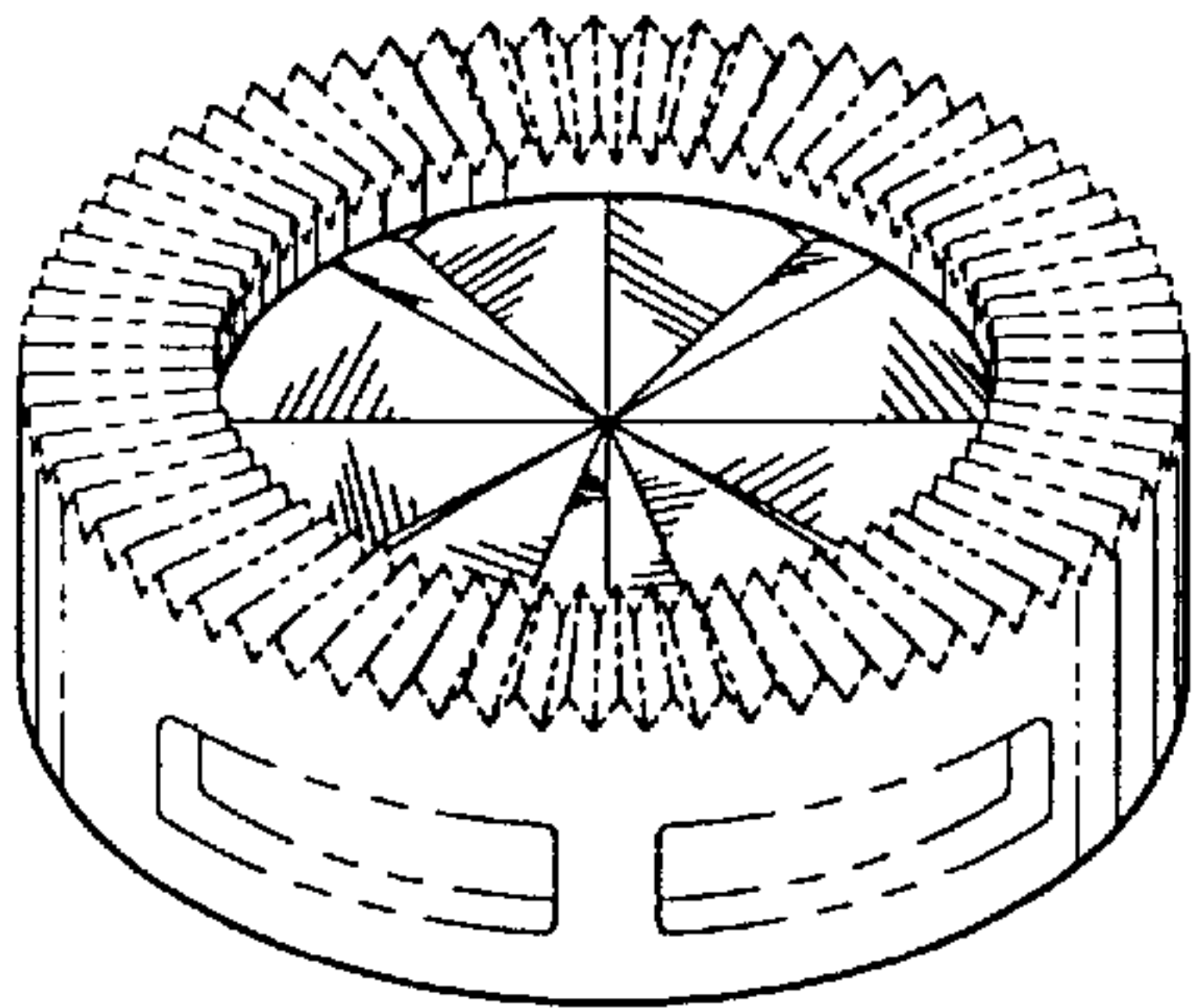


FIG. 5

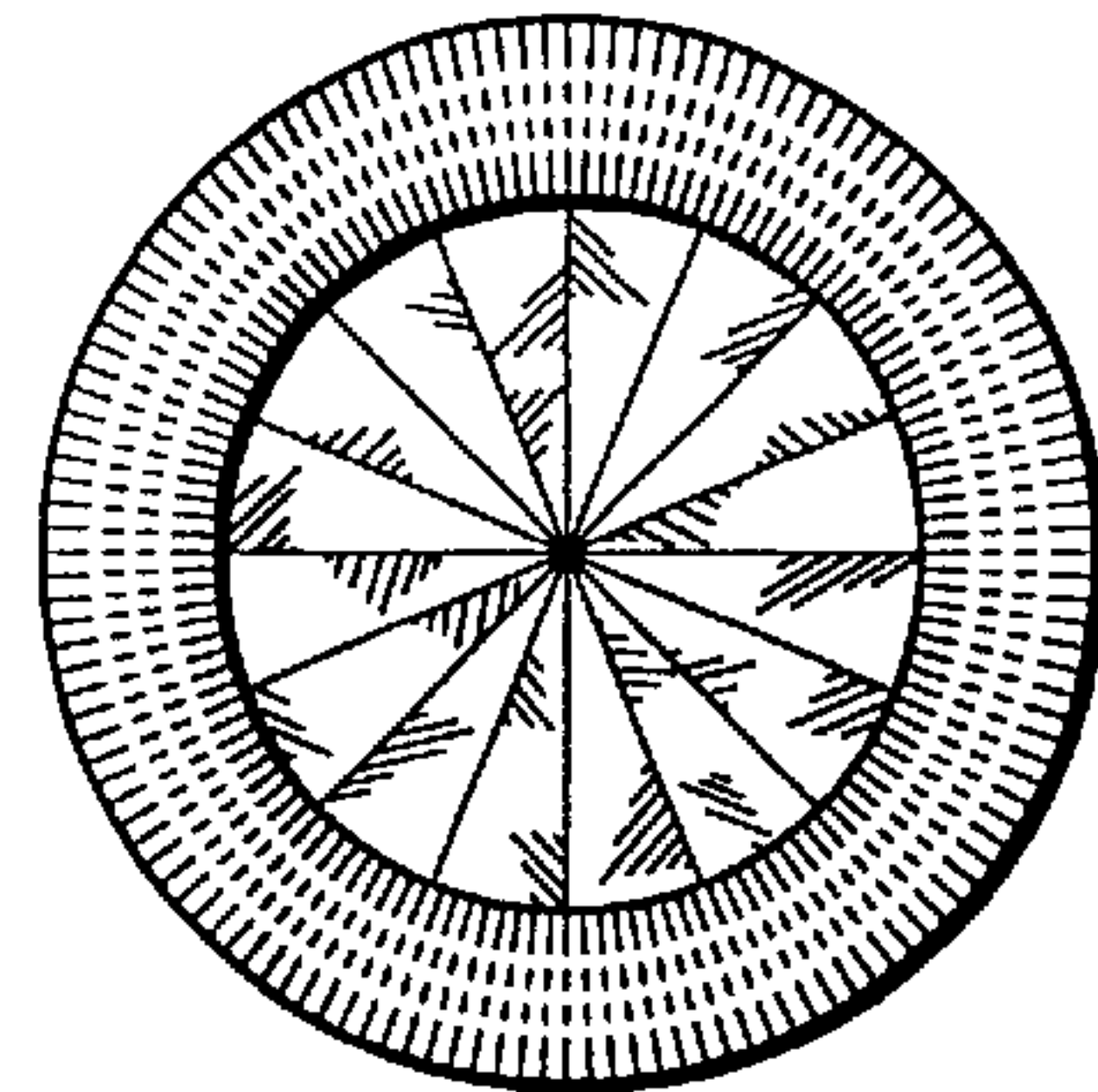


FIG. 6

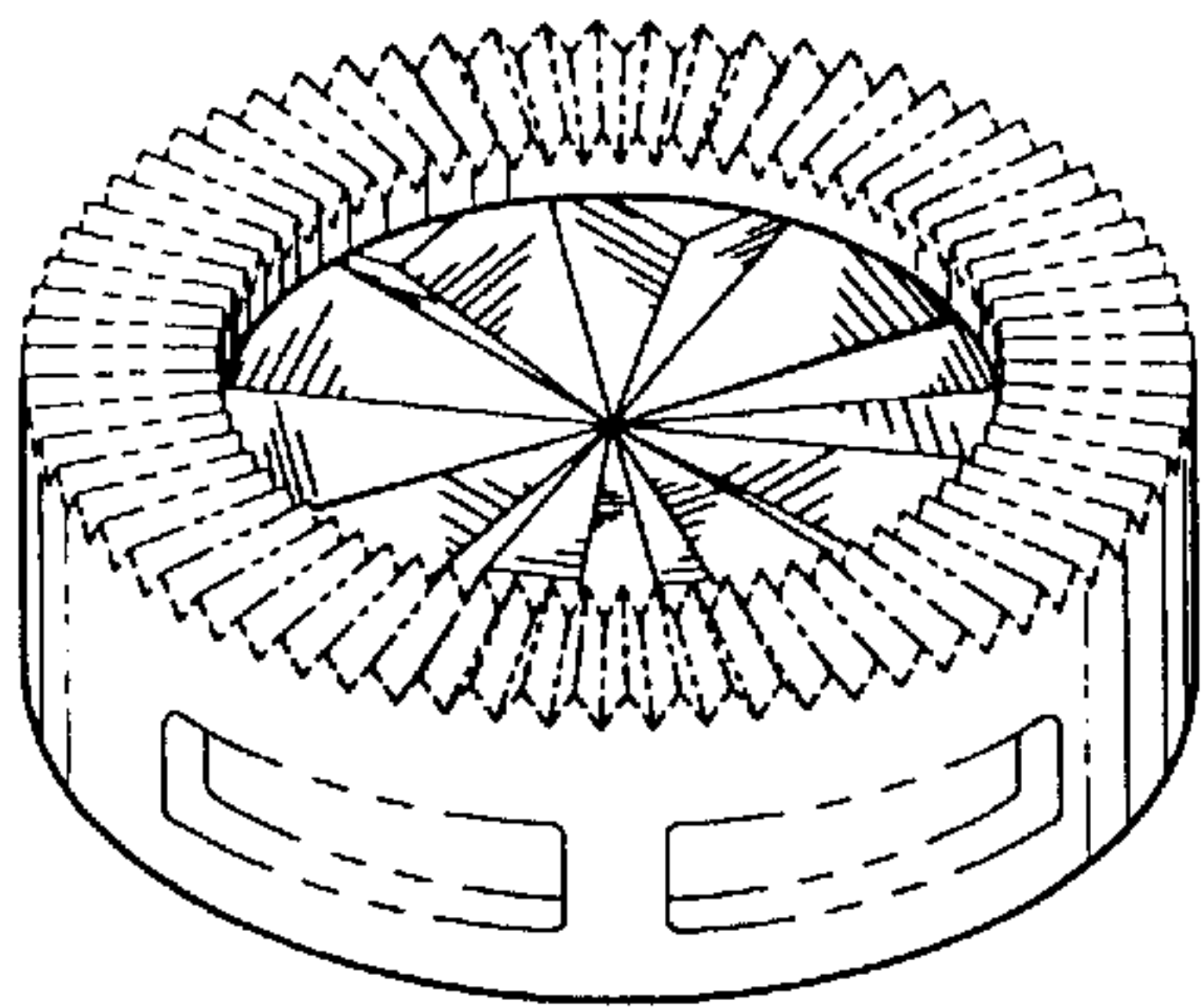


FIG. 7

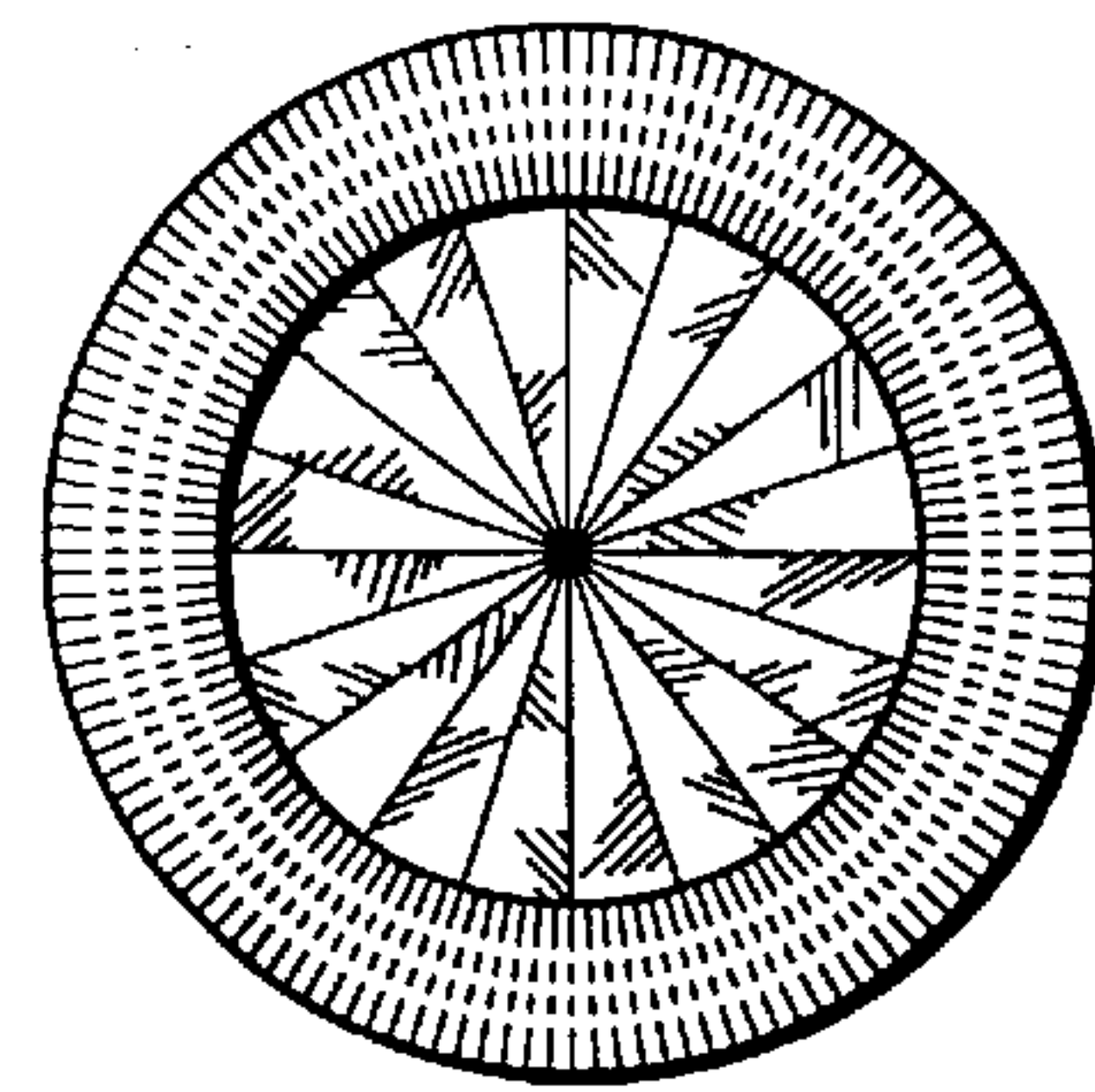


FIG. 8

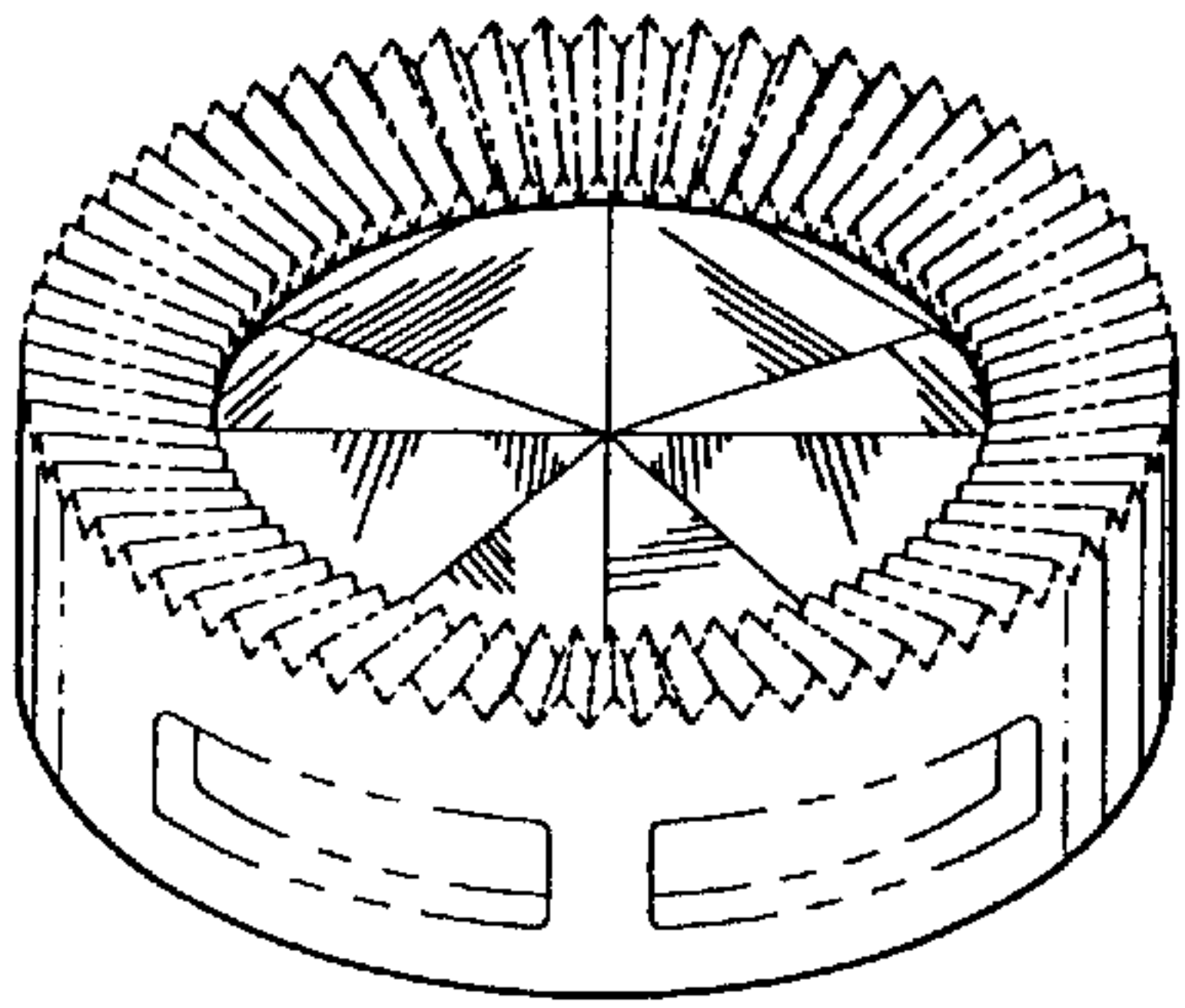


FIG. 9

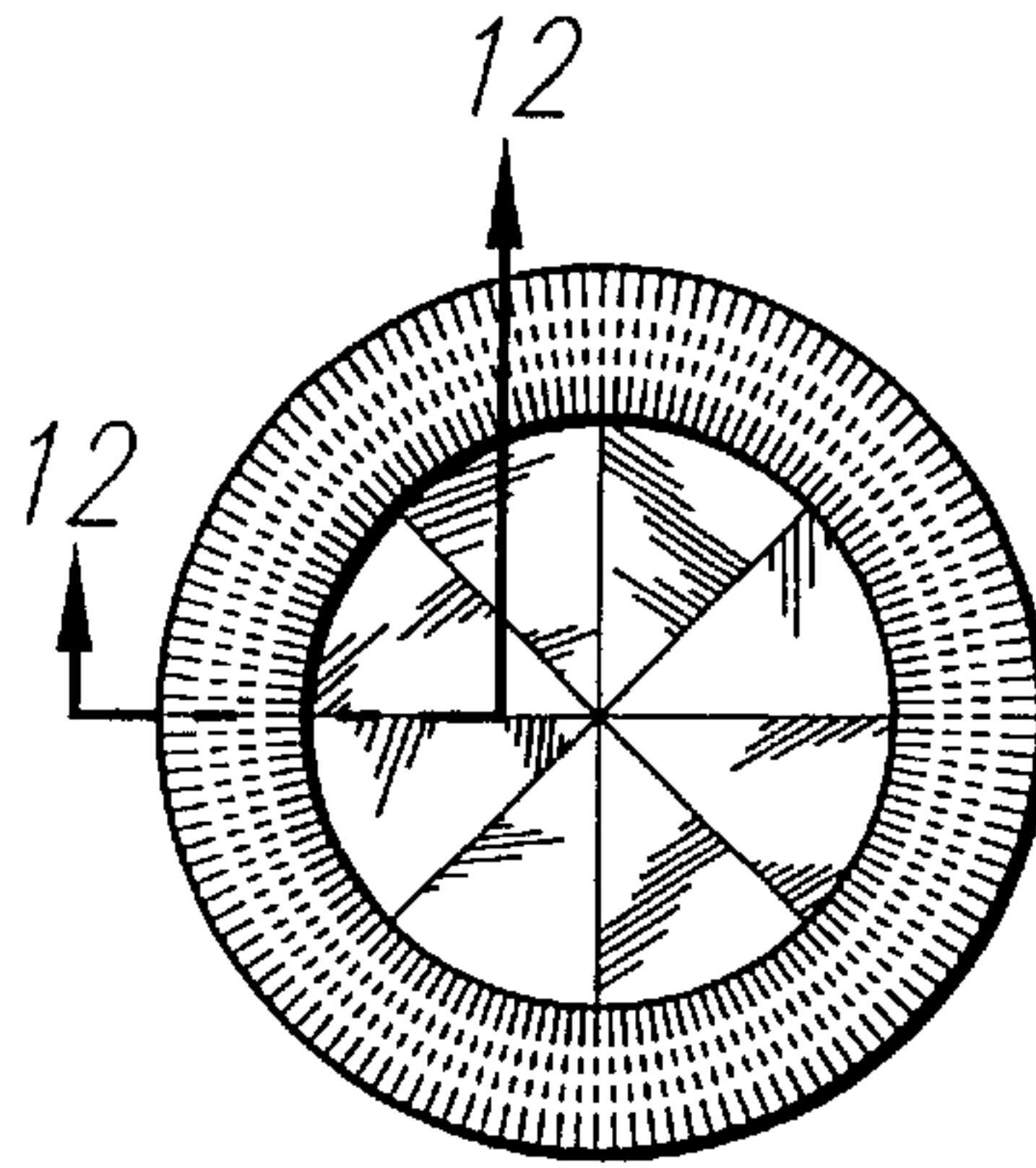


FIG. 10

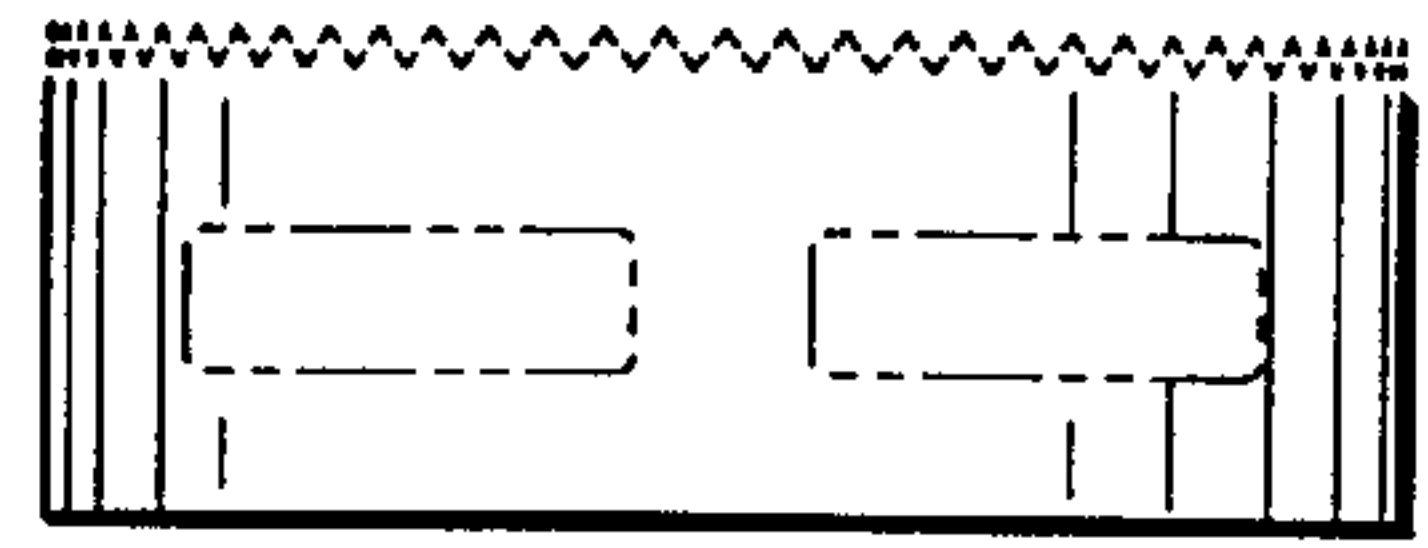


FIG. 11

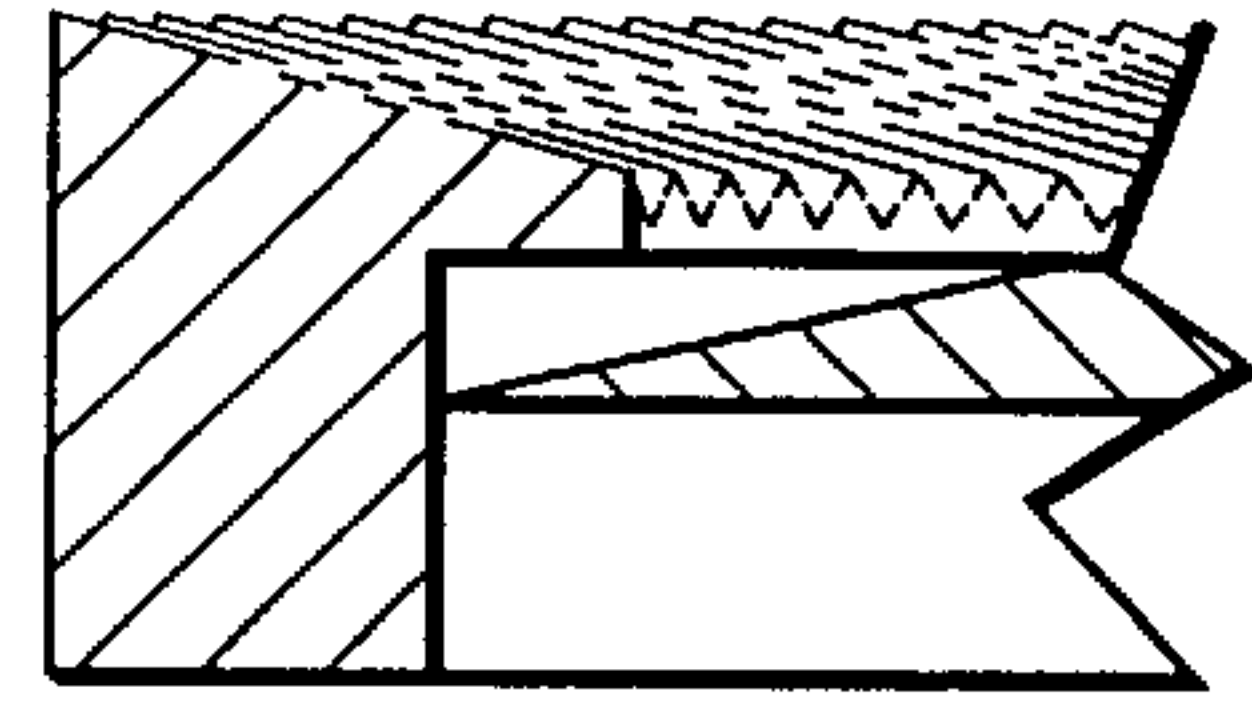


FIG. 12

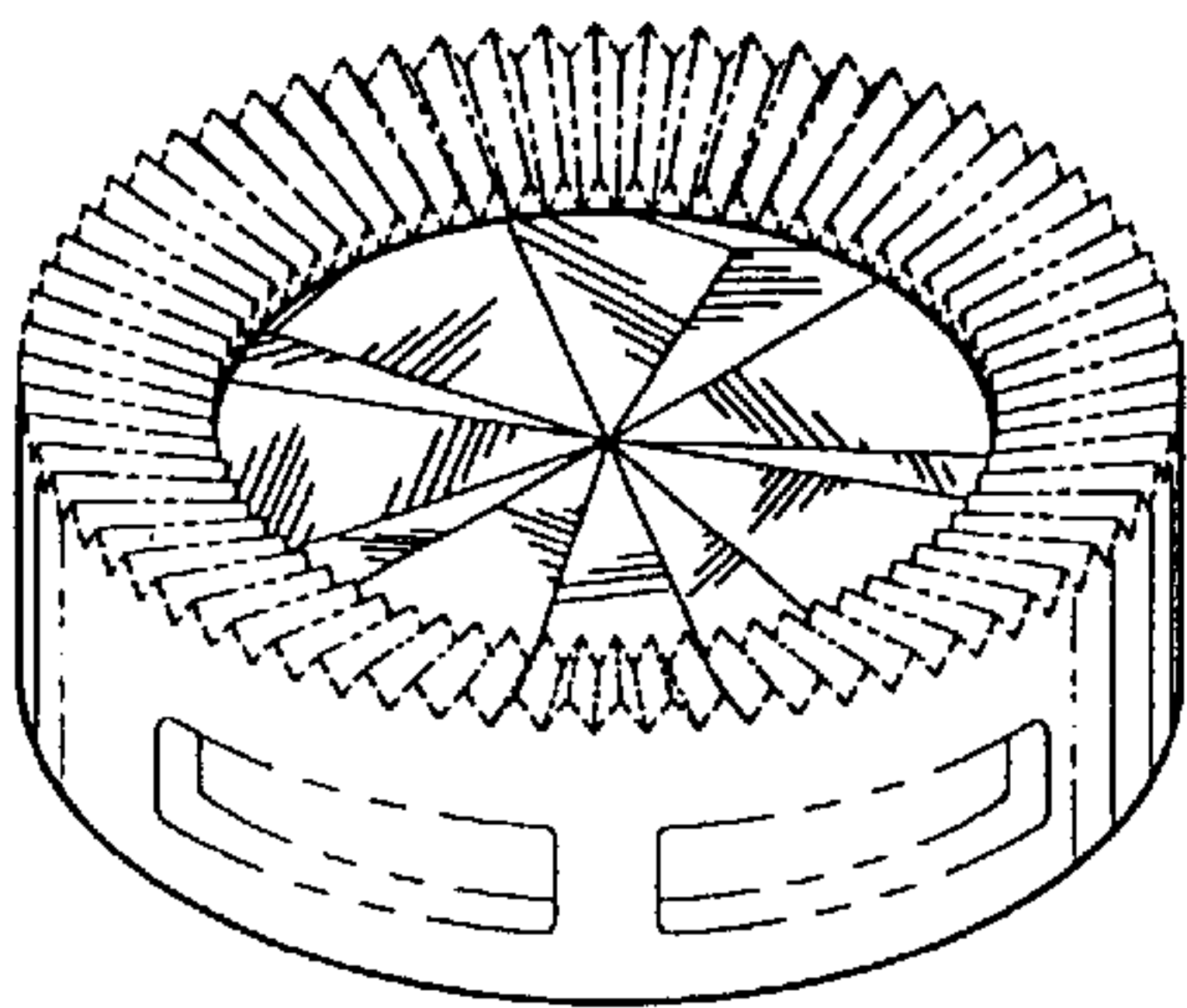


FIG. 13

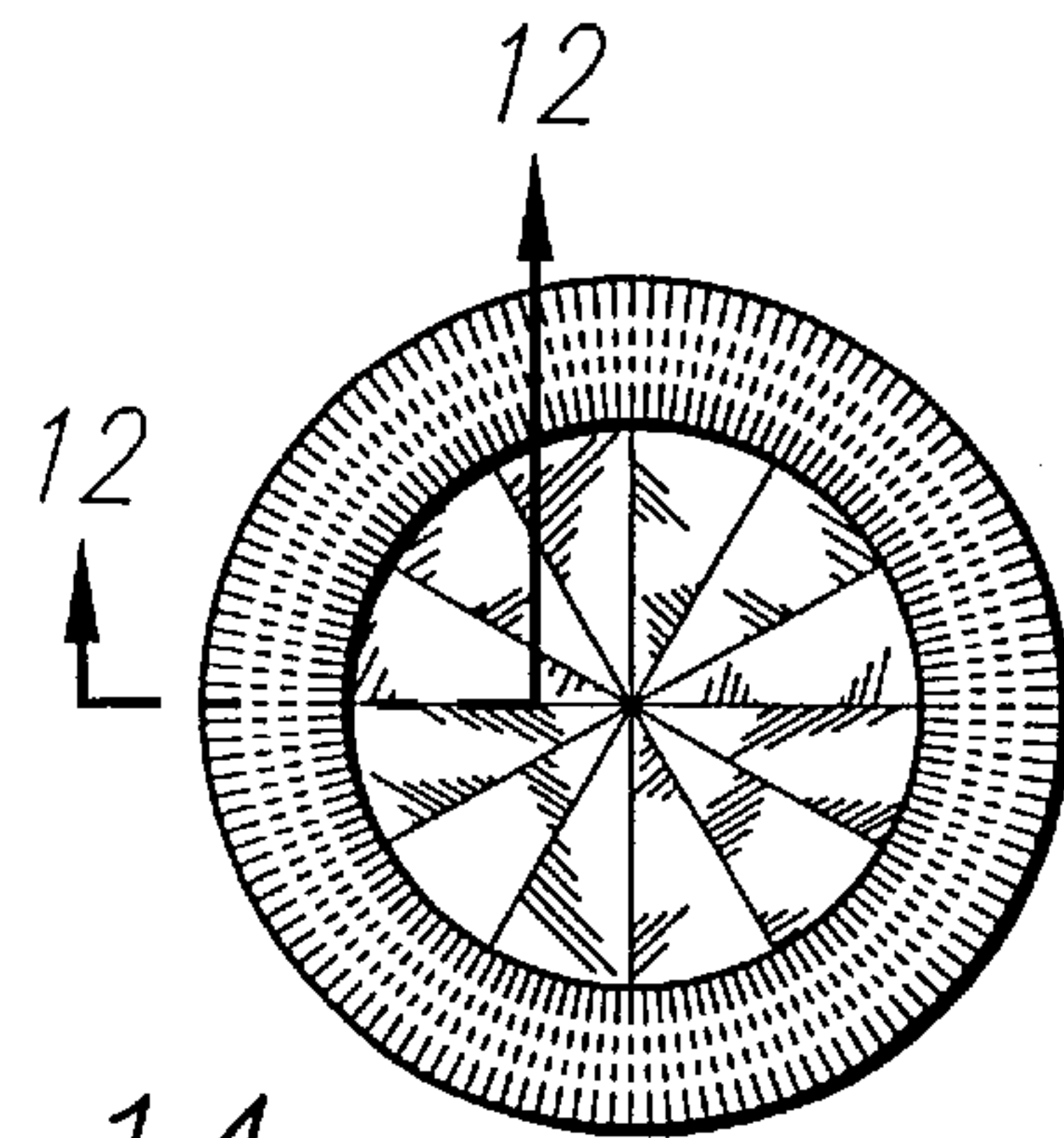


FIG. 14

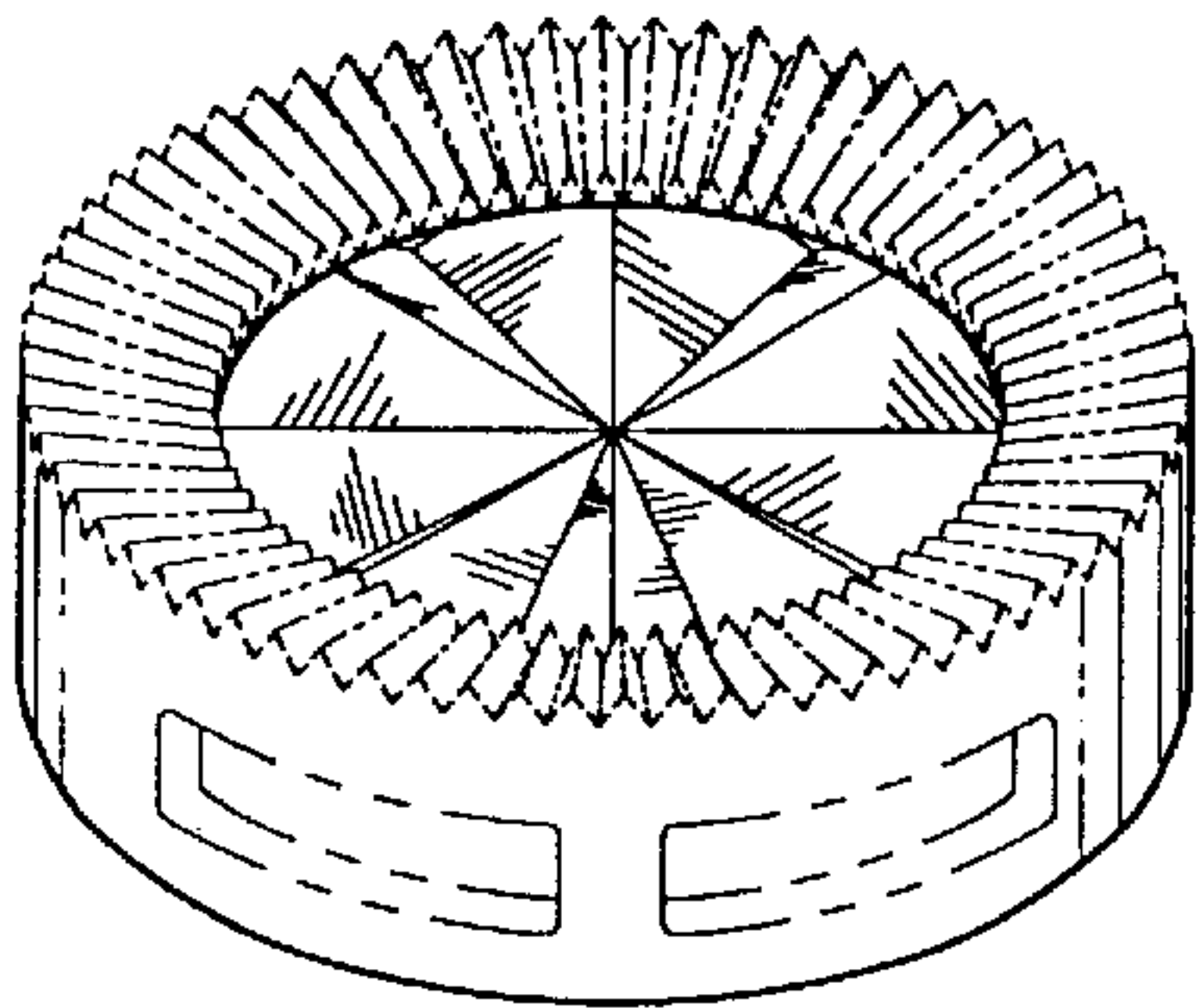


FIG. 15

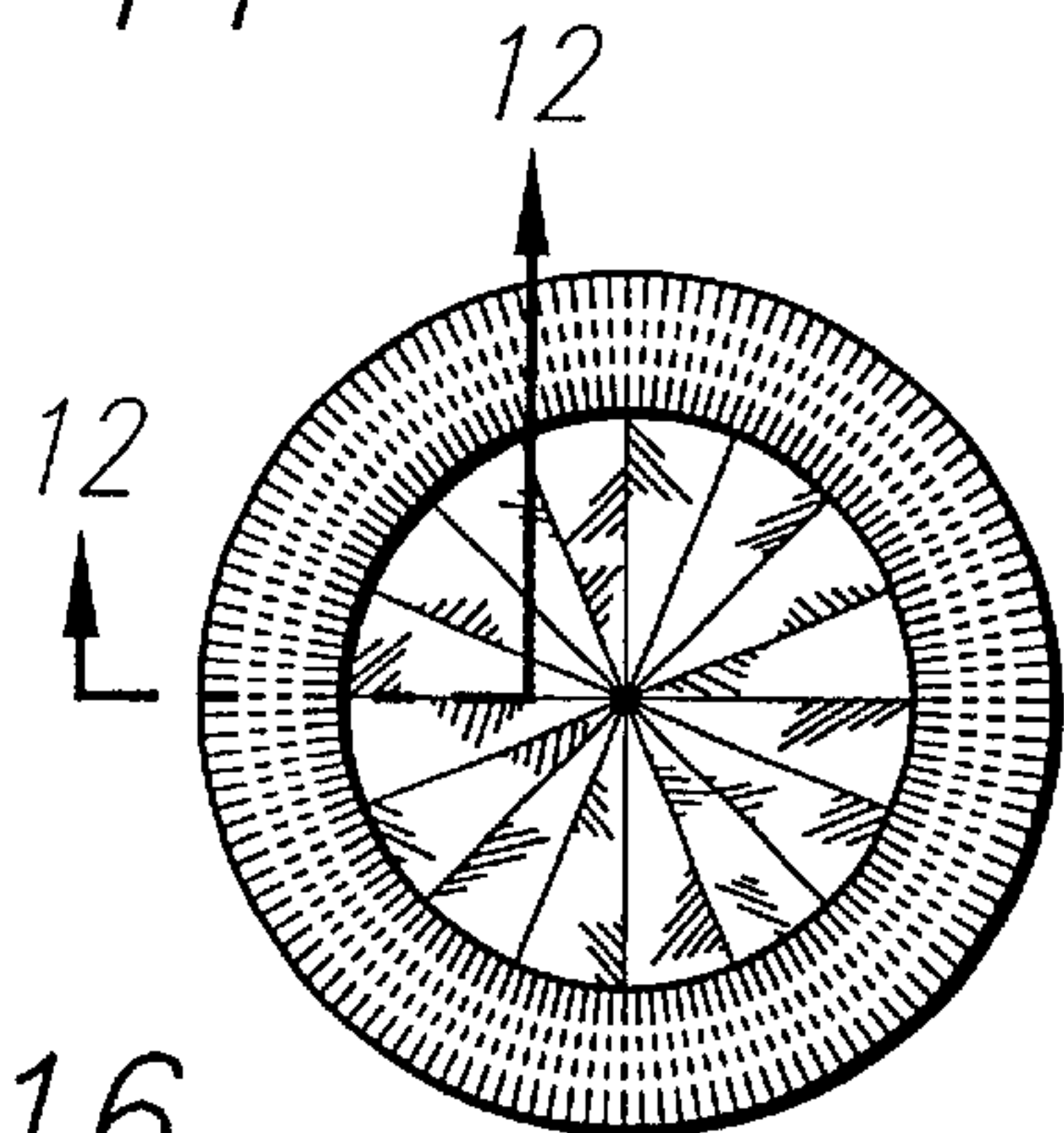


FIG. 16

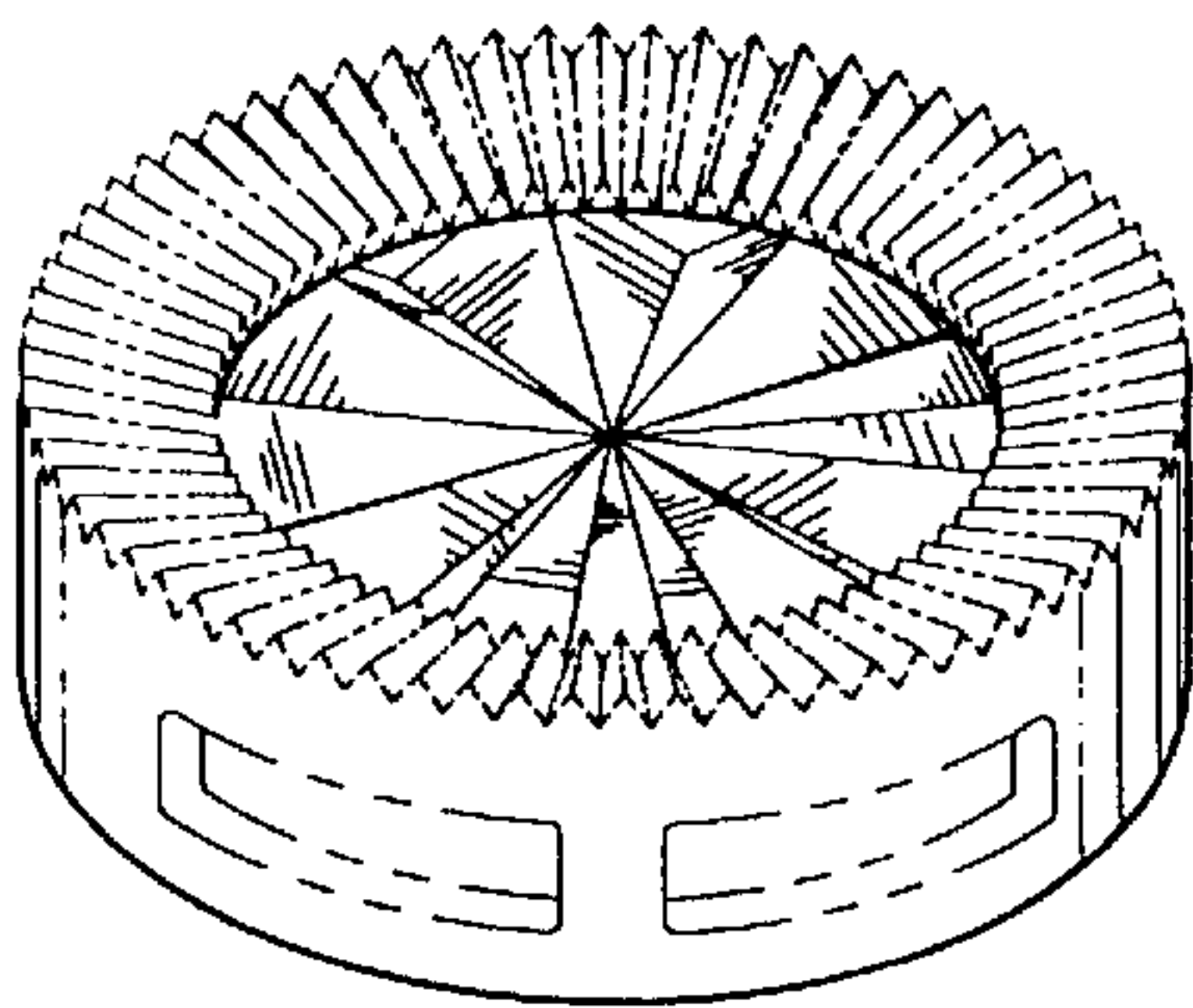


FIG. 17

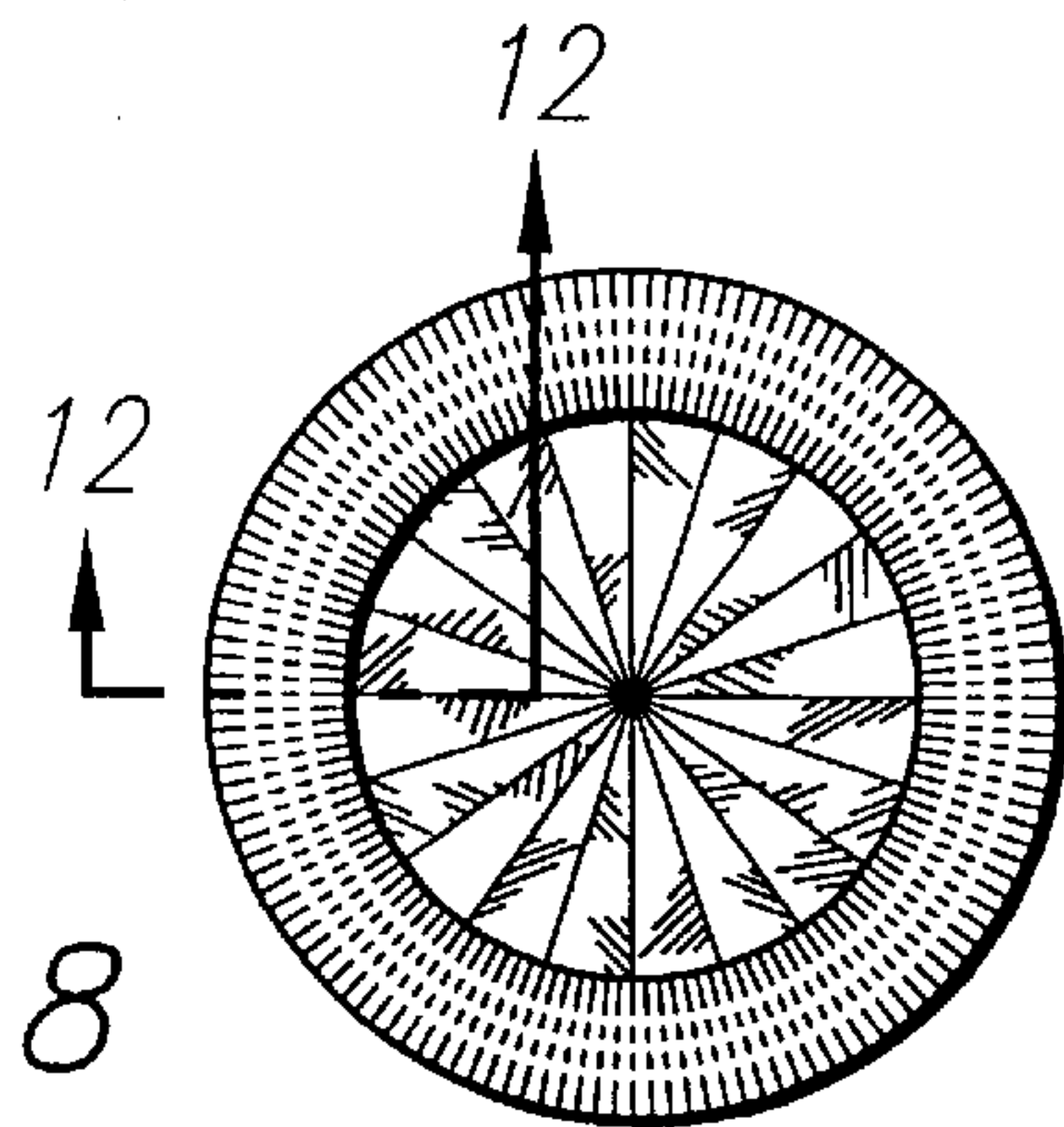


FIG. 18