



US00D468228S

(12) **United States Design Patent**  
**Gurevich**

(10) **Patent No.:** **US D468,228 S**

(45) **Date of Patent:** **\*\* \*Jan. 7, 2003**

(54) **MULTI-STONE SETTING FOR DIAMONDS AND GEMSTONES**

D403,611 S 1/1999 Lai  
D411,134 S 6/1999 Lai  
D415,062 S \* 10/1999 Wolf ..... D11/90  
D442,514 S \* 5/2001 Chan ..... D11/91

(75) Inventor: **Zelik Gurevich**, New York, NY (US)

(73) Assignee: **Orion Diamond, Inc.**, New York, NY (US)

(\* ) Notice: This patent is subject to a terminal disclaimer.

(\*\* ) Term: **14 Years**

\* cited by examiner

*Primary Examiner*—Ralf Seifert  
(74) *Attorney, Agent, or Firm*—Ezra Sutton

(21) Appl. No.: **29/118,479**

(22) Filed: **Feb. 9, 2000**

(51) **LOC (7) Cl.** ..... **11-01**

(52) **U.S. Cl.** ..... **D11/91**

(58) **Field of Search** ..... D11/1, 2, 91, 92,  
D11/34, 40, 89, 26, 27, 30, 33, 7, 8; 63/15,  
26, 27, 28, 29.1, 32

(57) **CLAIM**

The ornamental designs for a multi-stone setting for diamonds and gemstones, as shown and described.

**DESCRIPTION**

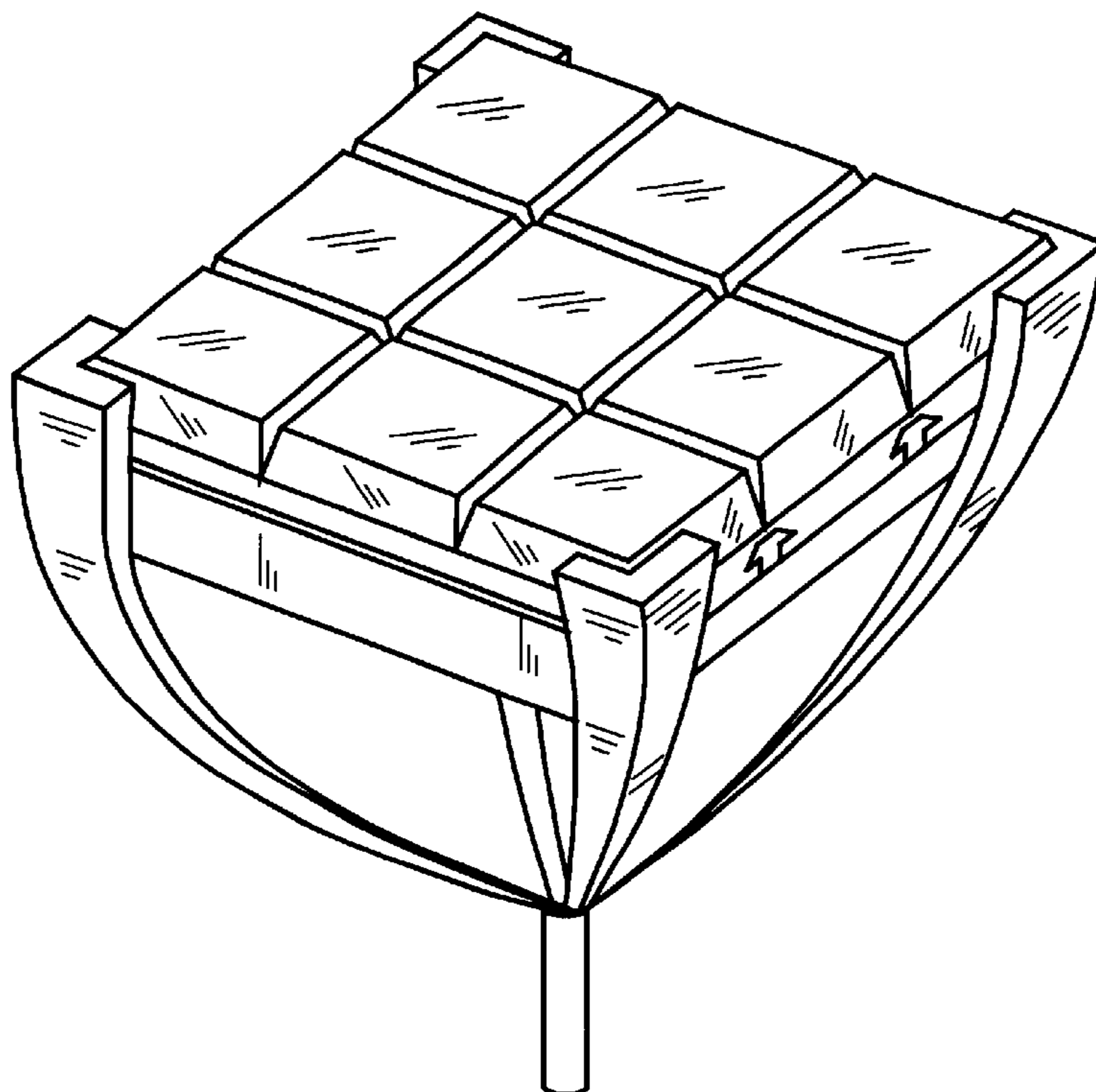
FIG. 1 is a top perspective view of a multi-stone setting for diamonds and gemstones embodying my new design; FIG. 2 is a front view thereof; the rear view being a mirror image thereof; FIG. 3 is a side view thereof, the other side view being a mirror image thereof; FIG. 4 is a top view thereof; FIG. 5 is a bottom view thereof; FIG. 6 is a top perspective view of an alternate embodiment of a multi-stone setting for diamonds and gemstones embodying my new design; FIG. 7 is a front view thereof; the rear view being a mirror image thereof; FIG. 8 is a side view thereof, the other side view being a mirror image thereof; FIG. 9 is a top view thereof; and, FIG. 10 is a bottom view thereof.

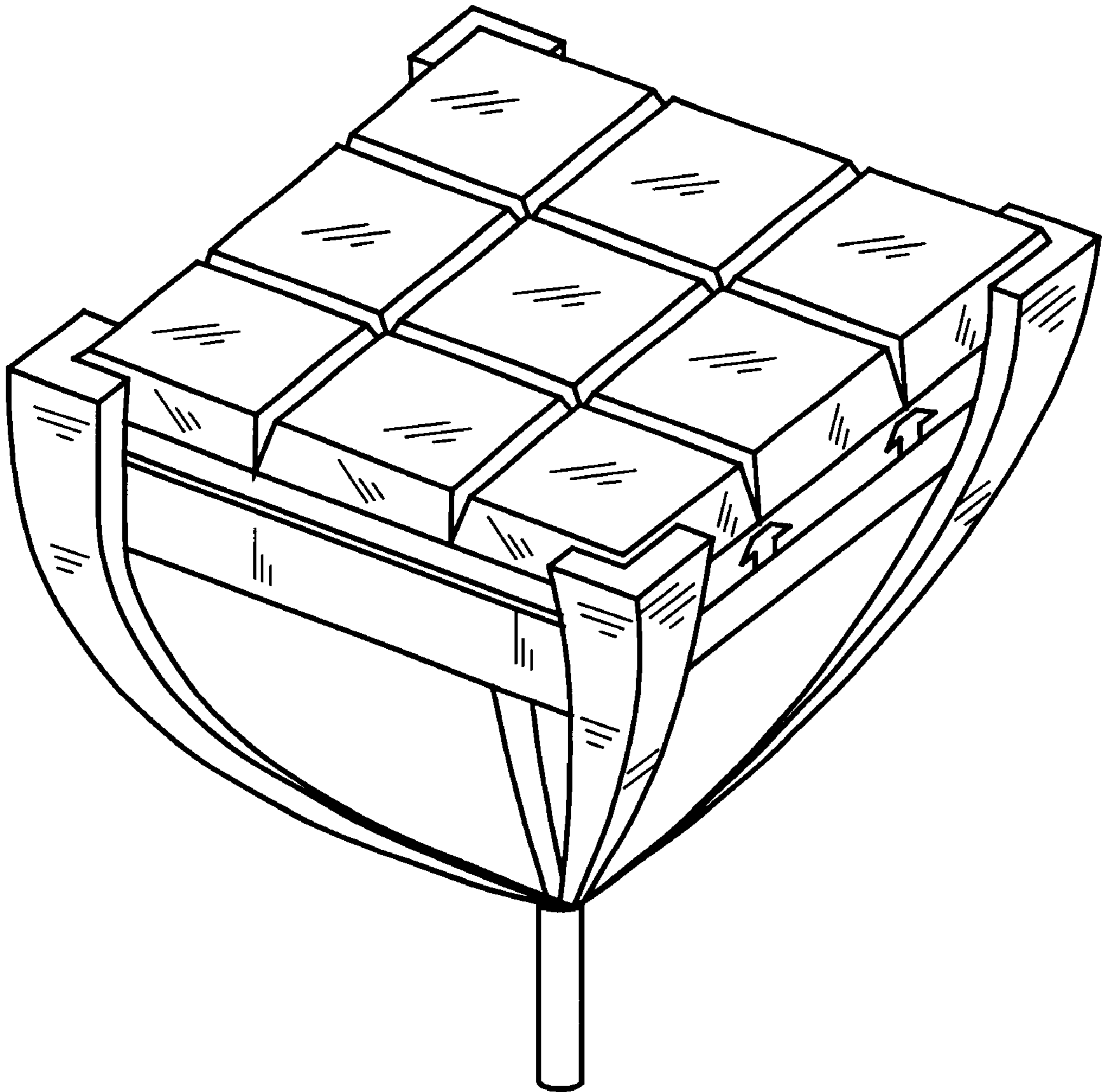
(56) **References Cited**

**U.S. PATENT DOCUMENTS**

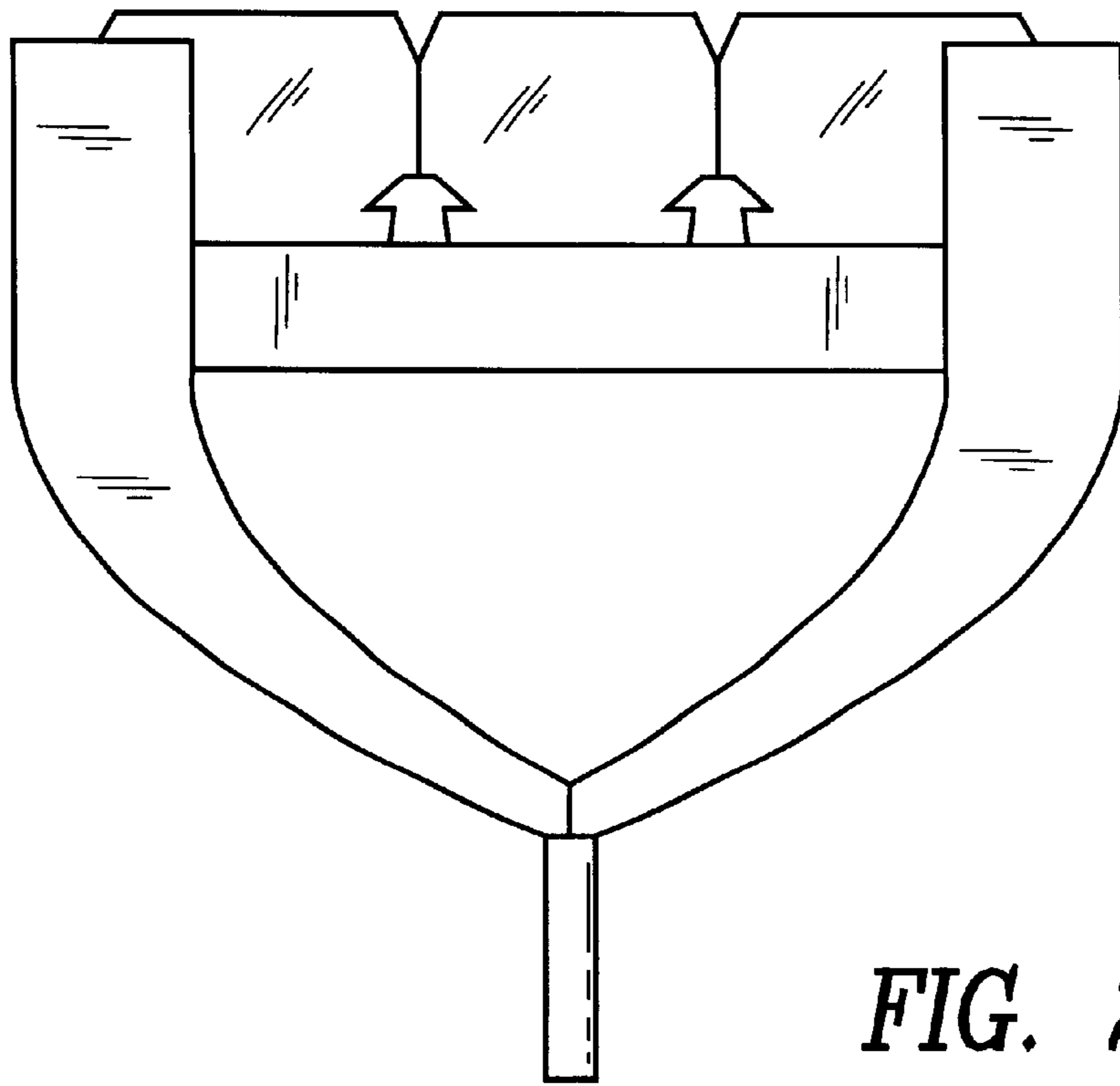
D125,113 S \* 2/1941 Roskin ..... D11/34  
5,123,265 A 6/1992 Ramot  
5,520,017 A 5/1996 Vivat  
D386,443 S 11/1997 Itzkowitz  
D387,302 S 12/1997 Itzkowitz  
D388,015 S 12/1997 Itzkowitz  
D388,016 S 12/1997 Kejejian  
D388,017 S 12/1997 Kejejian  
D400,121 S 10/1998 Ambar  
5,848,539 A 12/1998 Ouzounian

**1 Claim, 6 Drawing Sheets**

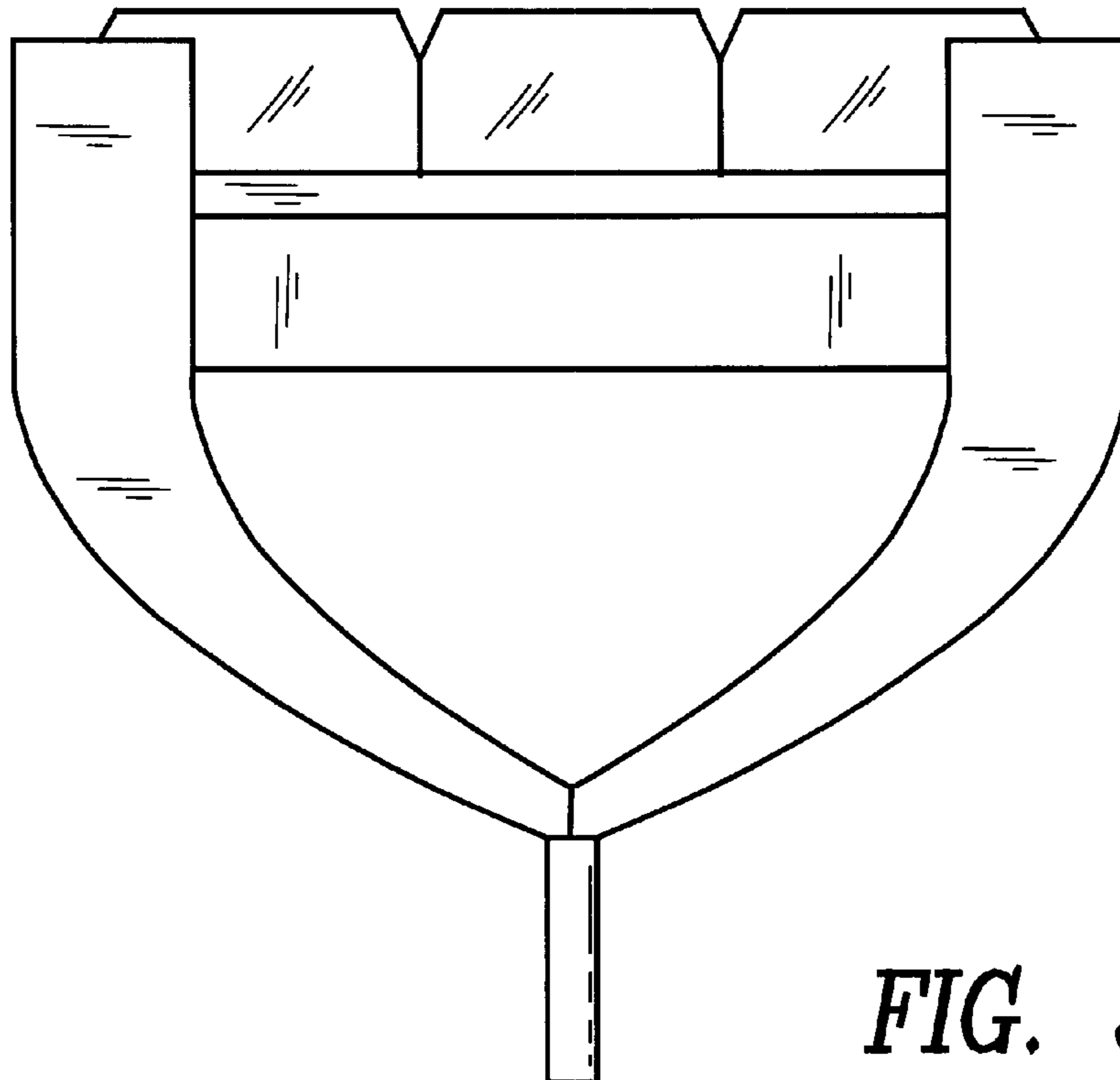




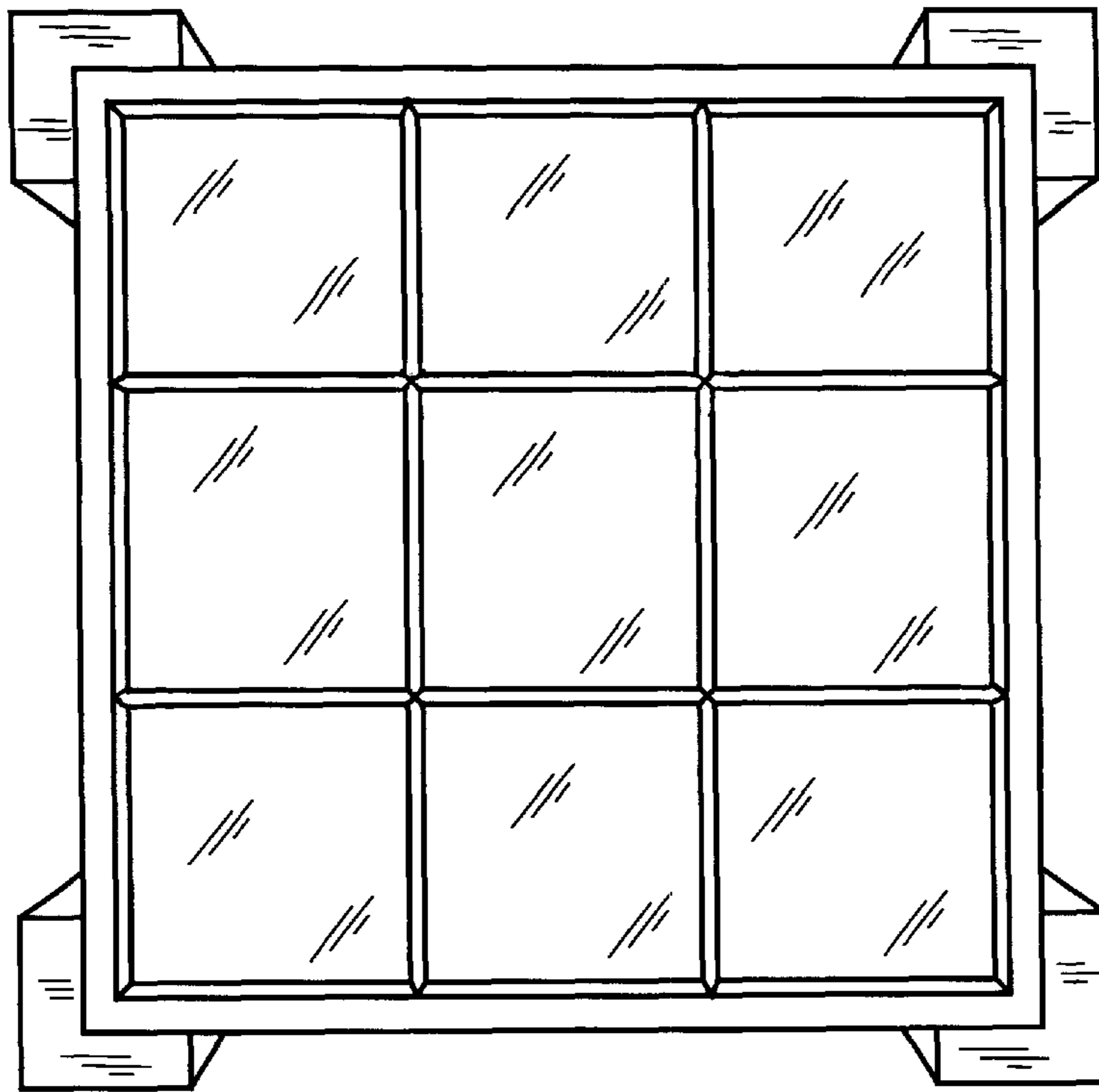
**FIG. 1**



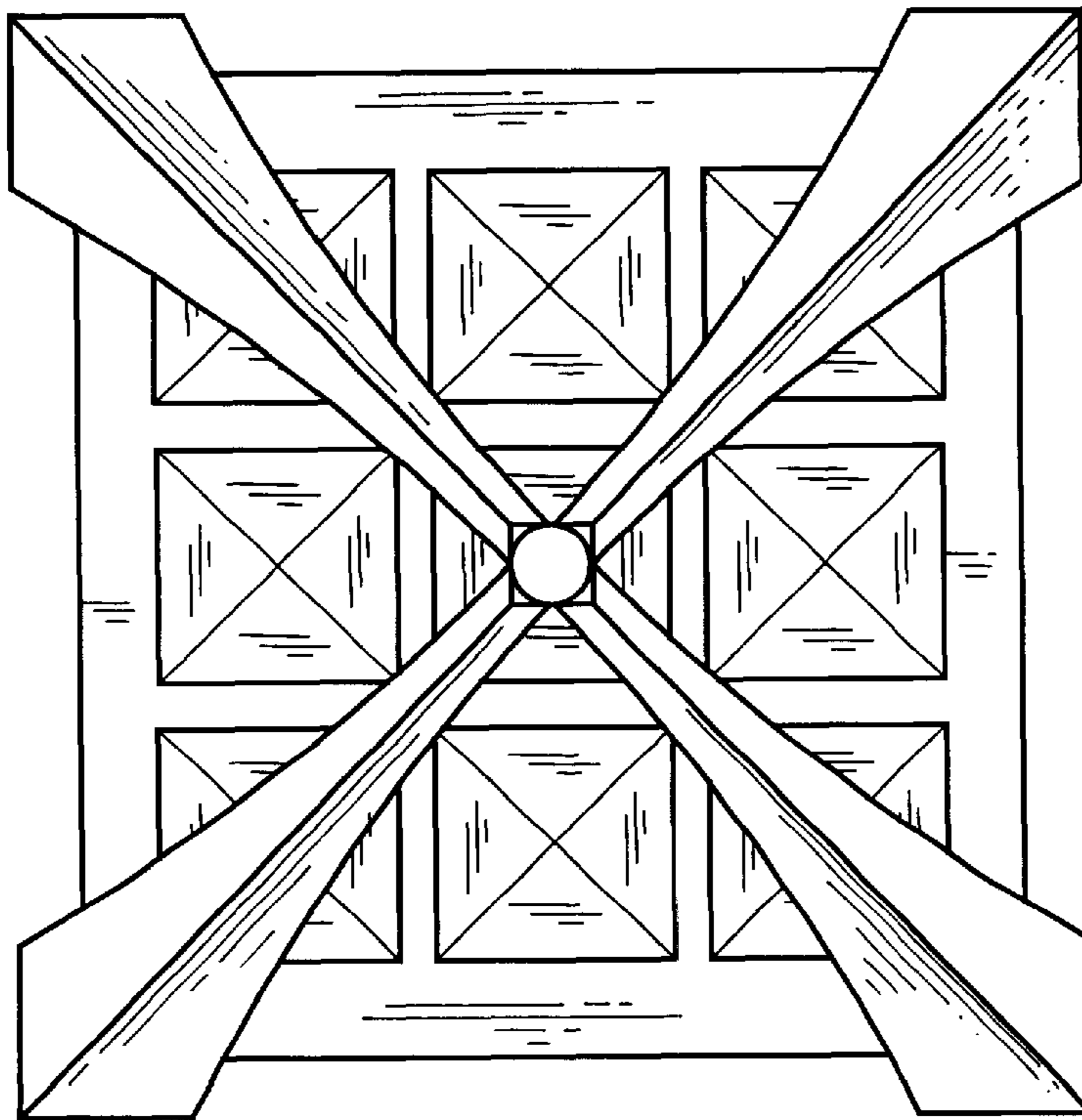
*FIG. 2*



*FIG. 3*

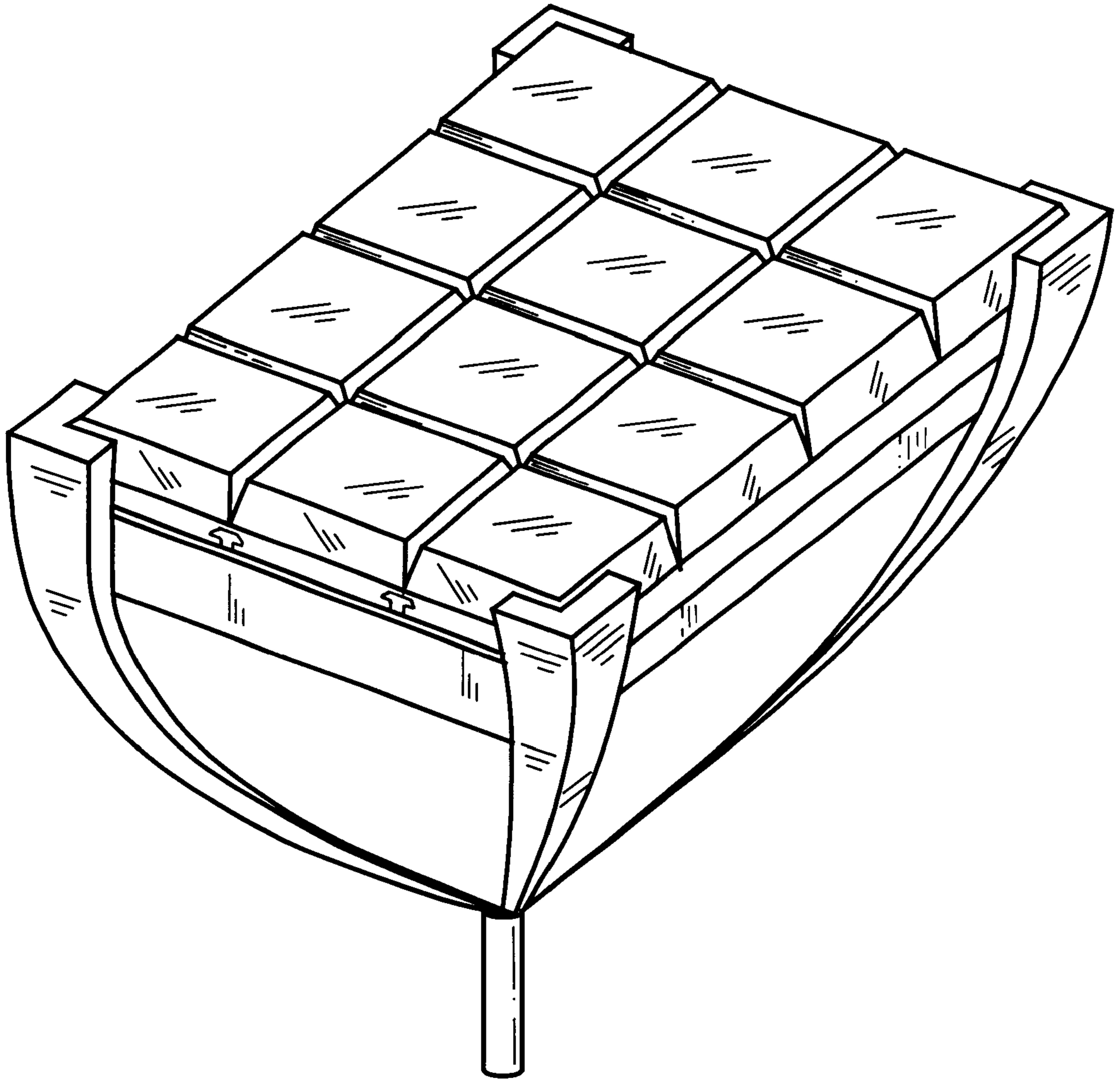


*FIG. 4*

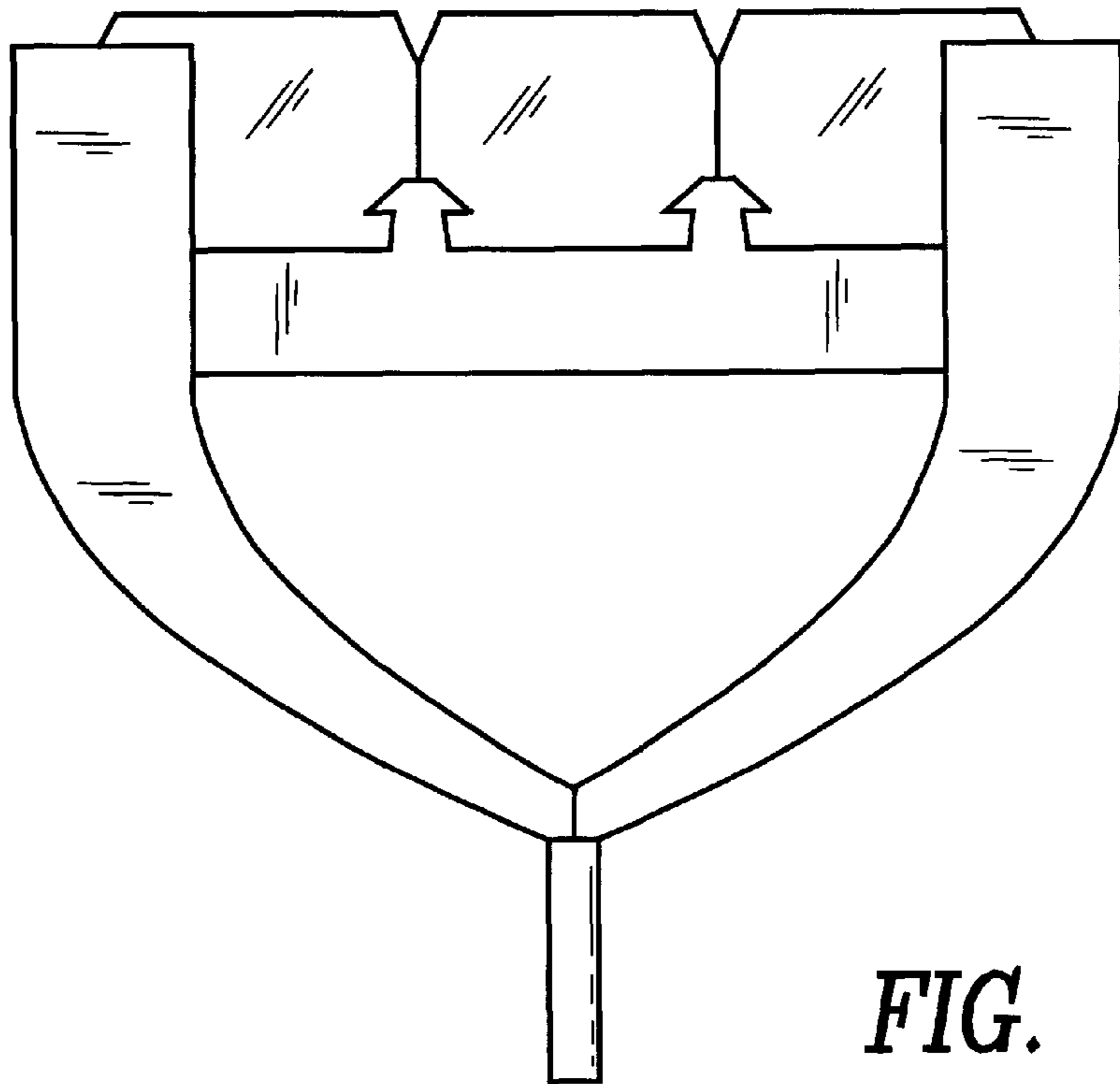


*FIG. 5*

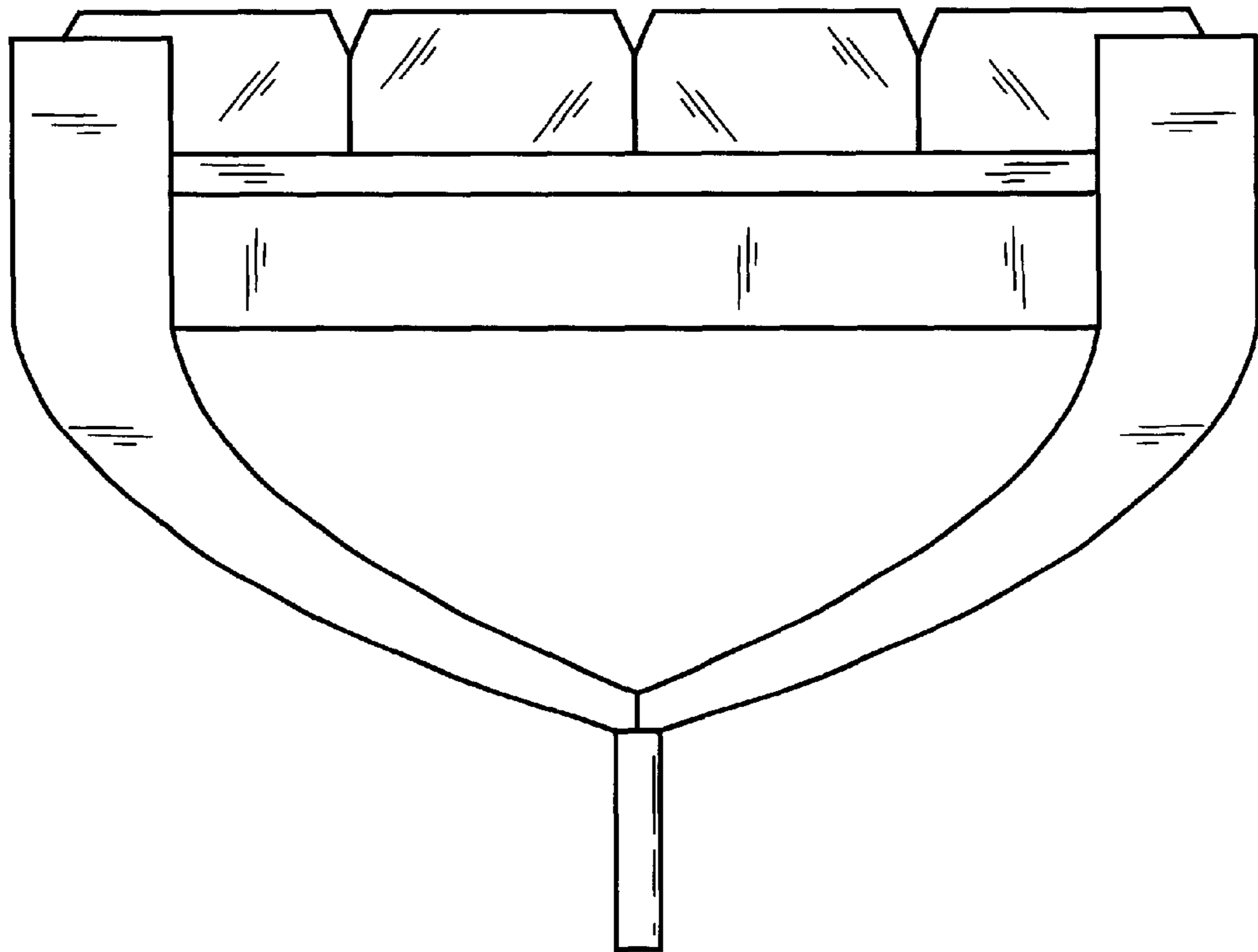




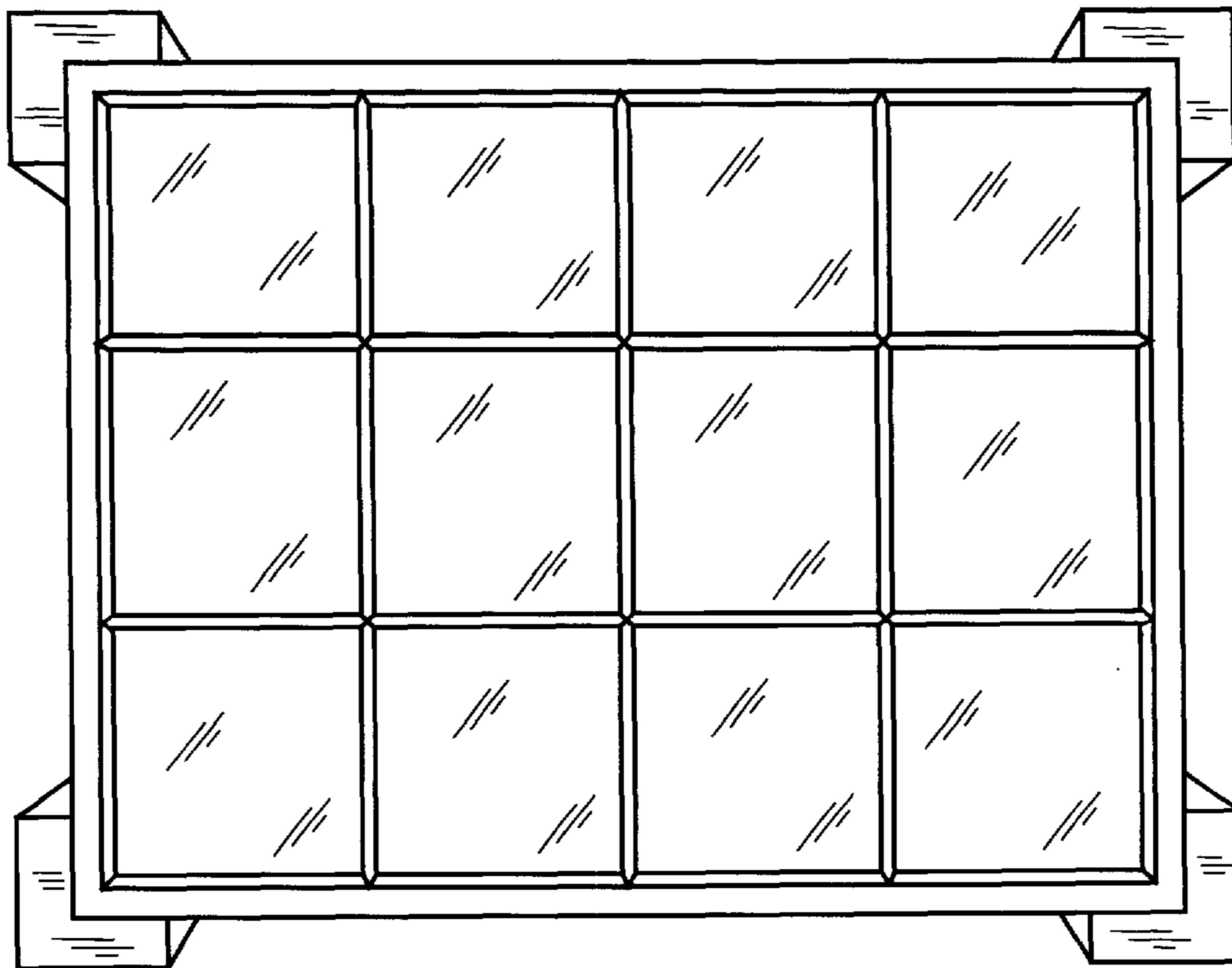
*FIG. 6*



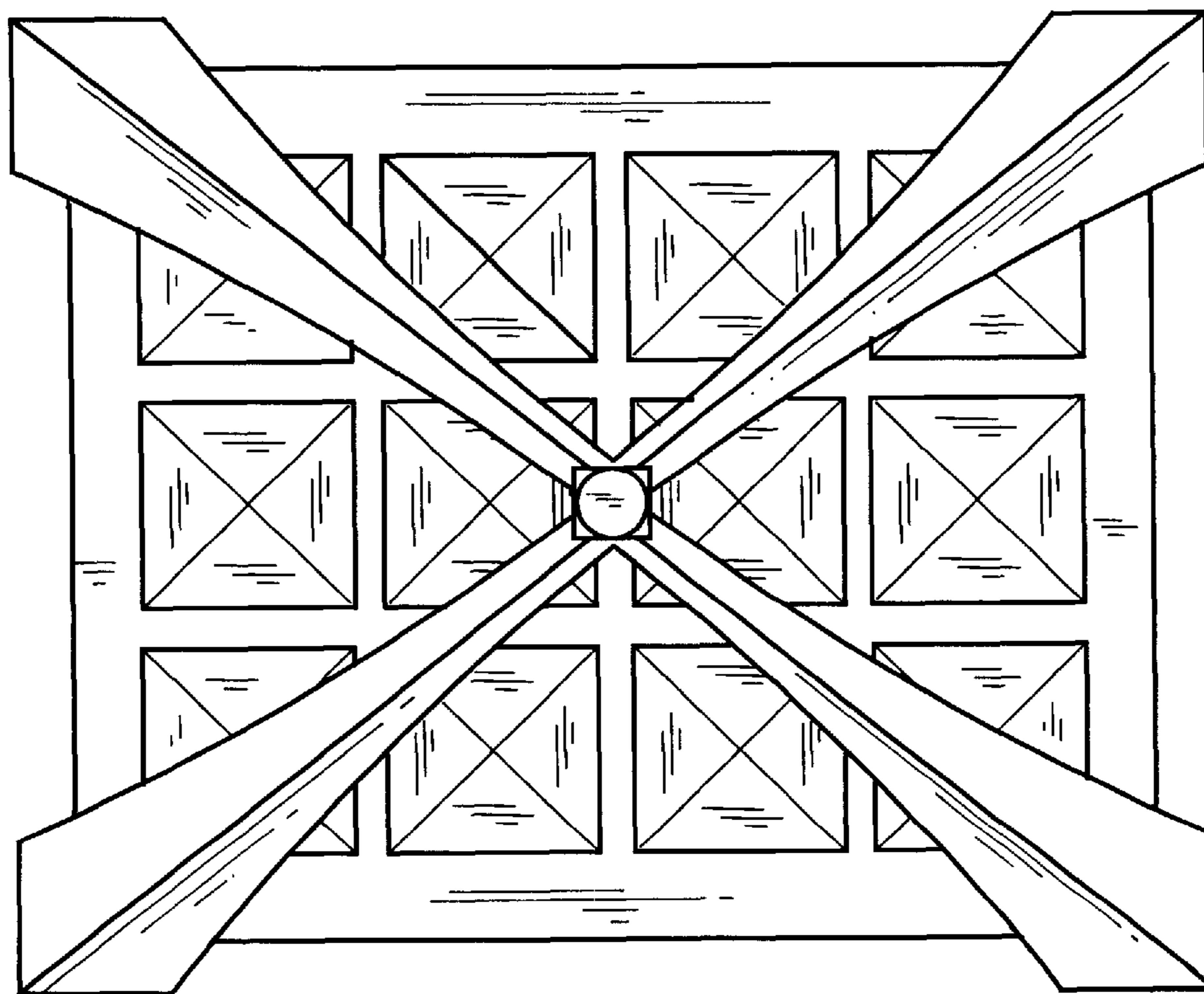
*FIG. 7*



*FIG. 8*



*FIG. 9*



*FIG. 10*