



US00D468223S

(12) **United States Design Patent**  
**Huehner**

(10) **Patent No.:** **US D468,223 S**

(45) **Date of Patent:** **\*\* Jan. 7, 2003**

(54) **ANTI-SHOPLIFTING EAS TAG HOLDER**

(75) **Inventor:** **David K. Huehner, Kent, OH (US)**

(73) **Assignee:** **Alpha Security Products, Inc., North Canton, OH (US)**

(\*\*) **Term:** **14 Years**

(21) **Appl. No.:** **29/148,890**

(22) **Filed:** **Sep. 26, 2001**

(51) **LOC (7) Cl. .... 10-04**

(52) **U.S. Cl. .... D10/104**

(58) **Field of Search ..... D10/104, 106;**  
**340/572.1-572.8, 686.6, 568.2-568.8, 571,**  
**539**

- 4,649,397 A 3/1987 Heateon et al.
- 4,651,136 A 3/1987 Anderson et al.
- 4,670,950 A 6/1987 Wisecup et al.
- 4,685,234 A 8/1987 Anderson et al.
- 4,695,845 A 9/1987 Hildt
- 4,722,119 A 2/1988 Green
- 4,751,500 A 6/1988 Minasy et al.
- 4,774,503 A 9/1988 Bussard
- 4,774,504 A 9/1988 Hartings
- 4,847,592 A 7/1989 Hogen Esch et al.
- 4,903,383 A 2/1990 Gartshore
- 4,940,968 A 7/1990 De Nood
- 4,944,075 A 7/1990 Hogan

(List continued on next page.)

*Primary Examiner*—Antoine Duval Davis

(74) *Attorney, Agent, or Firm*—Sand & Sebolt

(57) **CLAIM**

The ornamental design for an anti-shoplifting EAS tag holder, as shown and described.

**DESCRIPTION**

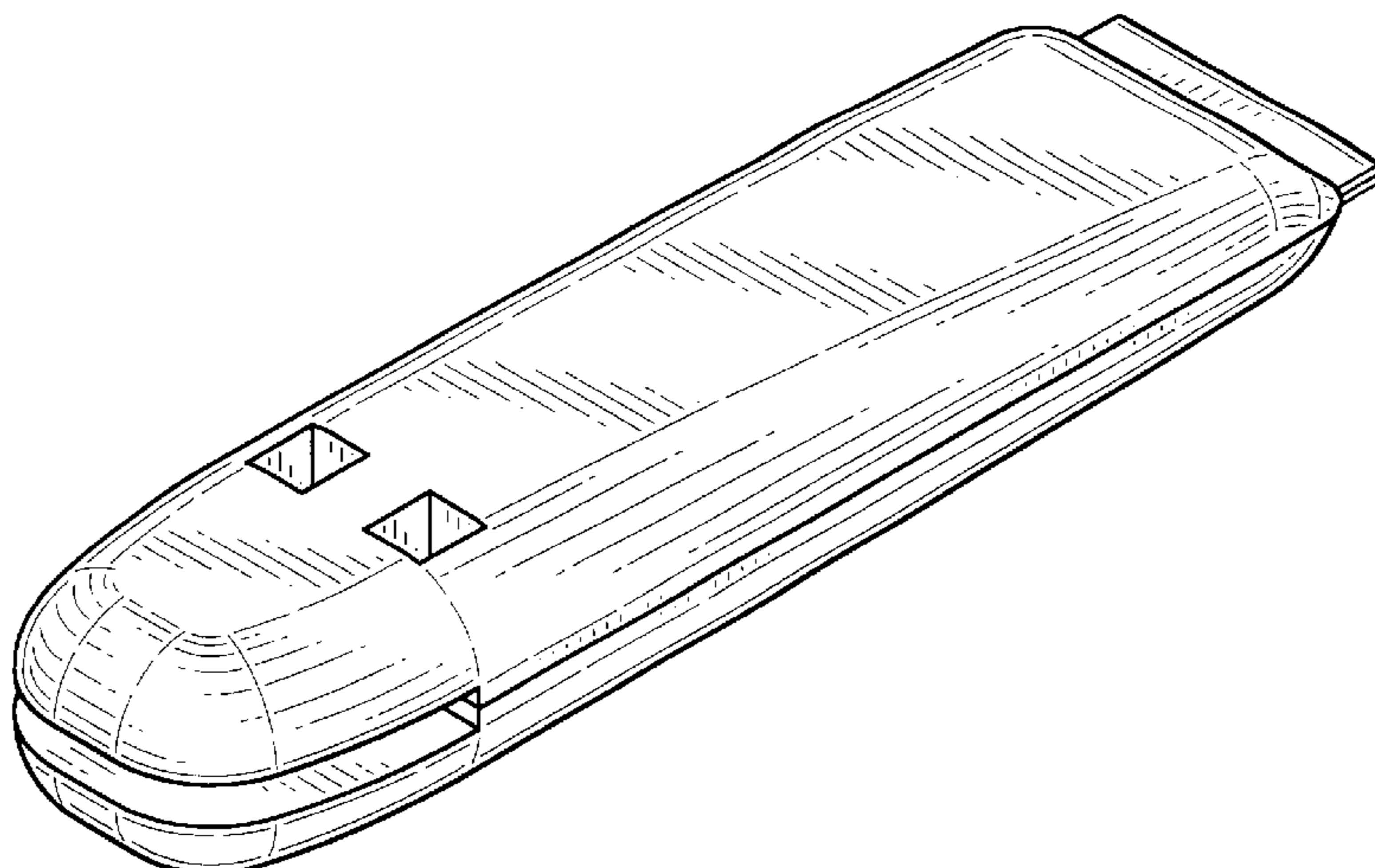
FIG. 1 is a perspective view of a first embodiment of the anti-shoplifting EAS tag holder showing my new design. FIG. 2 is a top plan view of FIG. 1. FIG. 3 is a side elevation view of FIG. 1. FIG. 4 is a front elevation view of FIG. 1. FIG. 5 is a rear elevation view of FIG. 1. FIG. 6 is a perspective view of a second embodiment of the anti-shoplifting EAS tag holder showing my new design. FIG. 7 is a top plan view of FIG. 6. FIG. 8 is a side elevation view of FIG. 6. FIG. 9 is a front elevation view of FIG. 6. FIG. 10 is a rear elevation view of FIG. 6. FIG. 11 is a perspective view of a third embodiment of an anti-shoplifting EAS tag holder showing my new design. FIG. 12 is a top plan view of FIG. 11. FIG. 13 is a side elevation view of FIG. 11. FIG. 14 is a front elevation view of FIG. 11; and, FIG. 15 is a rear elevation view of FIG. 11.

**1 Claim, 3 Drawing Sheets**

(56) **References Cited**

**U.S. PATENT DOCUMENTS**

- 3,858,280 A 1/1975 Martens
- 3,911,534 A 10/1975 Martens et al.
- 3,914,829 A 10/1975 Paskert
- 3,932,918 A 1/1976 Paskert
- 3,942,829 A 3/1976 Humble et al.
- 3,947,930 A 4/1976 Martens et al.
- 3,974,581 A 8/1976 Martens et al.
- 3,995,900 A 12/1976 Humble et al.
- 4,000,543 A 1/1977 Paskert
- 4,012,813 A 3/1977 Martens et al.
- 4,103,295 A 7/1978 Doerre
- 4,104,622 A 8/1978 Van Niel
- 4,187,509 A 2/1980 Weiner
- 4,196,424 A 4/1980 Williamson
- 4,221,025 A 9/1980 Martens et al.
- 4,299,870 A 11/1981 Humble
- 4,311,992 A 1/1982 DeChant
- 4,380,097 A 4/1983 Keifer
- 4,483,049 A 11/1984 Gustavsson et al.
- 4,502,717 A 3/1985 Close
- 4,523,356 A 6/1985 Charlot, Jr.
- 4,531,264 A 7/1985 Minasy
- 4,590,461 A 5/1986 Cooper
- 4,603,453 A 8/1986 Yokoyama



# US D468,223 S

Page 2

U.S. PATENT DOCUMENTS					
4,987,754 A	1/1991	Minasy et al.	5,524,463 A	6/1996	Schenkel et al.
4,991,413 A	2/1991	Arnaldo	5,528,914 A	6/1996	Nguyen et al.
4,993,245 A	2/1991	Ott	5,535,606 A	7/1996	Nguyen et al.
5,022,244 A	6/1991	Charlot, Jr.	RE35,361 E	10/1996	Hogan et al.
5,031,287 A	7/1991	Charlot, Jr. et al.	5,572,191 A	11/1996	Lundberg
5,054,172 A	10/1991	Hogan et al.	5,600,977 A	2/1997	Piron
5,068,641 A	11/1991	Hogen Esch	5,647,106 A	7/1997	Hogan
5,069,047 A	12/1991	Lynch et al.	5,655,392 A	8/1997	Holmgren
5,077,872 A	1/1992	Guthammar	5,680,681 A	10/1997	Fuss
5,079,540 A	1/1992	Narlow et al.	5,745,965 A	5/1998	Stoltz et al.
5,088,165 A	2/1992	Minasy et al.	5,791,079 A	8/1998	Mazzucchelli
5,099,228 A *	3/1992	Isreal et al. .... 340/539	5,841,349 A	11/1998	Holmgren
5,140,836 A	8/1992	Hogan et al.	5,852,856 A	12/1998	Seidel
5,144,820 A	9/1992	Holmgren	5,942,978 A	8/1999	Shafer
5,205,024 A	4/1993	Willard	5,953,799 A	9/1999	Seidel
5,208,580 A	5/1993	Crossfield	5,955,951 A	9/1999	Wischerop et al.
5,275,122 A	1/1994	Stolz et al.	5,969,614 A	10/1999	Holmgren
5,309,740 A	5/1994	Hansen	6,023,951 A	2/2000	Maurer et al.
5,367,289 A	11/1994	Baro et al.	6,029,322 A	2/2000	Belotti et al.
D353,115 S *	12/1994	Garner et al. .... D10/104	6,052,876 A	4/2000	Hogan et al.
5,388,433 A	2/1995	Andersson et al.	D424,462 S *	5/2000	Suzuki et al. .... D10/104
5,392,620 A	2/1995	Stolz et al.	6,137,413 A	10/2000	Ryan, Jr.
5,426,419 A	6/1995	Nguyen et al.	6,182,352 B1 *	2/2001	Deschenes et al. .... 340/572.8
5,428,875 A	7/1995	Nguyen et al.	6,188,320 B1	2/2001	Kolton et al.
5,437,172 A	8/1995	Lamy et al.	6,226,839 B1	5/2001	Sayegh
5,438,738 A	8/1995	Stolz et al.	6,255,950 B1	7/2001	Nguyen
5,497,639 A	3/1996	Charlot, Jr.			

\* cited by examiner

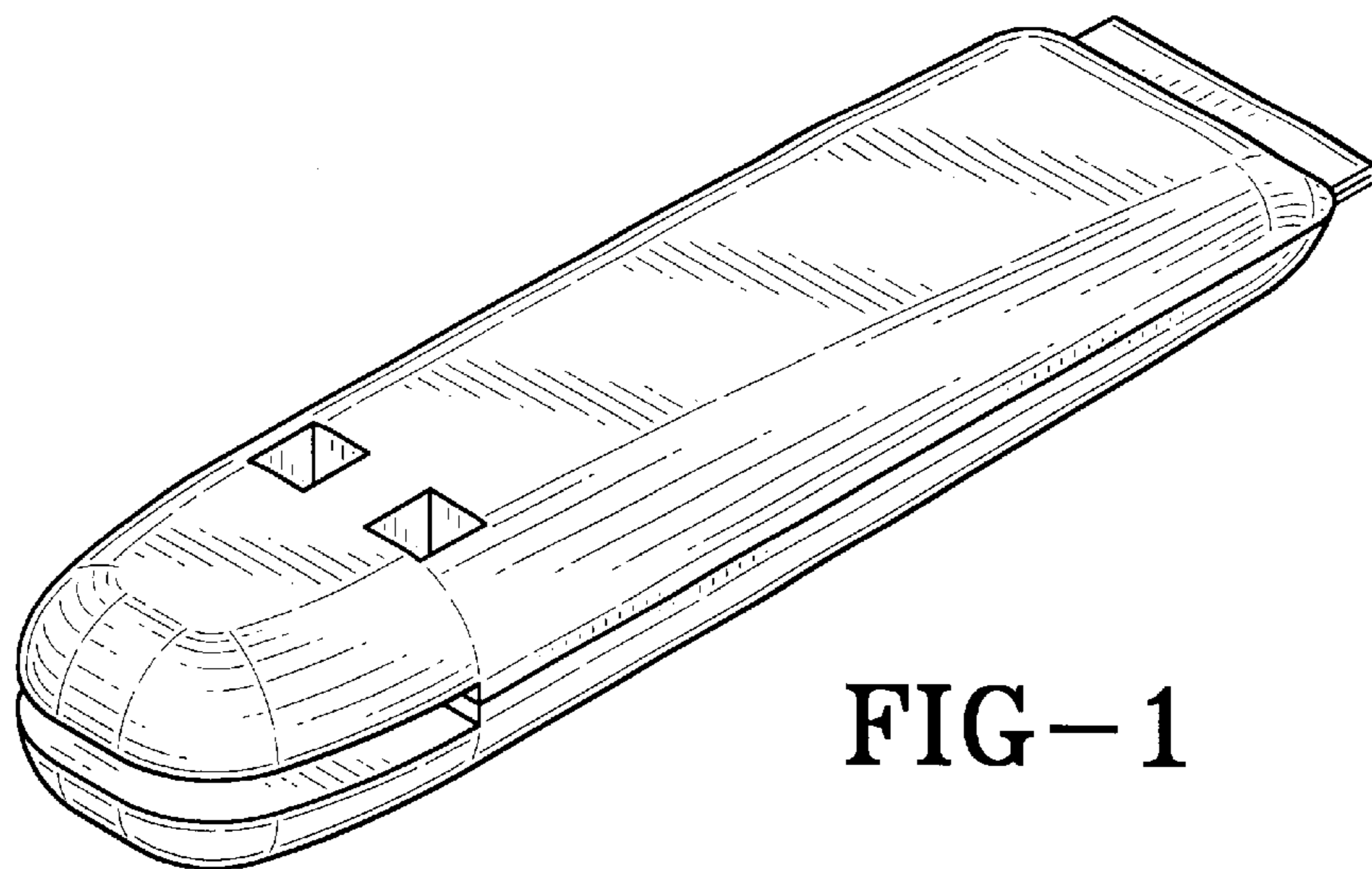


FIG-1

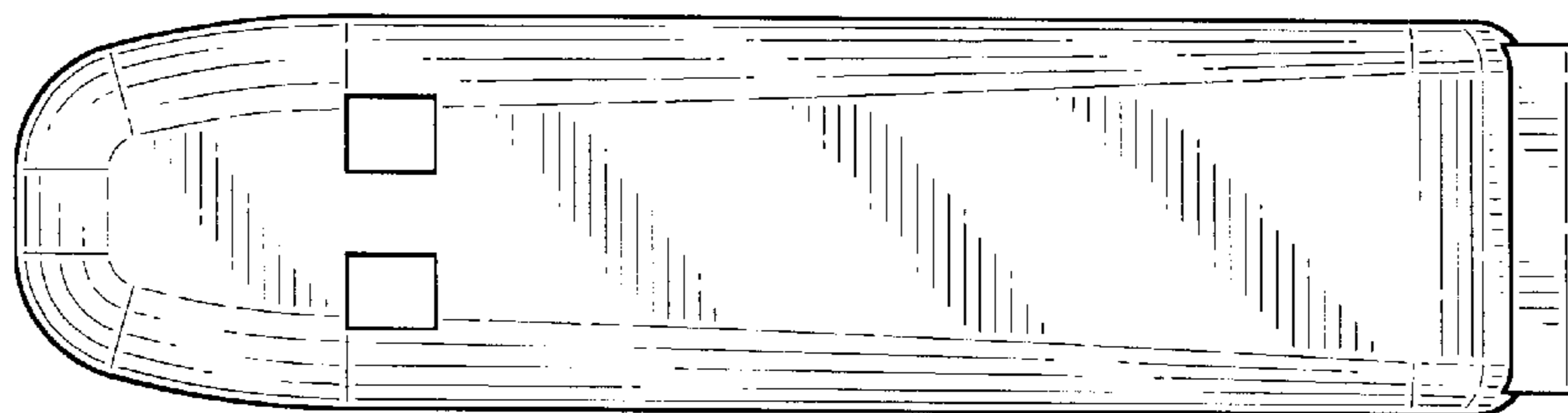


FIG-2

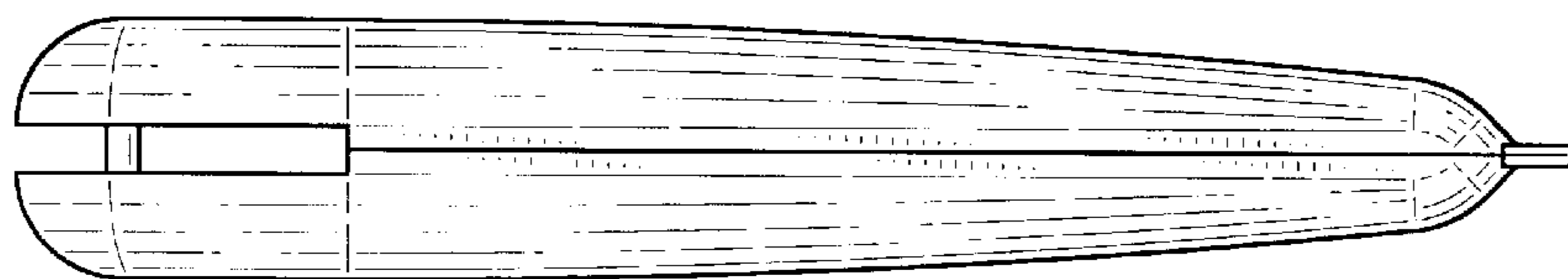


FIG-3

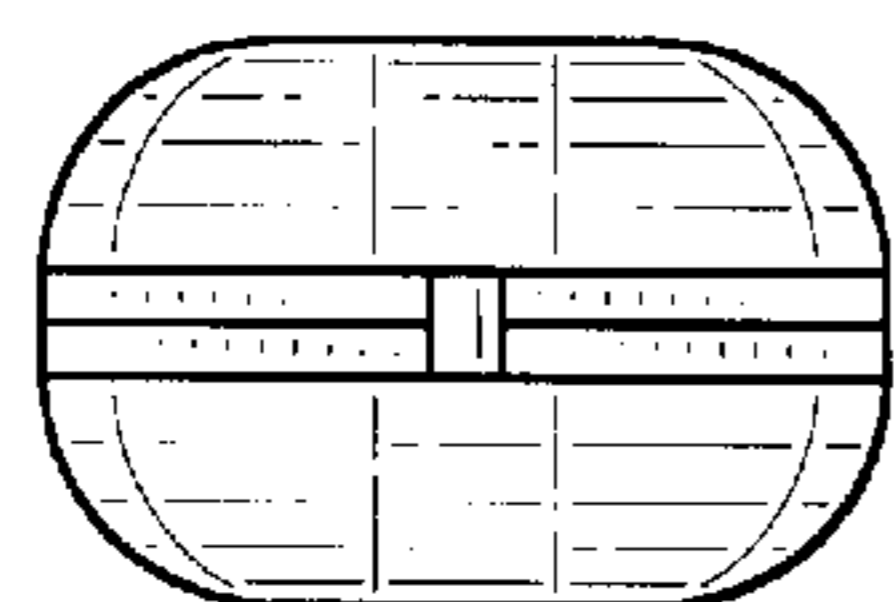


FIG-4



FIG-5

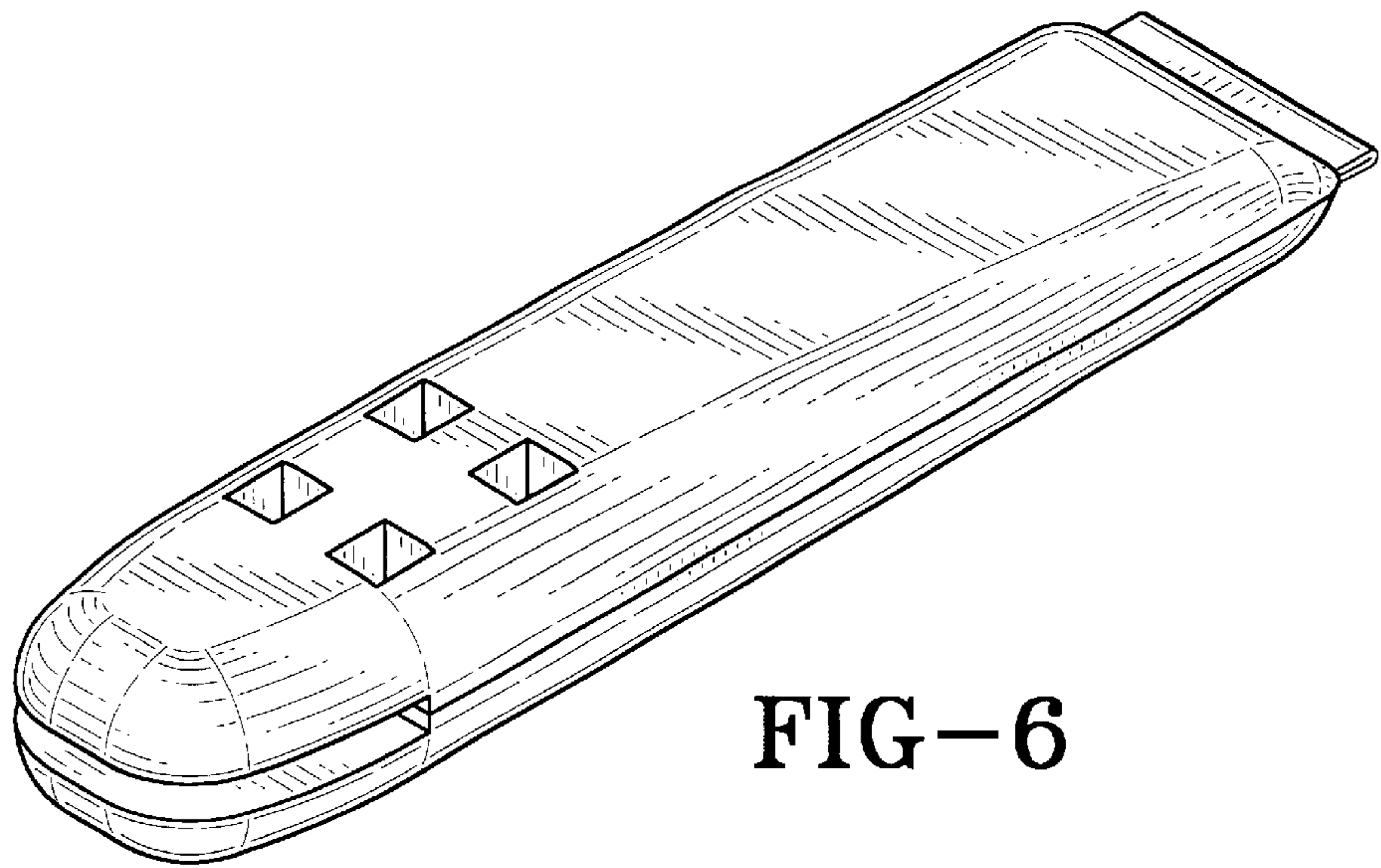


FIG-6

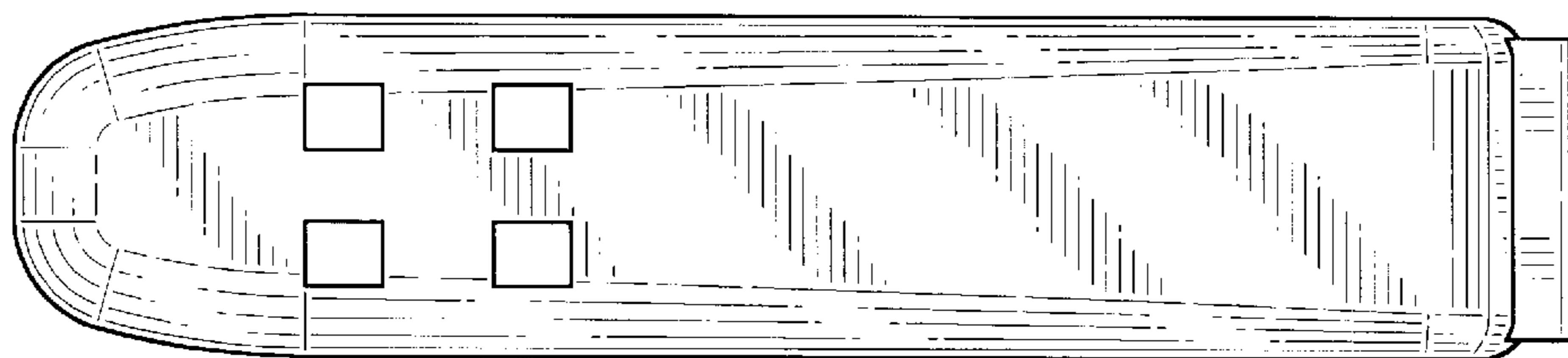


FIG-7

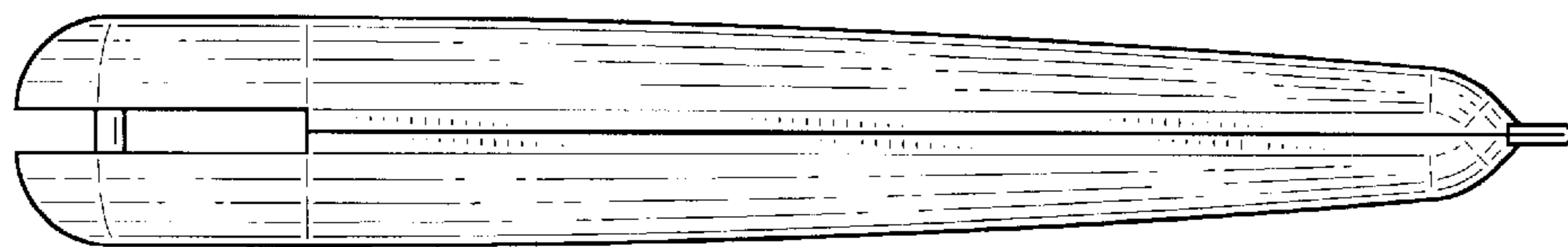


FIG-8

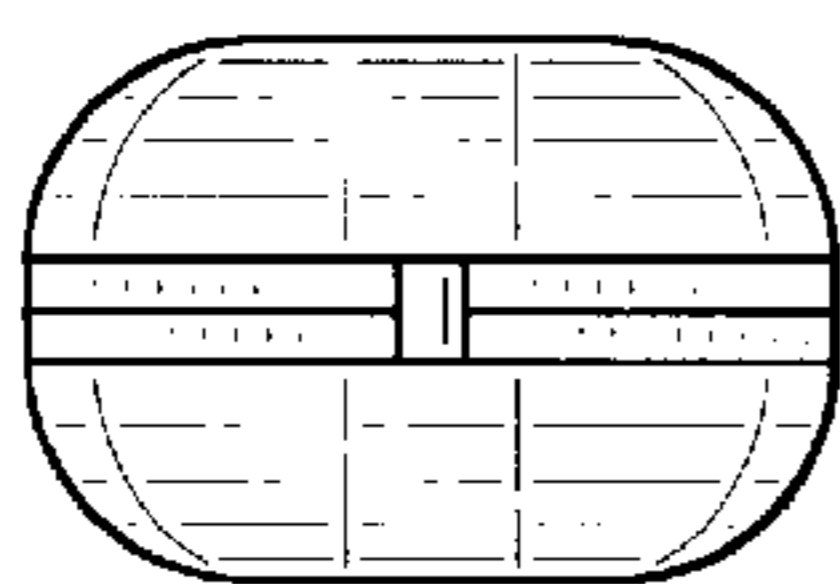


FIG-9



FIG-10

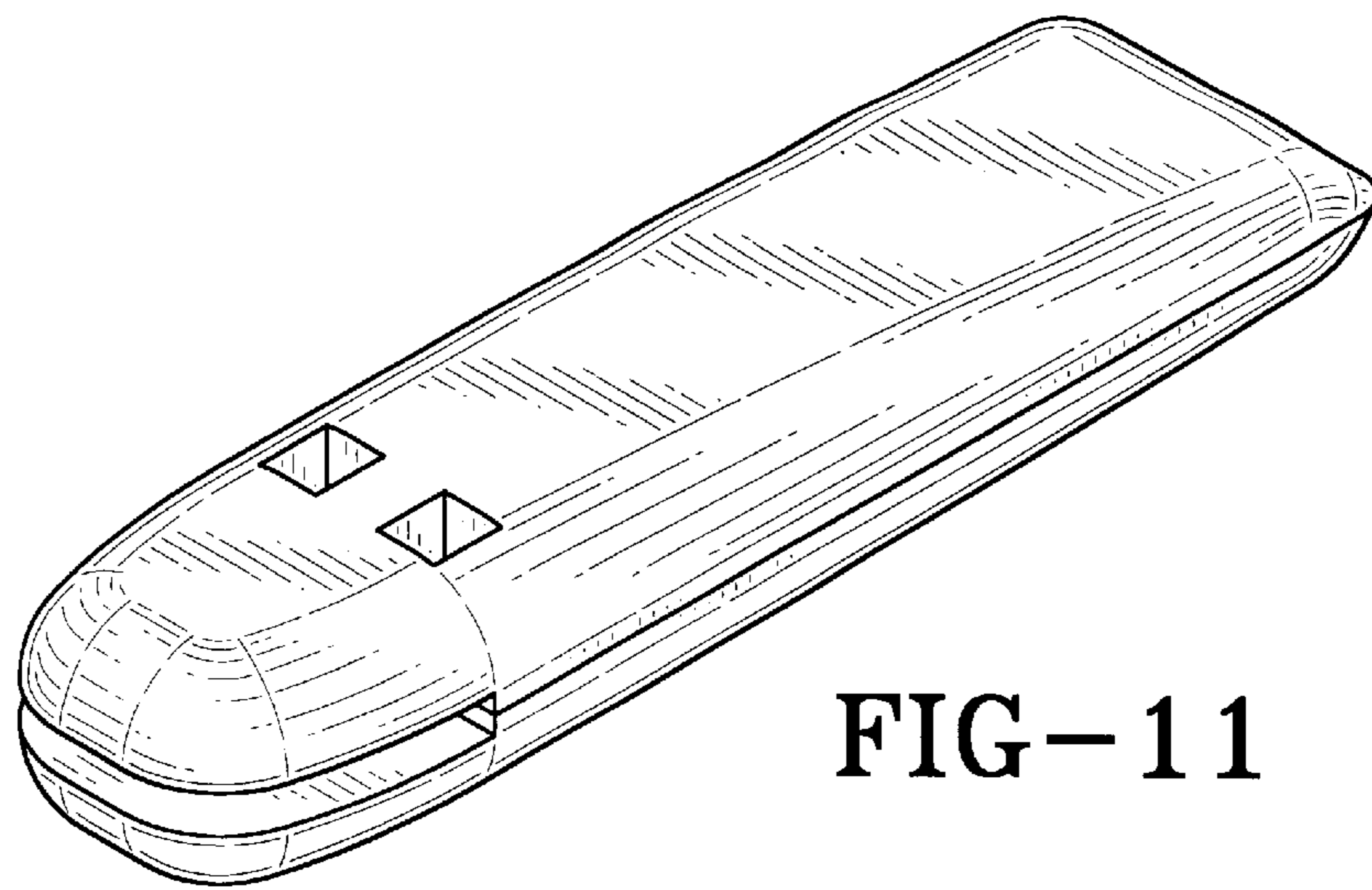


FIG-11

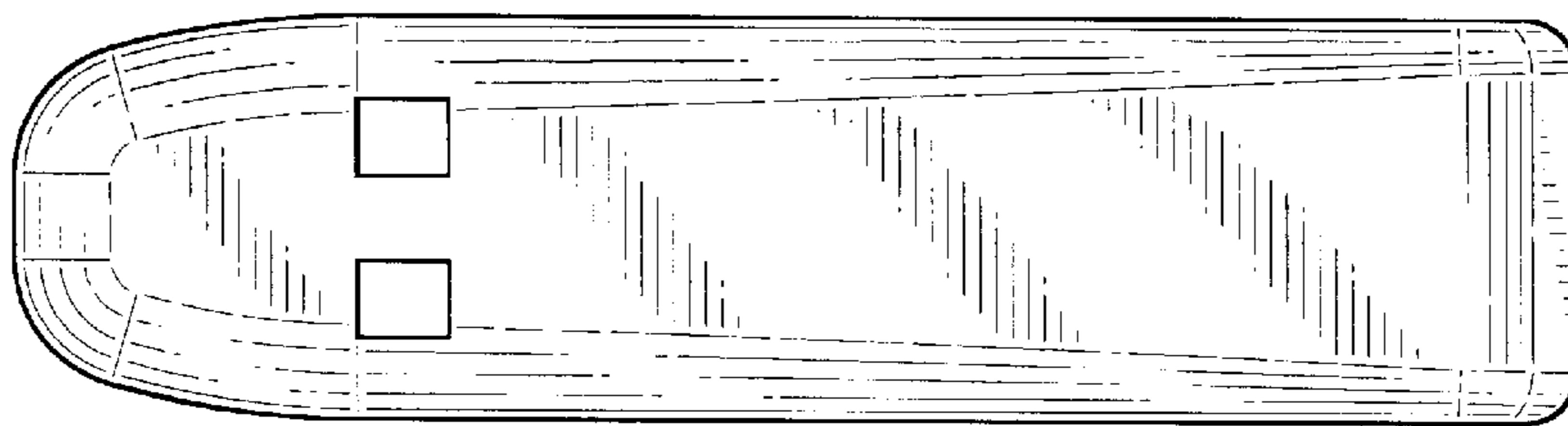


FIG-12

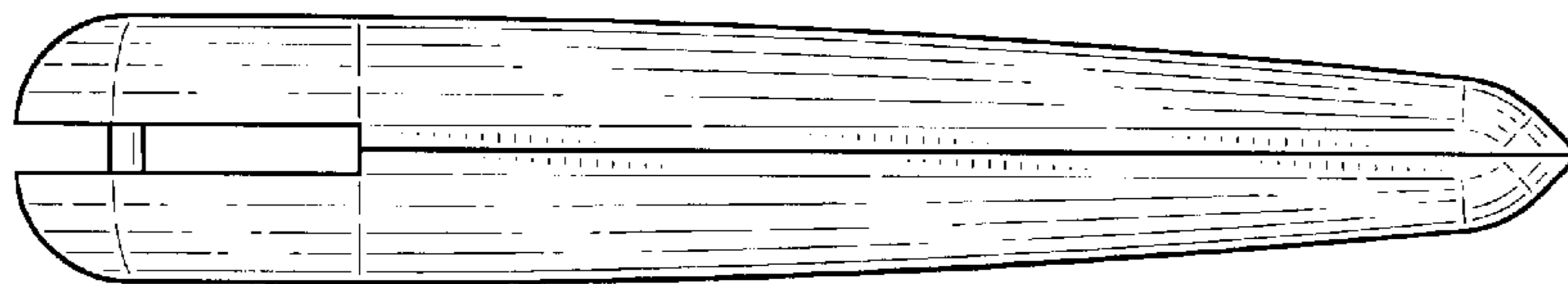


FIG-13

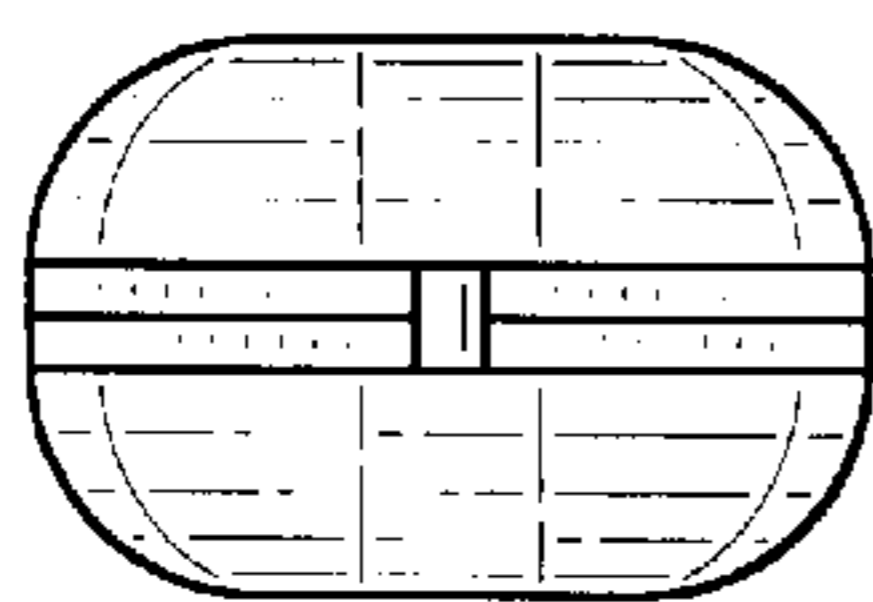


FIG-14



FIG-15