



US00D468222S

(12) **United States Design Patent**  
**Koch et al.**

(10) **Patent No.:** **US D468,222 S**

(45) **Date of Patent:** **\*\* Jan. 7, 2003**

(54) **METER BOTTOM PLATE**

(75) Inventors: **Ronald N. Koch**, Sewickley, PA (US);  
**James L. Rogers**, Irving, TX (US)

(73) Assignee: **Master Meter, Inc.**, Fort Worth, TX  
(US)

(\*\*) Term: **14 Years**

(21) Appl. No.: **29/151,329**

(22) Filed: **Dec. 3, 2001**

(51) **LOC (7) Cl.** ..... **10-04**

(52) **U.S. Cl.** ..... **D10/103; D10/99**

(58) **Field of Search** ..... D10/99, 103; 324/110,  
324/115, 119, 156, 146, 149

(56) **References Cited**

**U.S. PATENT DOCUMENTS**

D223,724 S \* 5/1972 Wallace ..... D10/99  
D402,907 S \* 12/1998 Ruff ..... D10/103  
6,178,816 B1 1/2001 Katzman et al.

**OTHER PUBLICATIONS**

Digital photograph of Hersey water meter bottom plate (date unknown).

Digital photograph of ABB Water Meters water meter bottom plate (date unknown).

\* cited by examiner

*Primary Examiner*—Antoine Duval Davis

(74) *Attorney, Agent, or Firm*—Webb Ziesenheim Logsdon Orkin & Hanson, P.C.

(57) **CLAIM**

The ornamental design for a meter bottom plate, as shown and described.

**DESCRIPTION**

FIG. 1 is a top plan view of meter bottom plate showing our new design;

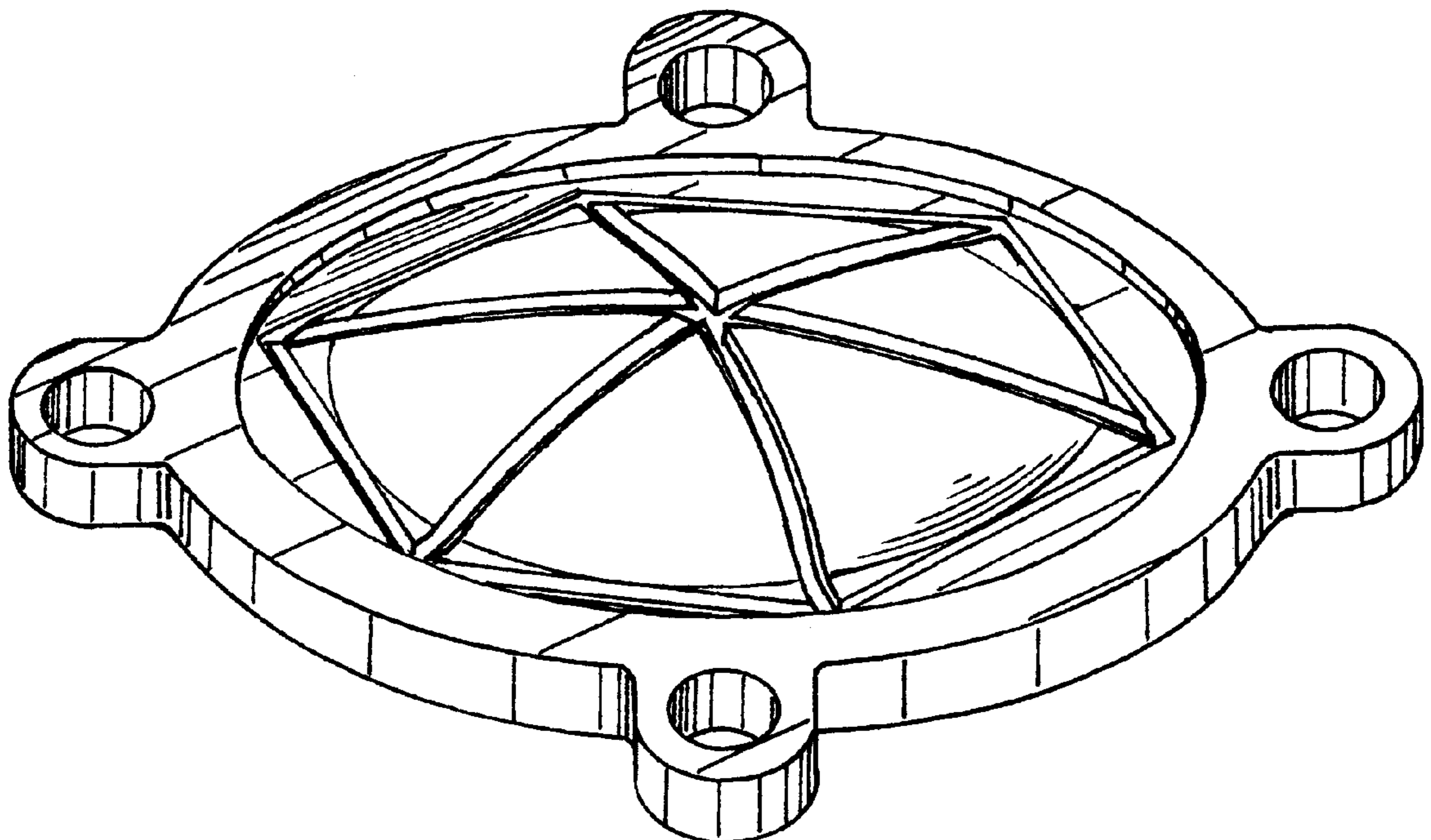
FIG. 2 is a bottom plan view thereof;

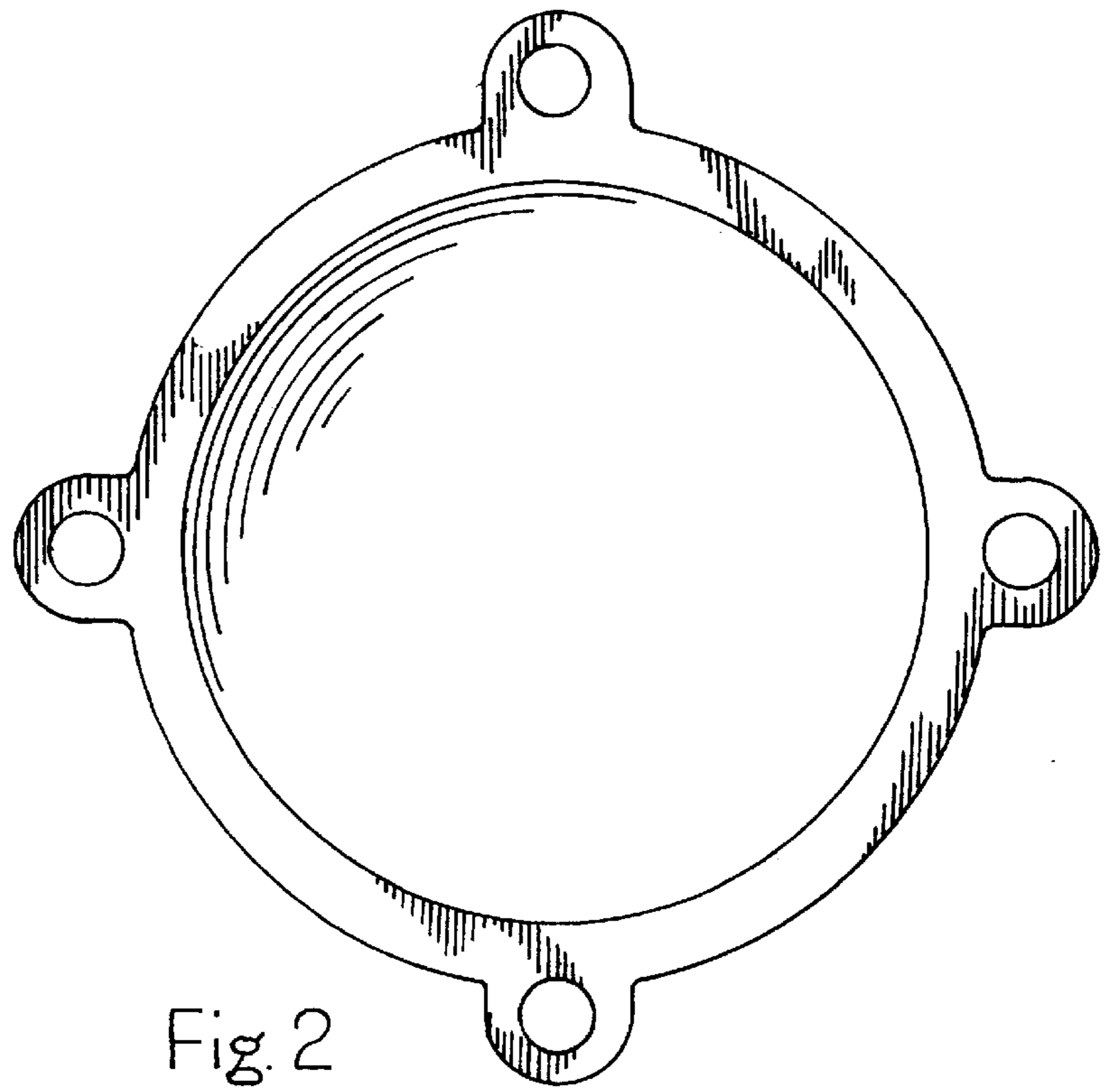
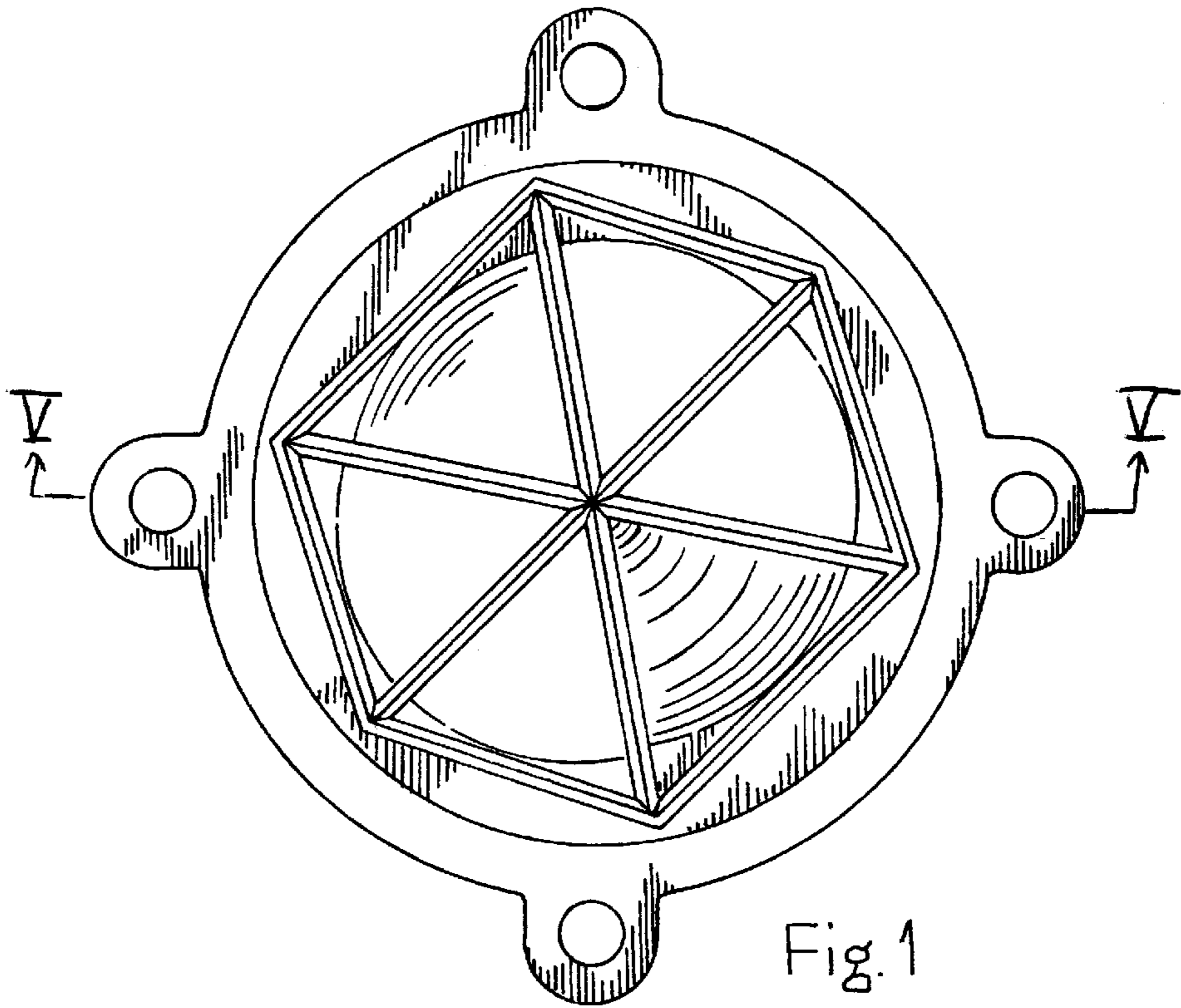
FIG. 3 is a top perspective view thereof;

FIG. 4 is a side elevational view thereof, the side elevational views are symmetric about lines V—V of FIG. 1, therefore only one side elevational view is shown; and,

FIG. 5 is a section taken along lines V—V of FIG. 1, the cross-sectional hatching does not form a portion of the invention.

**1 Claim, 2 Drawing Sheets**





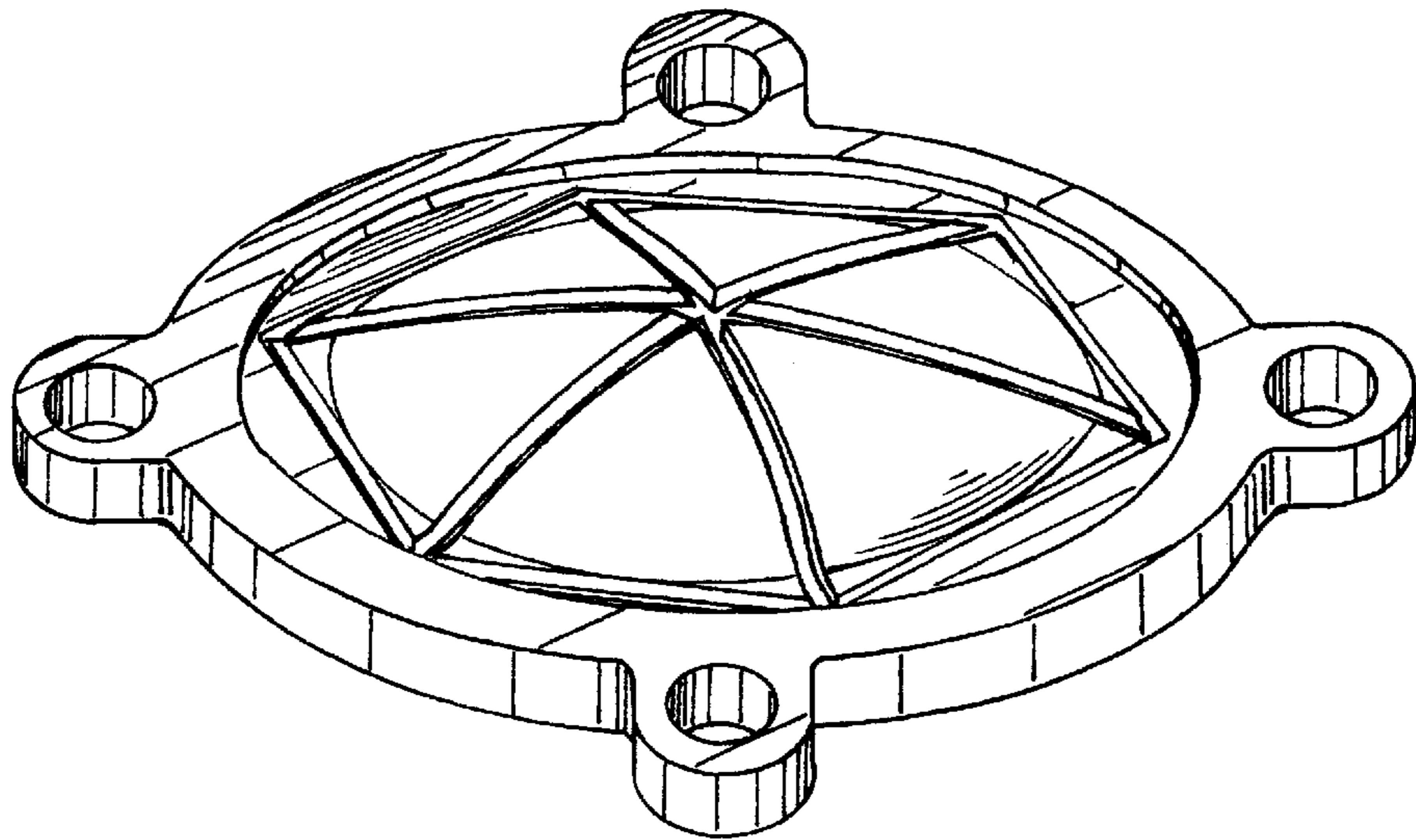


Fig. 3

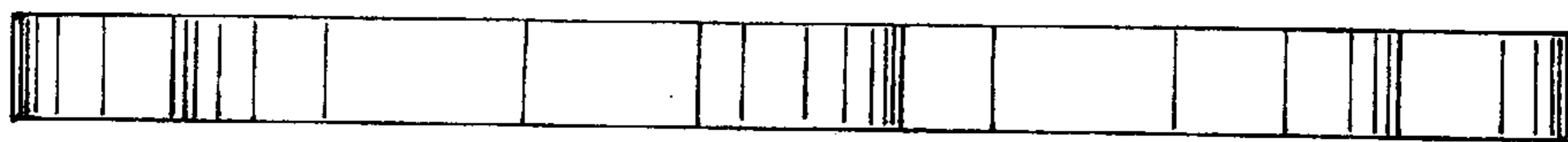


Fig. 4

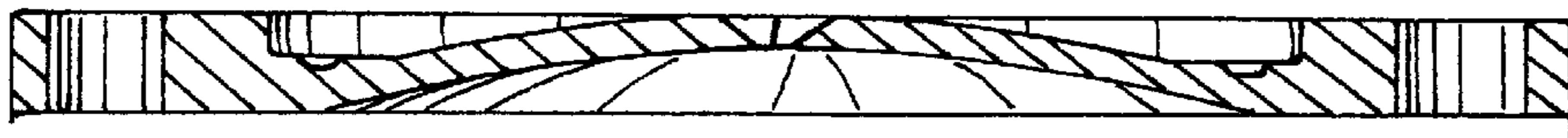


Fig. 5