



US00D468221S

(12) **United States Design Patent**  
**Greaves et al.**

(10) **Patent No.:** **US D468,221 S**

(45) **Date of Patent:** **\*\* Jan. 7, 2003**

(54) **LEVEL WITH MAGNETIC INSERTS FOR HANDS-FREE ADHERENCE TO STEEL BEAMS**

5,103,569 A 4/1992 Leatherwood  
D448,686 S \* 10/2001 Martone ..... D10/69

\* cited by examiner

(76) Inventors: **Desmond Greaves**, 57 Algoma Street, Etobicoke, Ontario (CA), M8Y-1C4;  
**Mavis Williams**, 57 Algoma Street, Etobicoke, Ontario (CA), M8Y-1C4

*Primary Examiner*—Antoine Duval Davis  
(74) *Attorney, Agent, or Firm*—Donald R. Schoonover

(\*\*) Term: **14 Years**

(57) **CLAIM**

The ornamental design for a level with magnetic inserts for hands-free adherence to steel beams, as shown and described.

(21) Appl. No.: **29/153,131**

(22) Filed: **Jan. 7, 2002**

**DESCRIPTION**

(51) **LOC (7) Cl.** ..... **10-04**

(52) **U.S. Cl.** ..... **D10/69**

(58) **Field of Search** ..... D10/69; 33/368–390

FIG. 1 is a perspective view of the level with magnetic inserts for hands-free adherence to steel beams embodying the design of the present invention.

FIG. 2 is a front elevational view thereof;

FIG. 3 is an end elevational view thereof;

FIG. 4 is a side elevational view thereof; and,

FIG. 5 is a perspective view showing the level with magnetic inserts for hands-free adherence to steel beams in use.

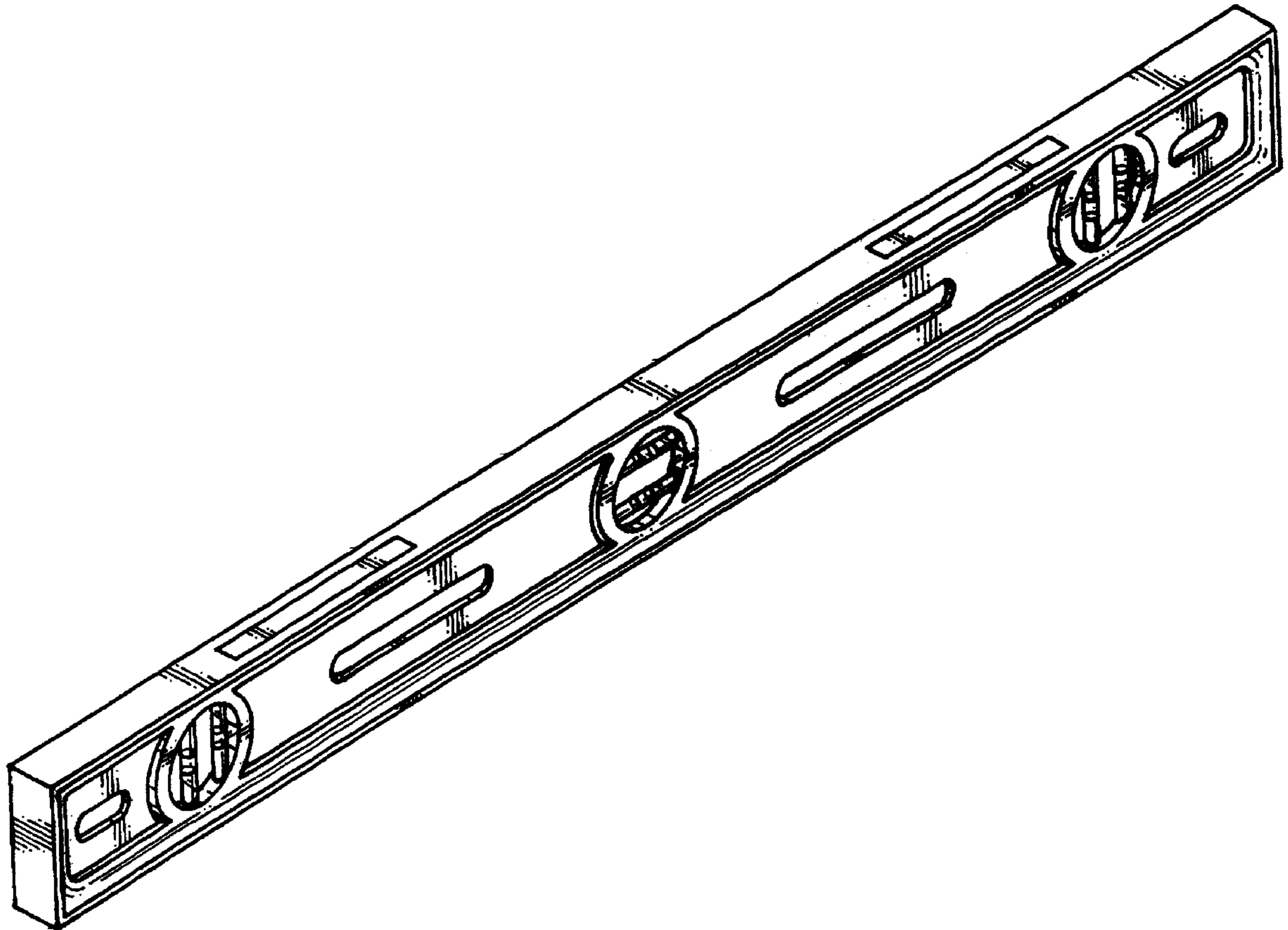
The broken line showing of environmental structure is for illustrative purposes only and forms no part of the claimed design.

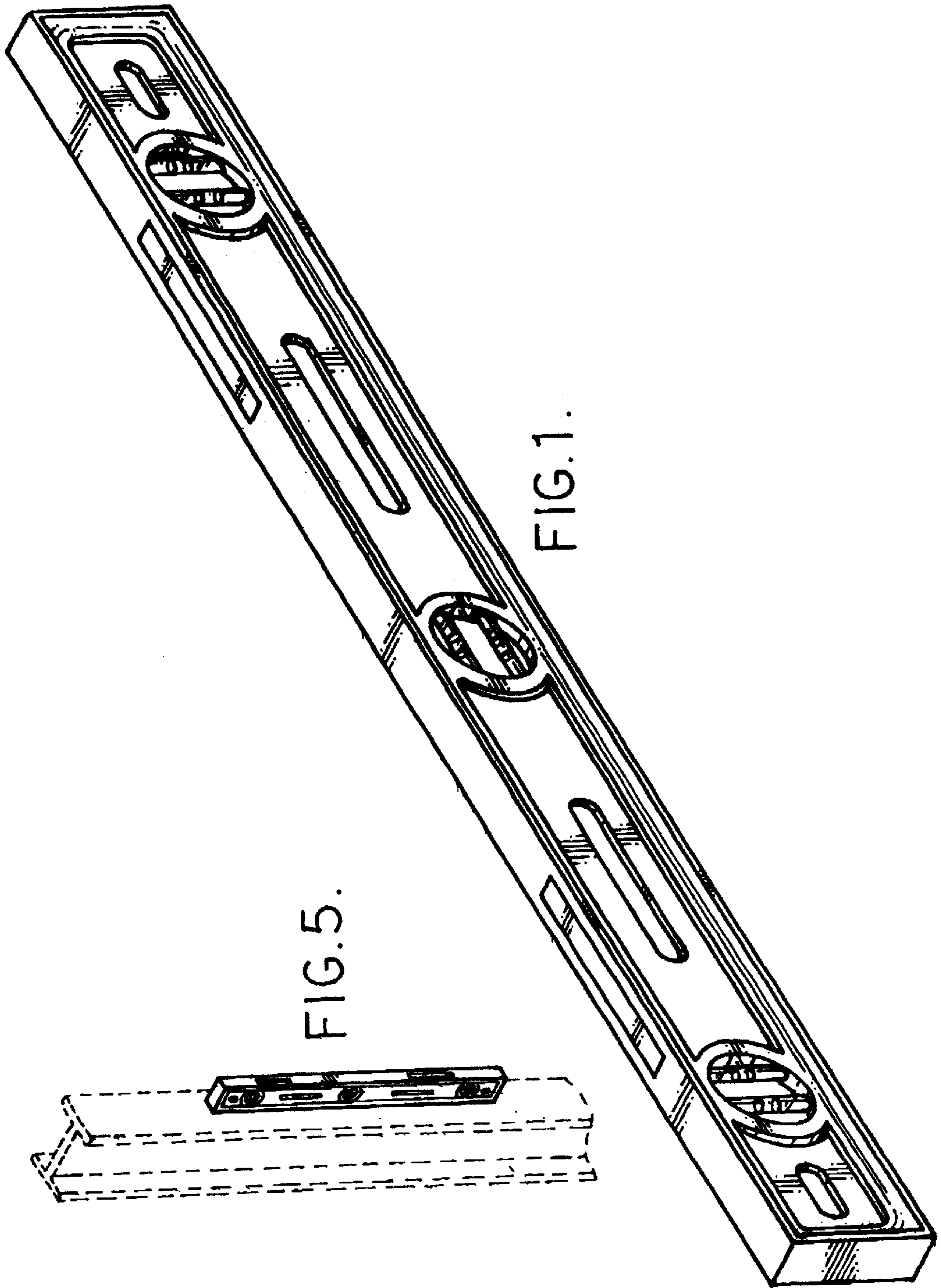
(56) **References Cited**

**U.S. PATENT DOCUMENTS**

1,691,776 A	*	11/1928	Mayes	.....	D10/69 X
2,171,971 A		9/1939	Cravaritis et al.		
2,543,572 A		2/1951	Friberg		
3,046,672 A		7/1962	Lace		
4,534,117 A	*	8/1985	Haefner et al.	.....	33/379
D301,553 S		6/1989	Makofsky et al.		
D318,434 S	*	7/1991	Wurst	.....	D10/69

**1 Claim, 2 Drawing Sheets**





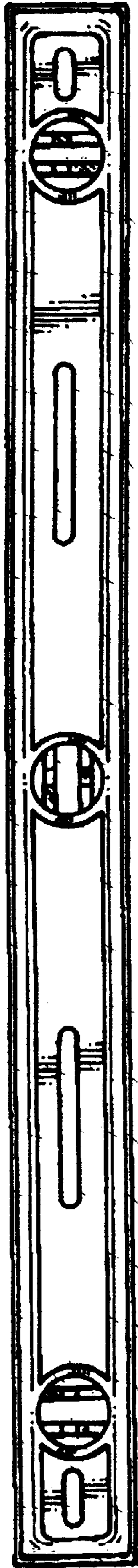


FIG. 2.



FIG. 4.



FIG. 3.