



US00D468220S

(12) **United States Design Patent**  
**Harris et al.**

(10) **Patent No.:** **US D468,220 S**

(45) **Date of Patent:** **\*\* Jan. 7, 2003**

(54) **ELECTRONIC MEASURING JIGGER**

D157,364 S \* 2/1950 Freshley ..... D10/46.2  
4,073,192 A \* 2/1978 Townsend ..... 73/429

(75) Inventors: **David Harris**, Nashua, NH (US); **Rudy Woodard**, Nashua, NH (US); **Scott Rubenstein**, Nashua, NH (US)

\* cited by examiner

*Primary Examiner*—Terry A. Wallace

(74) *Attorney, Agent, or Firm*—Hayes Soloway P.C.

(73) Assignee: **Brookstone Company, Inc.**, Nashua, NH (US)

(57) **CLAIM**

(\*\*) Term: **14 Years**

The ornamental design for an electronic measuring jigger, as shown and described.

(21) Appl. No.: **29/150,485**

**DESCRIPTION**

(22) Filed: **Nov. 23, 2001**

(51) **LOC (7) Cl.** ..... **10-04**

(52) **U.S. Cl.** ..... **D10/46.2**

(58) **Field of Search** ..... D10/46.2, 46.3;  
73/426–429

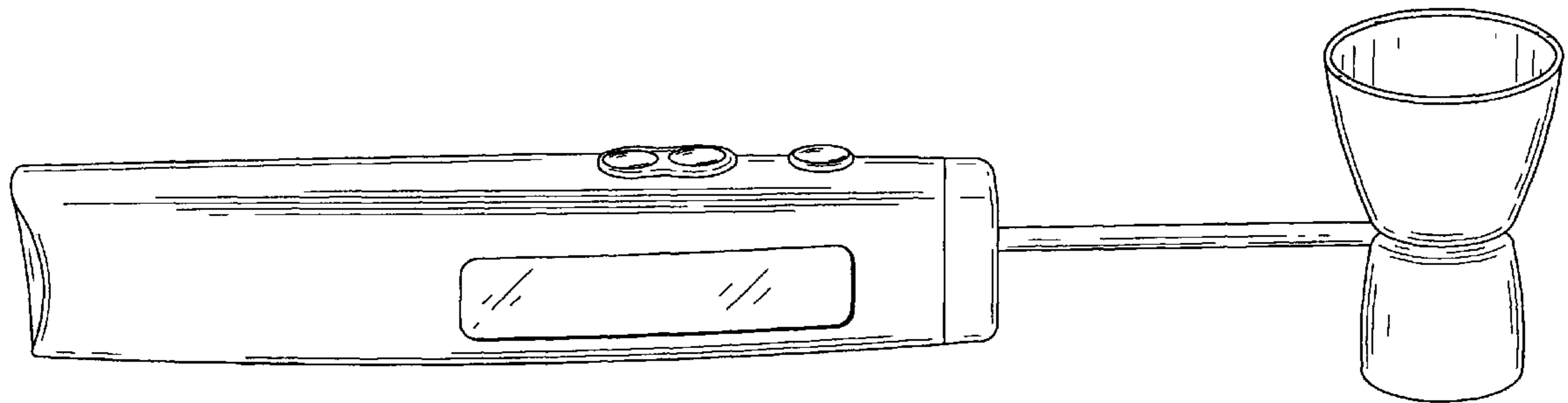
FIG. 1 is a perspective view of an electronic measuring jigger showing a preferred embodiment of our new design; FIG. 2 is a left-side elevational view thereof; FIG. 3 is a right-side elevational view thereof; FIG. 4 is a rear end view thereof; FIG. 5 is a front end view thereof; FIG. 6 is a top plan view thereof; and, FIG. 7 is a bottom plan view thereof.

(56) **References Cited**

**U.S. PATENT DOCUMENTS**

D22,768 S \* 9/1893 Dungan ..... D10/46.3

**1 Claim, 4 Drawing Sheets**



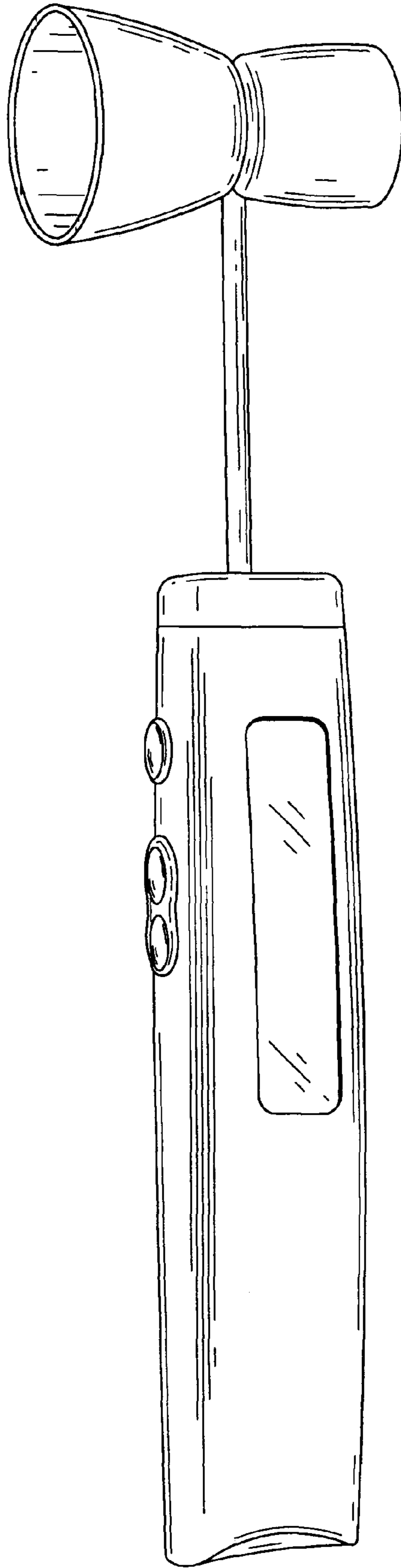


FIG. 1

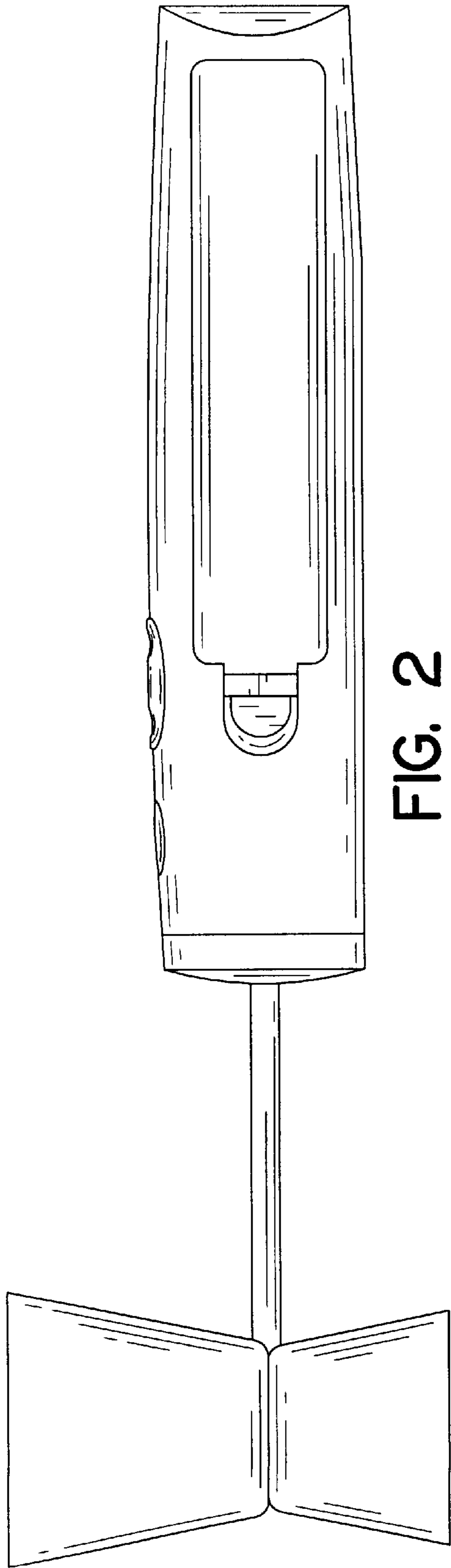


FIG. 2

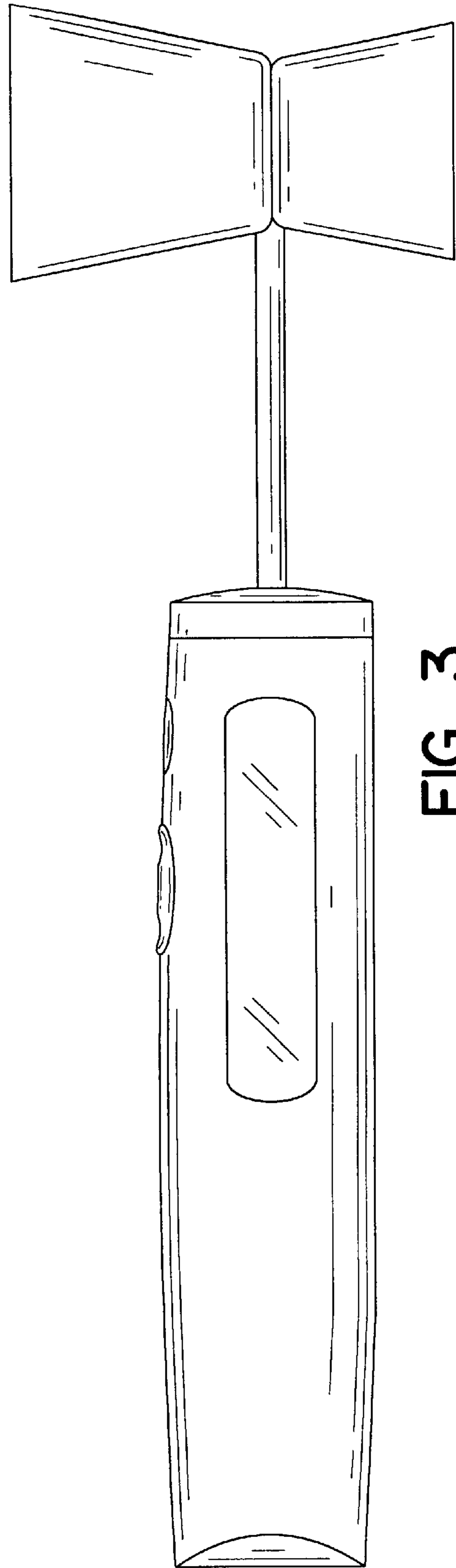


FIG. 3

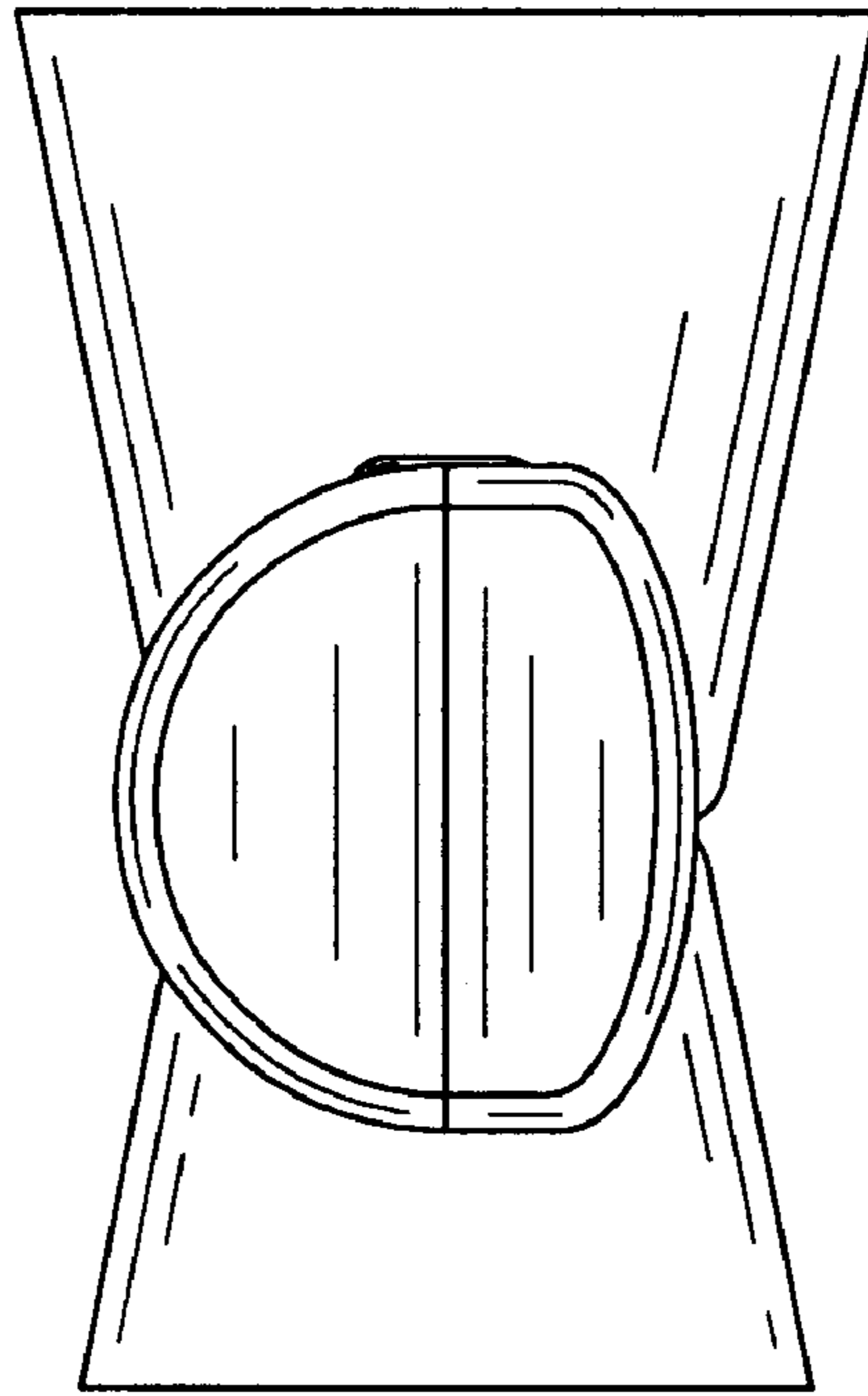


FIG. 4

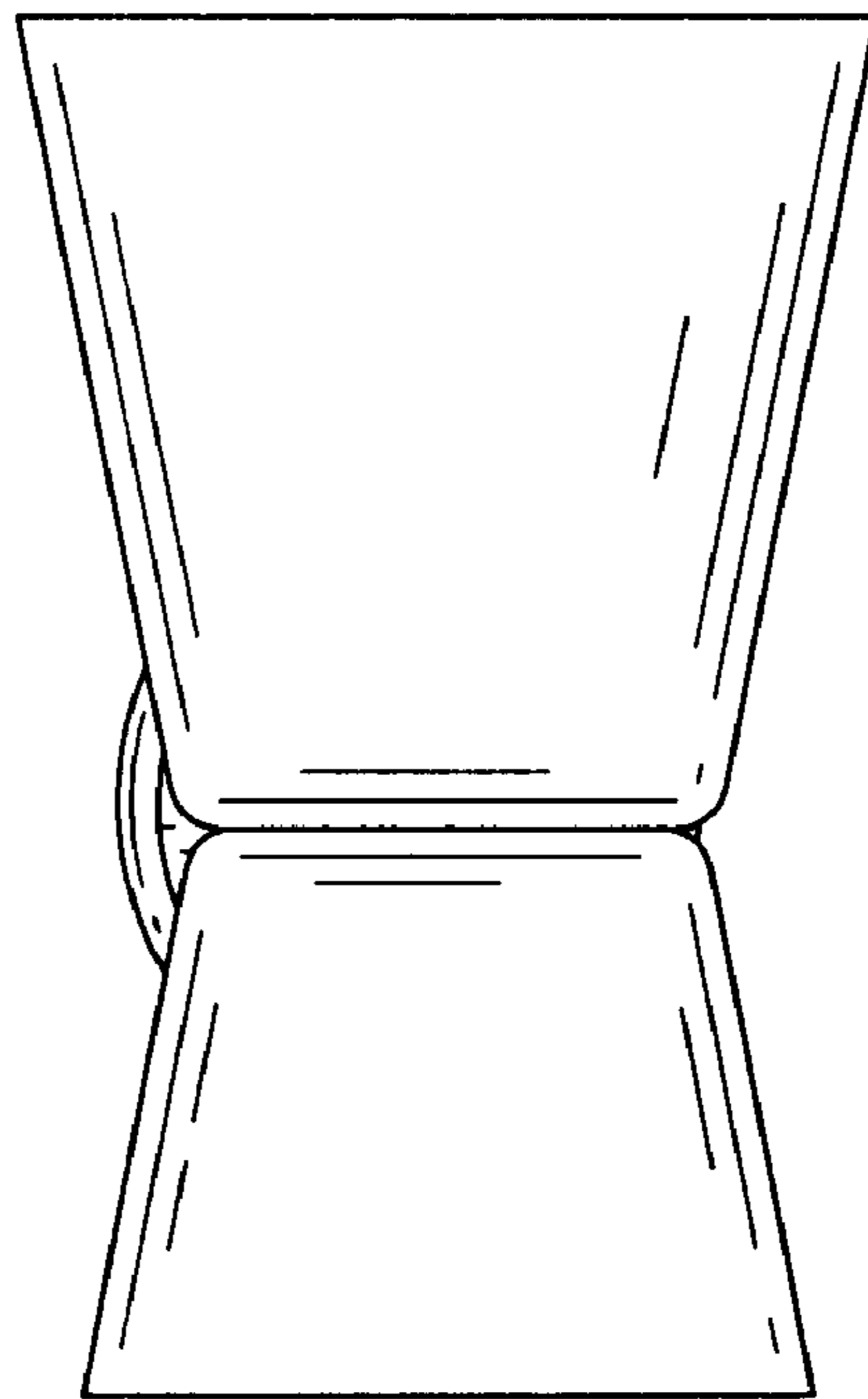


FIG. 5

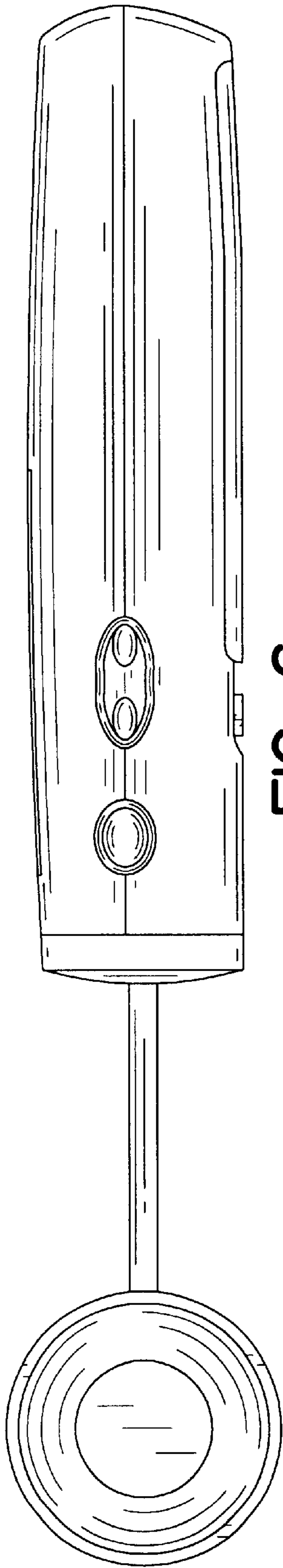


FIG. 6

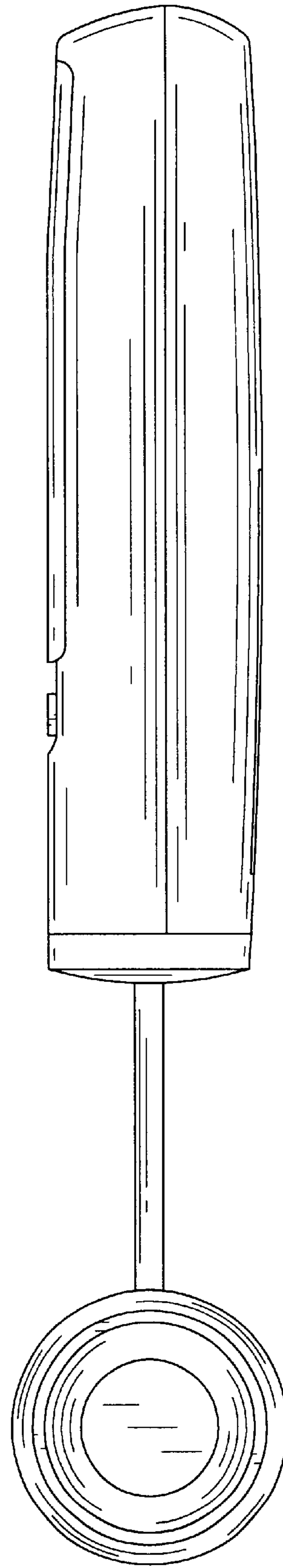


FIG. 7