



US00D468219S

(12) **United States Design Patent**
Hsu

(10) **Patent No.:** **US D468,219 S**

(45) **Date of Patent:** **** Jan. 7, 2003**

(54) **TIMER CLOCK**

(76) **Inventor:** **Hua Wen Hsu**, 5F1-2, No. 42, Alley
32, Lane 245, Sec. 4, Pa-Te Road,
Taipei (TW)

(**) **Term:** **14 Years**

(21) **Appl. No.:** **29/160,688**

(22) **Filed:** **May 14, 2002**

(51) **LOC (7) Cl. 10-03**

(52) **U.S. Cl. D10/40; D10/15**

(58) **Field of Search D10/1-40, 122-132;**
368/96-100, 107-121, 276-277, 285, 316,
317, 10

(56) **References Cited**

U.S. PATENT DOCUMENTS

- 4,881,187 A * 11/1989 Read 364/565
- D393,697 S * 4/1998 Hundley D23/277
- D424,452 S * 5/2000 Li D10/40
- 6,314,384 B1 * 11/2001 Goetz 702/177

OTHER PUBLICATIONS

Hong Kong Enterprise—Oct. 1990—p. 103—Heart-shaped
clock at middle.*

Hong Kong Enterprise—Oct. 1998—p. 241—clock at
right.*

Hong Kong Enterprise—Oct. 1998—p. 238—timer at mid-
dle-right.*

Sporting Goods Dealer—Sep. 1978—p. 20—stop watch at
roght-top.*

* cited by examiner

Primary Examiner—Nelson C. Holtje
(74) *Attorney, Agent, or Firm*—Pro-Techtor International
Services

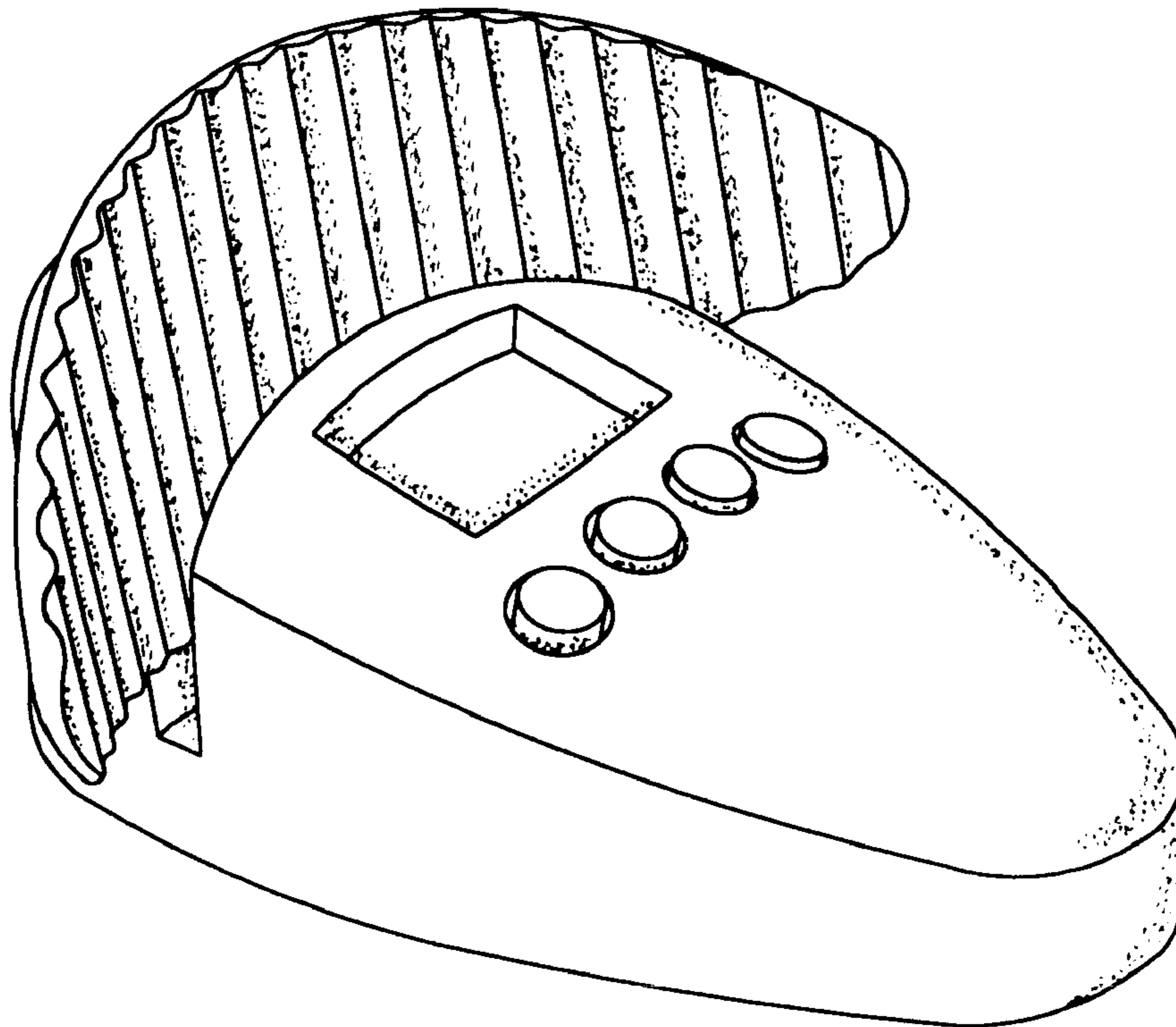
(57) **CLAIM**

The ornamental design for a timer clock, as shown and
described.

DESCRIPTION

- FIG. 1 is a front elevational view showing my new design;
- FIG. 2 is a rear elevational view thereof;
- FIG. 3 is a left side elevational view thereof;
- FIG. 4 is a right side elevational view thereof;
- FIG. 5 is a top plan view thereof;
- FIG. 6 is a bottom plan view thereof; and,
- FIG. 7 is a front, left, top, perspective view thereof.

1 Claim, 7 Drawing Sheets



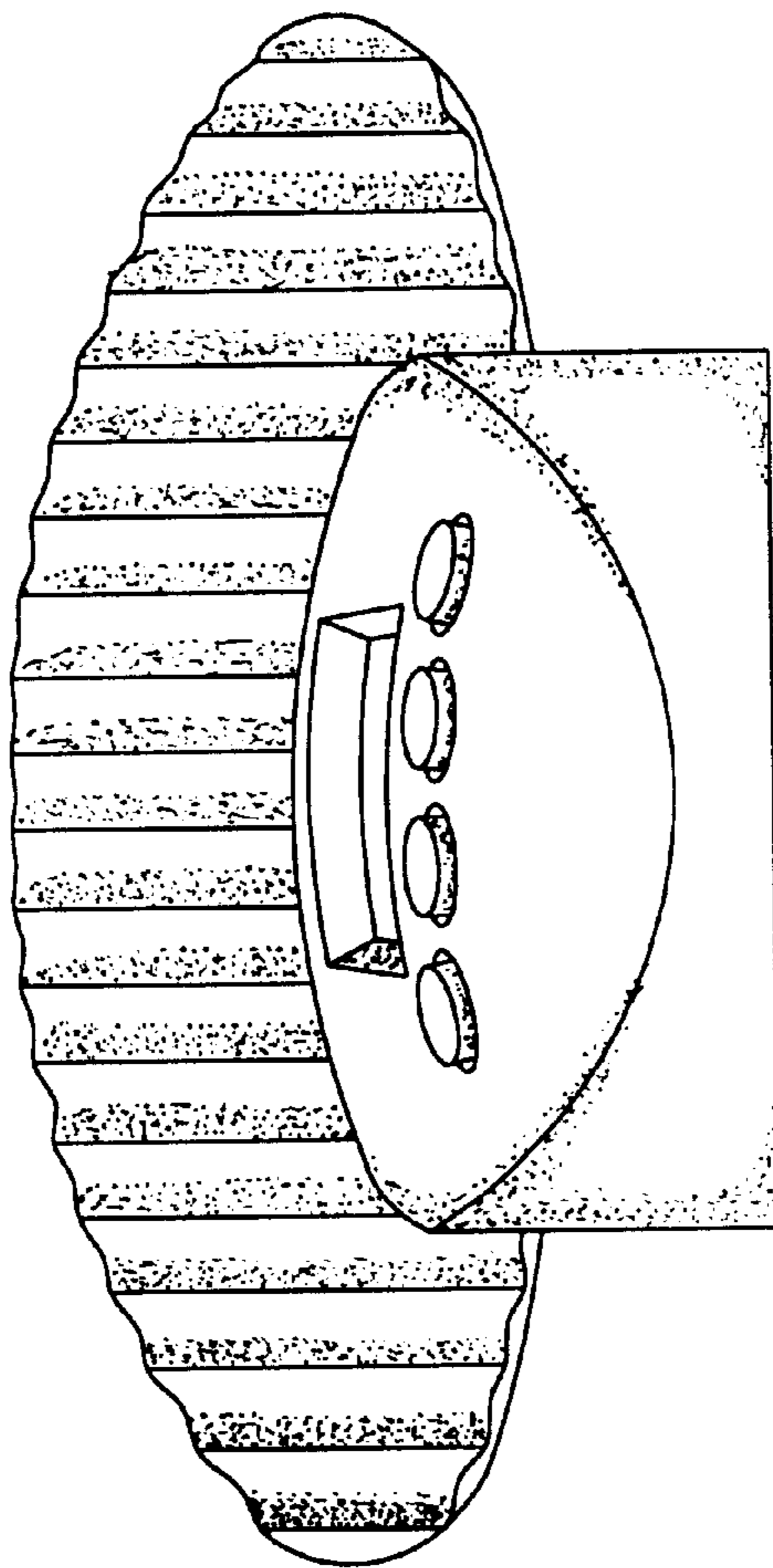


FIG. 1

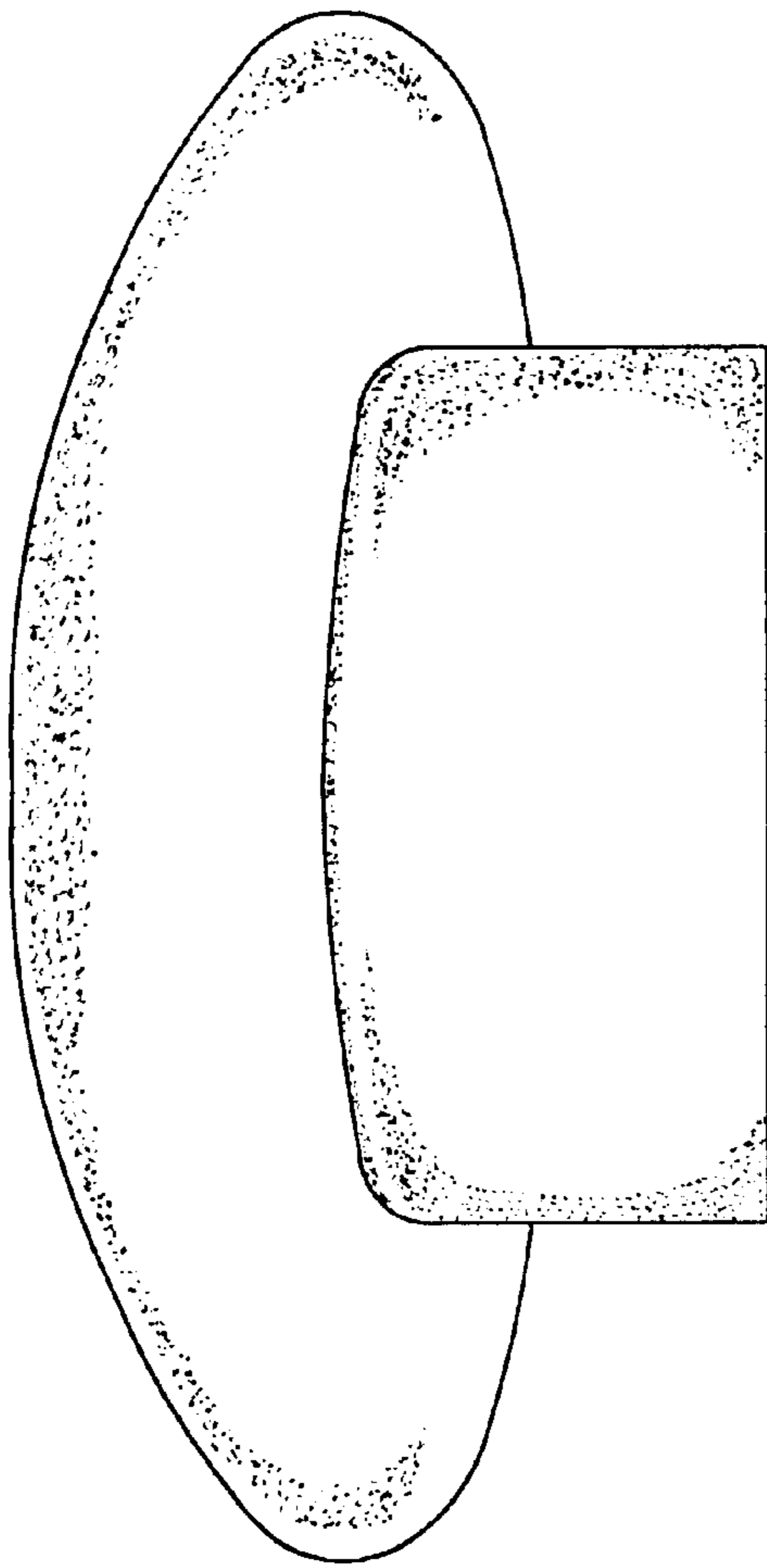
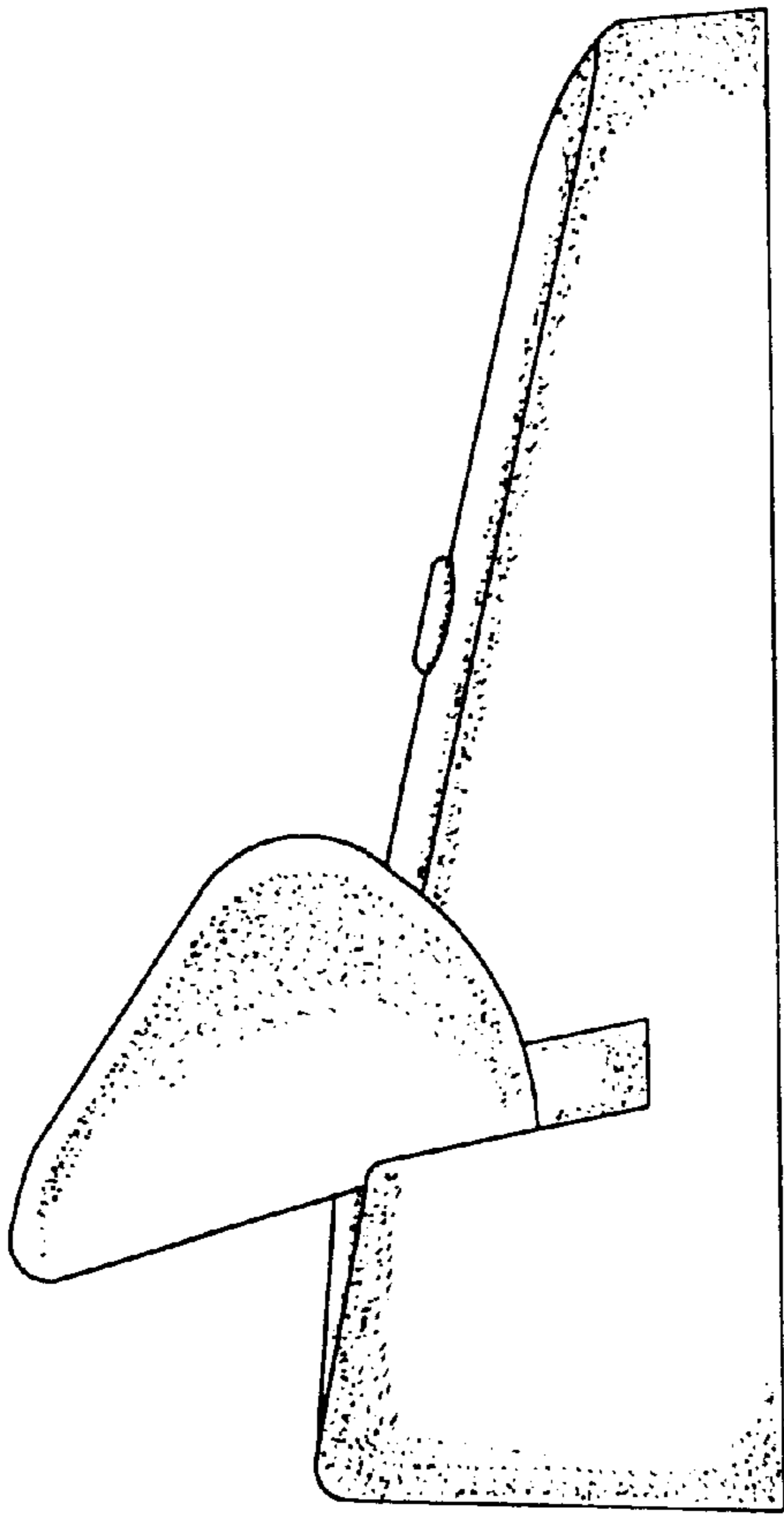


FIG. 2



3

o

oo

i

H

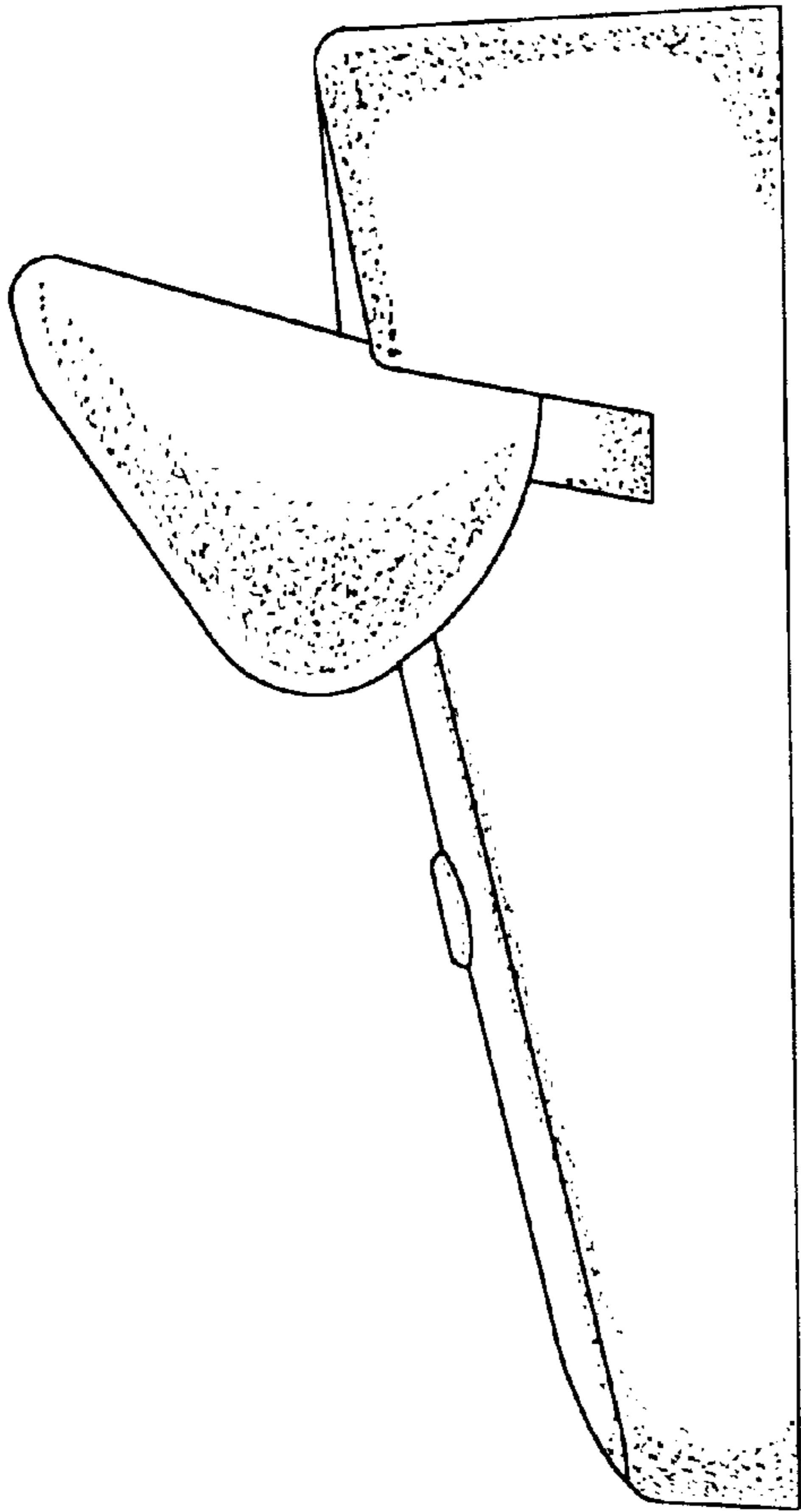
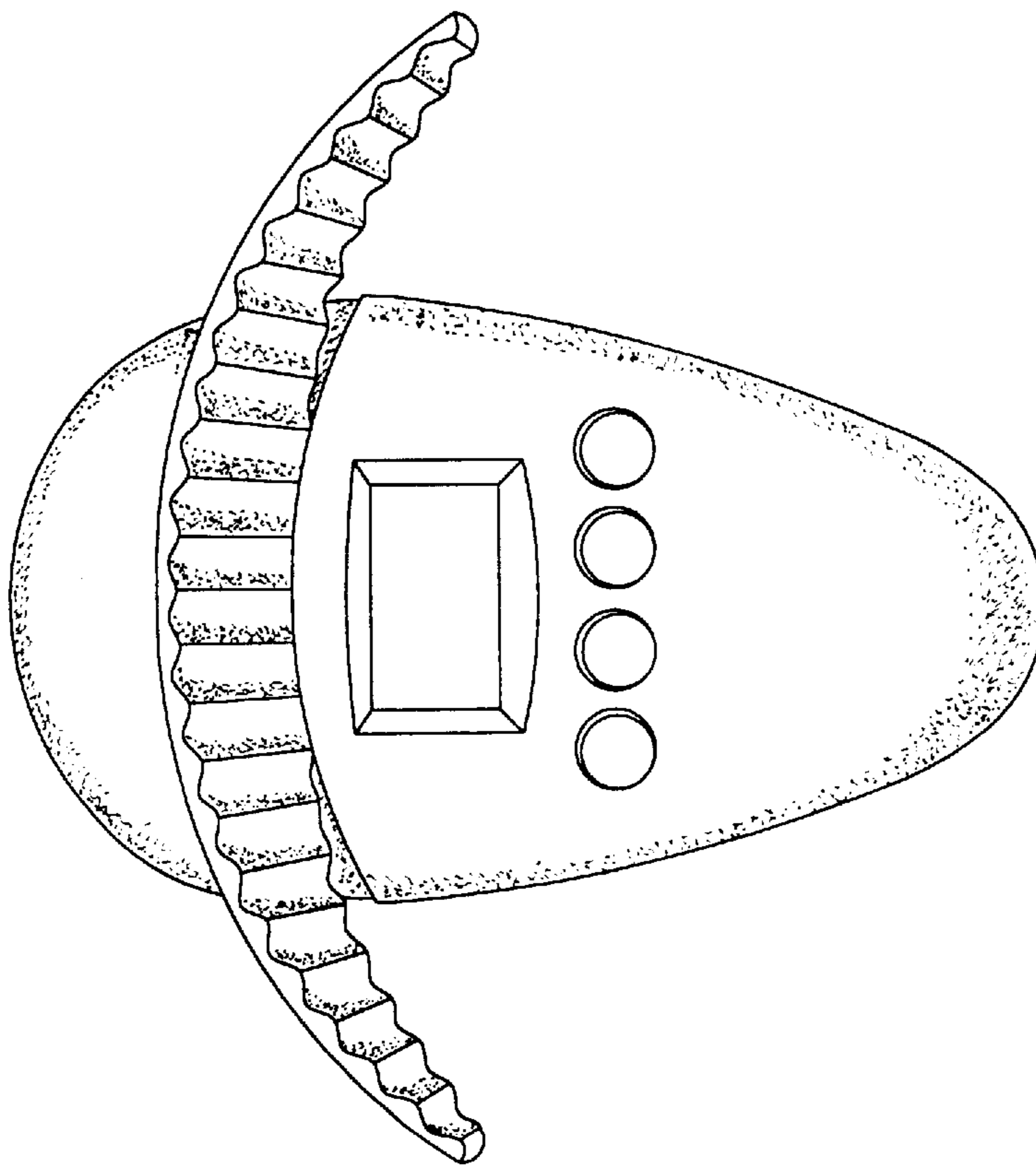
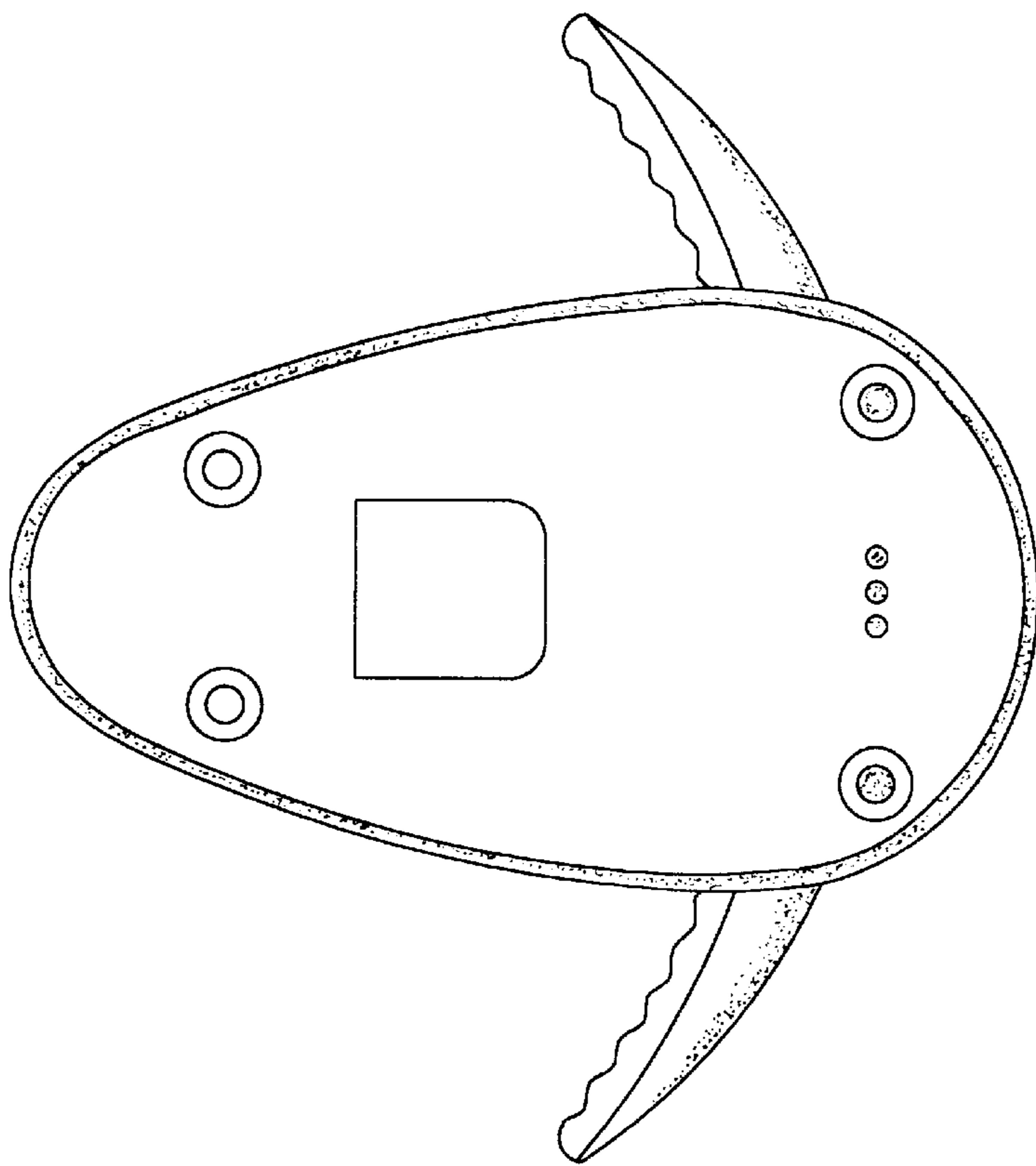


FIG. 4



5
.
60
1
H



6
.
60
.
1
E

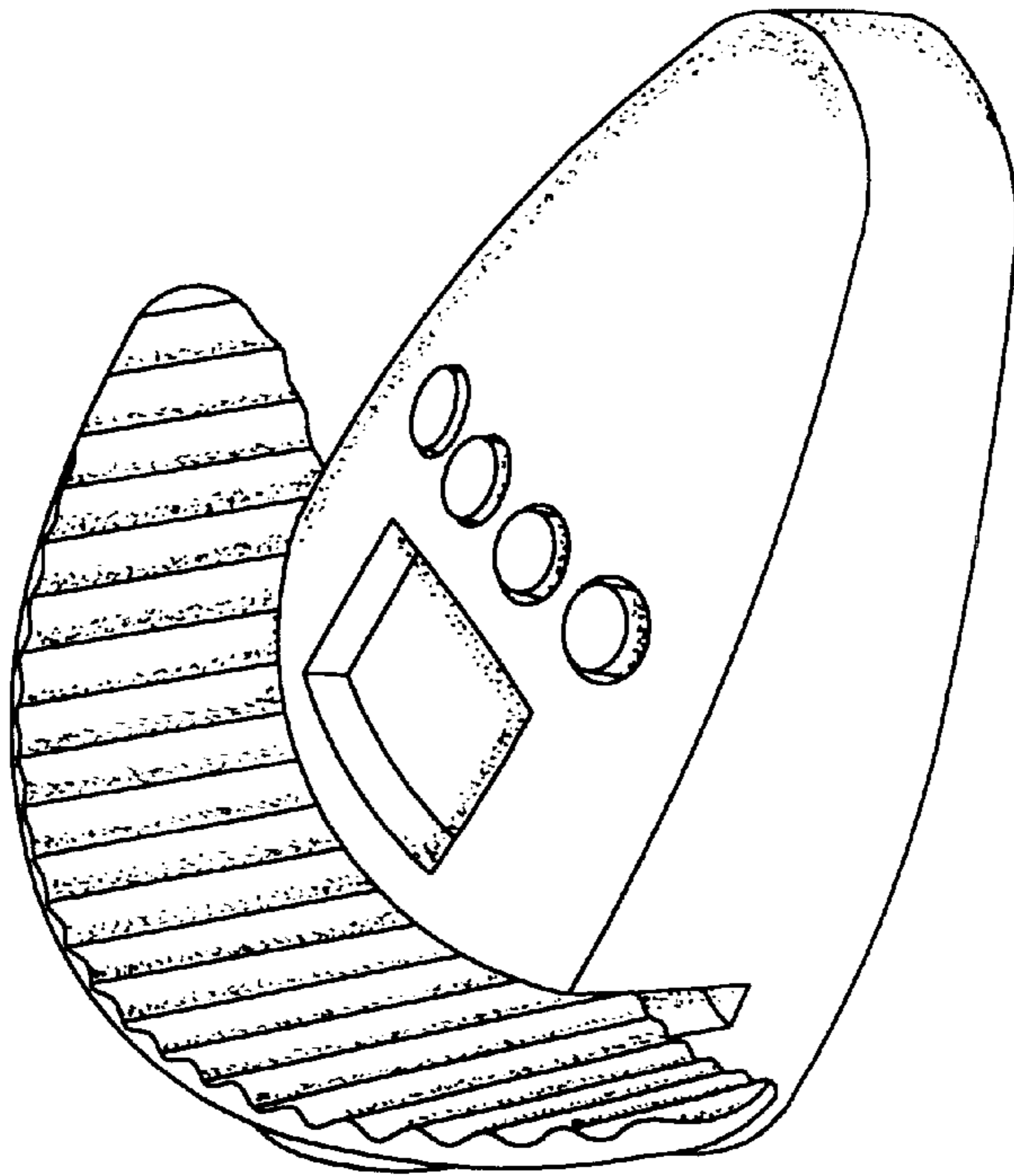


Fig. 7