



US00D468218S

(12) **United States Design Patent**  
**Greenberg et al.**

(10) **Patent No.:** **US D468,218 S**

(45) **Date of Patent:** **\*\* Jan. 7, 2003**

(54) **SPEECH TIMER**

4,731,765 A \* 3/1988 Cole et al. .... 368/10

(76) Inventors: **Paul V. Greenberg**, 7743 SW. 86<sup>th</sup> St.,  
Apt. D334, Miami, FL (US) 33143;  
**Noel Greenberg**, 1758 SW. 28 Ct.,  
Miramar, FL (US) 33029

(\*\*) Term: **14 Years**

(21) Appl. No.: **29/156,768**

(22) Filed: **Mar. 7, 2002**

(51) **LOC (7) Cl.** ..... **10-03**

(52) **U.S. Cl.** ..... **D10/40**

(58) **Field of Search** ..... D10/1-40, 122-132;  
368/96-100, 107-121, 276-277, 285, 316,  
317, 10; 200/38 R, 80; 307/141 R, 141.1

(56) **References Cited**

**U.S. PATENT DOCUMENTS**

D133,995 S	*	10/1942	Franks	.....	D10/40
2,932,779 A	*	4/1960	Tancig	.....	368/108 X
3,090,192 A	*	5/1963	Kraft et al.	.....	368/112
3,184,911 A	*	5/1965	Canale et al.	.....	368/10
D242,847 S	*	12/1976	Cervone	.....	D10/40
4,027,470 A	*	6/1977	Friedman	.....	368/108

**OTHER PUBLICATIONS**

Industrial Design—Jul.–Aug. 1978—p.58—Timer at middle.\*

\* cited by examiner

*Primary Examiner*—Nelson C. Holtje

(74) *Attorney, Agent, or Firm*—Gottlieb, Rackman & Reisman, P.C.

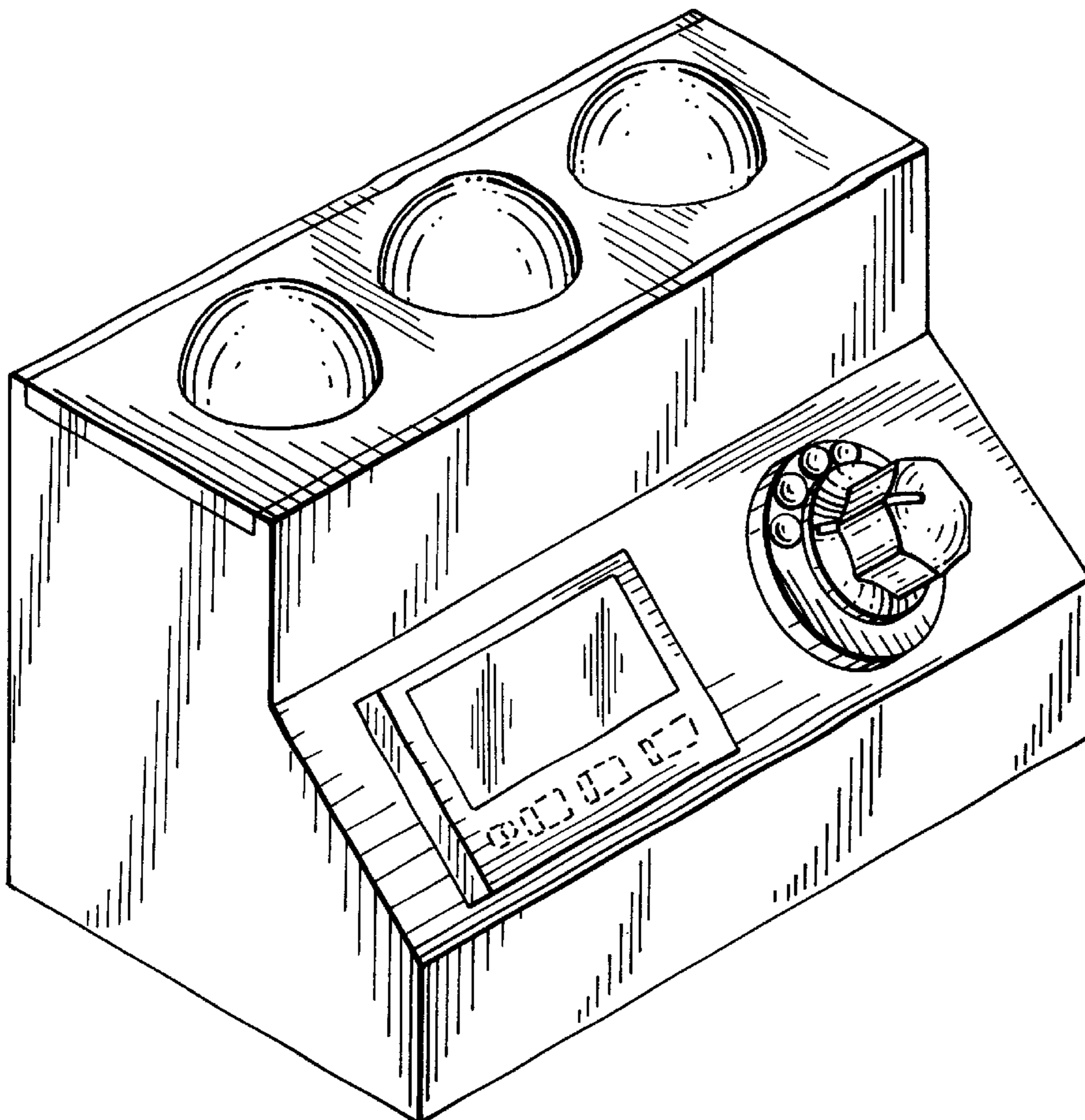
(57) **CLAIM**

The ornamental design for a speech timer, as shown and described.

**DESCRIPTION**

FIG. 1 is a front perspective view thereof;  
FIG. 2 is a top plan thereof;  
FIG. 3 is a front elevational view thereof;  
FIG. 4 is a right side view thereof; and,  
FIG. 5 is a front perspective view of an alternative embodiment of my ornamental design.  
The broken line showing of switches is for illustrative purposes only and forms no part of the claimed design.

**1 Claim, 3 Drawing Sheets**



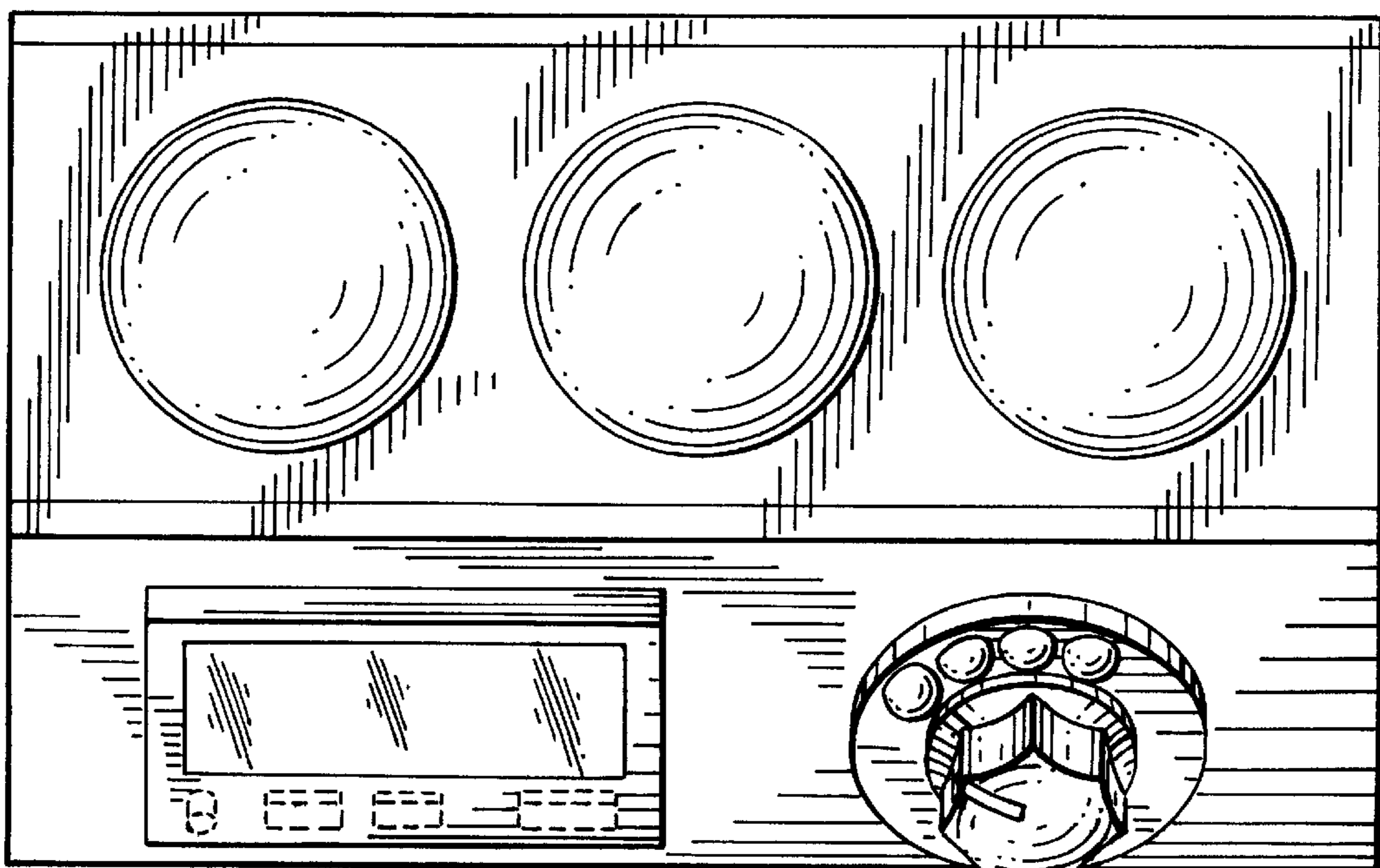
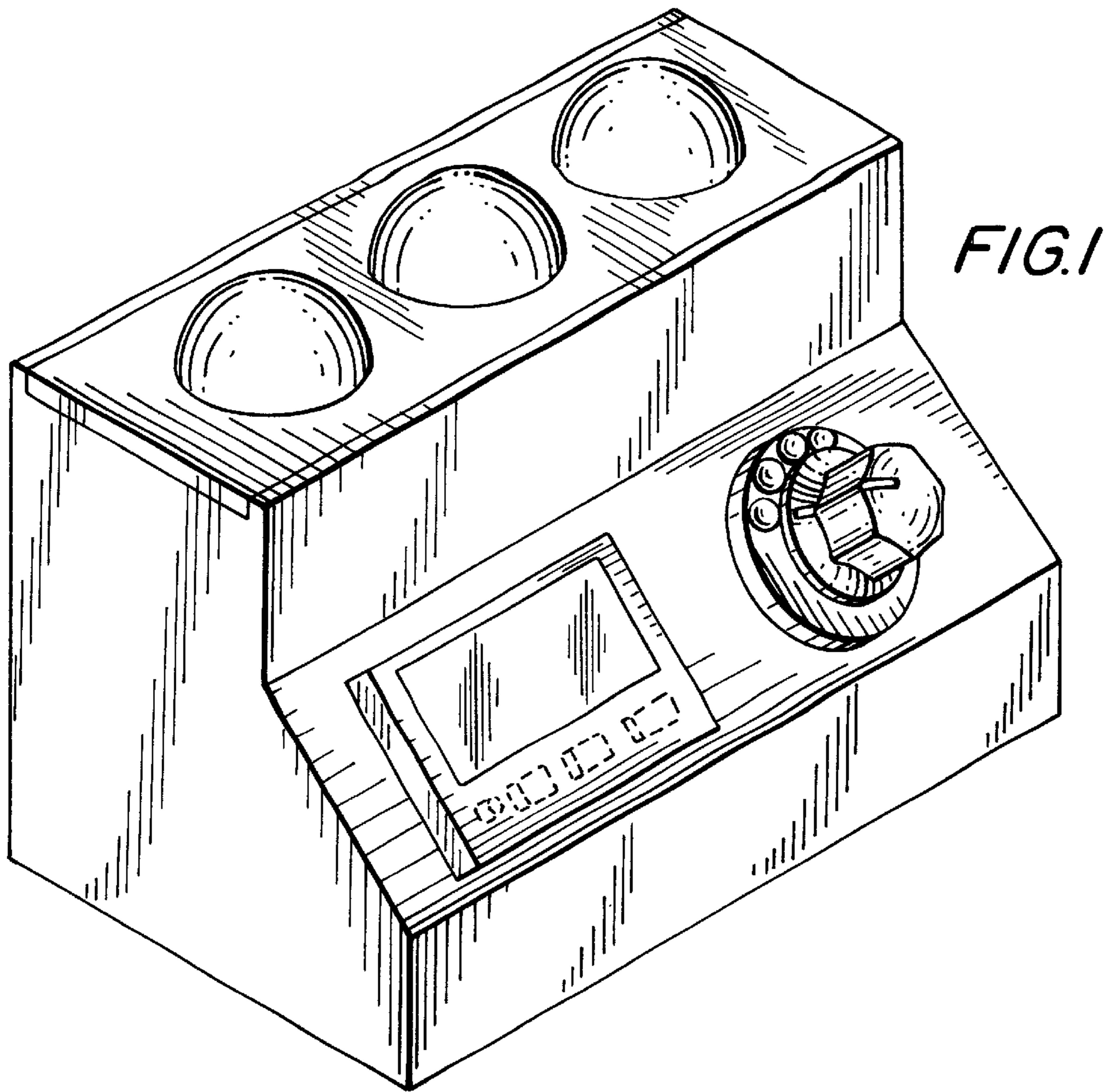


FIG. 2

FIG. 4

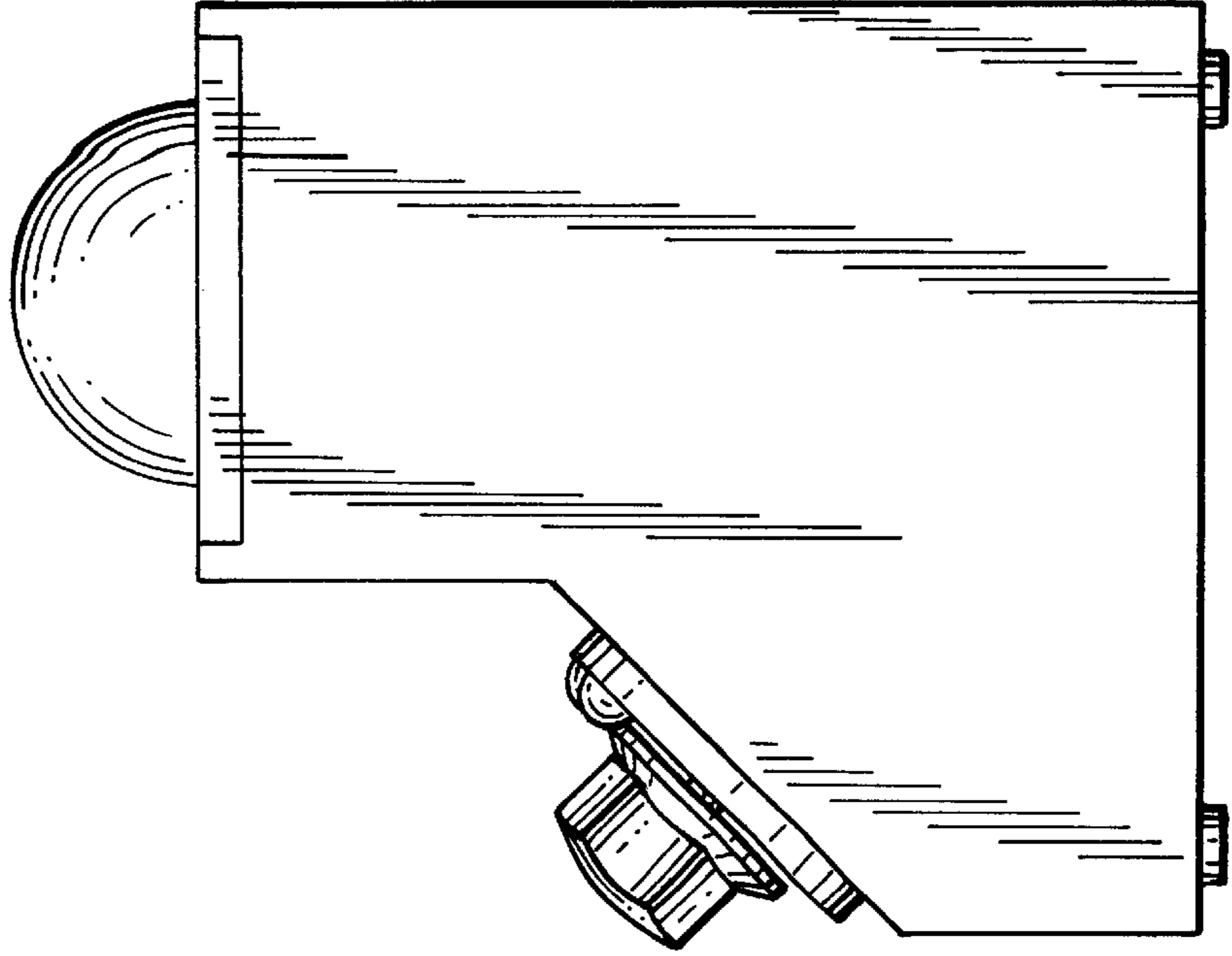
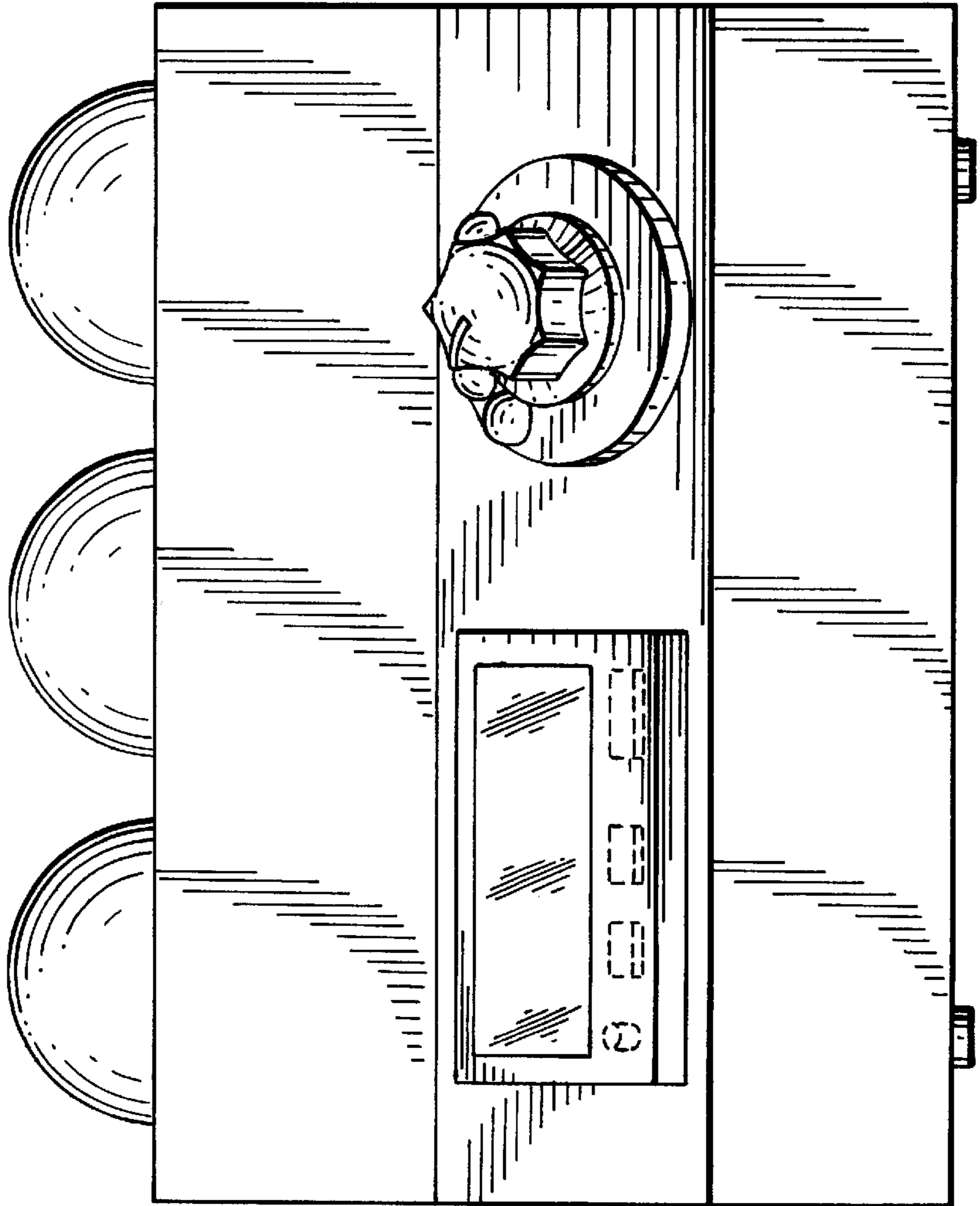


FIG. 3





*FIG. 5*

