



US00D468206S

(12) **United States Design Patent**  
**Weiss et al.**

(10) **Patent No.: US D468,206 S**

(45) **Date of Patent: \*\* Jan. 7, 2003**

(54) **LID**

(75) Inventors: **David Weiss**, Plantation, FL (US);  
**Stephen Hasselbach**, Cranbury, NJ (US)

(73) Assignee: **Design Safety Corp.**, Planation, FL (US)

(\*\*) Term: **14 Years**

(21) Appl. No.: **29/149,326**

(22) Filed: **Oct. 10, 2001**

(51) **LOC (7) Cl.** ..... **09-07**

(52) **U.S. Cl.** ..... **D9/447; D9/452; D9/454**

(58) **Field of Search** ..... **D9/435, 447, 452, D9/454; D7/392.1; 220/254.1**

(56) **References Cited**

**U.S. PATENT DOCUMENTS**

3,301,464 A \* 1/1967 Amberg ..... D9/454 X  
D266,906 S \* 11/1982 Guerette ..... D9/454

4,441,624 A \* 4/1984 Sokolowski ..... 220/254.1  
D274,983 S \* 8/1984 Dart et al. .... D9/454  
D287,919 S \* 1/1987 Clements ..... D7/392.1  
5,509,568 A \* 4/1996 Warden et al. .... 220/254.1  
D417,845 S \* 12/1999 Rodrigues ..... D9/454

\* cited by examiner

*Primary Examiner*—Dominic Simone

(74) *Attorney, Agent, or Firm*—Nixon Peabody LLP;  
Donald R. Studebaker

(57) **CLAIM**

The ornamental design for a lid, as shown and described.

**DESCRIPTION**

FIG. 1 is a perspective view of a lid;  
FIG. 2 is a side view thereof;  
FIG. 3 is a top view thereof;  
FIG. 4 is a bottom view thereof;  
FIG. 5 is a side view thereof rotated 180° from FIG. 2;  
FIG. 6 is a side view thereof rotated 90° from FIG. 2; and,  
FIG. 7 is a side view thereof rotated 270° from FIG. 2.

**1 Claim, 2 Drawing Sheets**

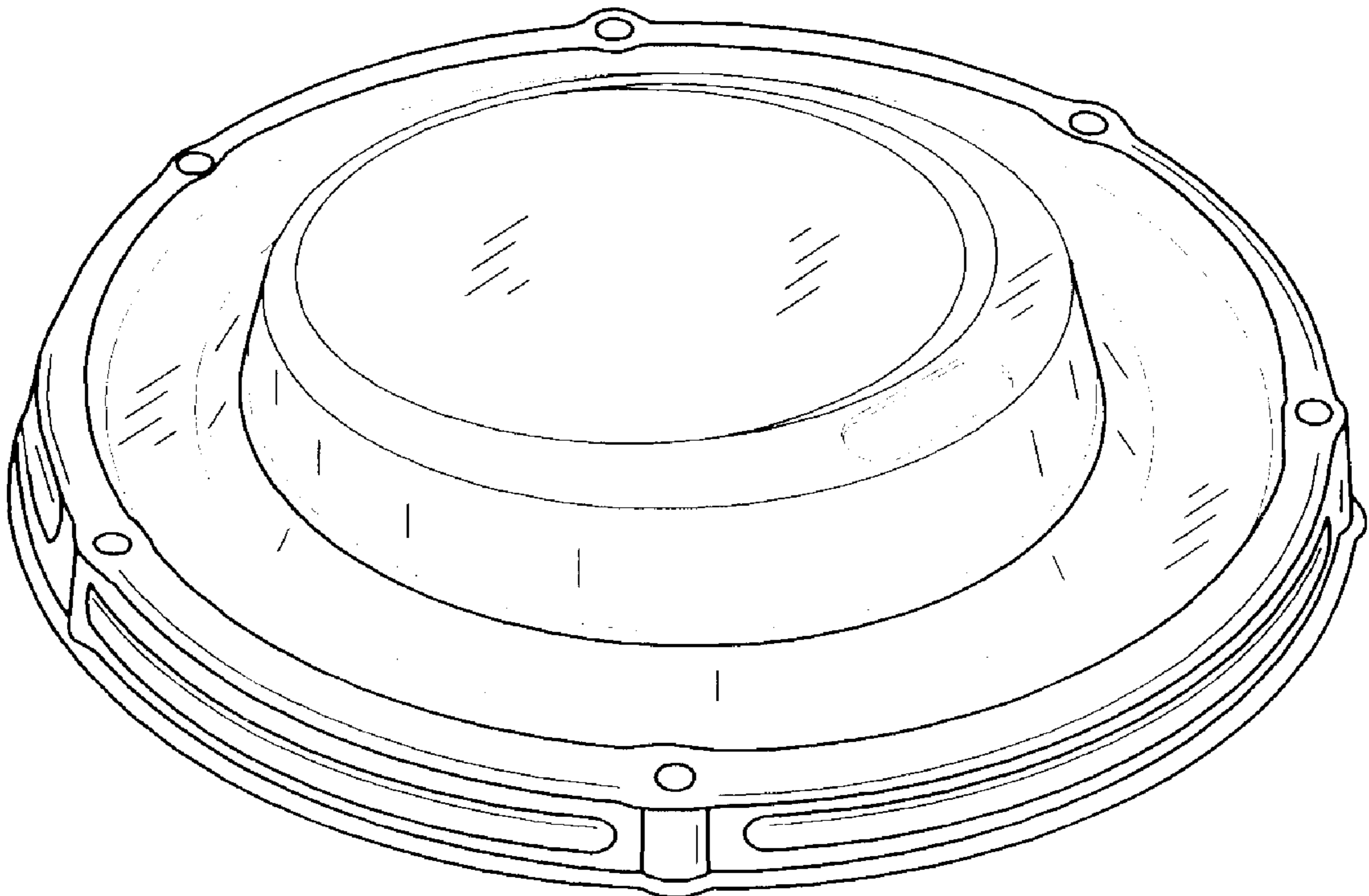


FIG. 2

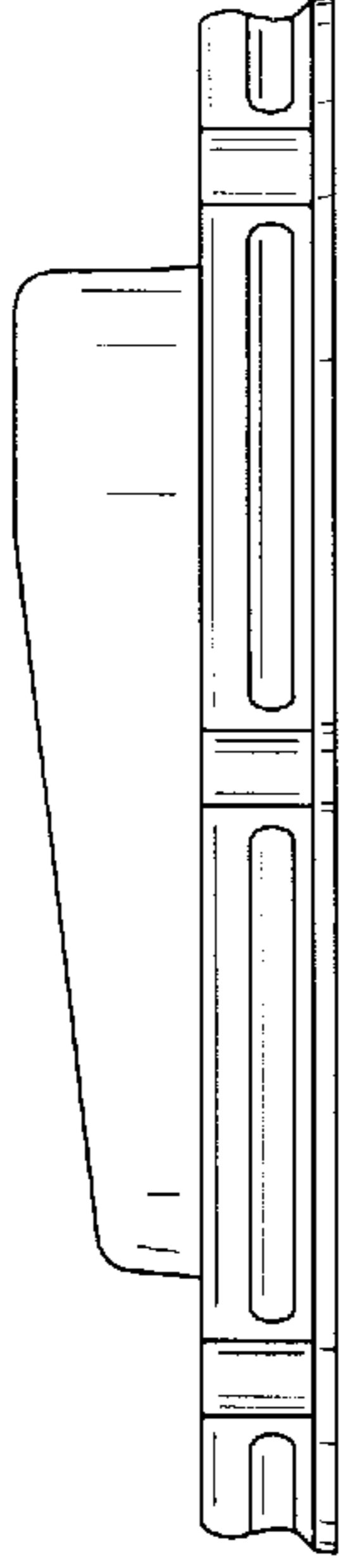


FIG. 4

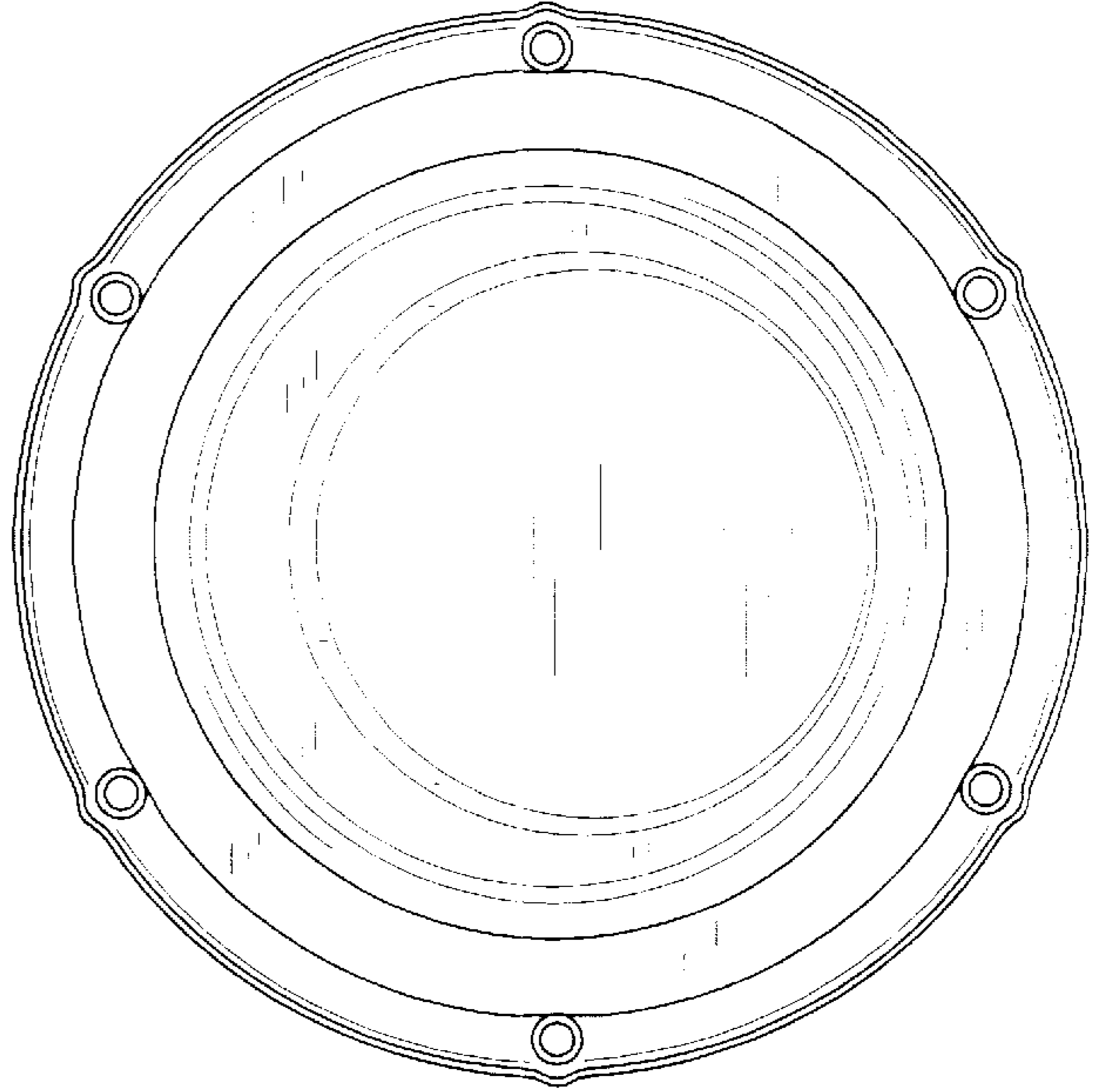


FIG. 1

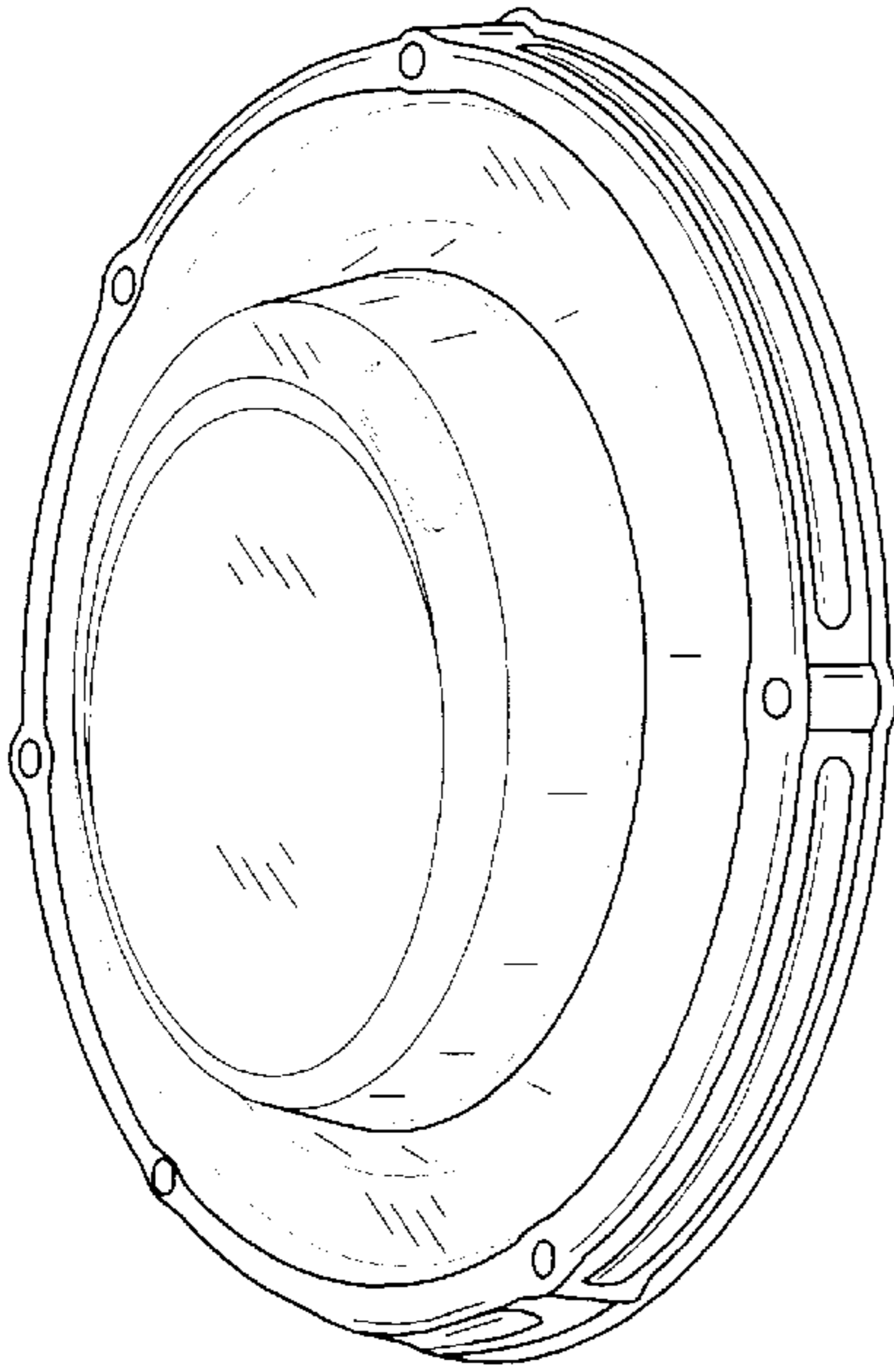


FIG. 3

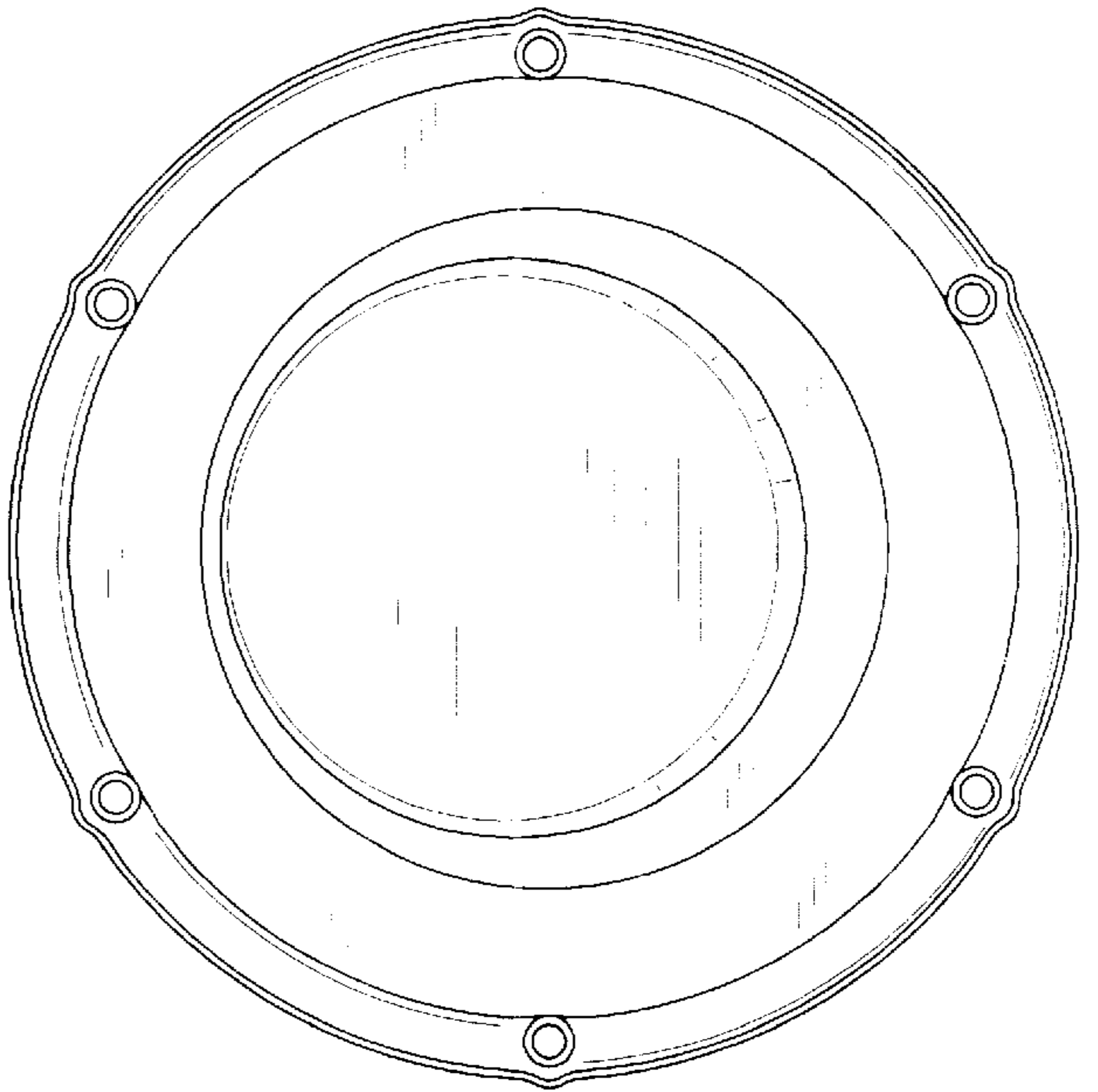


FIG. 5

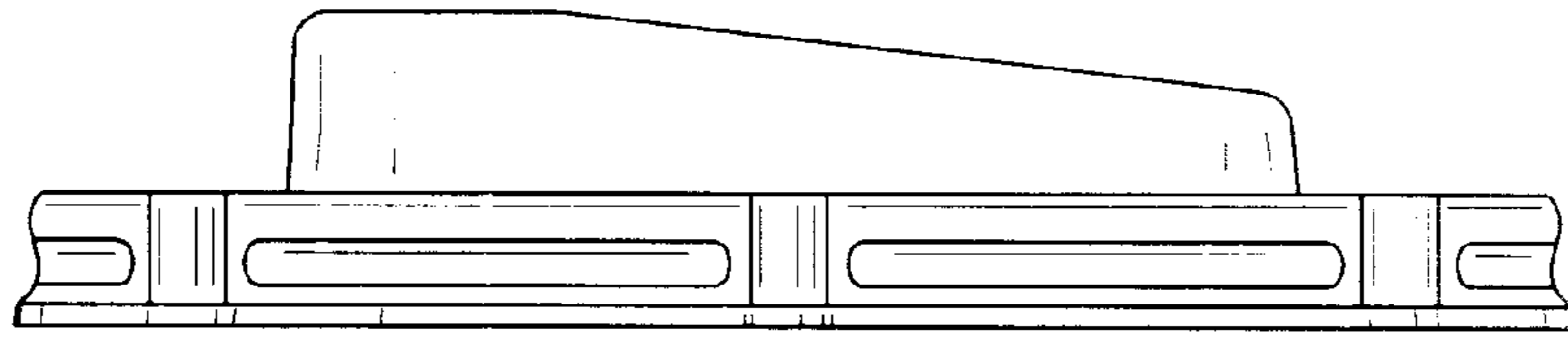


FIG. 6

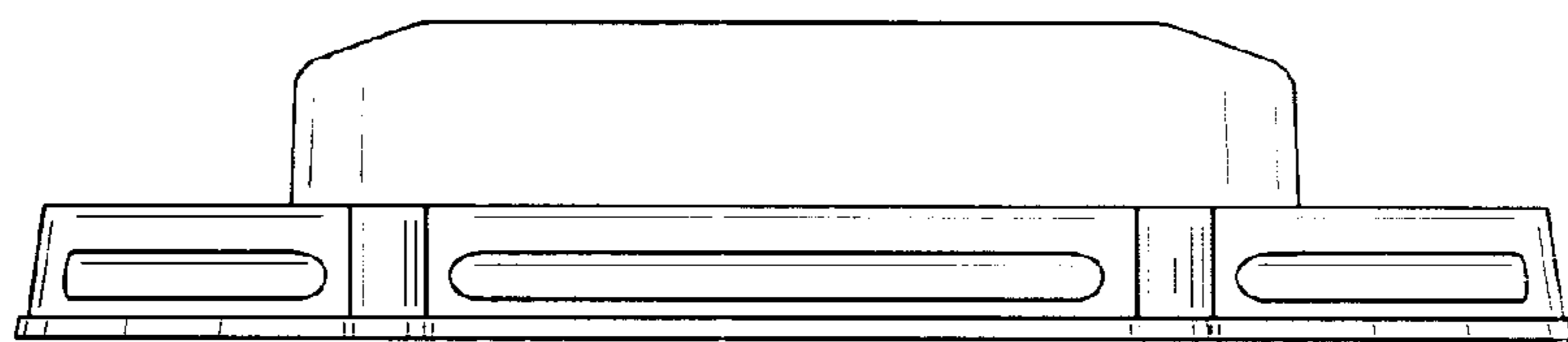


FIG. 7

