



US00D468202S

(12) **United States Design Patent**
Chou

(10) **Patent No.:** **US D468,202 S**

(45) **Date of Patent:** **** Jan. 7, 2003**

(54) **SEAL CONTAINER**

(76) **Inventor:** **Hsin-Hung Chou**, No.2, Alley 2, Lane
250, Wen Chang Street, Taipei City
(TW)

(**) **Term:** **14 Years**

(21) **Appl. No.:** **29/159,458**

(22) **Filed:** **Apr. 23, 2002**

(51) **LOC (7) Cl.** **09-03**

(52) **U.S. Cl.** **D9/429; D9/428; D9/425**

(58) **Field of Search** D9/420-426, 414,
D9/428, 429, 337, 431; D7/629, 601; D3/273,
294; 206/216, 808, 518, 521.1, 541; 229/406,
407, 87.08, 902, 904, 938; 220/674, 675,
556, 780, 796; 426/106

(56) **References Cited**

U.S. PATENT DOCUMENTS

- 4,705,172 A * 11/1987 Gage 220/380
- 4,795,056 A * 1/1989 Meyers 220/788
- 4,974,738 A * 12/1990 Kidd et al. 229/406
- D373,954 S * 9/1996 Wolff D9/429

- 5,607,709 A * 3/1997 Fritz et al. 426/106
- D415,025 S * 10/1999 McCann D9/429
- D415,420 S * 10/1999 Chen D9/428
- D450,537 S * 11/2001 Hayes D9/429
- D450,580 S * 11/2001 Littlejohn et al. D9/429

* cited by examiner

Primary Examiner—Prabhakar Deshmukh

(74) *Attorney, Agent, or Firm*—Rosenberg, Klein & Lee

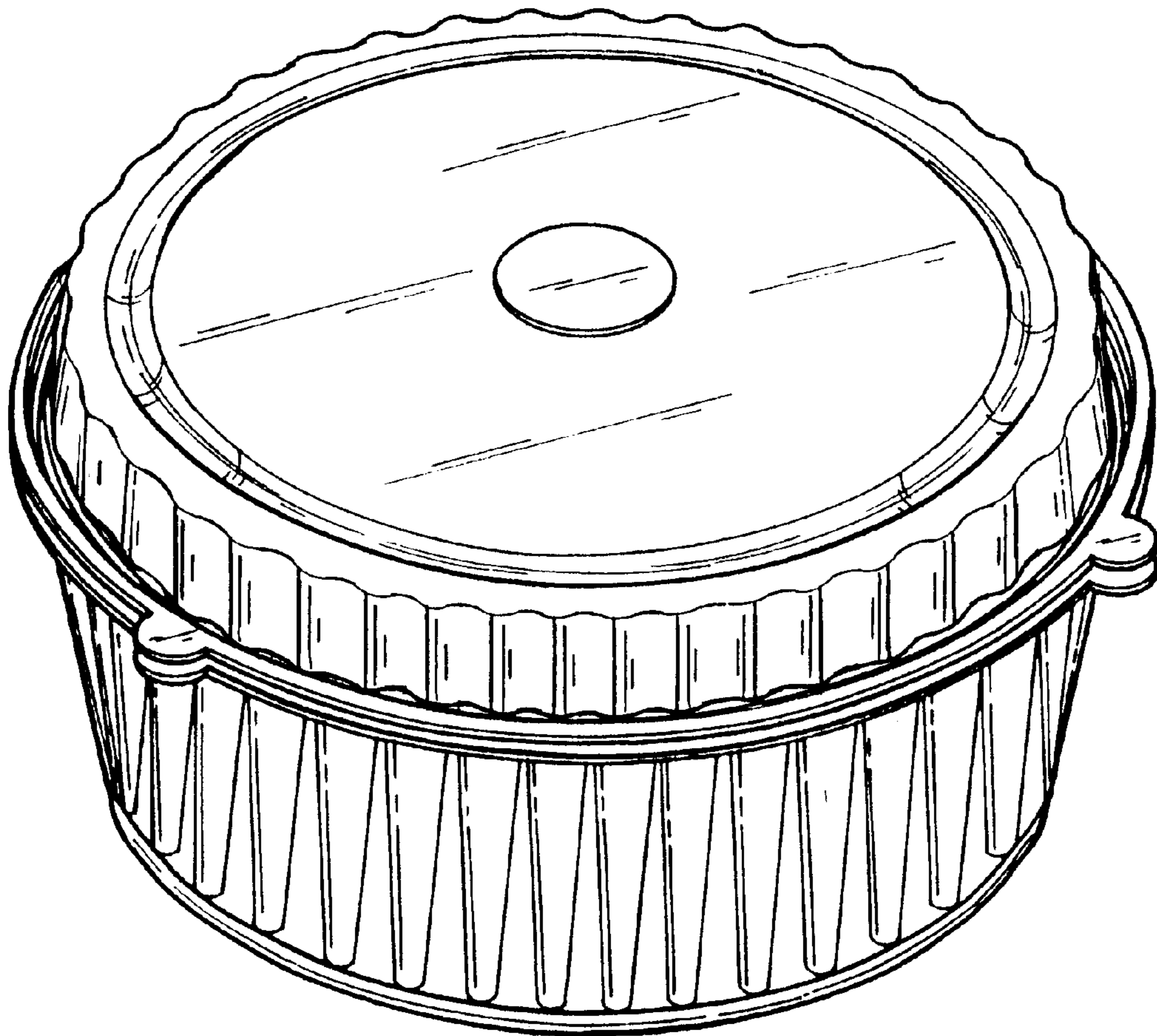
(57) **CLAIM**

The ornamental design for a seal container, as shown and described.

DESCRIPTION

FIG. 1 is a perspective view of a seal container showing my new design;
 FIG. 2 is a front view thereof;
 FIG. 3 is a rear view thereof;
 FIG. 4 is a right side elevational view thereof;
 FIG. 5 is a left side elevational view thereof;
 FIG. 6 is a top plan view thereof; and,
 FIG. 7 is a bottom plan view thereof.

1 Claim, 4 Drawing Sheets



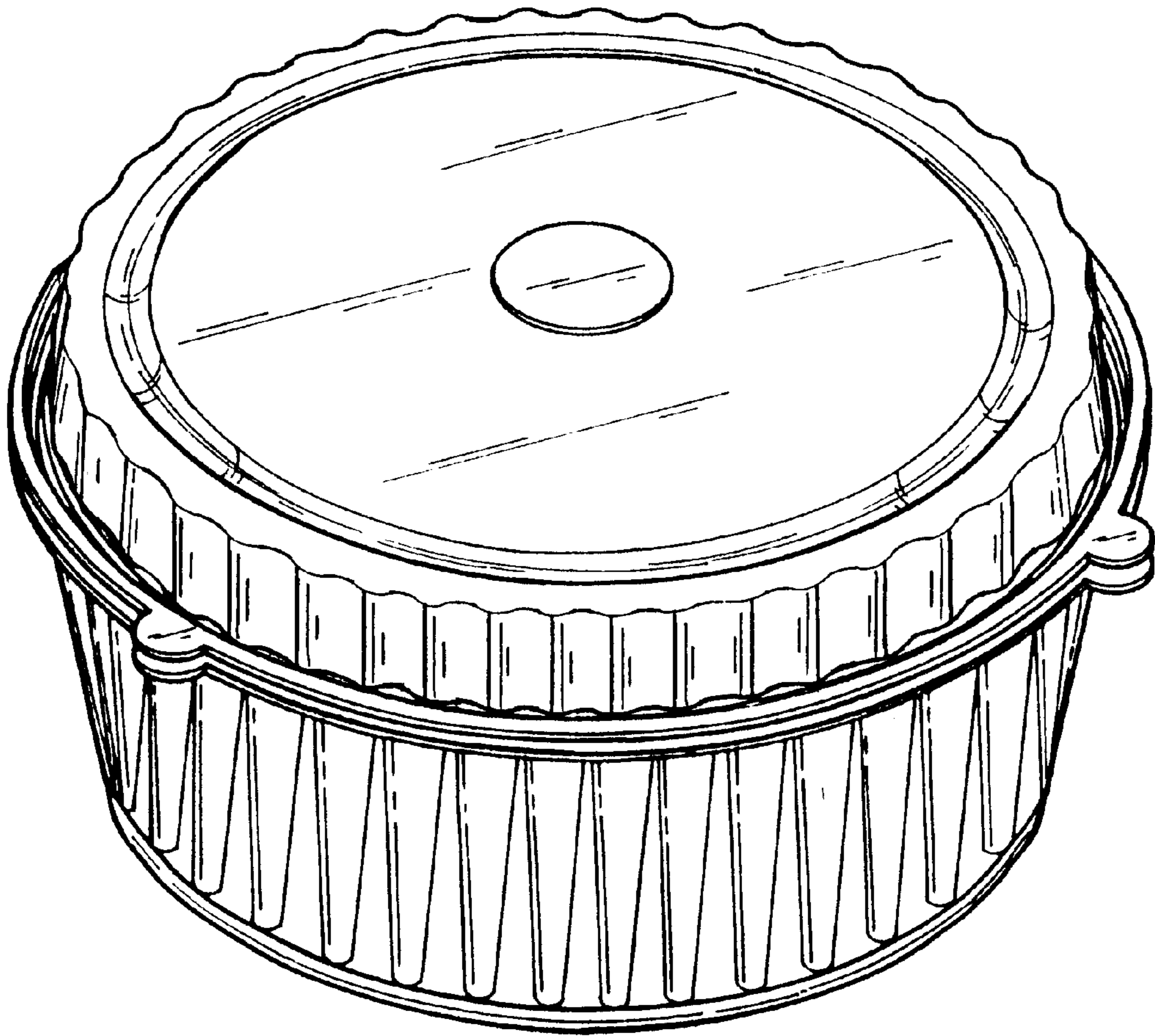


FIG.1

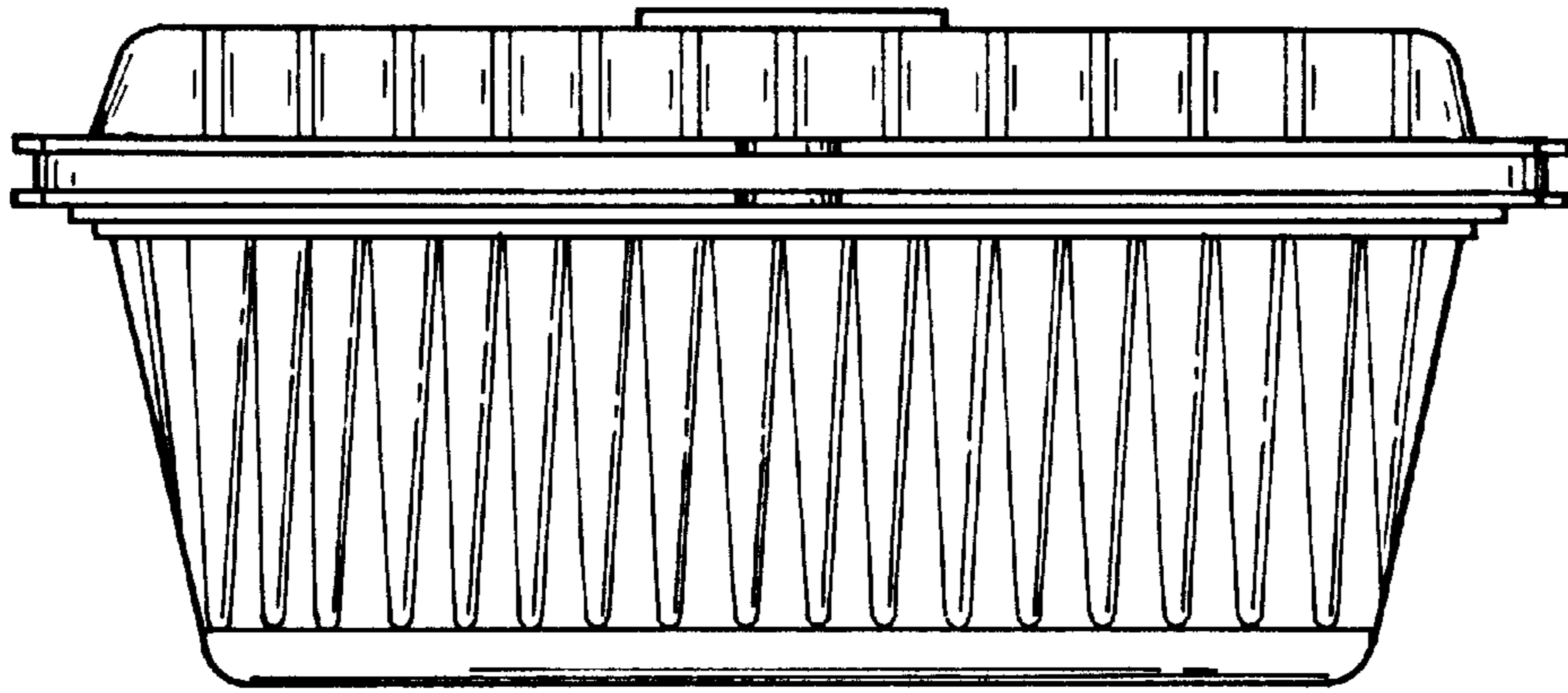


FIG. 2

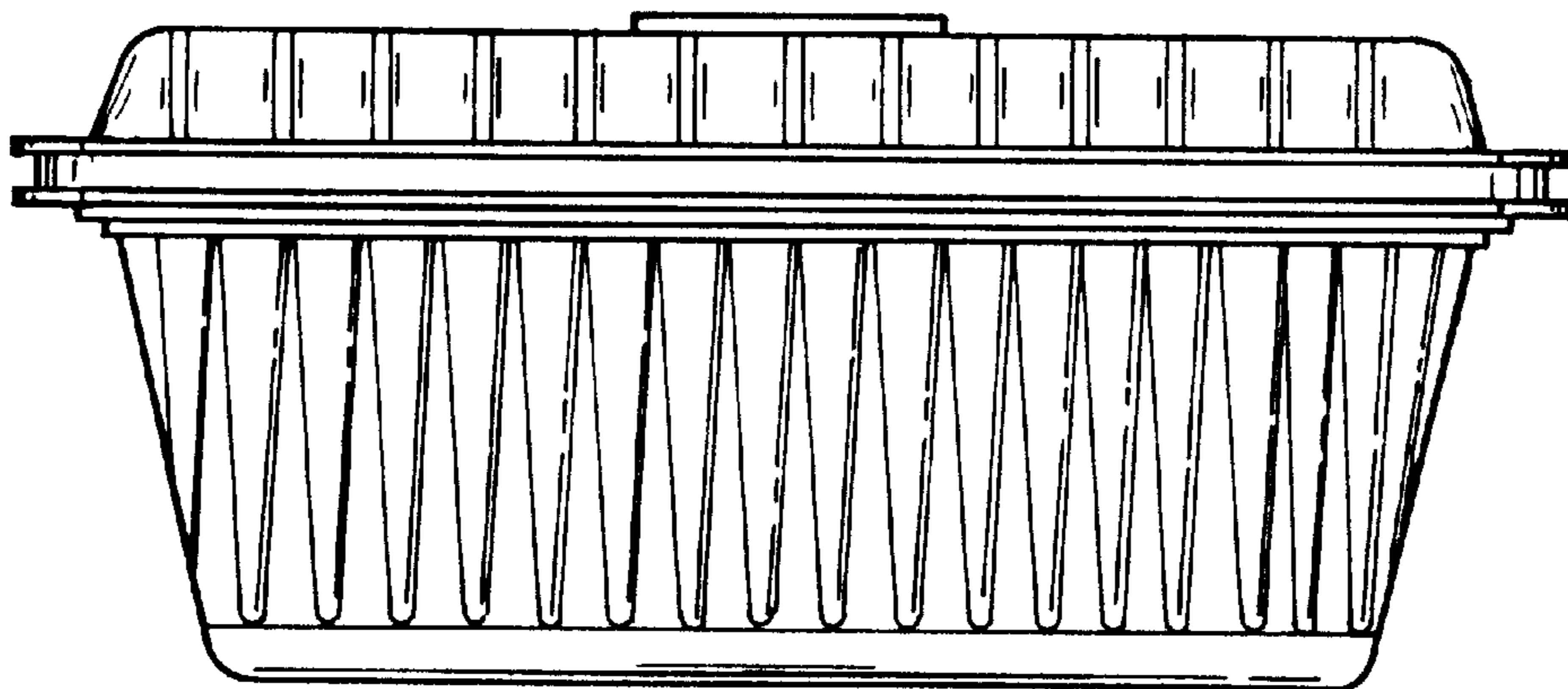


FIG. 3

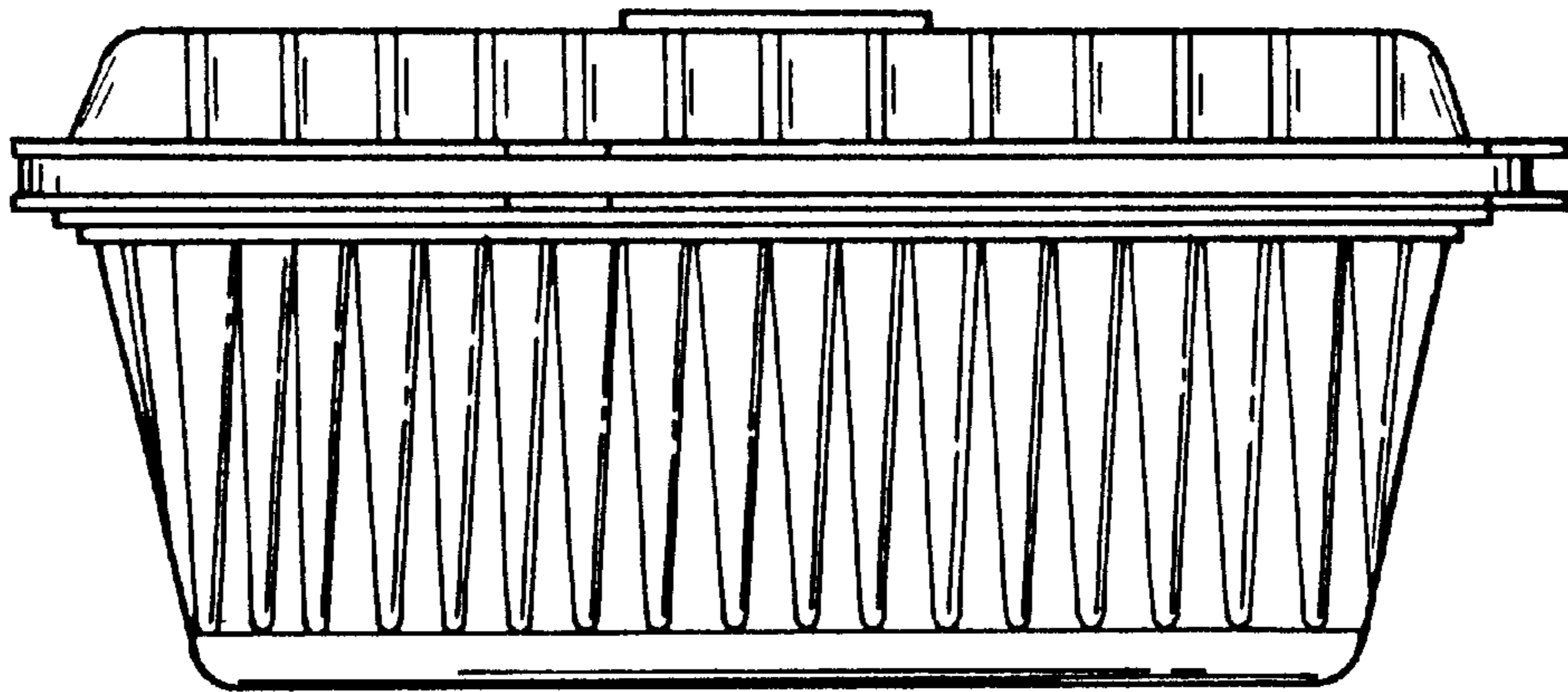


FIG. 4

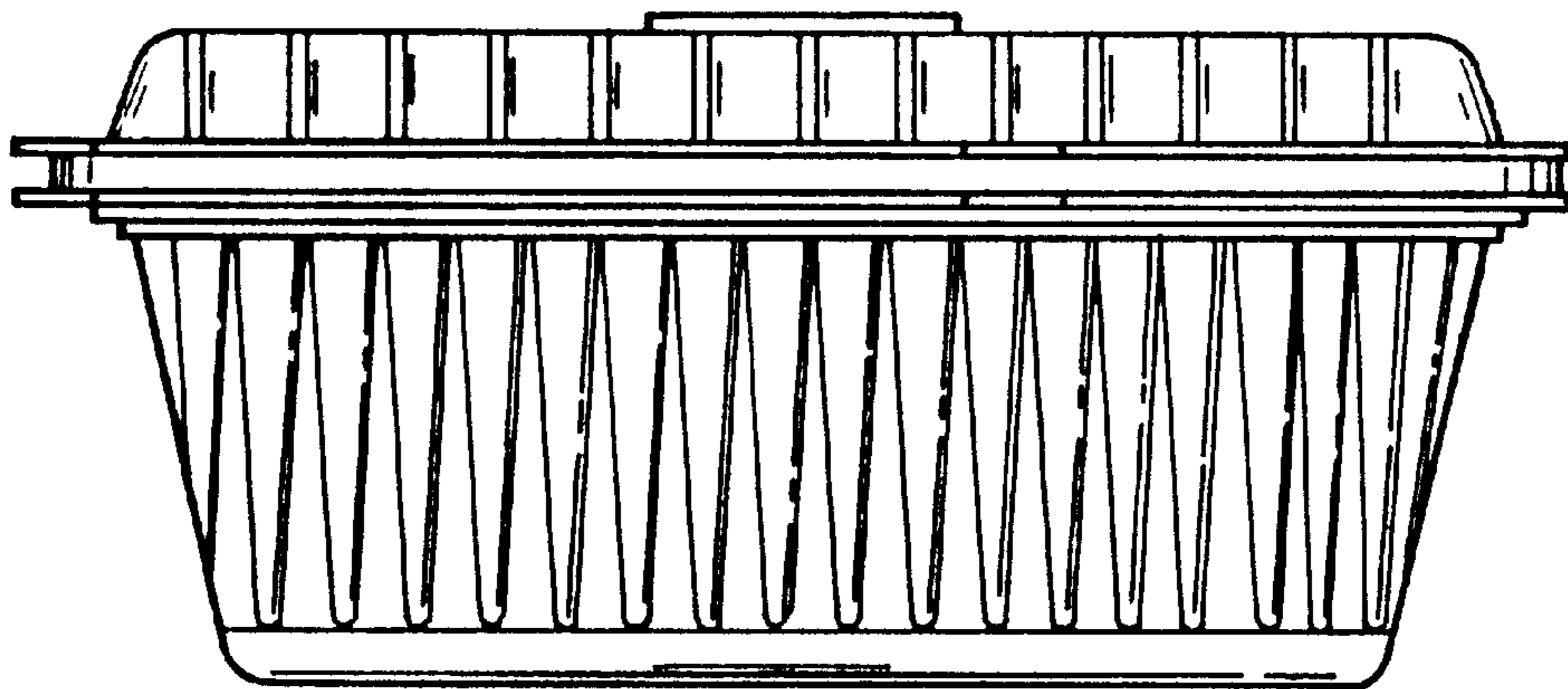


FIG. 5

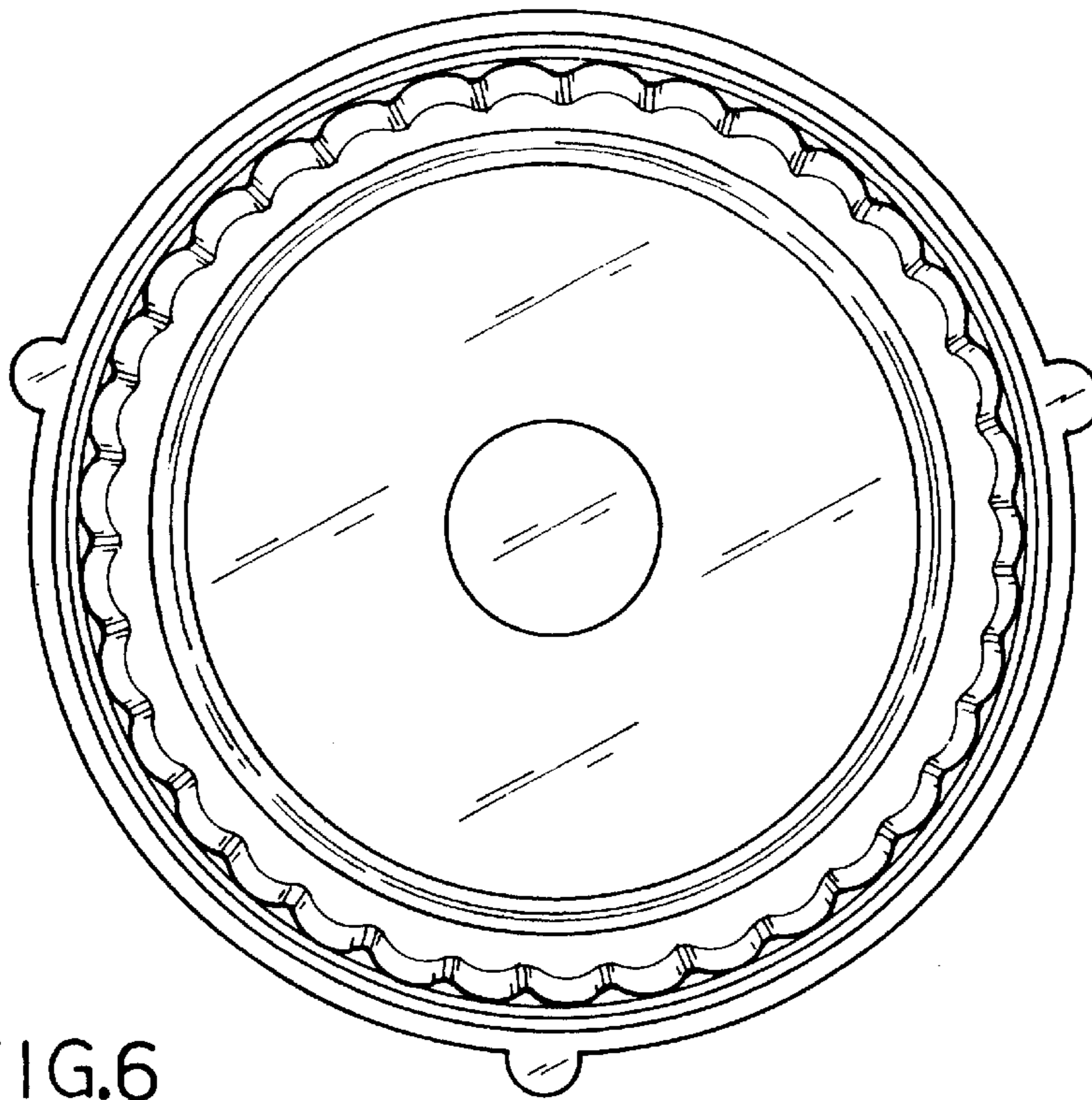


FIG. 6

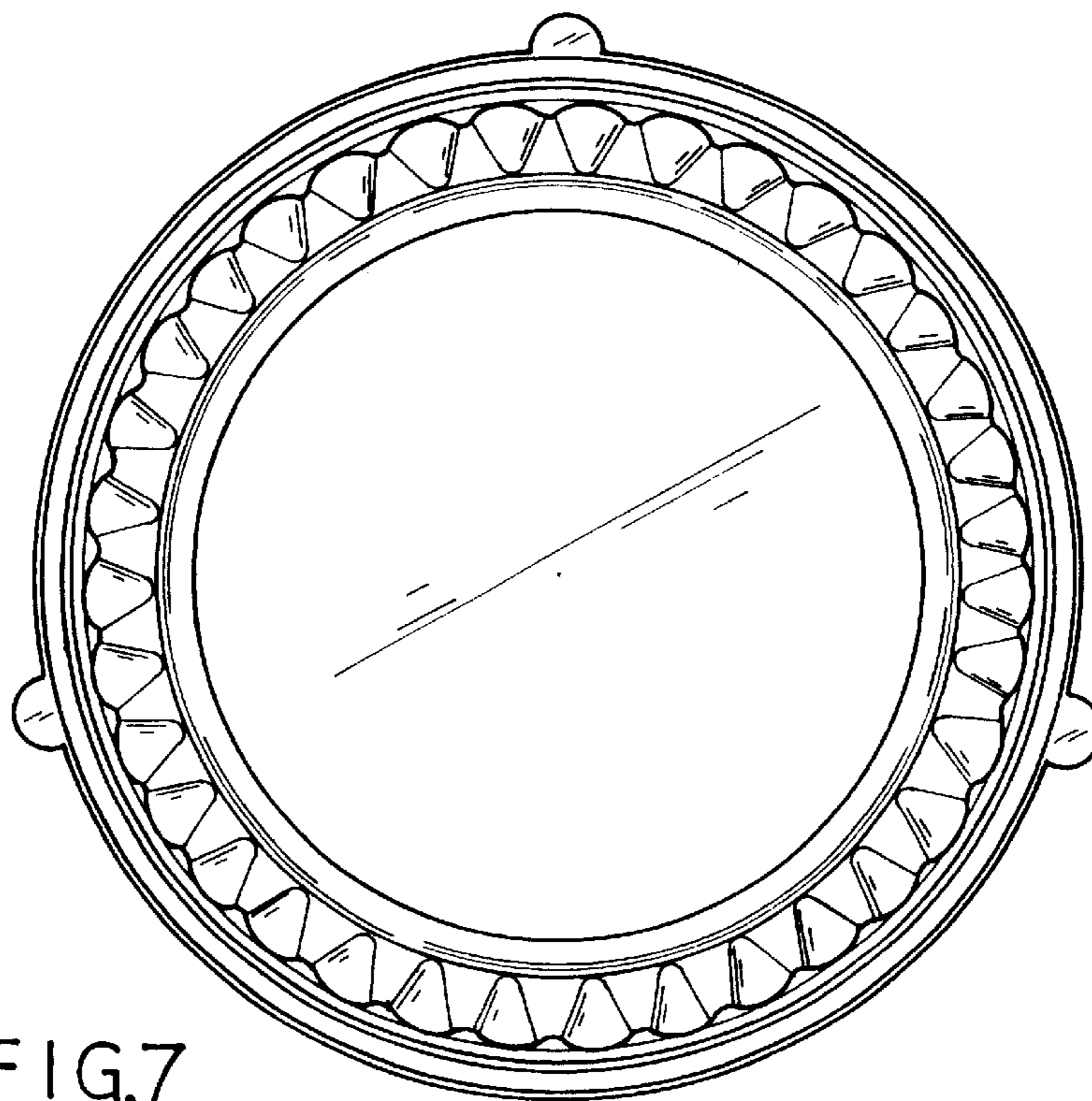


FIG. 7