



US00D468200S

(12) **United States Design Patent**
Kim et al.

(10) **Patent No.:** **US D468,200 S**
(45) **Date of Patent:** **** Jan. 7, 2003**

(54) **BOWL FOR INSTANT NOODLES**
(76) Inventors: **Kil-Taeg Kim**, 105-54, Sinrim-2-Dong
Kwanak-Gu, Seoul (KR); **Kwang-Bo**
Ahn, Sanbon-Dong, Gunpo,
Kyungki-Do (KR)

(**) Term: **14 Years**

(21) Appl. No.: **29/140,360**

(22) Filed: **Apr. 17, 2001**

(51) **LOC (7) Cl.** **09-03**

(52) **U.S. Cl.** **D9/428; D9/429; D9/431**

(58) **Field of Search** D9/428, 429, 424,
D9/425, 431; D7/608, 601, 641; 229/400-406,
407, 939, 915; 220/674, 675, 669, 670,
686, 659; 206/499, 501, 502, 821

(56) **References Cited**

U.S. PATENT DOCUMENTS

D192,191 S * 2/1962 Han D9/429
3,094,240 A * 6/1963 Wanderer 229/400
D196,332 S * 9/1963 Lynch D9/429

D198,058 S * 4/1964 Eicholtz D9/429
3,836,042 A * 9/1974 Petito 229/400
D271,083 S * 10/1983 Tyler D9/429
D288,065 S * 2/1987 Tyler D9/429

* cited by examiner

Primary Examiner—Prabhakar Deshmukh
(74) *Attorney, Agent, or Firm*—Bourque & Associates, PA

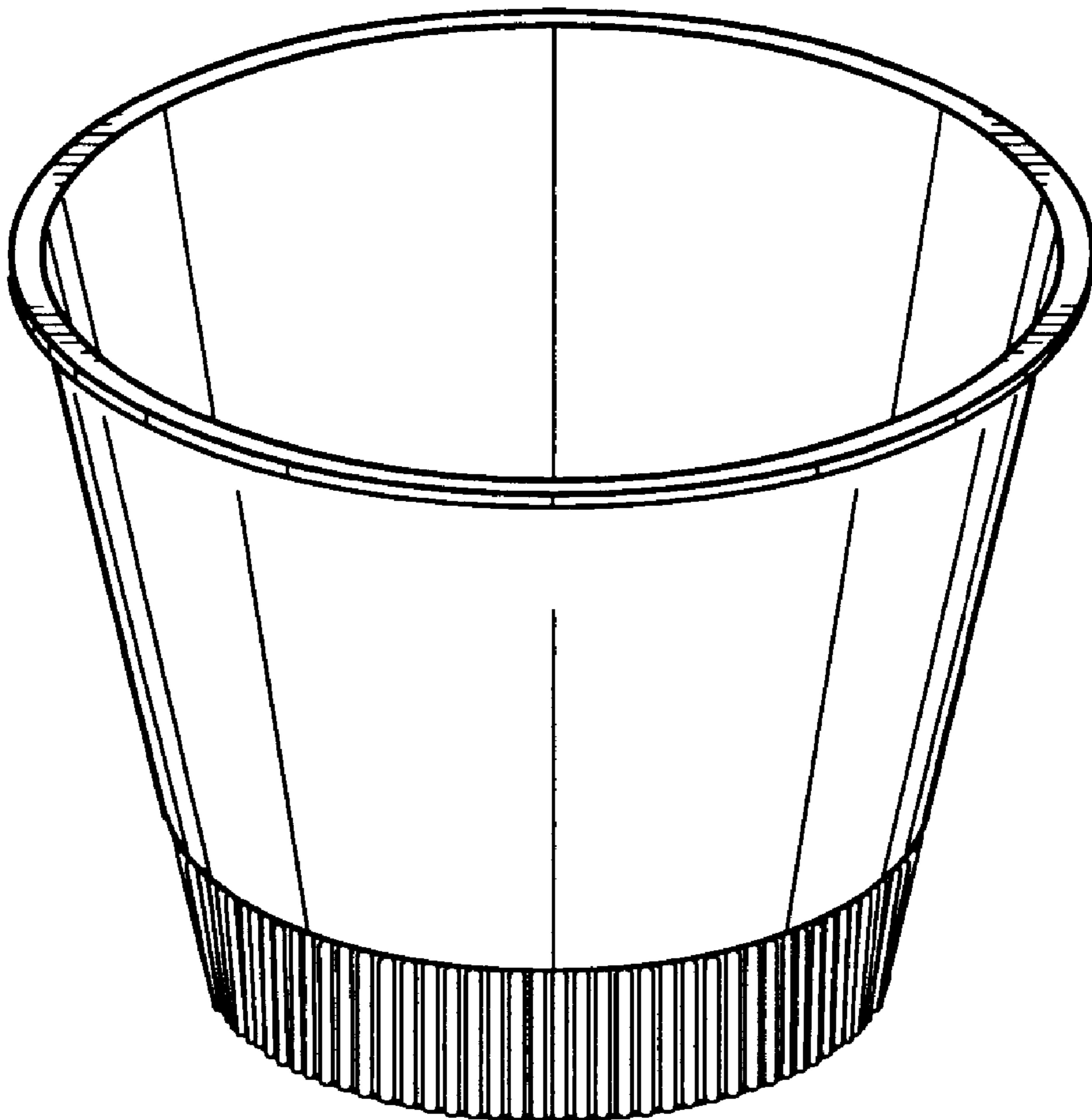
(57) **CLAIM**

The ornamental design for a bowl for instant noodles, as shown and described.

DESCRIPTION

FIG. 1 is a perspective view of the bowl for instant noodles according to the present invention;
FIG. 2 is a side view of the bowl for instant noodles according to the present invention, each side having the same view;
FIG. 3 is a top view of the interior of bowl for instant noodles of the present invention; and,
FIG. 4 is a bottom view of the bowl for instant noodles of the present invention.

1 Claim, 2 Drawing Sheets



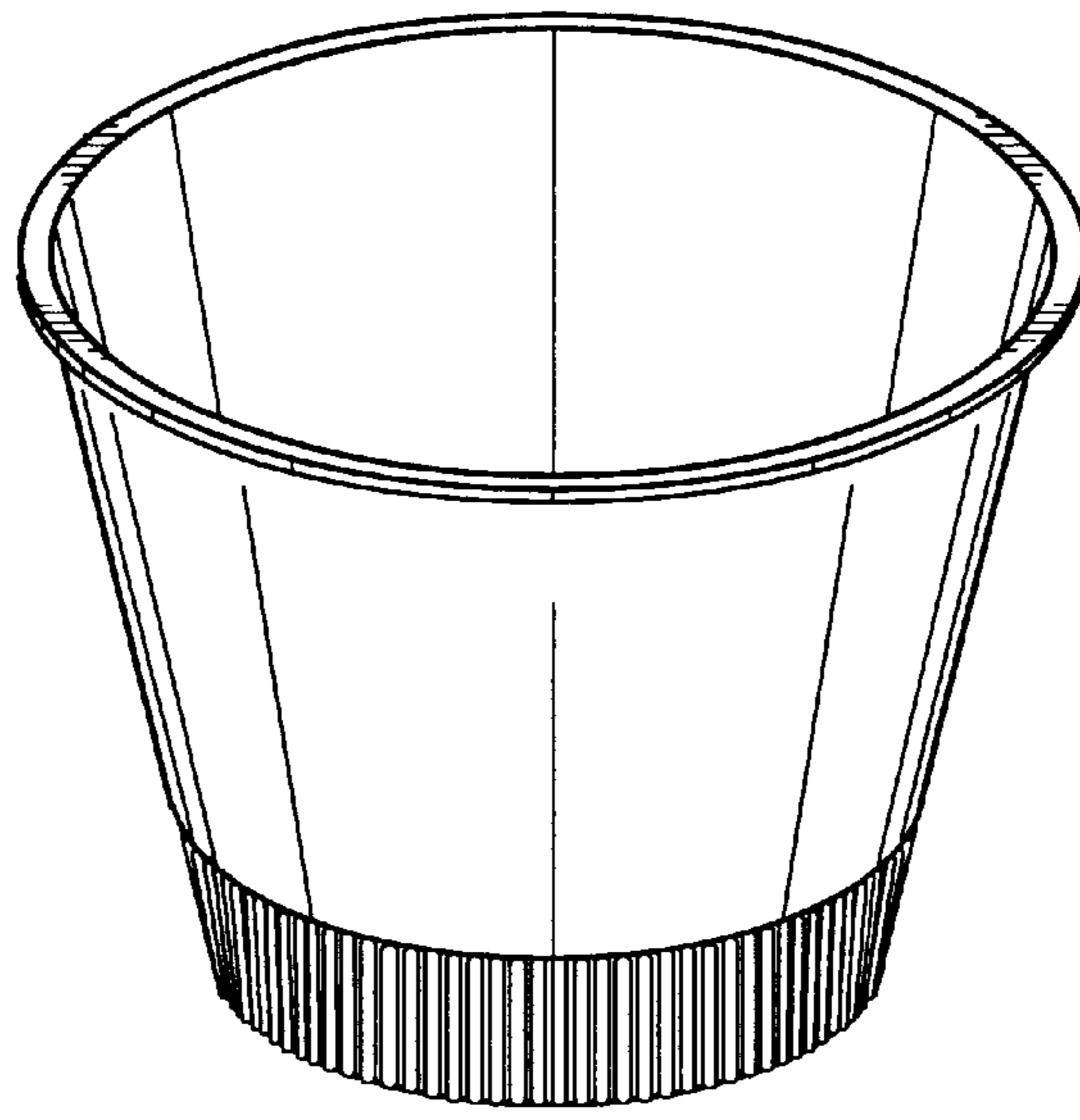


FIG. 1

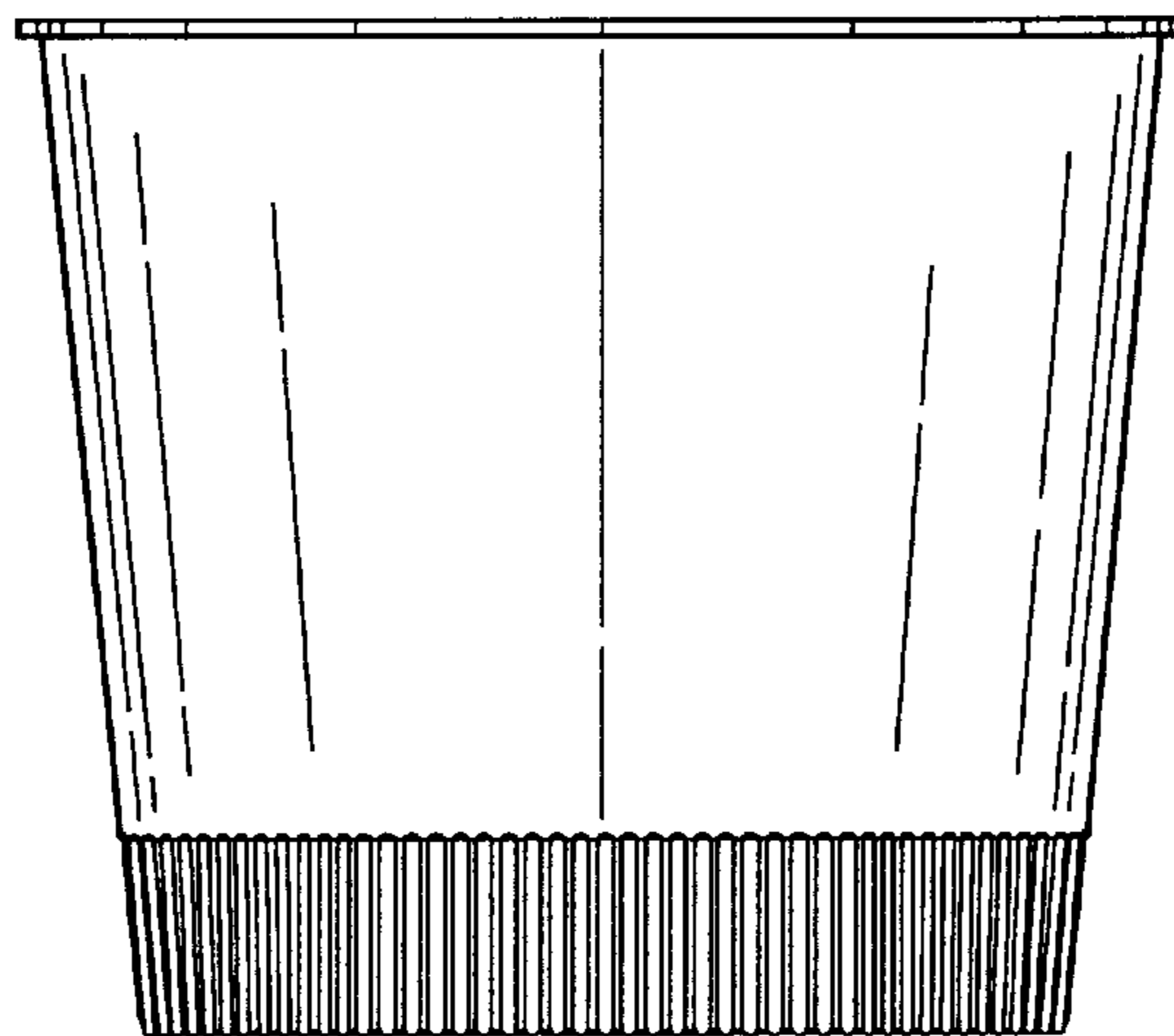


FIG. 2

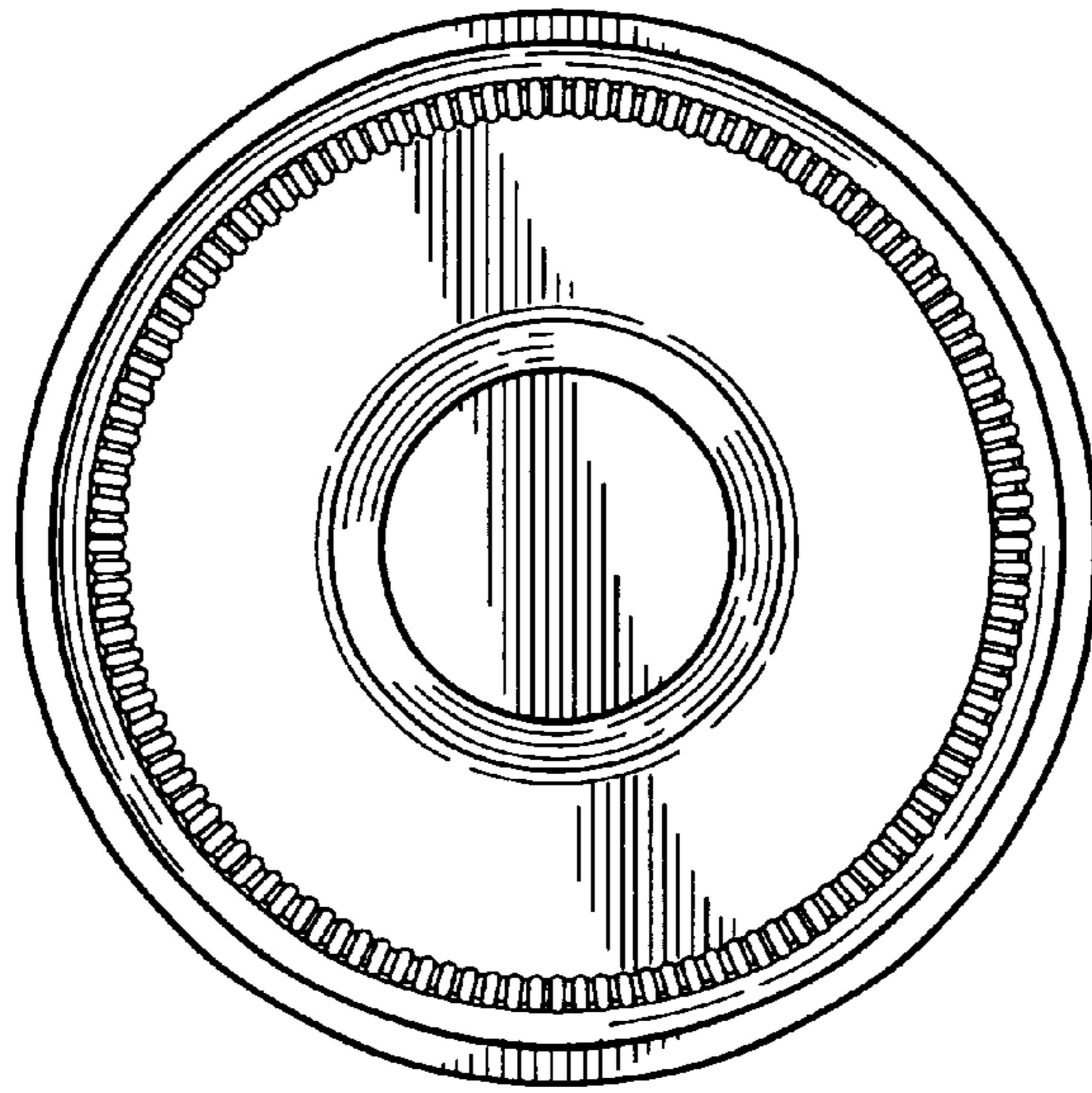


FIG. 3

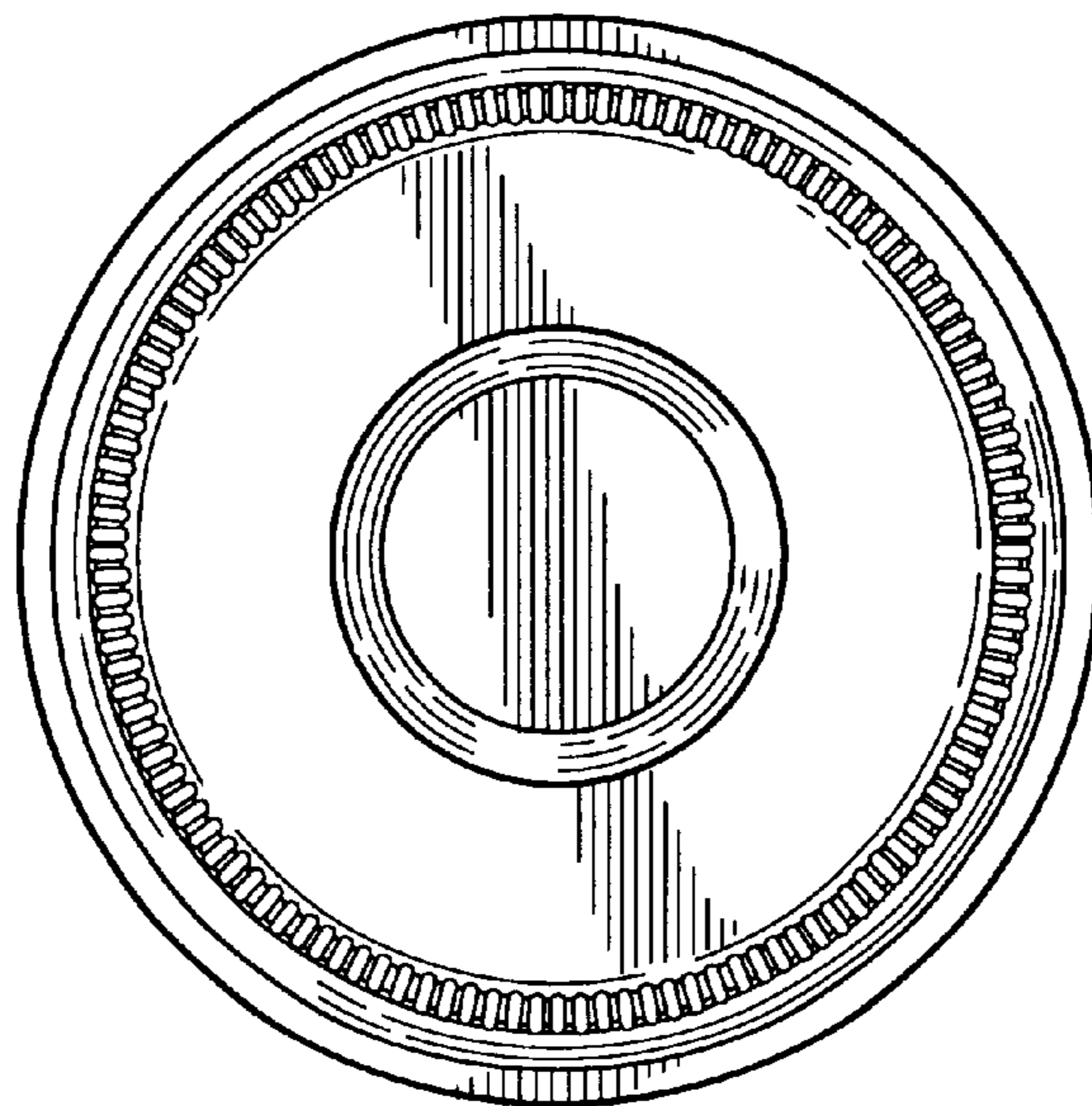


FIG. 4