



US00D468199S

(12) **United States Design Patent**  
**Lambelet, Jr. et al.**

(10) **Patent No.:** **US D468,199 S**  
(45) **Date of Patent:** **\*\* Jan. 7, 2003**

(54) **TRANSDERMAL PATCH CONTAINER**

D406,057 S \* 2/1999 Hager ..... D9/423

(75) Inventors: **Lawrence E. Lambelet, Jr.**,  
Flemington, NJ (US); **Martha Davis**,  
San Francisco, CA (US)

\* cited by examiner

*Primary Examiner*—Prabhakar Deshmukh

(73) Assignee: **Ortho-McNeil Pharmaceutical, Inc.**,  
Raritan, NJ (US)

(57) **CLAIM**

The ornamental design for transdermal patch container, as shown and described.

(\*\*) Term: **14 Years**

**DESCRIPTION**

(21) Appl. No.: **29/152,157**

FIG. 1 is a perspective view of the transdermal patch container as seen from the top, front and right sides.

(22) Filed: **Dec. 14, 2001**

FIG. 2 is a right side elevational view thereof, the left side elevation being a mirror image.

(51) **LOC (7) Cl.** ..... **09-03**

FIG. 3 is a top plan view thereof.

(52) **U.S. Cl.** ..... **D9/423; D9/424; D9/426**

FIG. 4 is a front elevational view thereof.

(58) **Field of Search** ..... D9/420-426, 432,  
D9/337; D3/201, 203, 294; 206/569, 570,  
307, 308.1, 528, 530, 539, 508, 566, 565,  
828, 37; 220/4.21-4.25, 836-841

FIG. 5 is a rear elevational view thereof.

FIG. 6 is a bottom plan view thereof.

(56) **References Cited**

FIG. 7 is a perspective view of the container of FIG. 1 shown in the open position and as seen from the top, front and right sides.

**U.S. PATENT DOCUMENTS**

- D106,777 S \* 11/1937 Voigt et al. .... D3/294
- 2,559,528 A \* 7/1951 Barrett ..... 206/37
- 3,043,354 A \* 7/1962 Fitzgerald ..... 220/4.23
- 3,968,921 A \* 7/1976 Jewell ..... 220/836
- 4,863,034 A \* 9/1989 Contreras, Sr. .... 206/581
- D309,431 S \* 7/1990 Sheehan ..... D9/424
- D326,226 S \* 5/1992 Gerhart ..... D9/423
- D332,048 S \* 12/1992 Pennell ..... D9/423
- 5,323,924 A \* 6/1994 Wolff ..... 206/566
- D373,952 S \* 9/1996 Exarhos et al. .... D9/423

FIG. 8 is a right side elevational view of the container of FIG. 1 shown in the open position, the left side elevation being a mirror image.

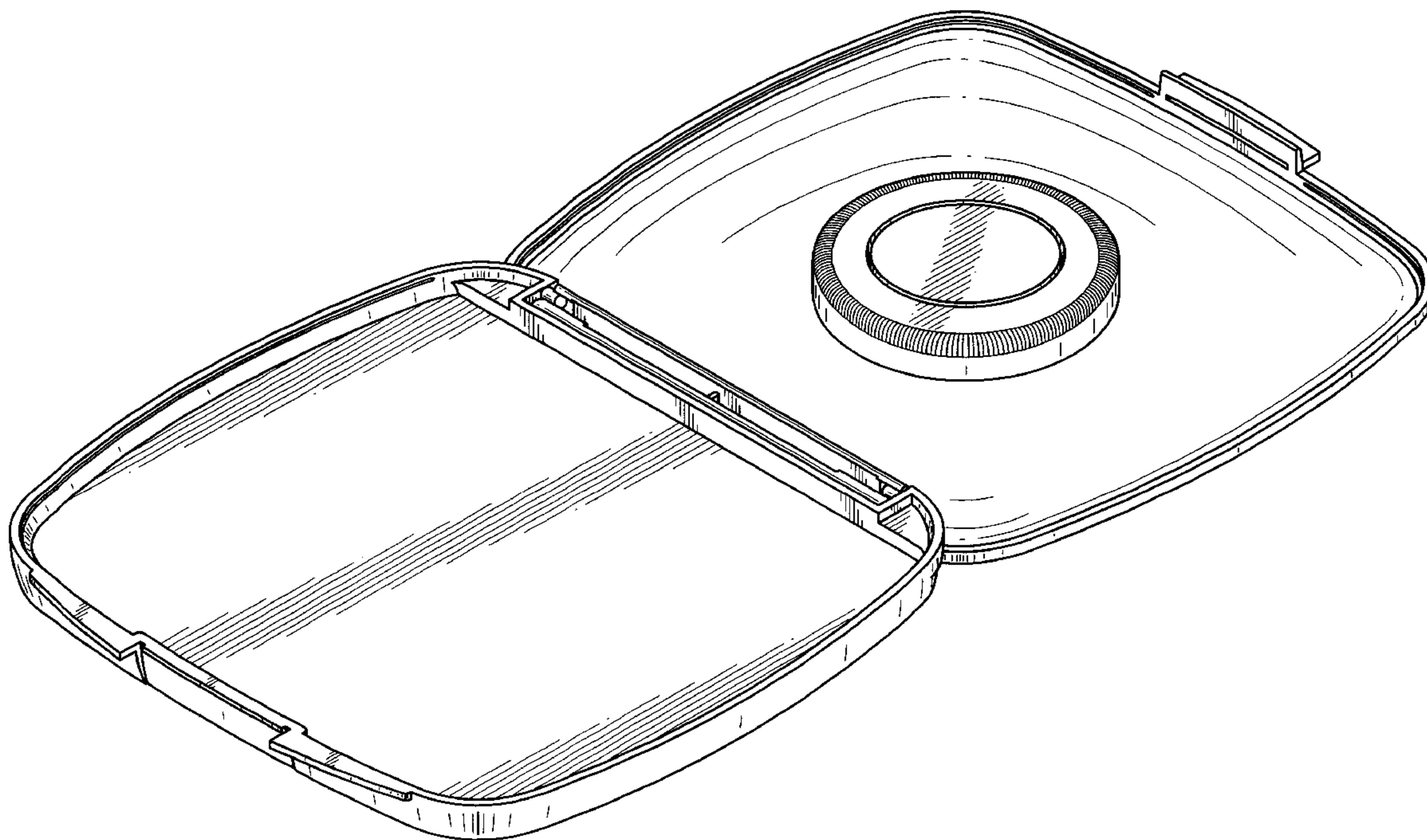
FIG. 9 is a top plan view of the container of FIG. 1 shown in its open position.

FIG. 10 is a front elevational view of the container of FIG. 1 shown in its open position.

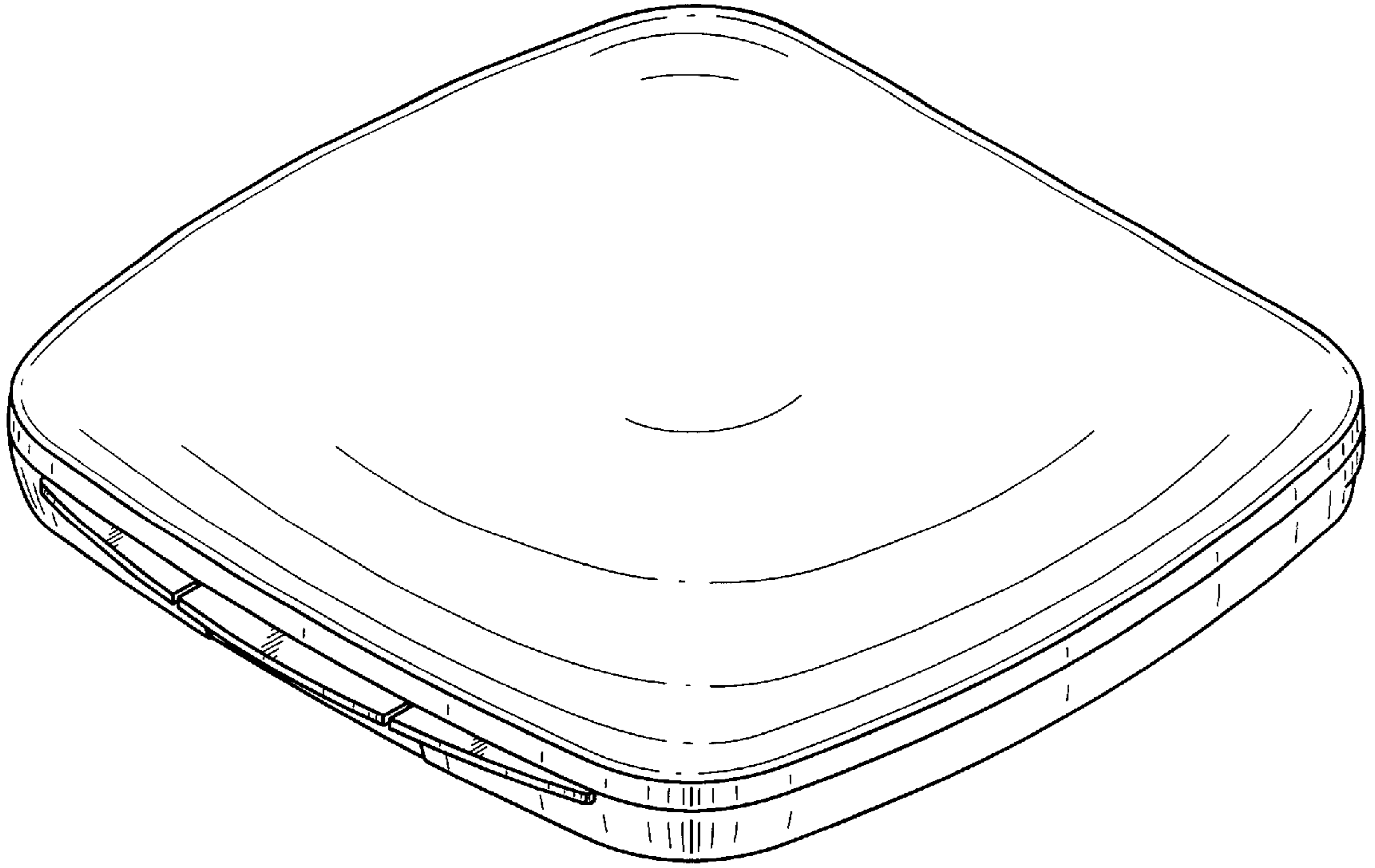
FIG. 11 is a rear elevational view of the container of FIG. 1 shown in its open position; and,

FIG. 12 is a bottom plan view of the container of FIG. 1 shown in its open position.

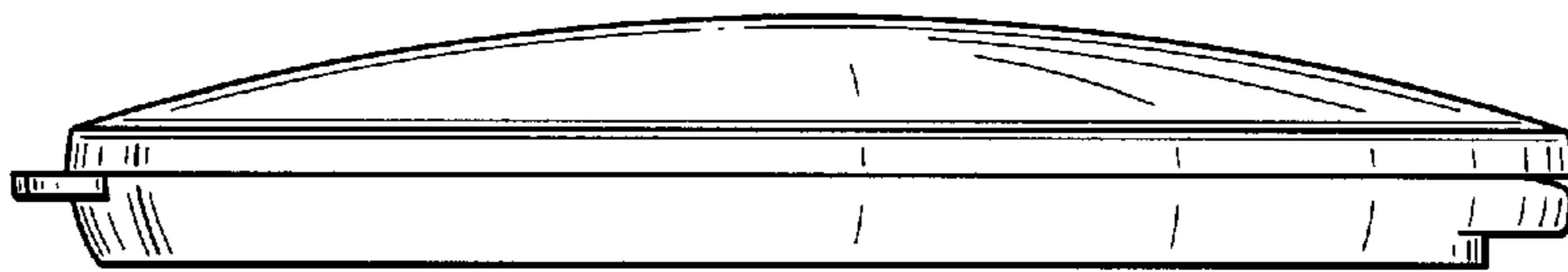
**1 Claim, 7 Drawing Sheets**



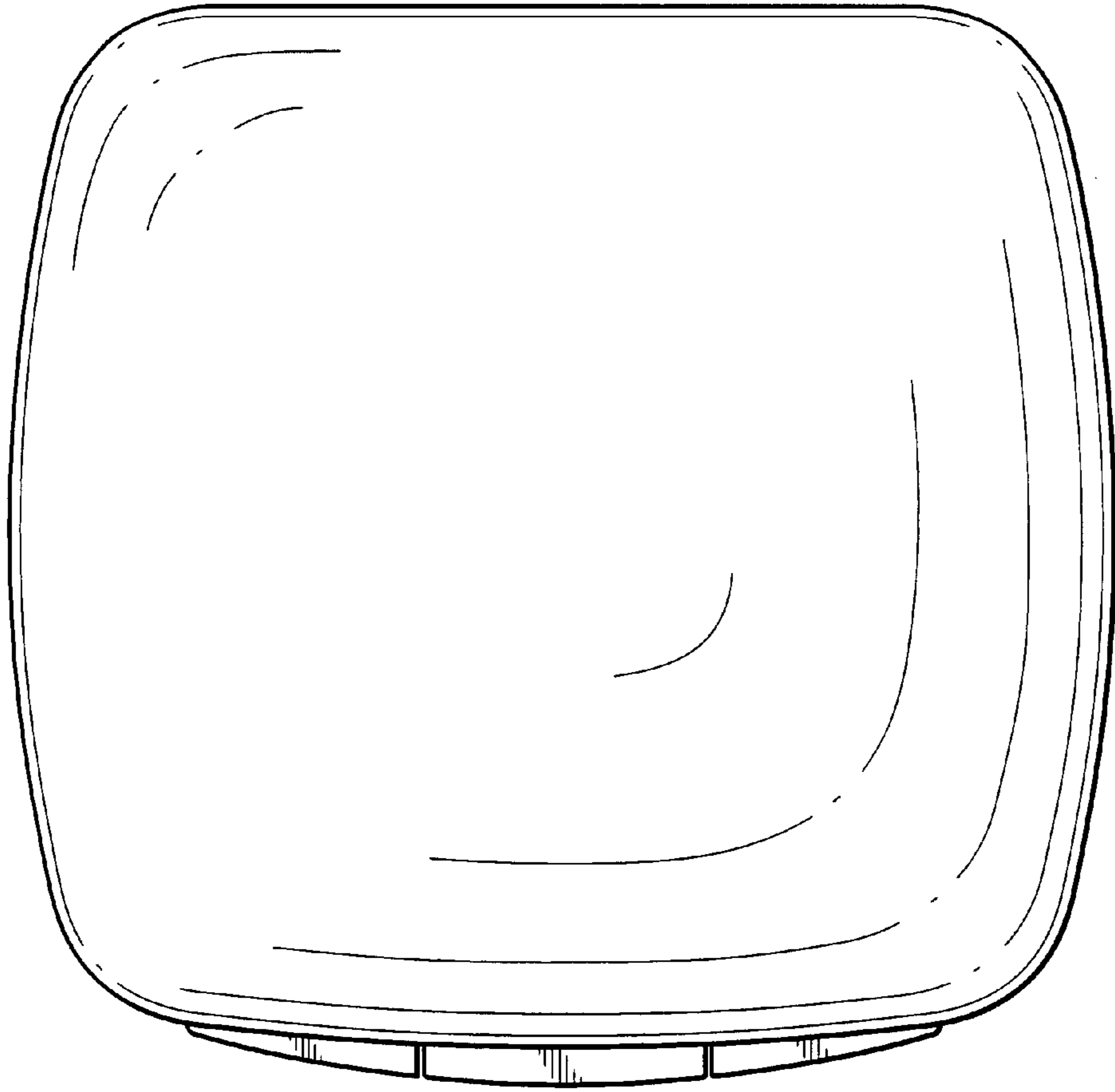
**FIG. 1**



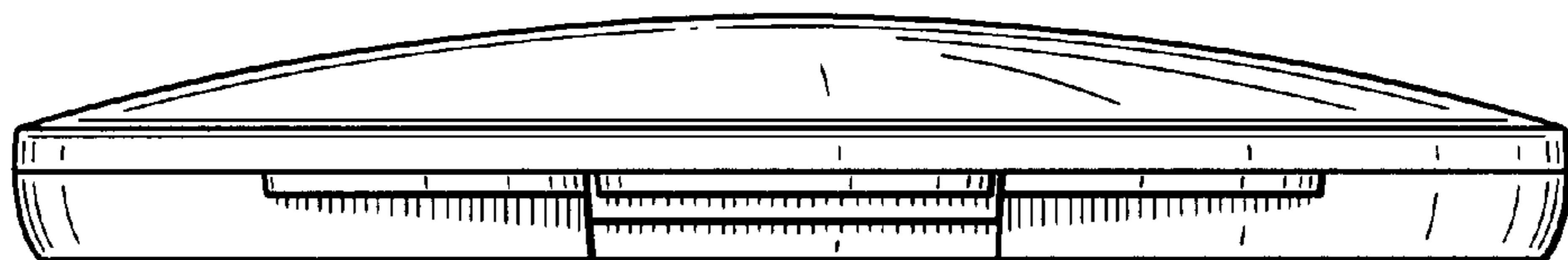
**FIG. 2**



**FIG. 3**



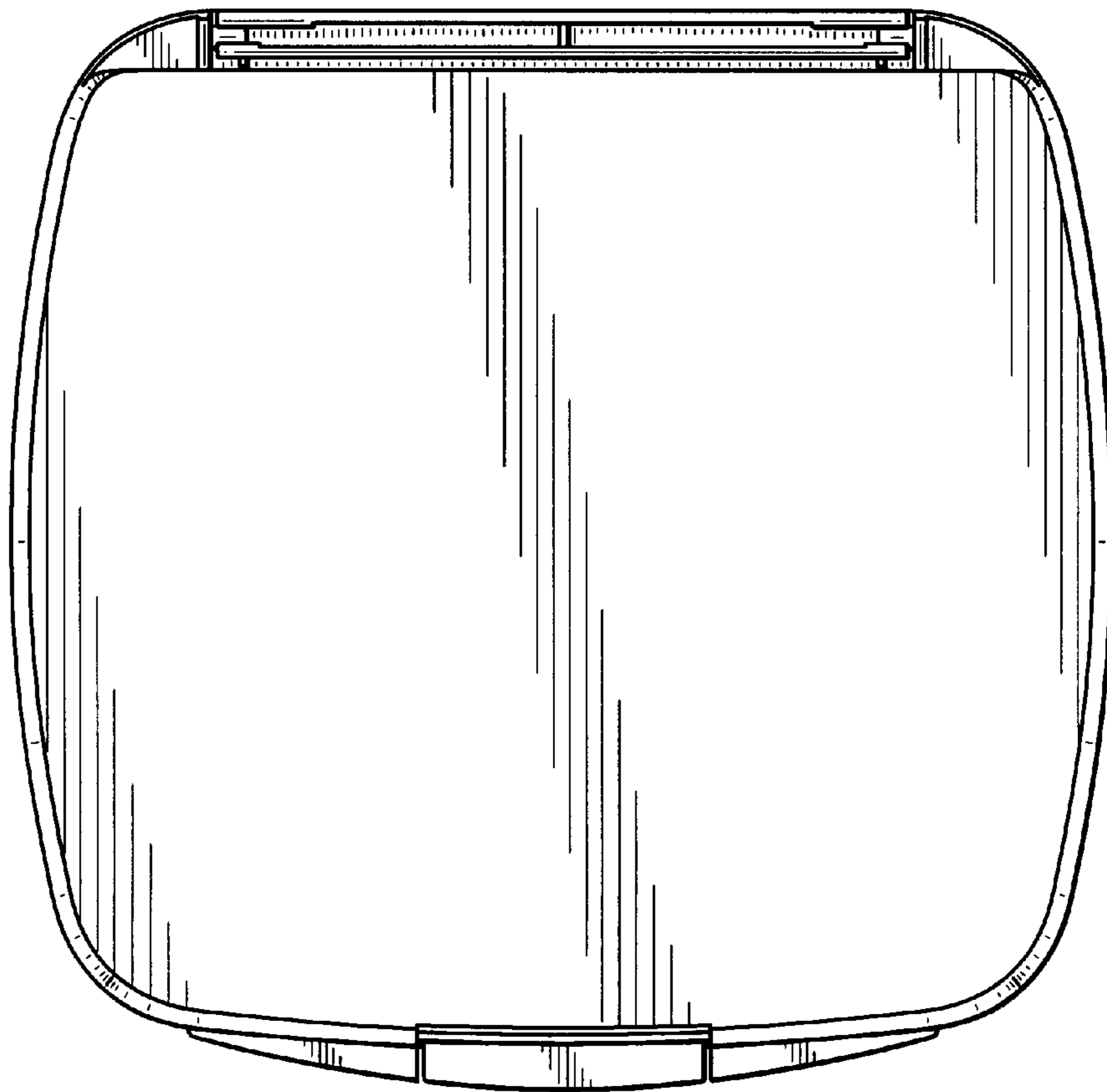
**FIG. 4**



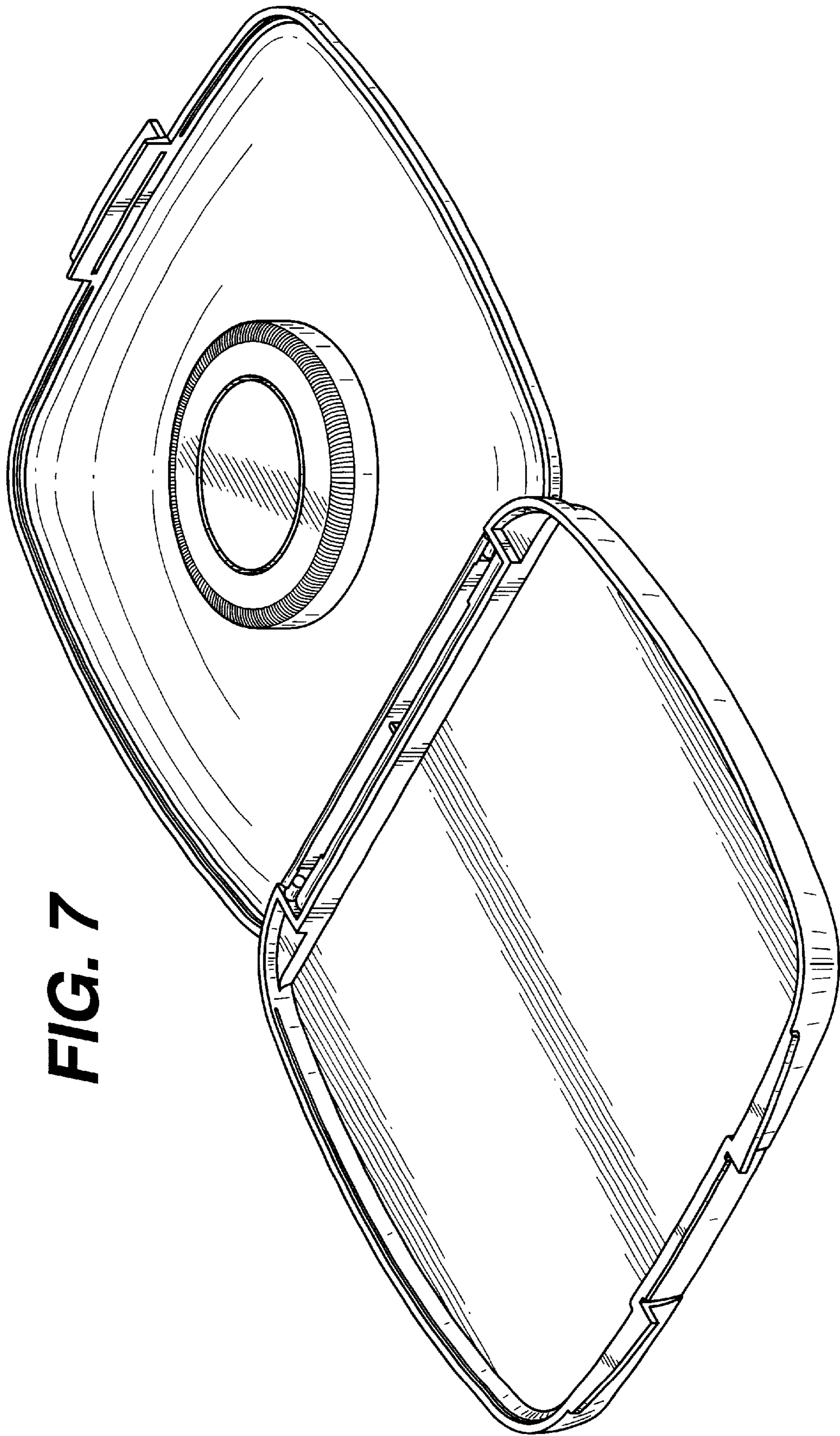
**FIG. 5**



**FIG. 6**

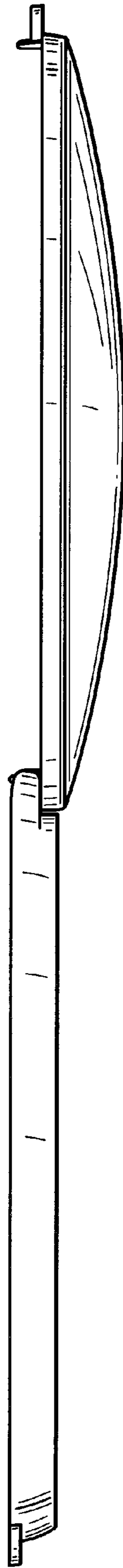




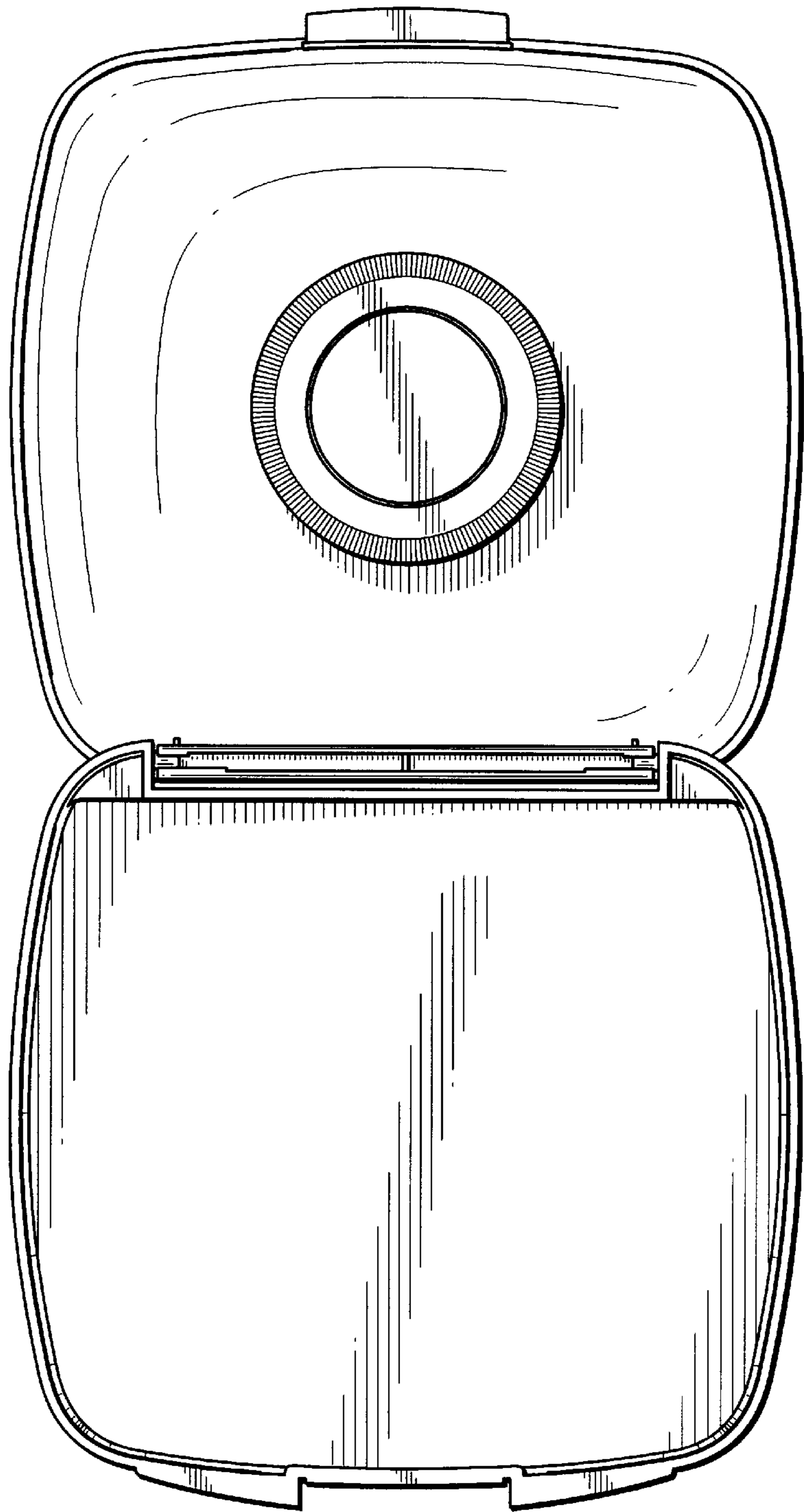


**FIG. 7**

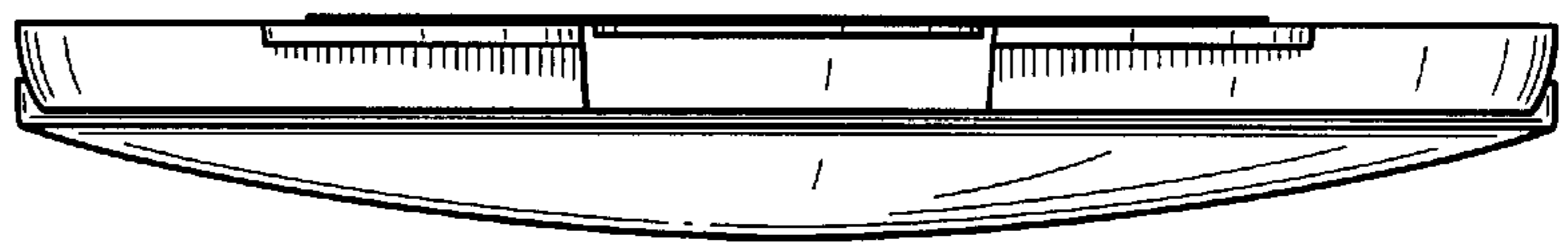
**FIG. 8**



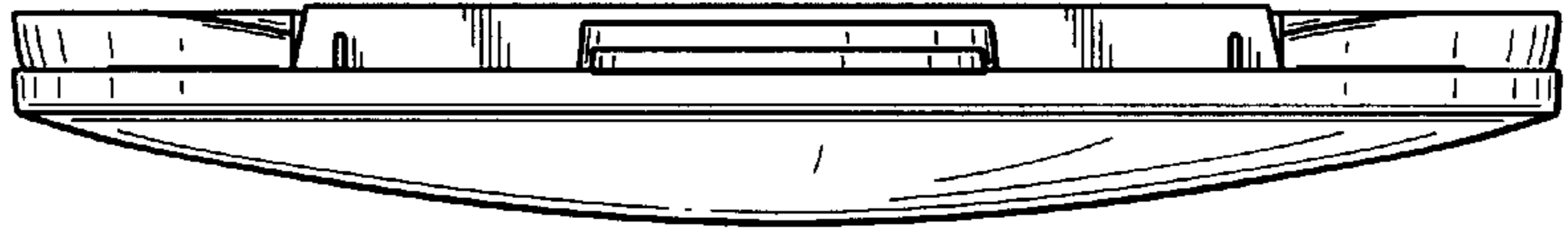
**FIG. 9**



**FIG. 10**



**FIG. 11**



**FIG. 12**

