



US00D468195S

(12) **United States Design Patent**
Bell

(10) **Patent No.:**

US D468,195 S

(45) **Date of Patent:**

**** Jan. 7, 2003**

(54) **BAG FOR DISTRIBUTION OF PARTICULATE MATERIALS HAVING HANDLE**

(75) Inventor: **Gary M. Bell**, Crystal, MN (US)

(73) Assignee: **Kapak Corporation**, Minneapolis, MN (US)

(**) Term: **14 Years**

(21) Appl. No.: **29/149,300**

(22) Filed: **Oct. 5, 2001**

(51) **LOC (7) Cl.** **09-01**

(52) **U.S. Cl.** **D9/305**

(58) **Field of Search** D9/305, 306, 415; D3/293, 300, 303; 383/9, 10, 11, 63, 84, 86, 102-104, 210, 211

(56) **References Cited**

U.S. PATENT DOCUMENTS

383,327 A	5/1888	Starr
2,001,149 A	5/1935	Monschein
2,163,324 A	6/1939	Reinhold
2,390,822 A	12/1945	Wren
2,442,646 A	6/1948	Fields
2,865,768 A	12/1958	Barnes et al.
3,159,096 A	12/1964	Tocker
3,174,644 A	3/1965	Kaltman et al.
3,229,813 A	1/1966	Crowe, Jr. et al.
3,380,646 A	4/1968	Doyen et al.
3,456,867 A	7/1969	Repko
3,462,069 A	8/1969	Suominen
3,741,778 A	6/1973	Rowe
3,807,118 A	4/1974	Pike

(List continued on next page.)

FOREIGN PATENT DOCUMENTS

AT	230565	12/1963
BE	516001	12/1952
CA	1106317	8/1981
DE	22 65 145	9/1976
DE	2933-151	2/1981

EP	0 345 930	12/1989
EP	0 537 109	4/1993
FR	1513052	2/1968
GB	1204462	9/1970
JP	2-4651	1/1990
JP	3-133747	6/1991
JP	3-289451	12/1991
WO	WO 94/00363	1/1994

Primary Examiner—Paula A. Mortimer

(74) *Attorney, Agent, or Firm*—Merchant & Gould P.C.

(57) **CLAIM**

The ornamental design for bag for distribution of particulate materials having handle, as shown and described.

DESCRIPTION

FIG. 1 is a top plan view of a first embodiment of a bag for distribution of particulate materials having handle; the bottom plan view being a mirror image thereof; the left, right, front, and back views being plain and unornamented;

FIG. 2 is a top plan view of a second embodiment of my new design, the bottom plan view being a mirror image thereof; FIG. 3 is a left elevational view of the design depicted in FIG. 2, the right elevational view being a mirror image thereof;

FIG. 4 is a rear elevational view of the design depicted in FIG. 2;

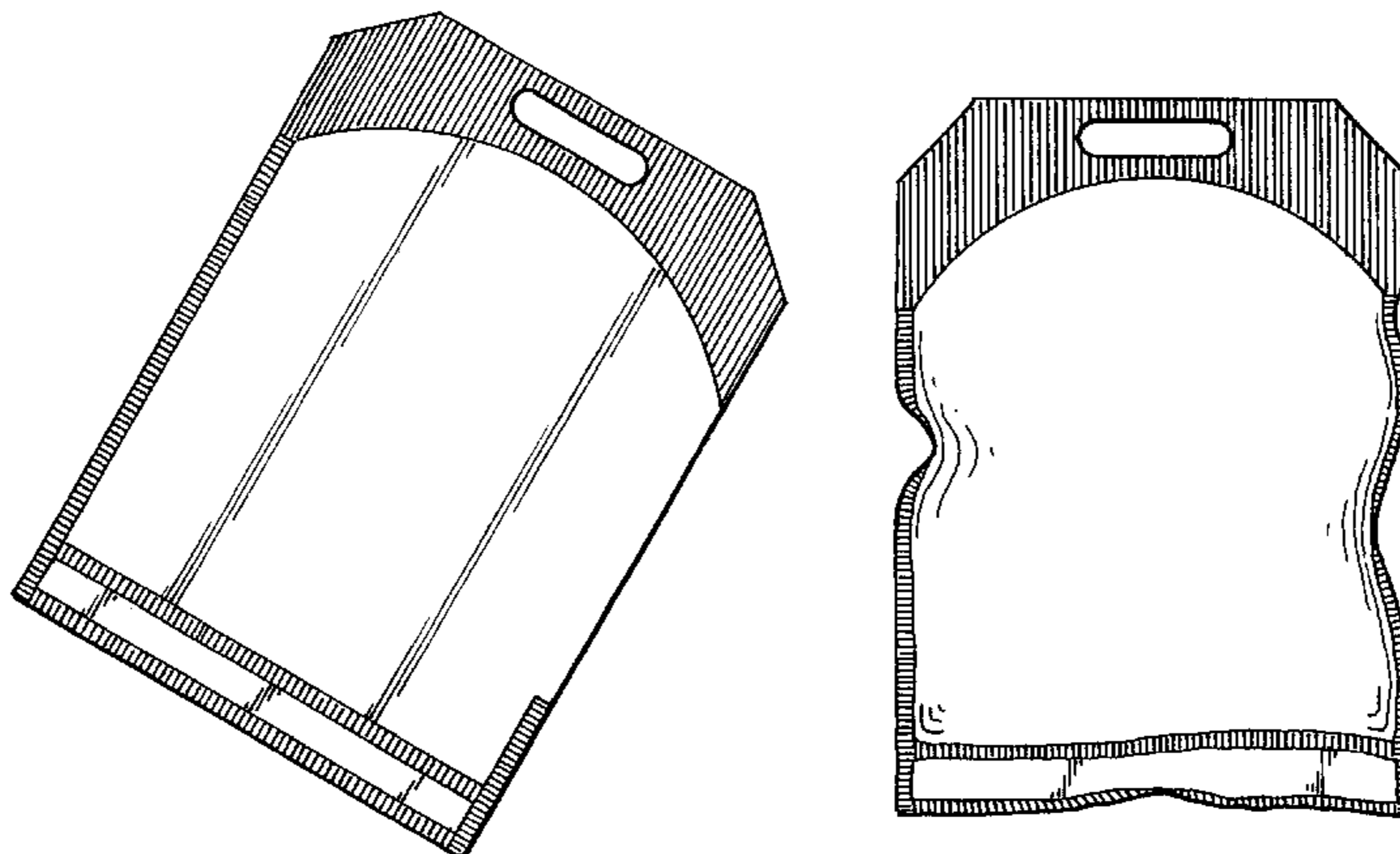
FIG. 5 is a front elevational view of the design depicted in FIG. 2;

FIG. 6 is a top plan view of a third embodiment of my new design, the bottom plan view being a mirror image thereof; FIG. 7 is a left elevational view of the design depicted in FIG. 6, the right elevational view being a mirror image thereof; and,

FIG. 8 is a front elevational view of the design depicted in FIG. 6, the rear elevational view having an identical appearance as that shown in FIG. 4.

The sole differences between embodiments 1 and 2 are the bag is filled with material in embodiment 2, and the side seal being in place in embodiment 2. The sole difference between embodiments 2 and 3 is the end seal has been removed in embodiment 3 to expose a perforated gusset.

1 Claim, 2 Drawing Sheets



US D468,195 S

Page 2

U.S. PATENT DOCUMENTS

3,827,341 A	8/1974	Stage	5,035,516 A	7/1991	Pacheco
3,891,775 A	6/1975	Murray et al.	D319,780 S	* 9/1991	Laaki D9/305
3,980,225 A	9/1976	Kan	5,059,036 A	10/1991	Richison et al.
3,991,801 A	11/1976	Ausnit	5,080,155 A	1/1992	Crozier
4,000,846 A	1/1977	Gilbert	5,104,235 A	4/1992	Bronstrup et al.
4,176,746 A	12/1979	Kooi	5,307,955 A	5/1994	Viegas
4,191,230 A	3/1980	Ausnit	D349,451 S	8/1994	Sagnard
4,206,870 A	6/1980	DeVries	5,525,363 A	6/1996	Herber et al.
4,526,565 A	7/1985	Hummel et al.	5,709,479 A	1/1998	Bell
4,532,652 A	7/1985	Herrington	D396,002 S	7/1998	Bell
4,553,693 A	11/1985	Terajima et al.	5,882,120 A	3/1999	Bell
4,576,316 A	3/1986	Foster	6,120,817 A	9/2000	Archibald et al.
4,741,909 A	5/1988	Guthrie	6,131,733 A	10/2000	Ergle et al.
4,913,693 A	4/1990	Ball et al.			

* cited by examiner

FIG. 1

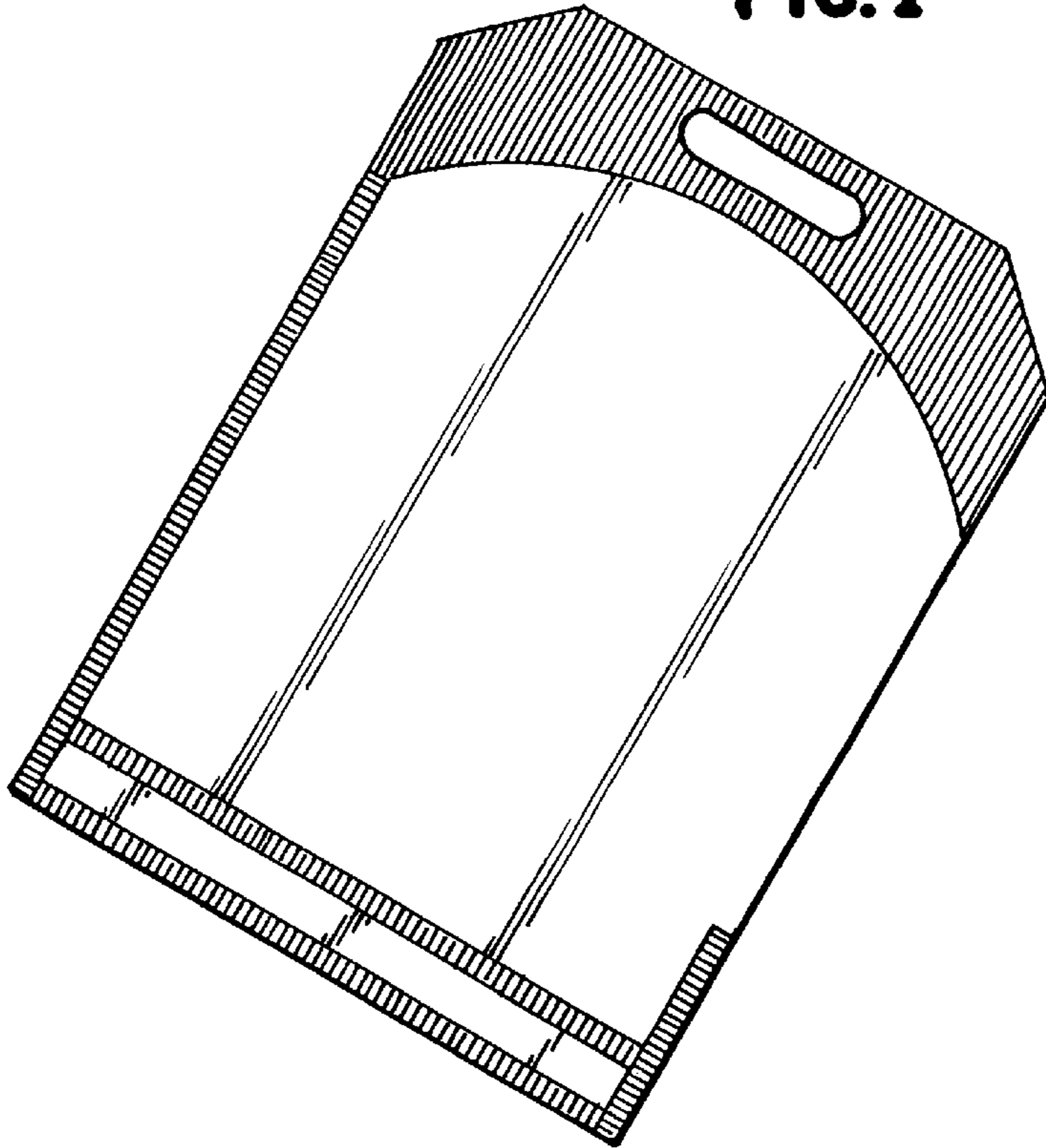


FIG. 2

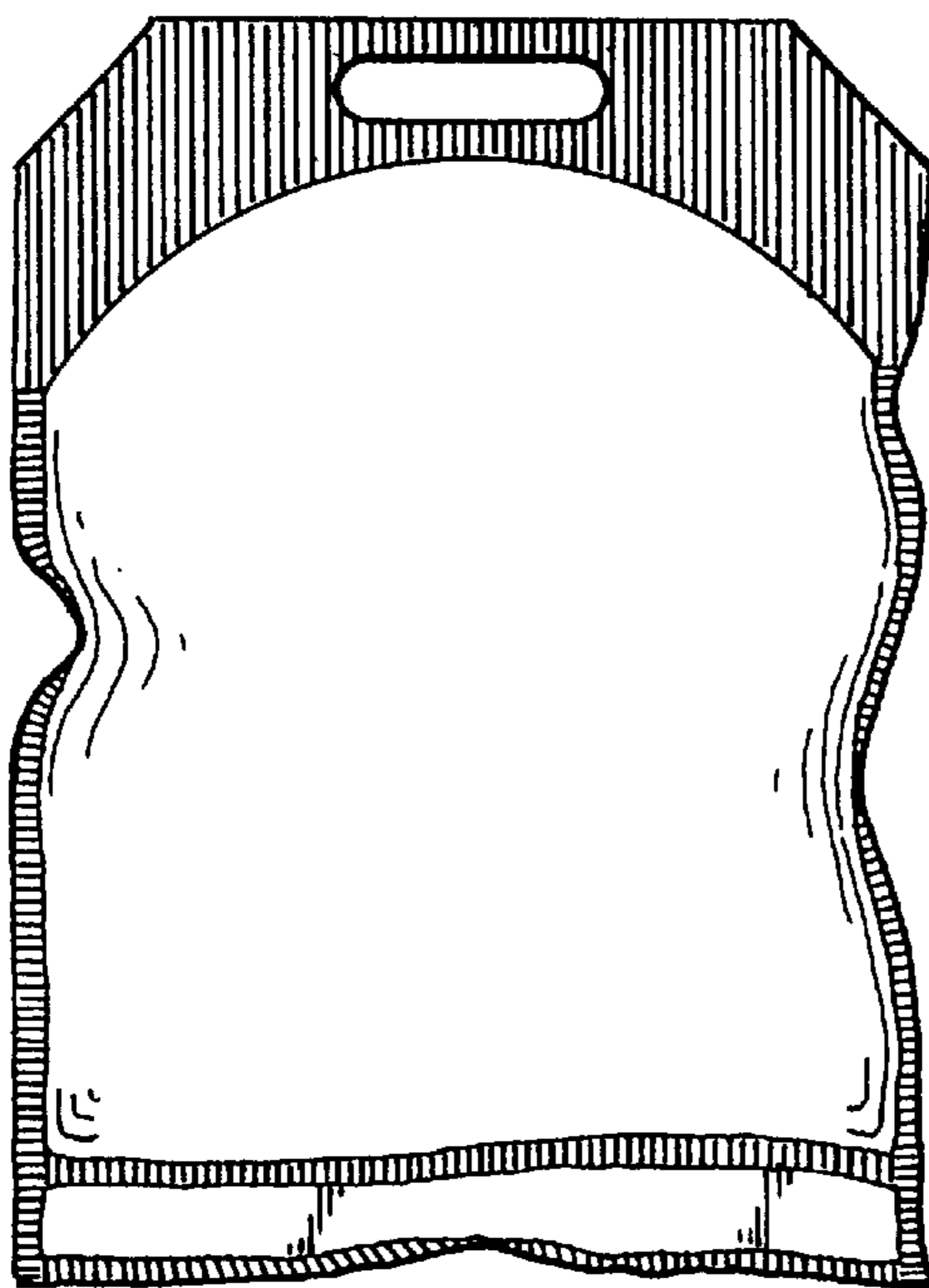


FIG. 3

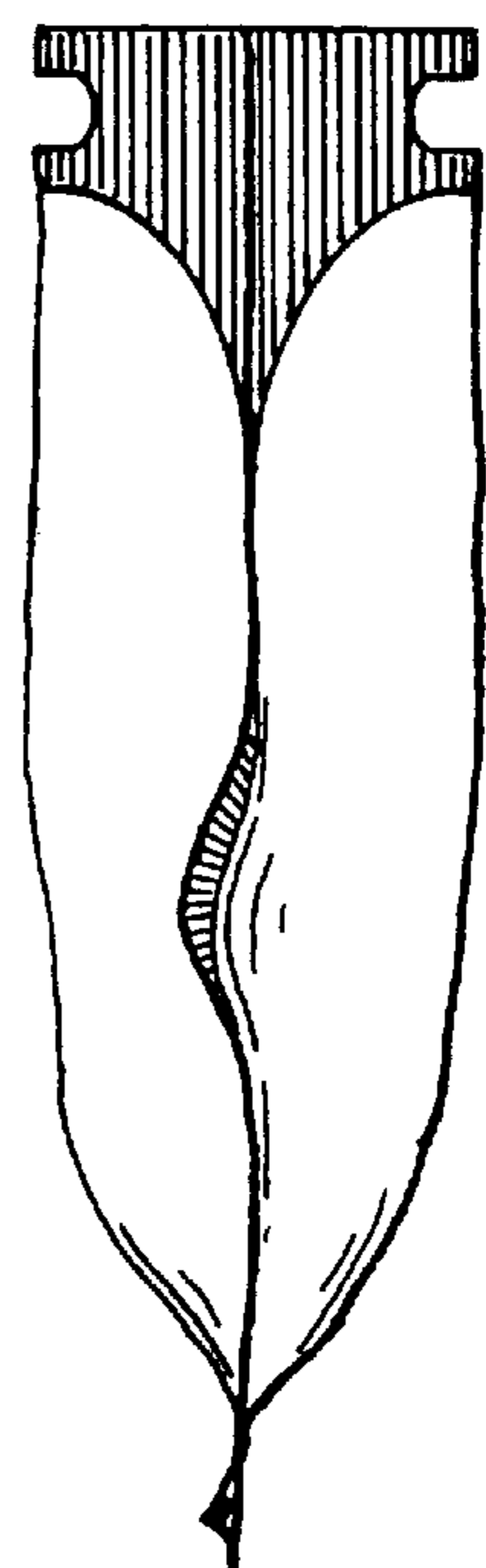


FIG. 4

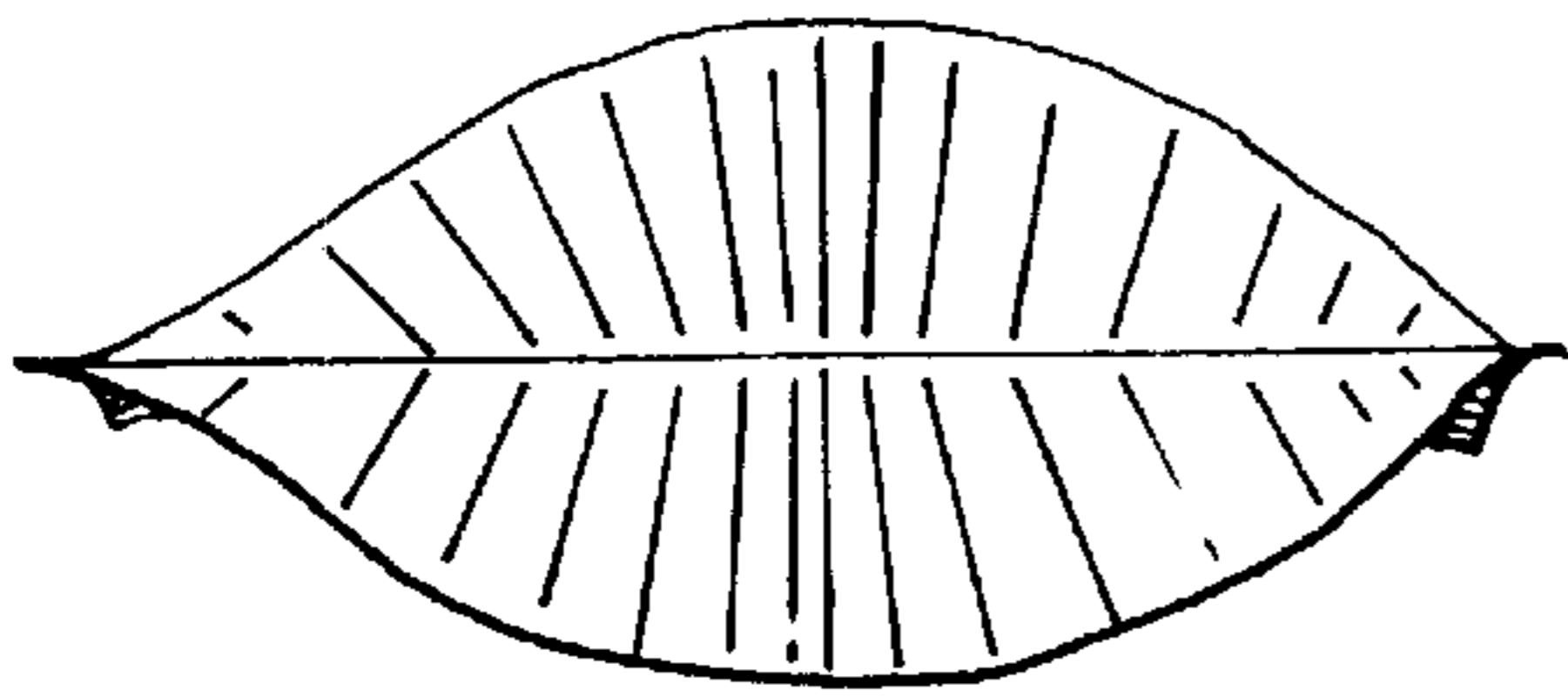


FIG. 5

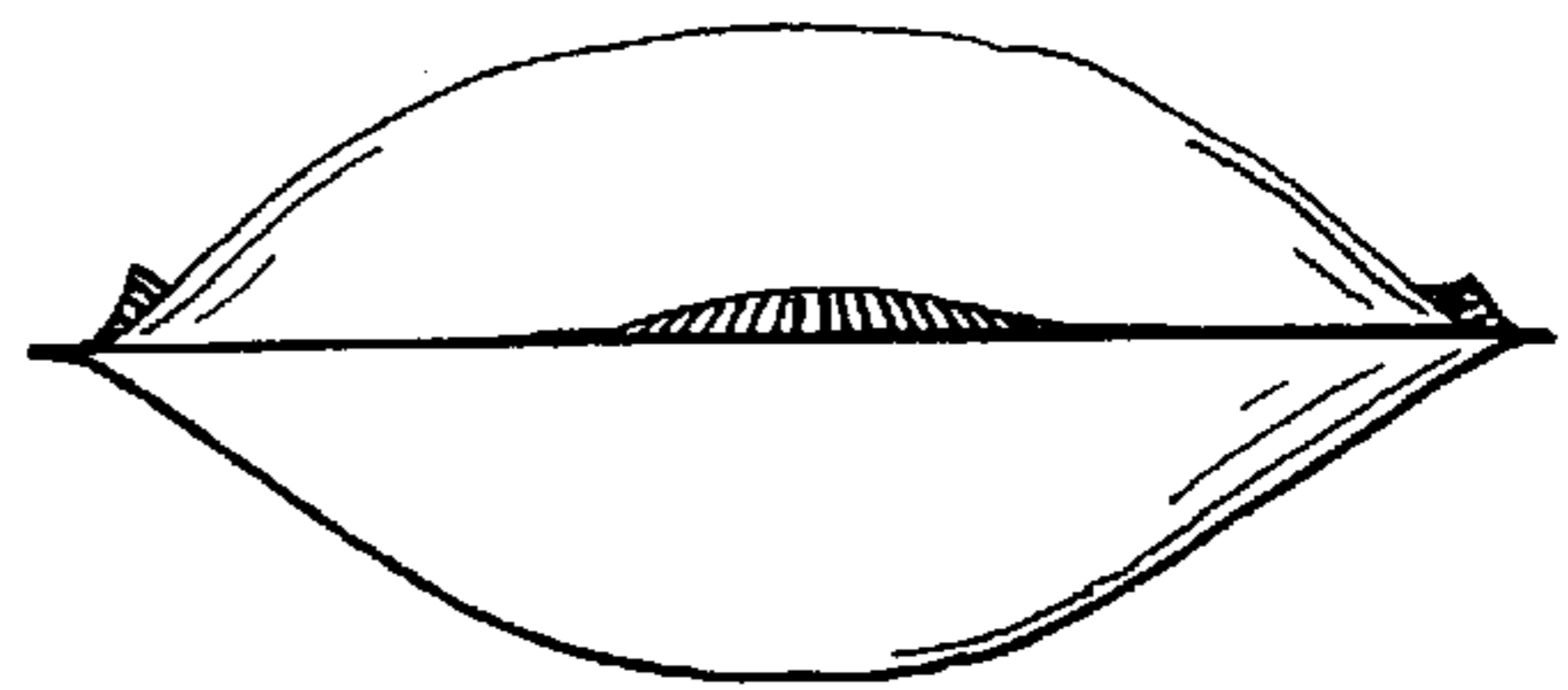


FIG. 8

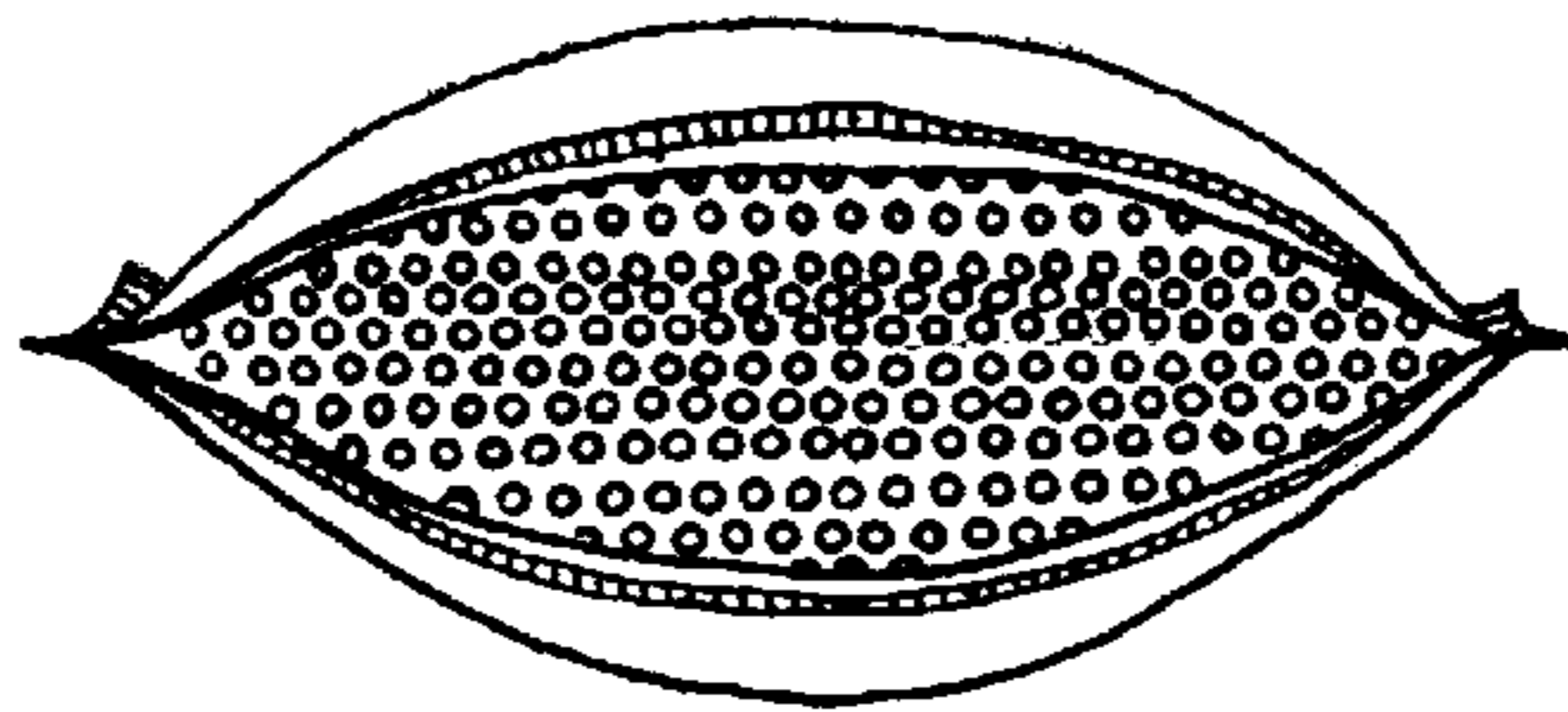


FIG. 6

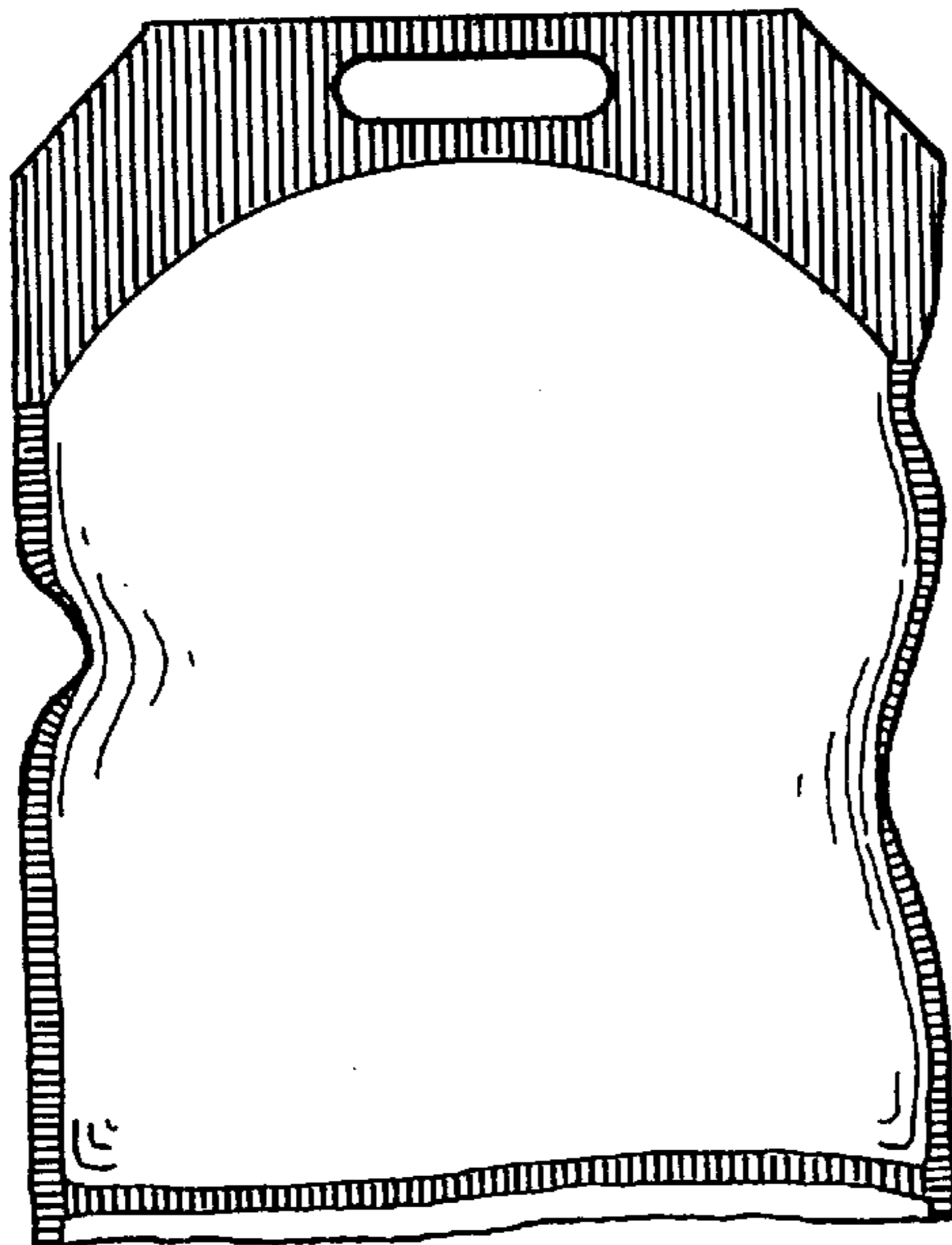


FIG. 7

