



US00D468189S

(12) **United States Design Patent**  
**Kovacik et al.**

(10) **Patent No.:** **US D468,189 S**  
(45) **Date of Patent:** **\*\* Jan. 7, 2003**

(54) **ELECTRICAL CORD REEL**

(75) Inventors: **James D. Kovacik**, Brecksville, OH (US); **Paul S. Blanch**, Broadview Heights, OH (US); **Joseph J. Smith**, Wooster, OH (US)

(73) Assignee: **Alert Stamping & Mfg. Co., Inc.**, Bedford Heights, OH (US)

(\*\*) Term: **14 Years**

(21) Appl. No.: **29/134,159**

(22) Filed: **Dec. 14, 2000**

(51) **LOC (7) Cl.** ..... **08-05**

(52) **U.S. Cl.** ..... **D8/358**

(58) **Field of Search** ..... D8/358, 359; D13/153; 191/12.2 R, 12.4; 242/371, 379, 388.1, 395, 396.1, 398, 399, 402, 404, 405.3; 439/501

(56) **References Cited**

**U.S. PATENT DOCUMENTS**

4,244,536 A	1/1981	Harrill	
D260,073 S	8/1981	Wells	
4,282,954 A	8/1981	Hill	
D275,263 S	* 8/1984	Cutler	..... D8/358
4,520,239 A	5/1985	Schwartz	
D286,503 S	11/1986	Bobrovniczky	
D289,492 S	4/1987	Clivio et al.	

5,209,420 A	5/1993	Simmons et al.	
D374,166 S	10/1996	Czerwinski et al.	
D377,447 S	* 1/1997	Blye	..... D8/358
D391,549 S	* 3/1998	Ness	..... D13/140
D419,426 S	1/2000	Kovacik et al.	
D431,179 S	* 9/2000	Kovacik et al.	..... D8/358
6,170,775 B1	1/2001	Kovacik et al.	
6,273,354 B1	* 8/2001	Kovacik et al.	..... 242/404
D448,651 S	* 10/2001	Kovacik et al.	..... D8/358
D449,513 S	* 10/2001	Stekelenburg	..... D8/358

\* cited by examiner

*Primary Examiner*—Doris V. Coles

*Assistant Examiner*—Elizabeth A. Albert

(74) *Attorney, Agent, or Firm*—MacMillan, Sobanski & Todd, LLC

(57) **CLAIM**

We claim the ornamental design for the electrical cord reel, as shown.

**DESCRIPTION**

FIG. 1 is a perspective view of the electrical cord reel showing my new design;

FIG. 2 is a right side elevation view thereof;

FIG. 3 is a left side elevation view thereof;

FIG. 4 is a rear view thereof;

FIG. 5 is a bottom plan view thereof;

FIG. 6 is a top plan view thereof; and,

FIG. 7 is a front elevation view thereof.

**1 Claim, 3 Drawing Sheets**

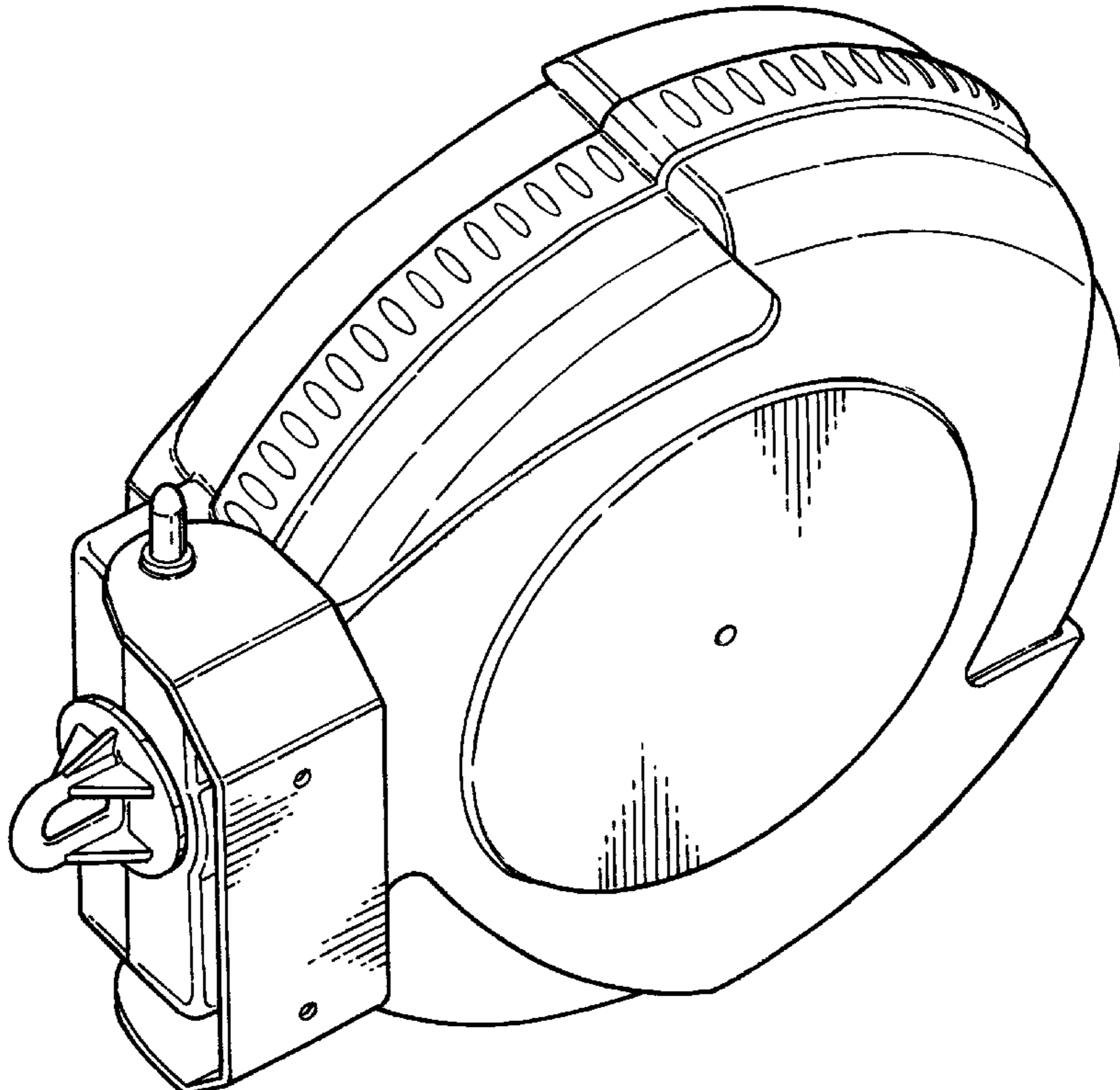


FIG-1

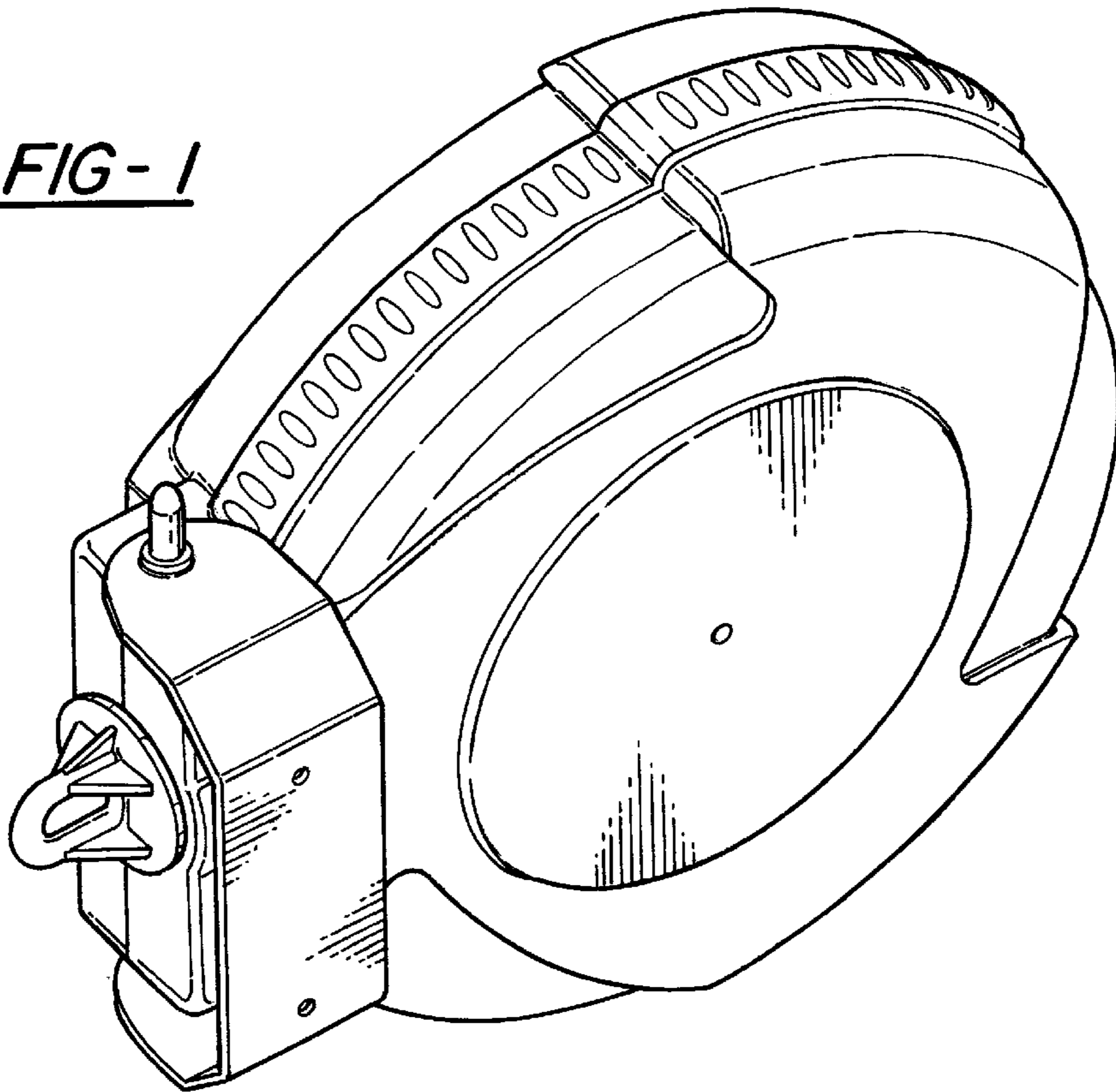
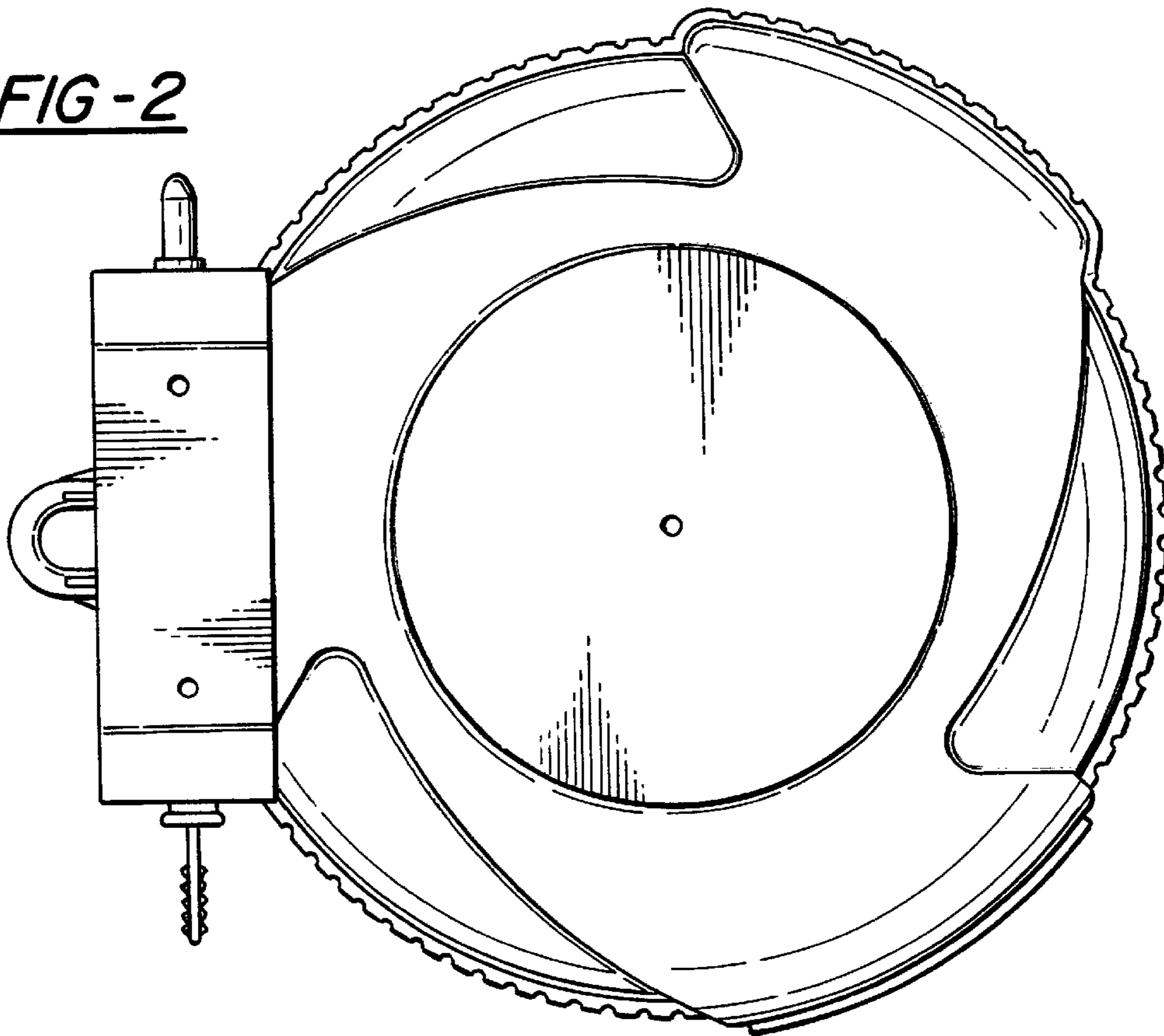


FIG-2



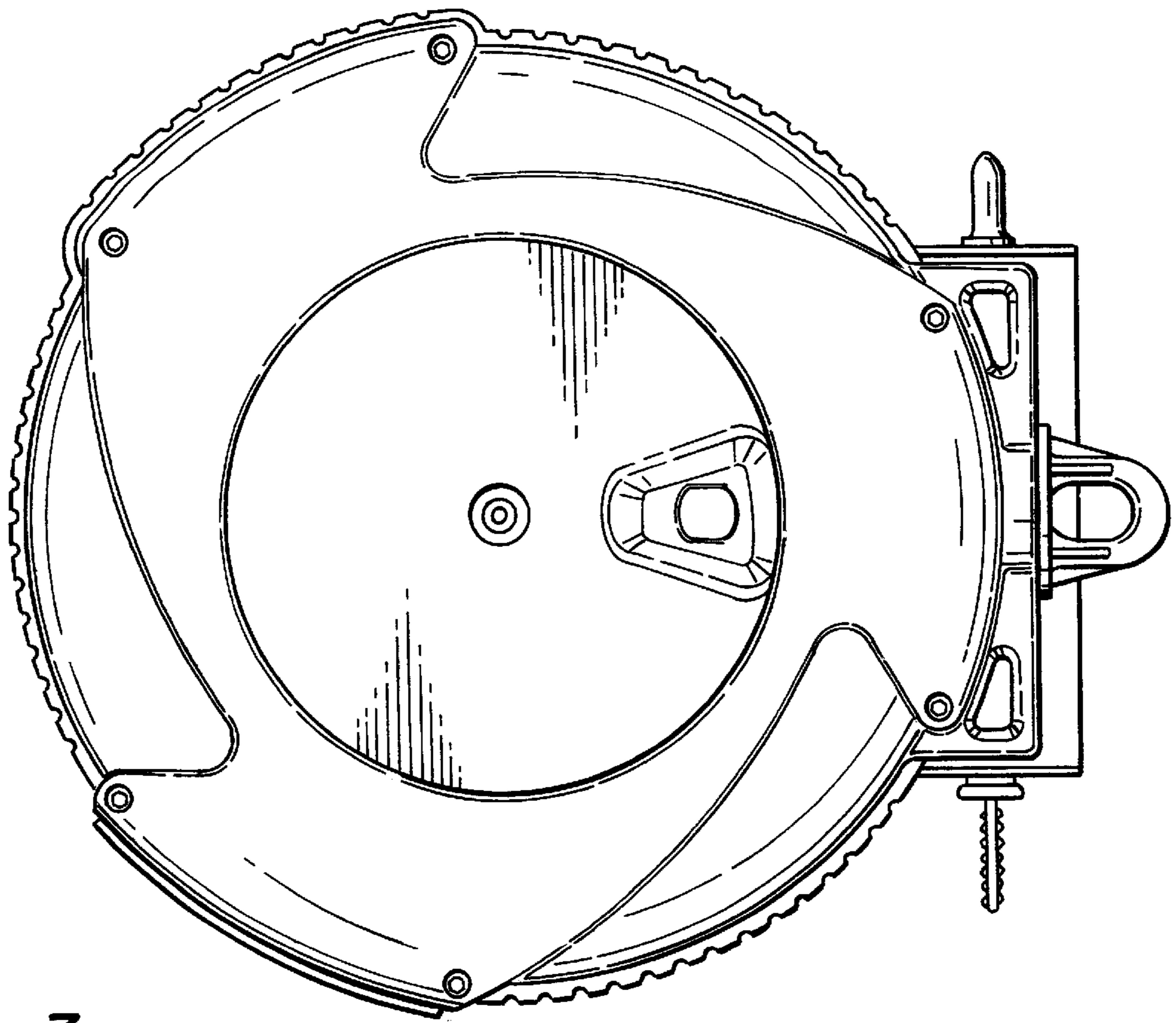


FIG-3

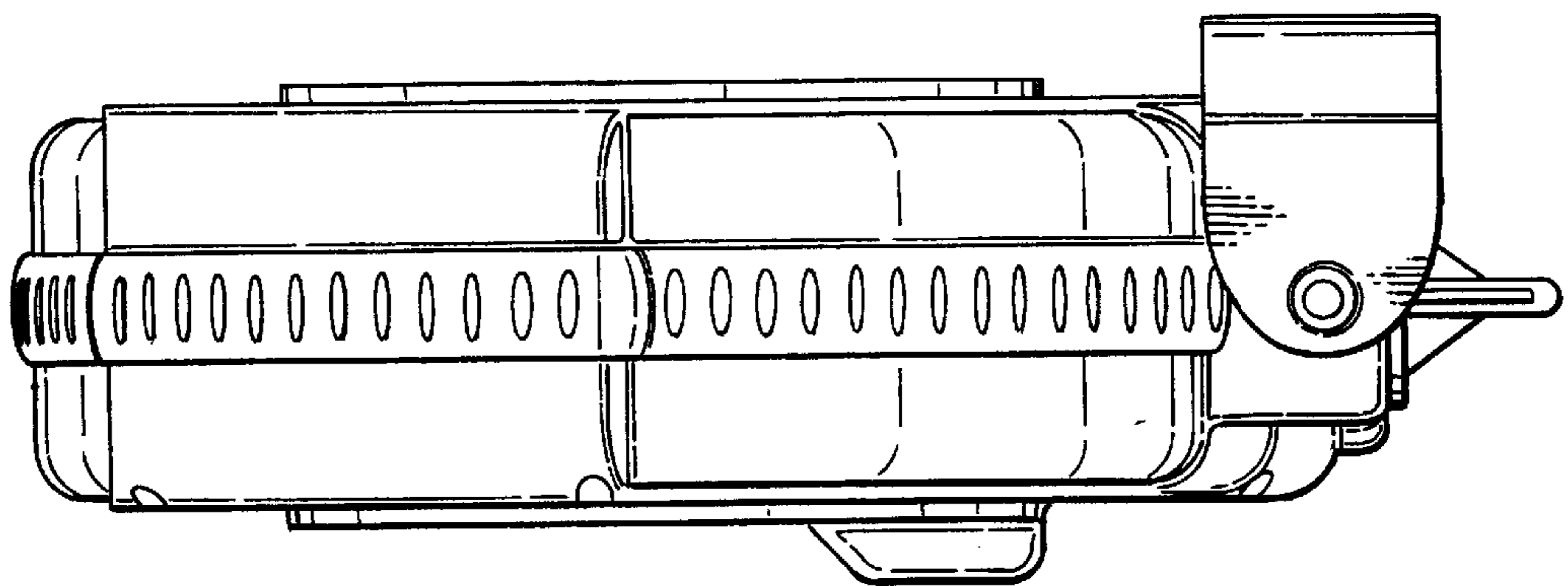


FIG-4

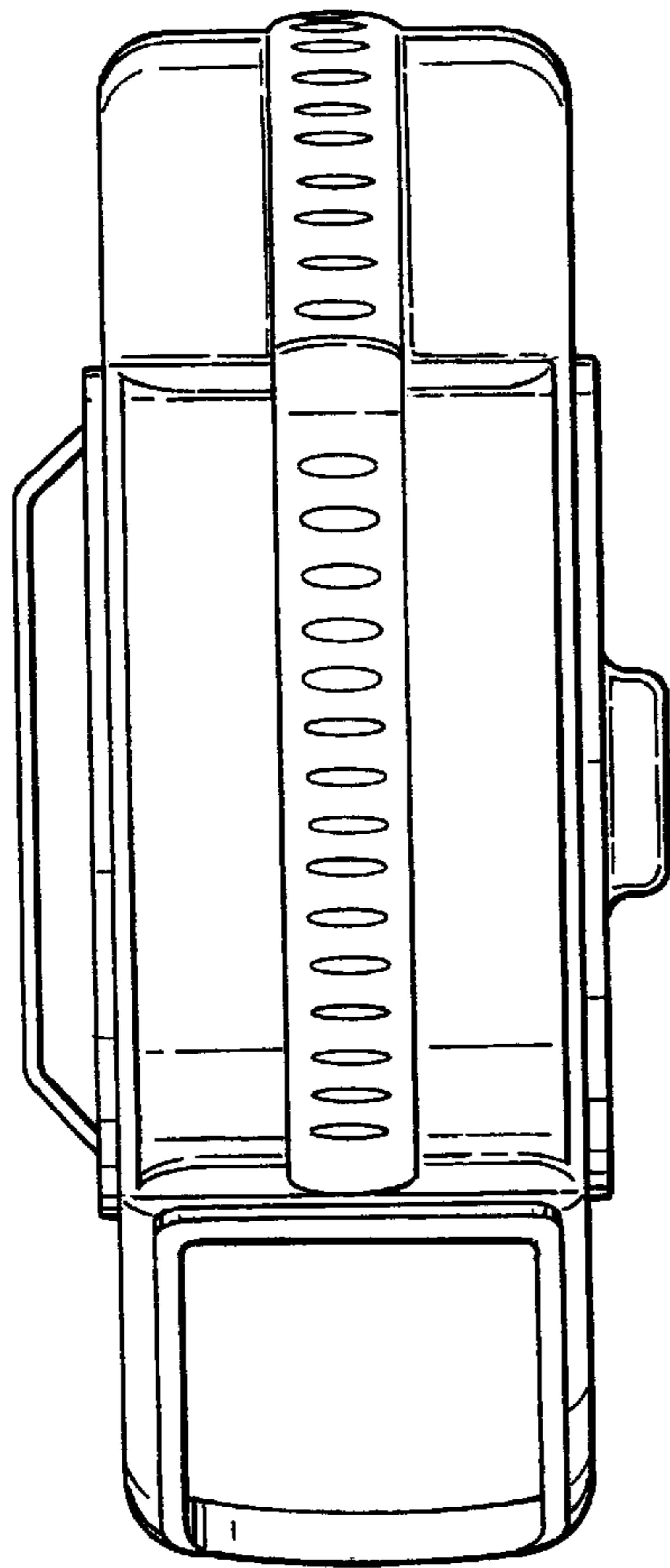


FIG-5

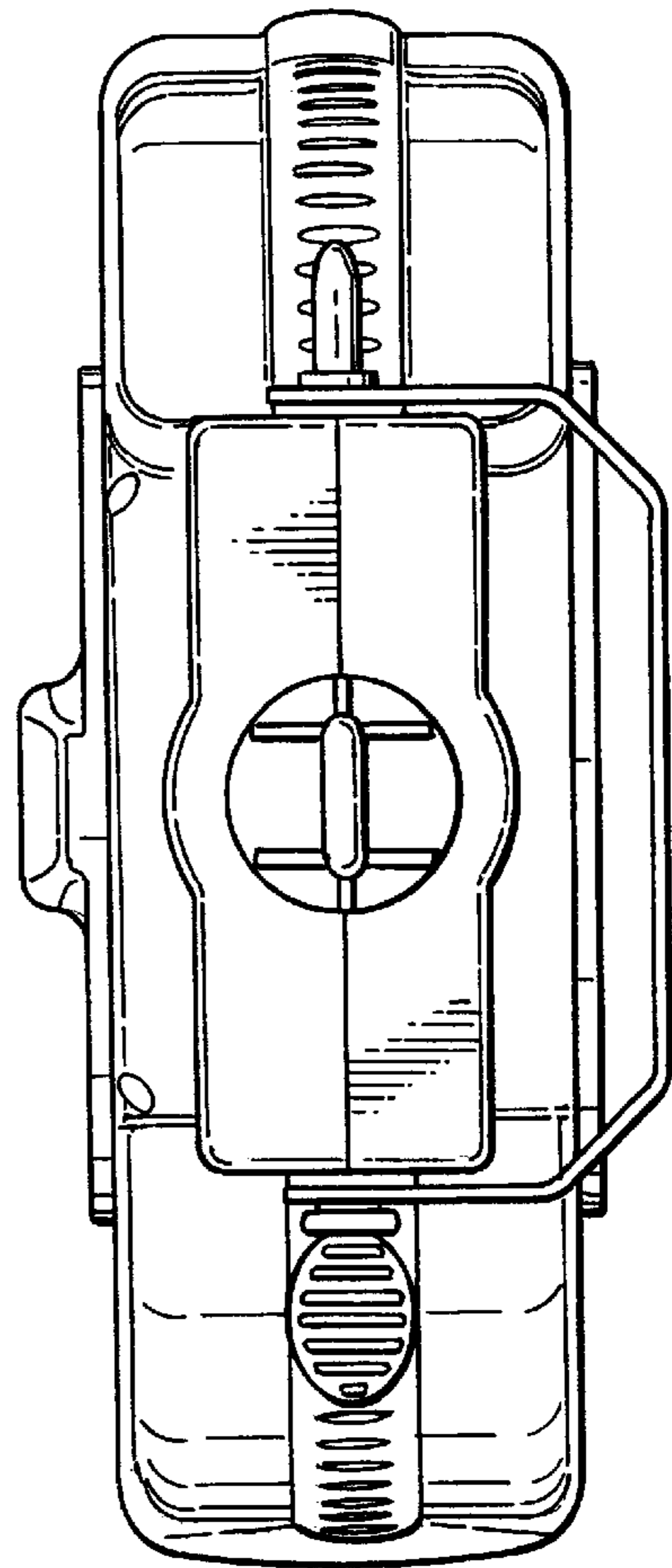


FIG-6

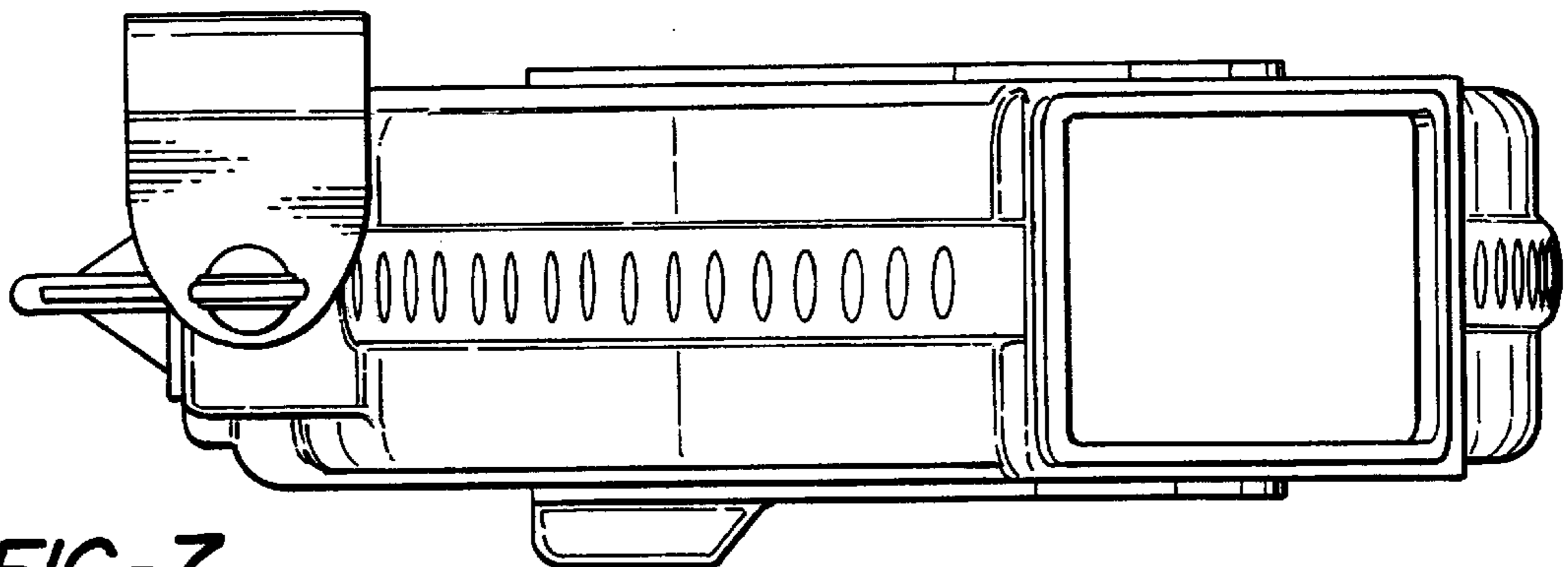


FIG-7