



US00D468188S

(12) **United States Design Patent**
Foster, Jr.

(10) **Patent No.:** **US D468,188 S**

(45) **Date of Patent:** **** Jan. 7, 2003**

(54) **MOLDED PLASTIC CORE FOR USE IN A CONCRETE SPACER**

5,740,648 A * 4/1998 Piccone 52/426
5,937,604 A * 8/1999 Bowron 52/426

(76) **Inventor:** **Thomas W. Foster, Jr.**, 3901 Shady Valley Dr., Arlington, TX (US) 76013

* cited by examiner

Primary Examiner—Stacia Cadmus

Assistant Examiner—Elizabeth A. Albert

(**) **Term:** **14 Years**

(74) *Attorney, Agent, or Firm*—Charles W McHugh

(21) **Appl. No.:** **29/152,312**

(57) **CLAIM**

(22) **Filed:** **Oct. 23, 2001**

The ornamental design for a “molded plastic core for use in a concrete spacer”, as shown and described.

(51) **LOC (7) Cl.** **08-05**

DESCRIPTION

(52) **U.S. Cl.** **D8/354**

(58) **Field of Search** D8/349, 354, 355, D8/356, 357, 373, 380; D25/199; 52/414, 426, 677, 685, 686, 687, 740.1; 249/187.1, 188, 193, 205, 207, 216

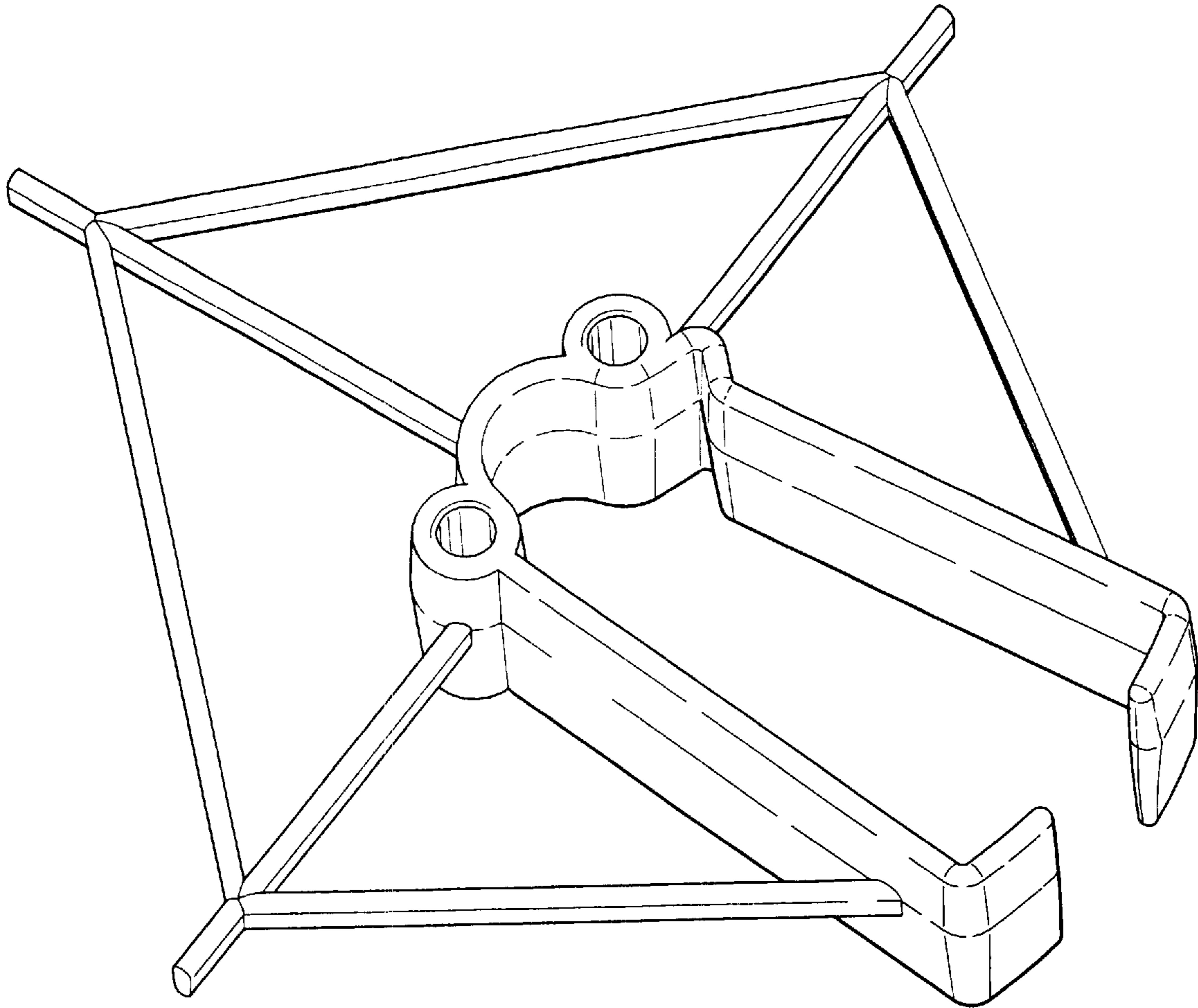
FIG. 1 is a perspective view of a “molded plastic core for use in a concrete spacer,” showing my new design;
FIG. 2 is a bottom plan view thereof on a reduced scale;
FIG. 3 is a rear elevational view thereof on a reduced scale;
FIG. 4 is a top plan view thereof on a reduced scale;
FIG. 5 is a front elevational view thereof on a reduced scale;
FIG. 6 is a right side elevational view thereof on a reduced scale; and,
FIG. 7 is a left side elevational view thereof on a reduced scale.

(56) **References Cited**

U.S. PATENT DOCUMENTS

D223,701 S * 5/1972 Lausch D8/356
3,694,989 A * 10/1972 Oliver et al. 52/687
4,916,879 A * 4/1990 Boeshart 52/426
D354,218 S * 1/1995 Van de Peer D8/354

1 Claim, 2 Drawing Sheets



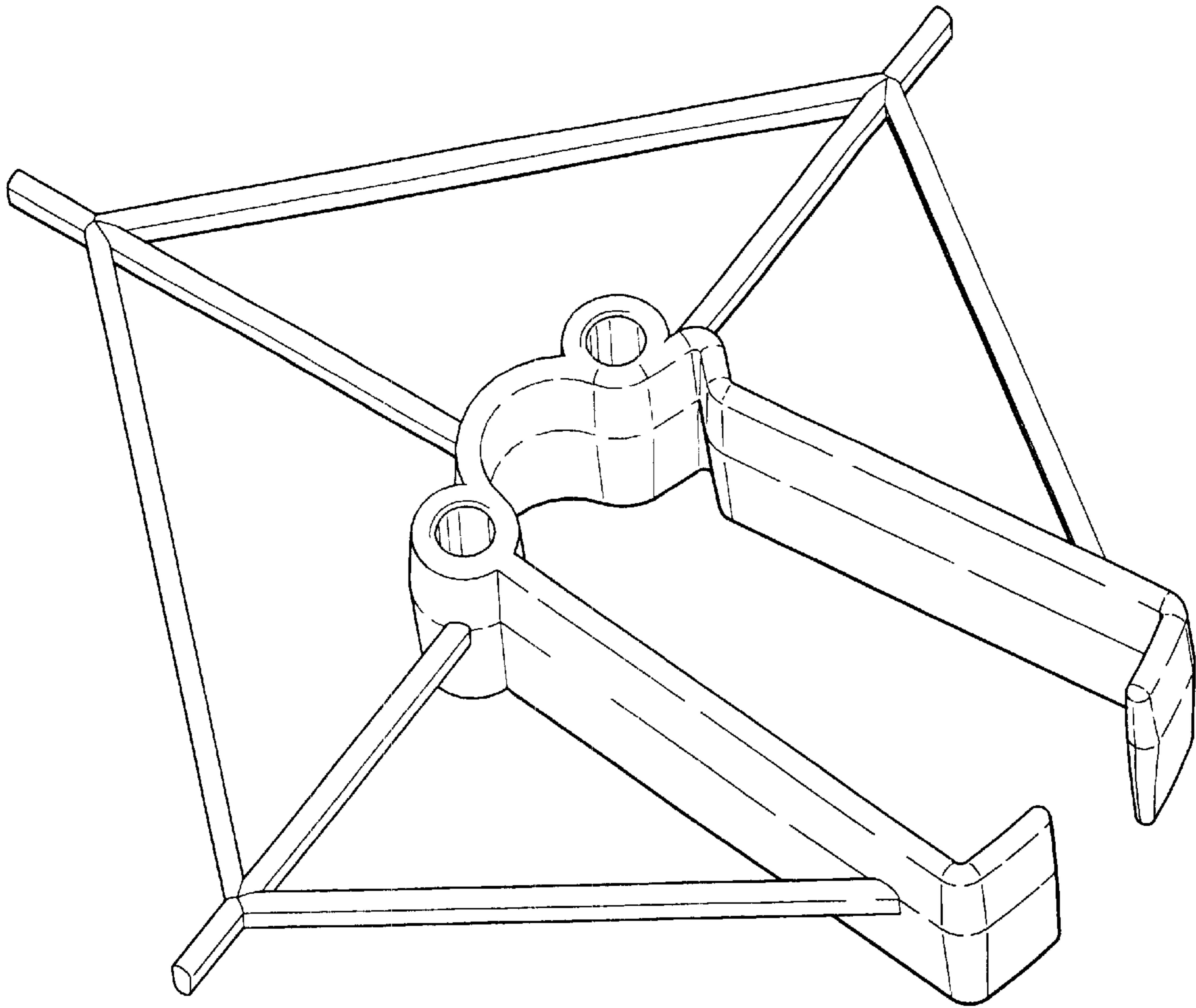


FIG. 1

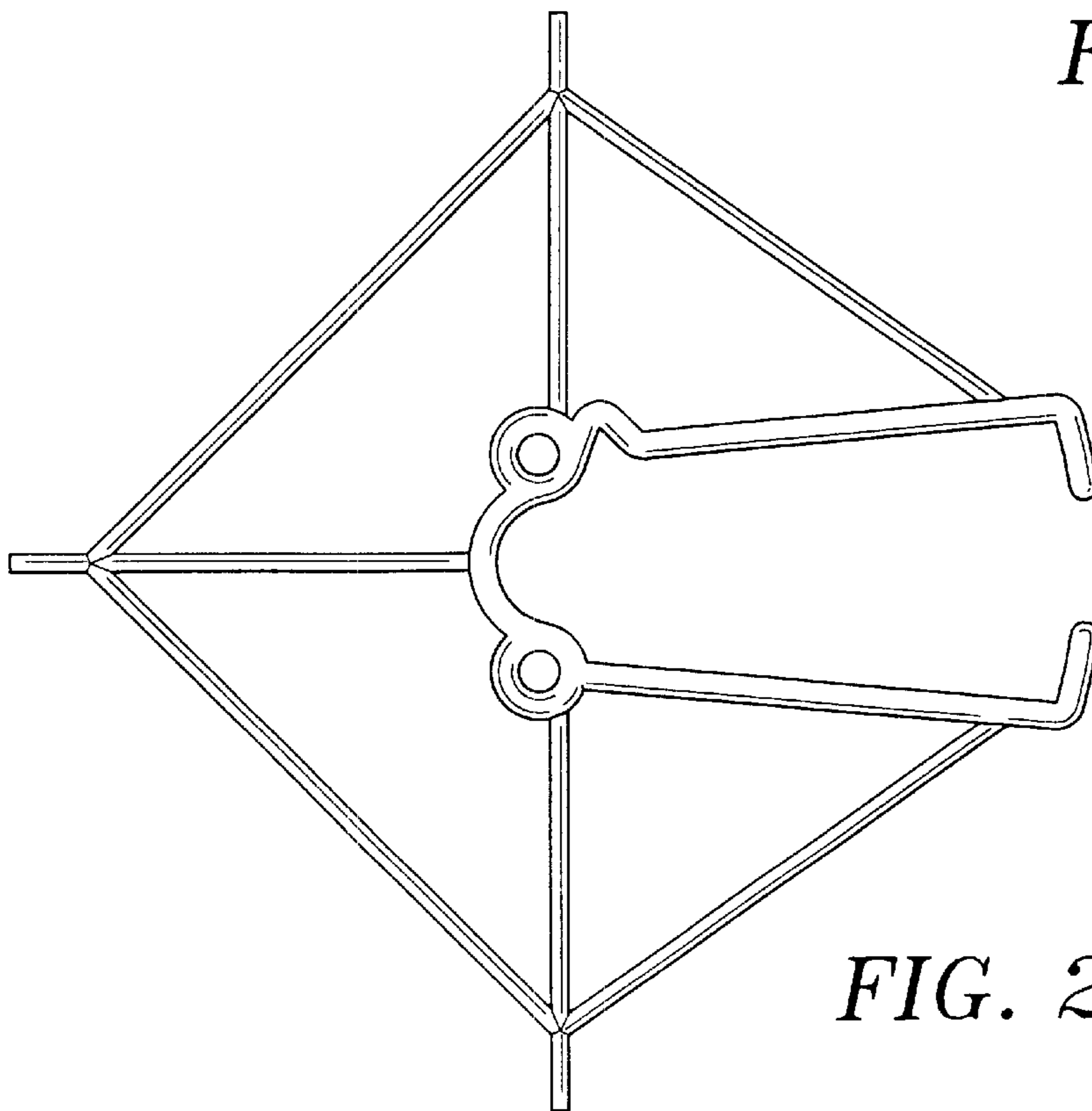


FIG. 2

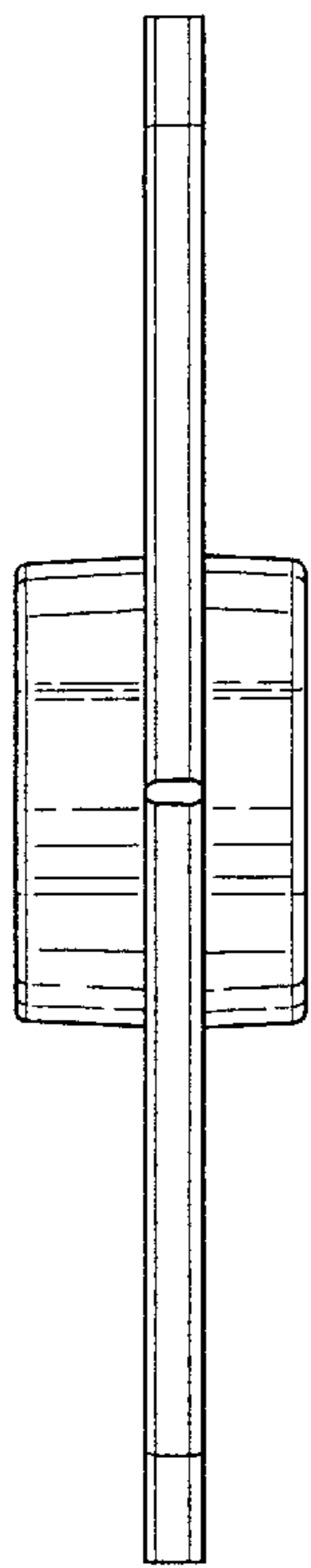


FIG. 3

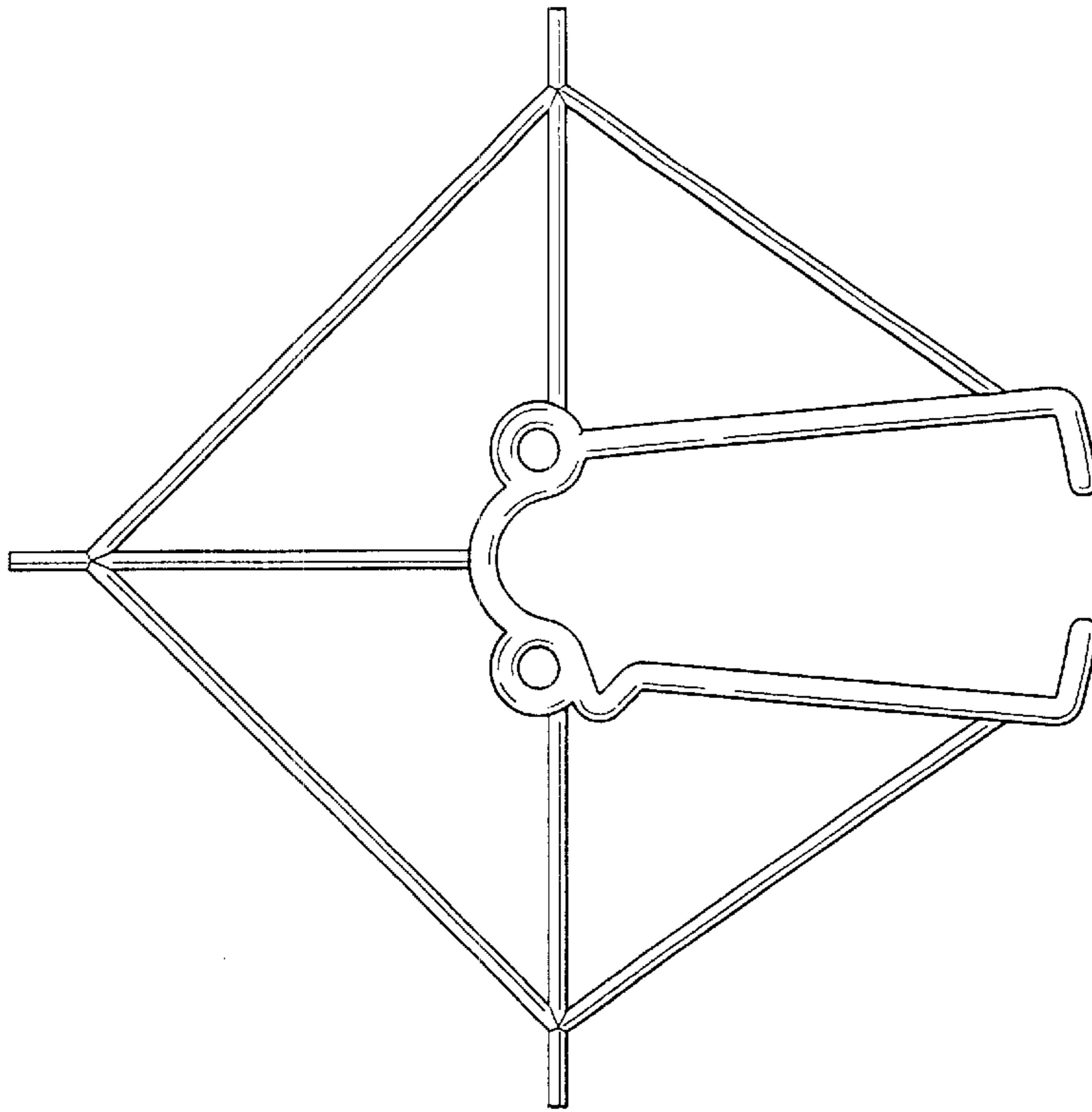


FIG. 4

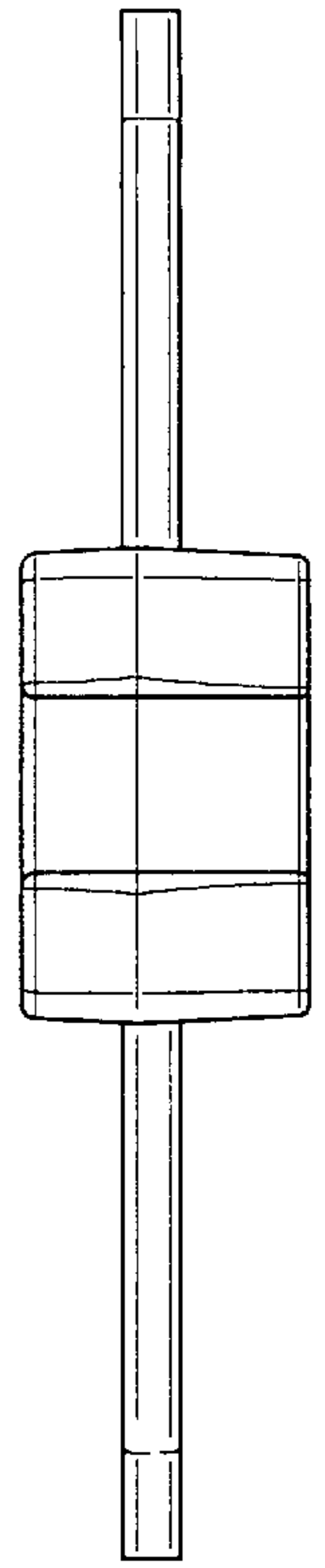


FIG. 5

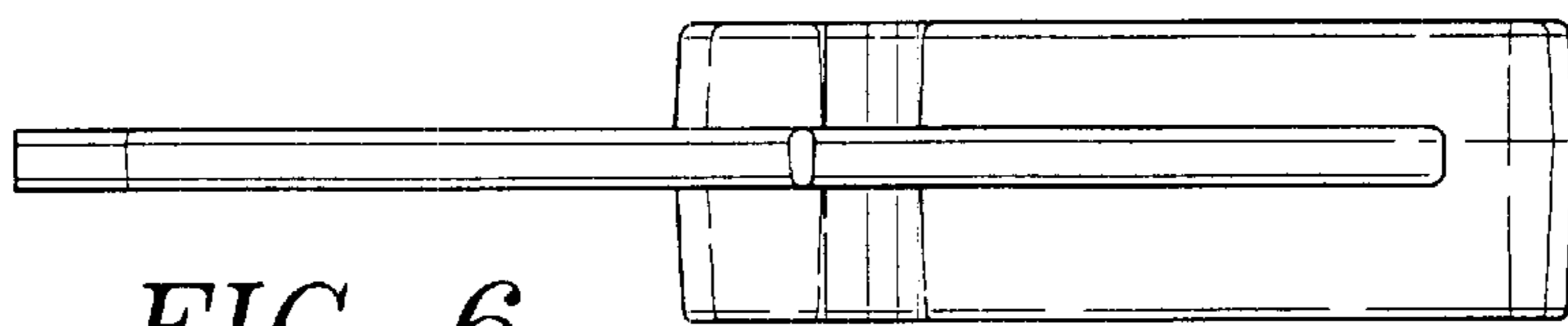


FIG. 6

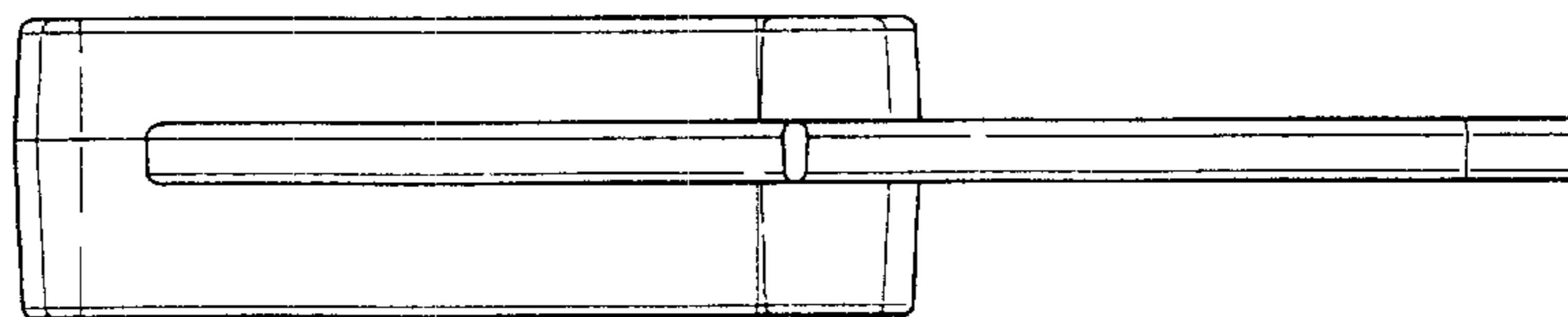


FIG. 7