



US00D468187S

(12) **United States Design Patent**
Corcoran et al.

(10) **Patent No.:** **US D468,187 S**

(45) **Date of Patent:** **** Jan. 7, 2003**

(54) **GRIP FOR A DIE PRESS**

5,129,157 A * 7/1992 Wood 30/526
D384,572 S * 10/1997 Ongaro D8/312

(75) Inventors: **Kevin L. Corcoran**, Mission Viejo, CA (US); **David L. Hughes, Jr.**, Rancho Santa Margarita, CA (US); **Guorui Deng**, Dong Guan (CN)

* cited by examiner

Primary Examiner—Antoine Duval Davis
(74) *Attorney, Agent, or Firm*—Thomas E. Coverstone, Esq.; Procopio, Cory, Hargreaves & Savitch, LLP

(73) Assignee: **Ellison Educational Equipment, Inc.**, Lake Forest, CA (US)

(57) **CLAIM**

(**) Term: **14 Years**

The ornamental design for a grip for a die press, as shown and described.

(21) Appl. No.: **29/159,748**

DESCRIPTION

(22) Filed: **Apr. 26, 2002**

FIG. 1 is a front perspective view of a grip for a die press of the present invention;

(51) **LOC (7) Cl.** **08-06**

FIG. 2 is a left side elevational view thereof;

(52) **U.S. Cl.** **D8/312**

FIG. 3 is a right side elevational view thereof;

(58) **Field of Search** D8/300, 303, 307, D8/310-312; 16/110.1, 421, 430; 30/340

FIG. 4 is a top plan view thereof; and,

FIG. 5 is a front elevational view thereof.

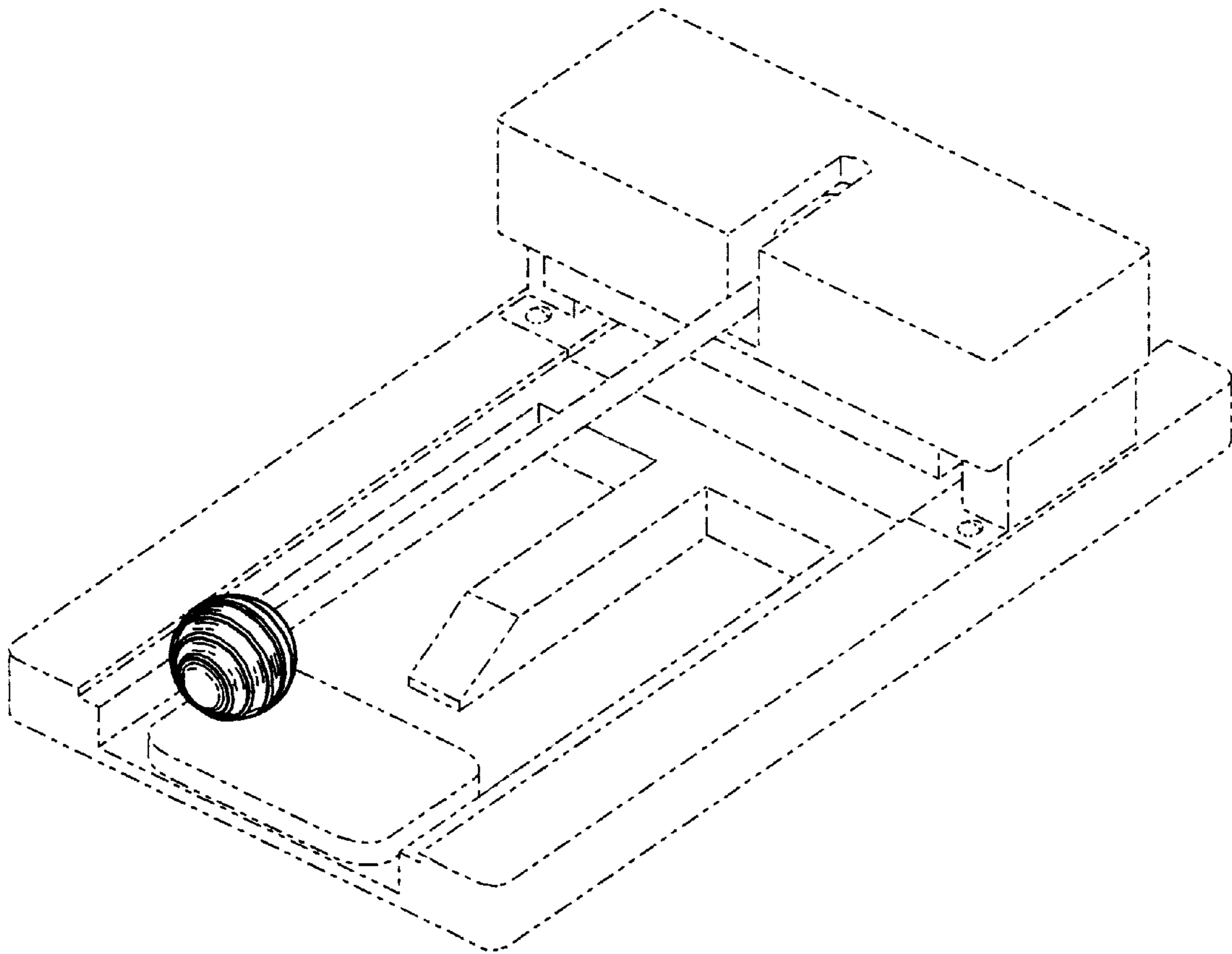
(56) **References Cited**

The broken line showing the die press is for illustrative purposes only and forms no part of the claimed design.

U.S. PATENT DOCUMENTS

D319,771 S * 9/1991 Reid et al. D8/312

1 Claim, 3 Drawing Sheets



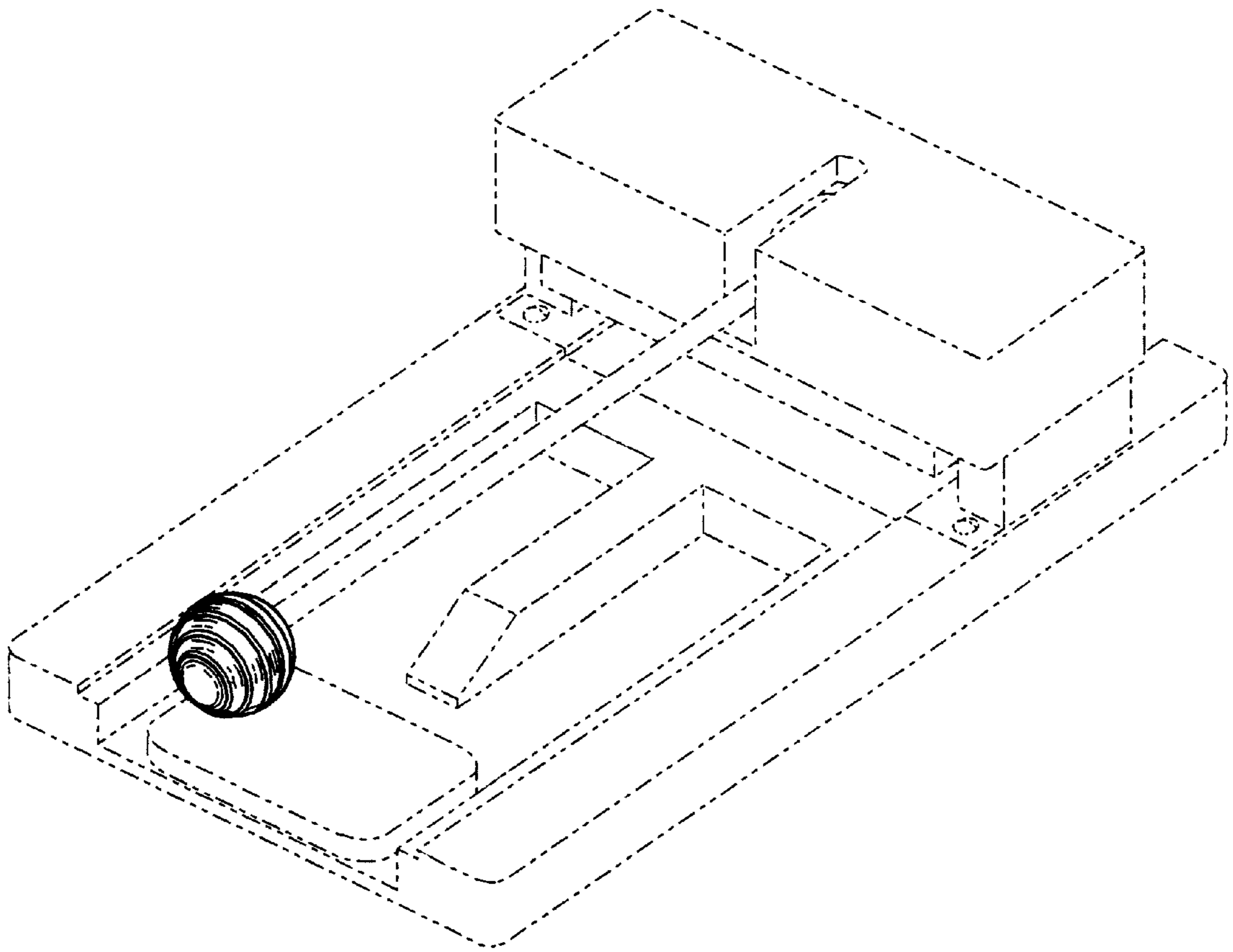


FIG. 1

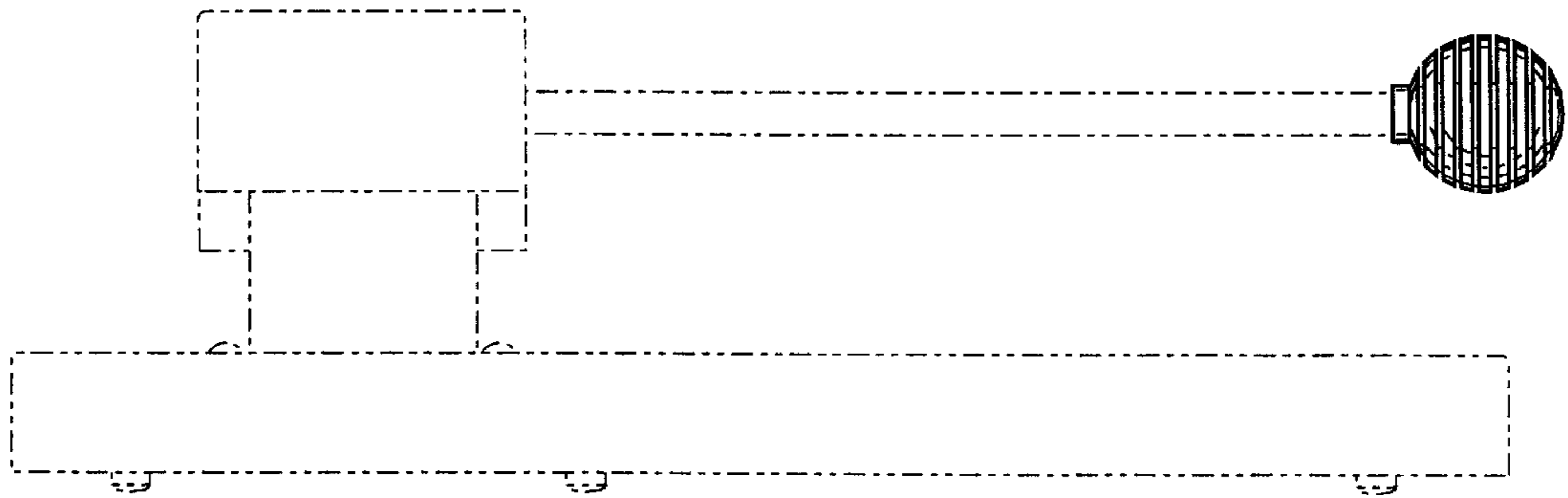


FIG. 2

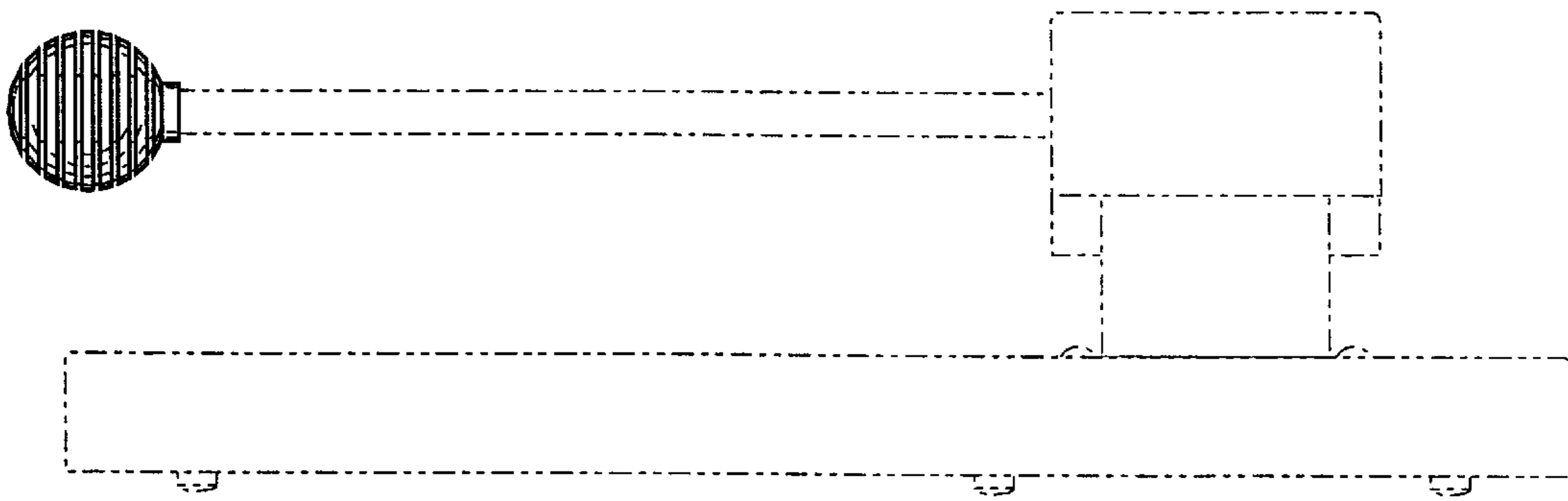


FIG. 3

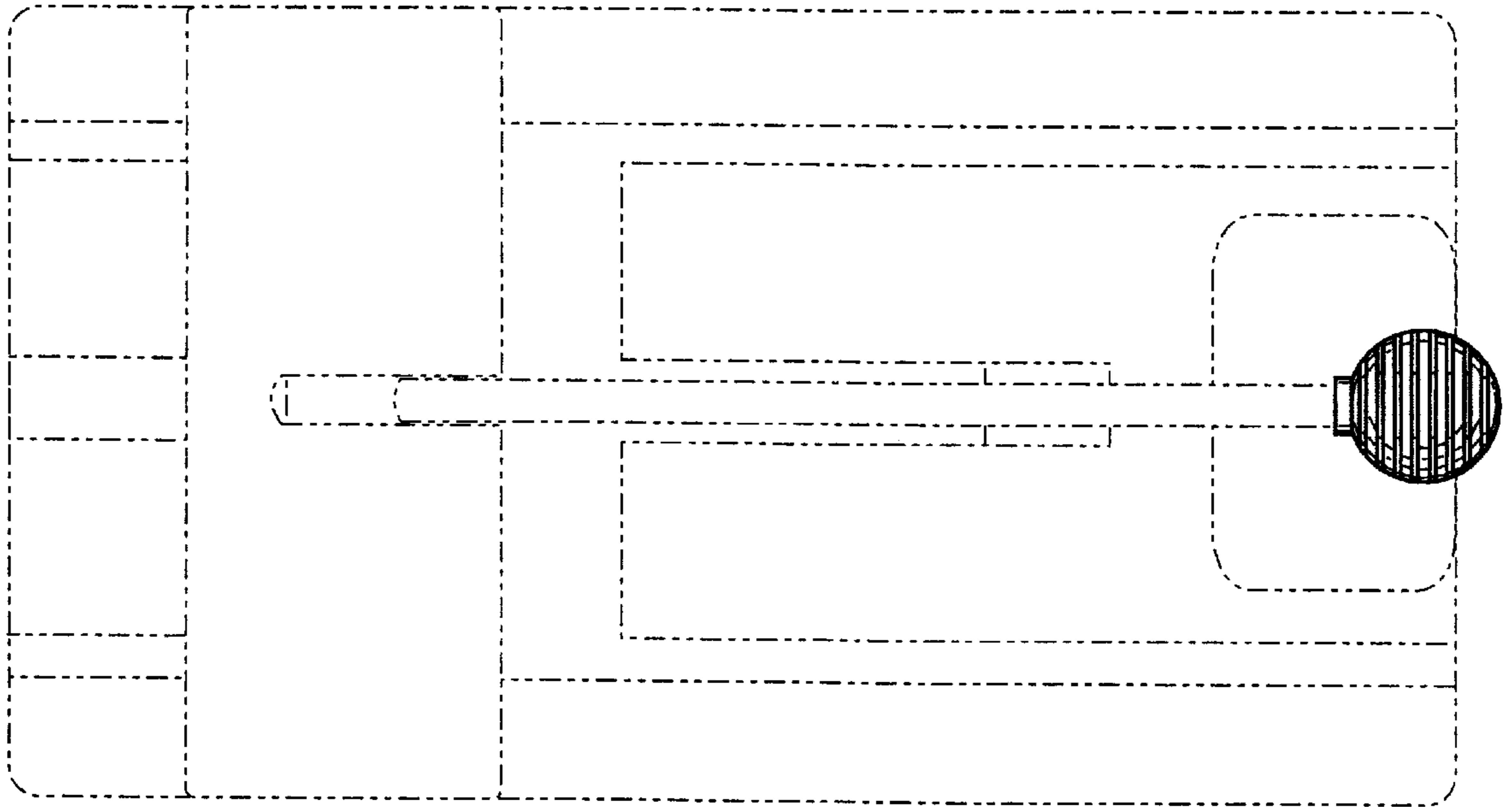


FIG. 4

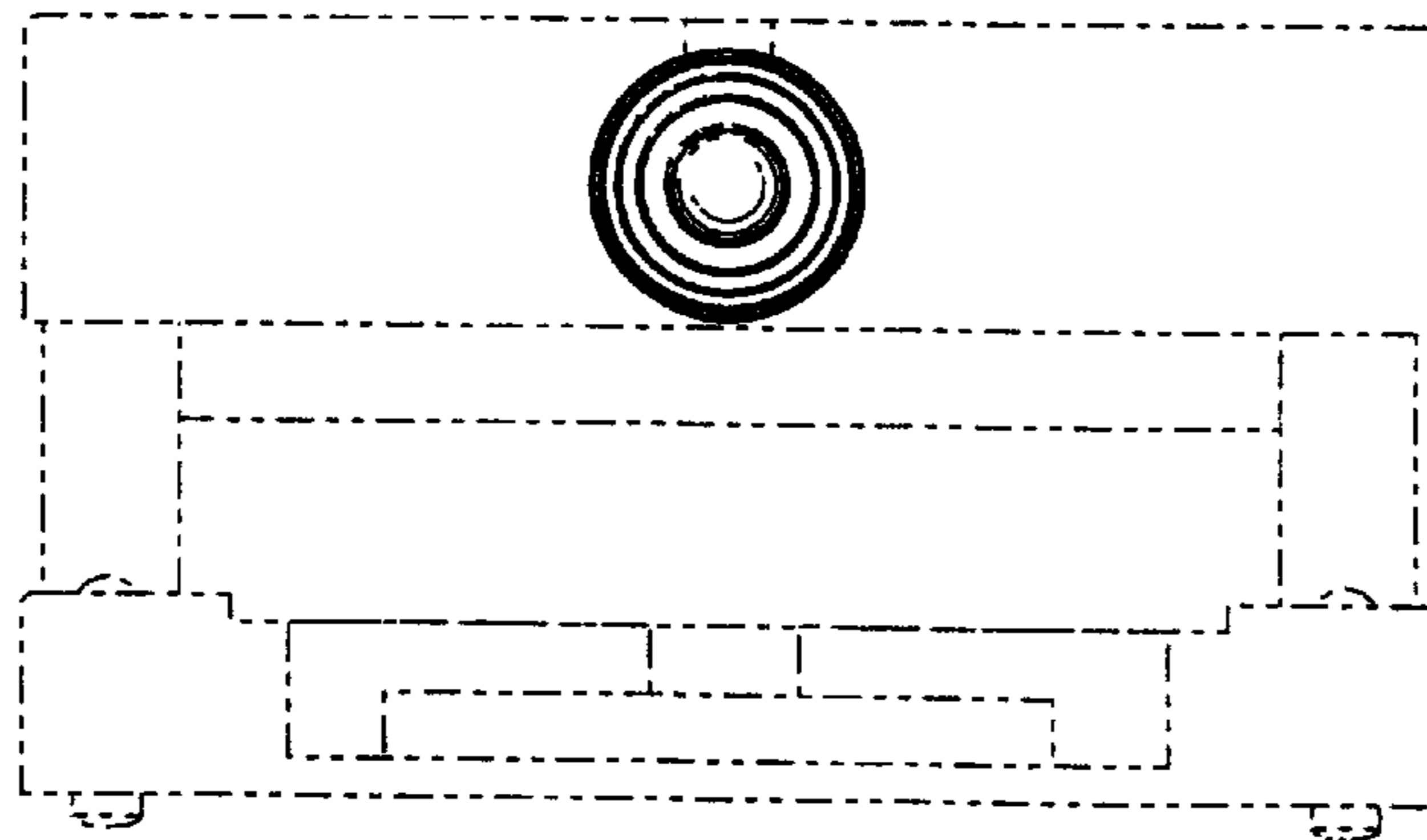


FIG. 5