



US00D468186S

(12) **United States Design Patent**
Su

(10) **Patent No.:** **US D468,186 S**

(45) **Date of Patent:** **** Jan. 7, 2003**

(54) **KNOB**
(75) Inventor: **Yi-Chung Su**, Kaohsiung Hsien (TW)
(73) Assignee: **Sunonwealth Electric Machine Industry Co., Ltd.**, Kaohsiung (TW)
(**) Term: **14 Years**

D180,818 S * 8/1957 Clayton D8/310
D444,028 S * 6/2001 Rae D8/307

* cited by examiner

Primary Examiner—B. J. Bullock

(74) *Attorney, Agent, or Firm*—Bacon & Thomas, PLLC

(21) Appl. No.: **29/162,293**
(22) Filed: **Jun. 14, 2002**

(57) **CLAIM**

The ornamental design for a knob, as shown.

(51) **LOC (7) Cl.** **08-06**
(52) **U.S. Cl.** **D8/307**
(58) **Field of Search** D8/300–302, 307,
D8/310–312, 338, 341; D23/250–254; 16/110.1,
113.1, 412, 414, 415, 416, 417, 419, 420,
429, 441, 443, 444, 446; 292/347

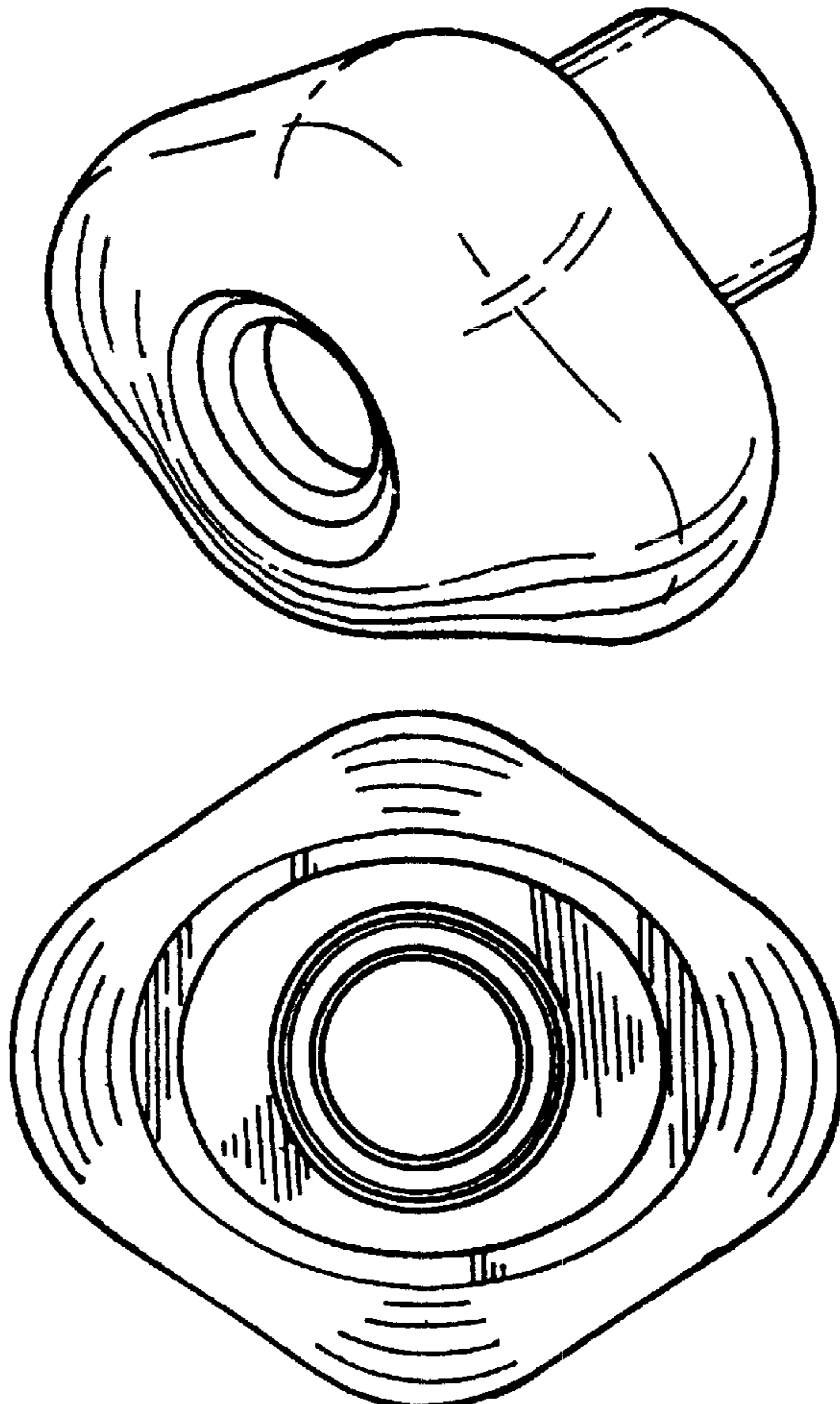
DESCRIPTION

FIG. 1 is a perspective view of the knob in accordance with the embodiment of the claimed design;
FIG. 2 is a right side elevational view thereof;
FIG. 3 is a top plan view thereof;
FIG. 4 is a front elevational view thereof;
FIG. 5 is a bottom plan view thereof;
FIG. 6 is a left side elevational view thereof;
FIG. 7 is a rear elevational view thereof; and,
FIG. 8 is a cross-sectional view thereof taken along line 8—8 in FIG. 2.

(56) **References Cited**
U.S. PATENT DOCUMENTS

D45,227 S * 2/1914 Glauber D23/250
2,496,714 A * 2/1950 Haines 16/441

1 Claim, 5 Drawing Sheets



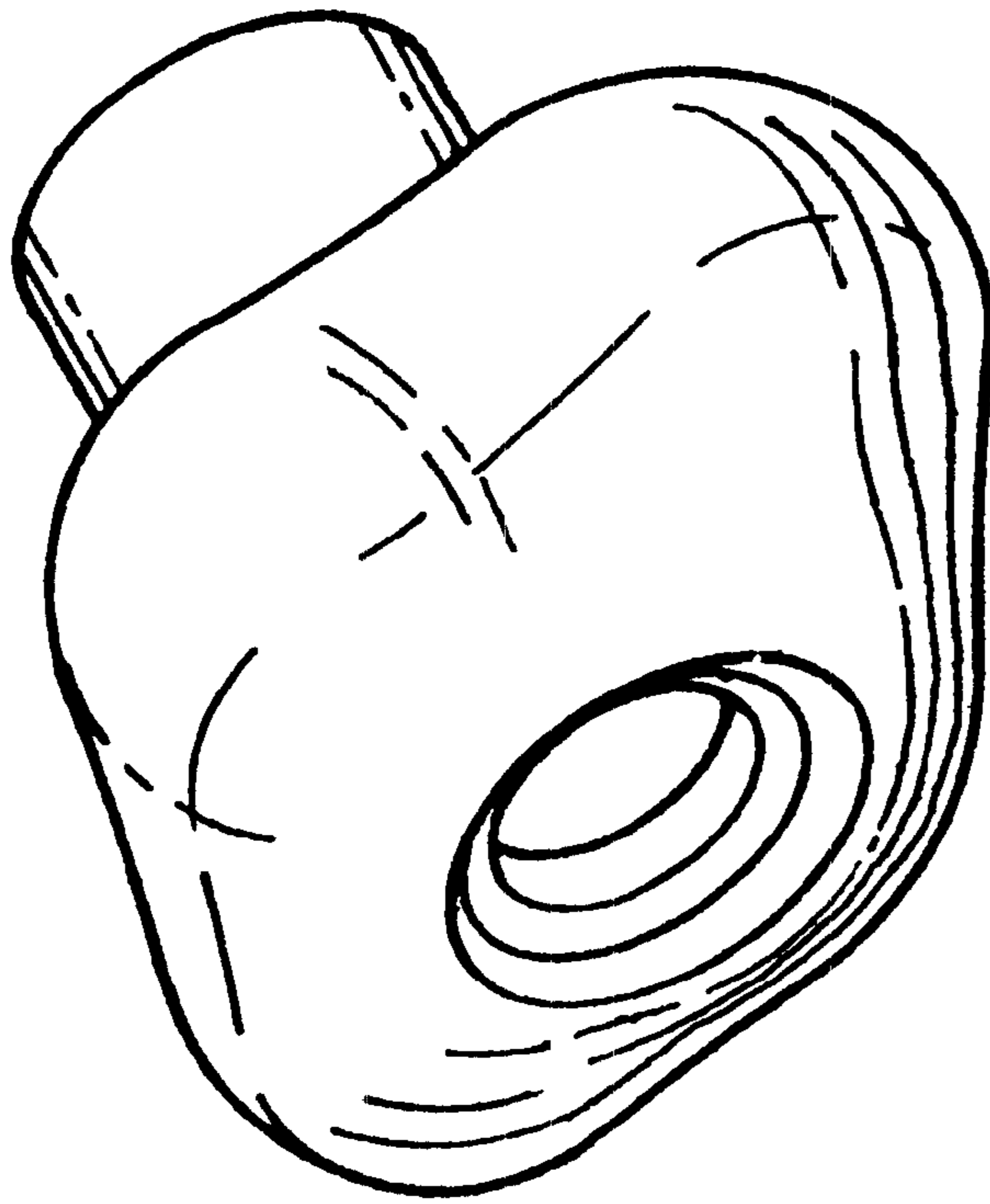


FIG. 1

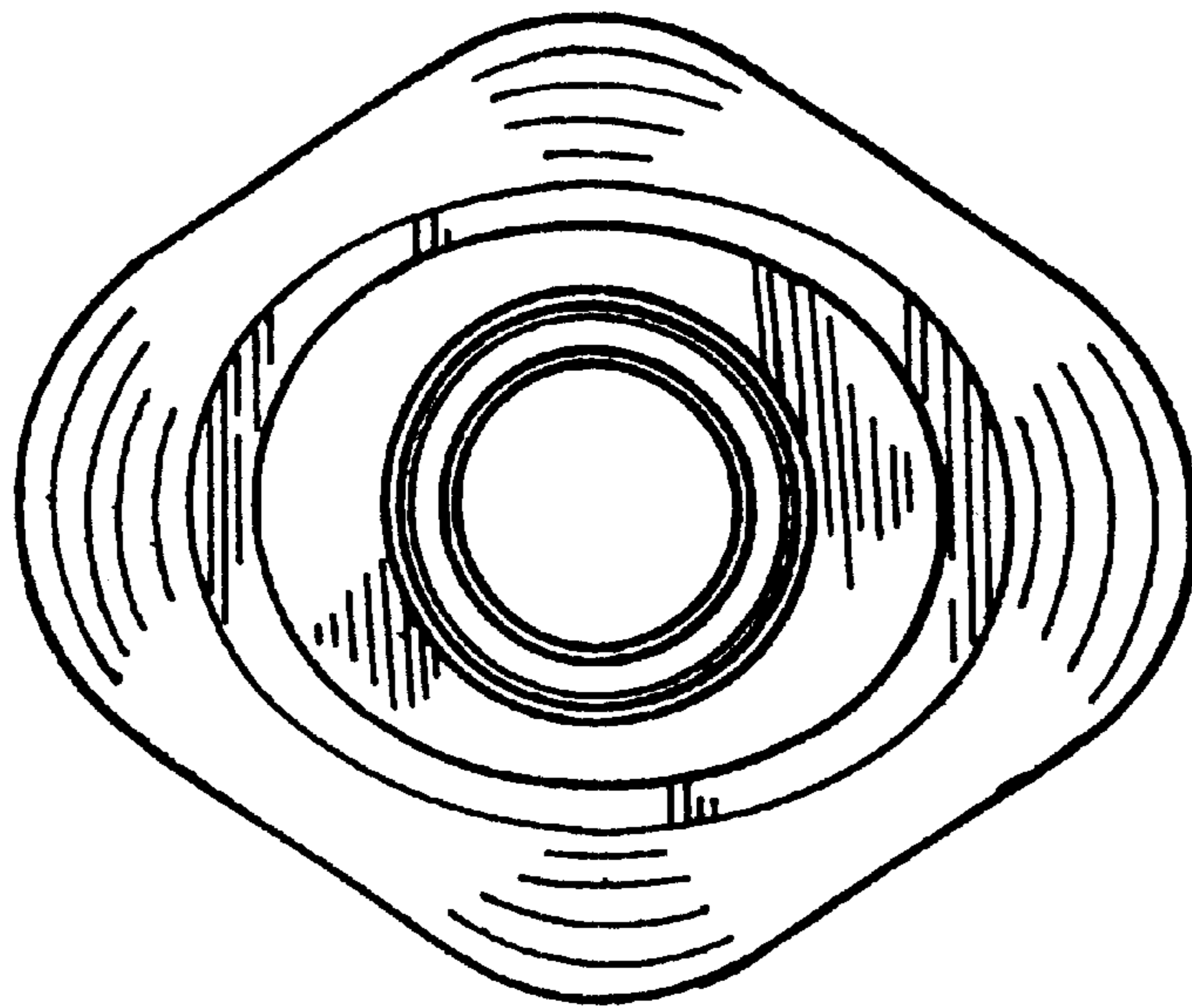


FIG. 2

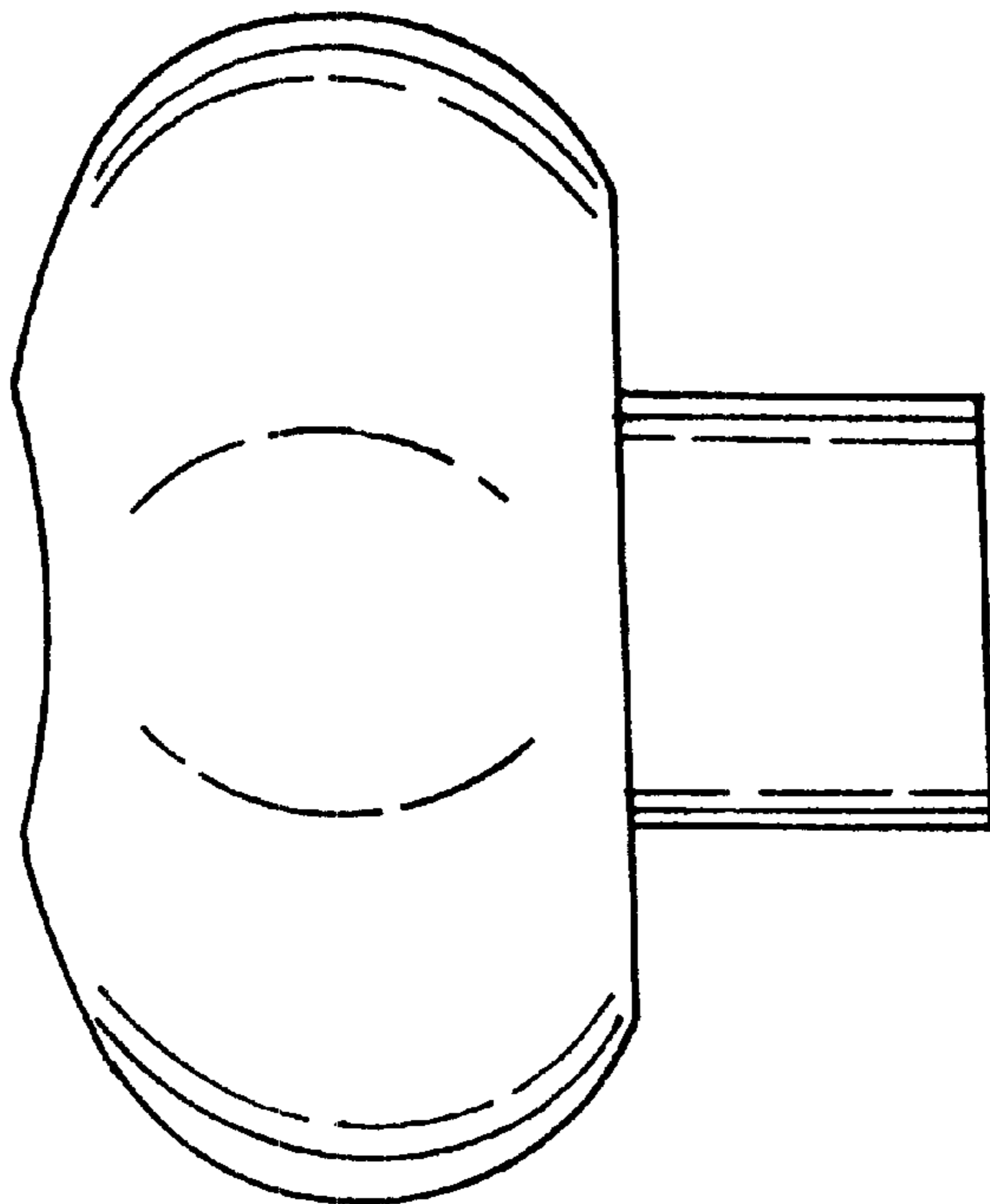


FIG. 3

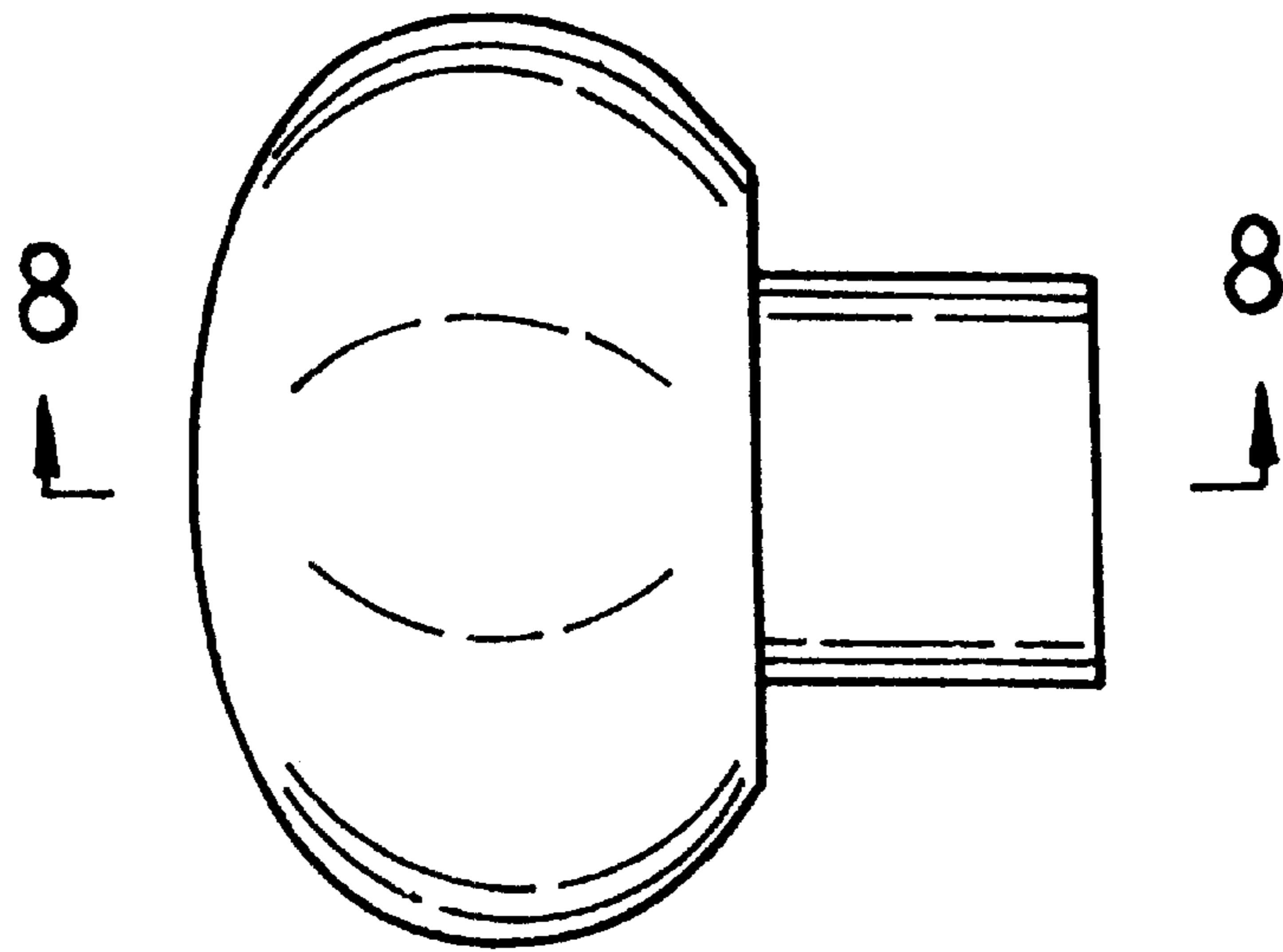


FIG. 4

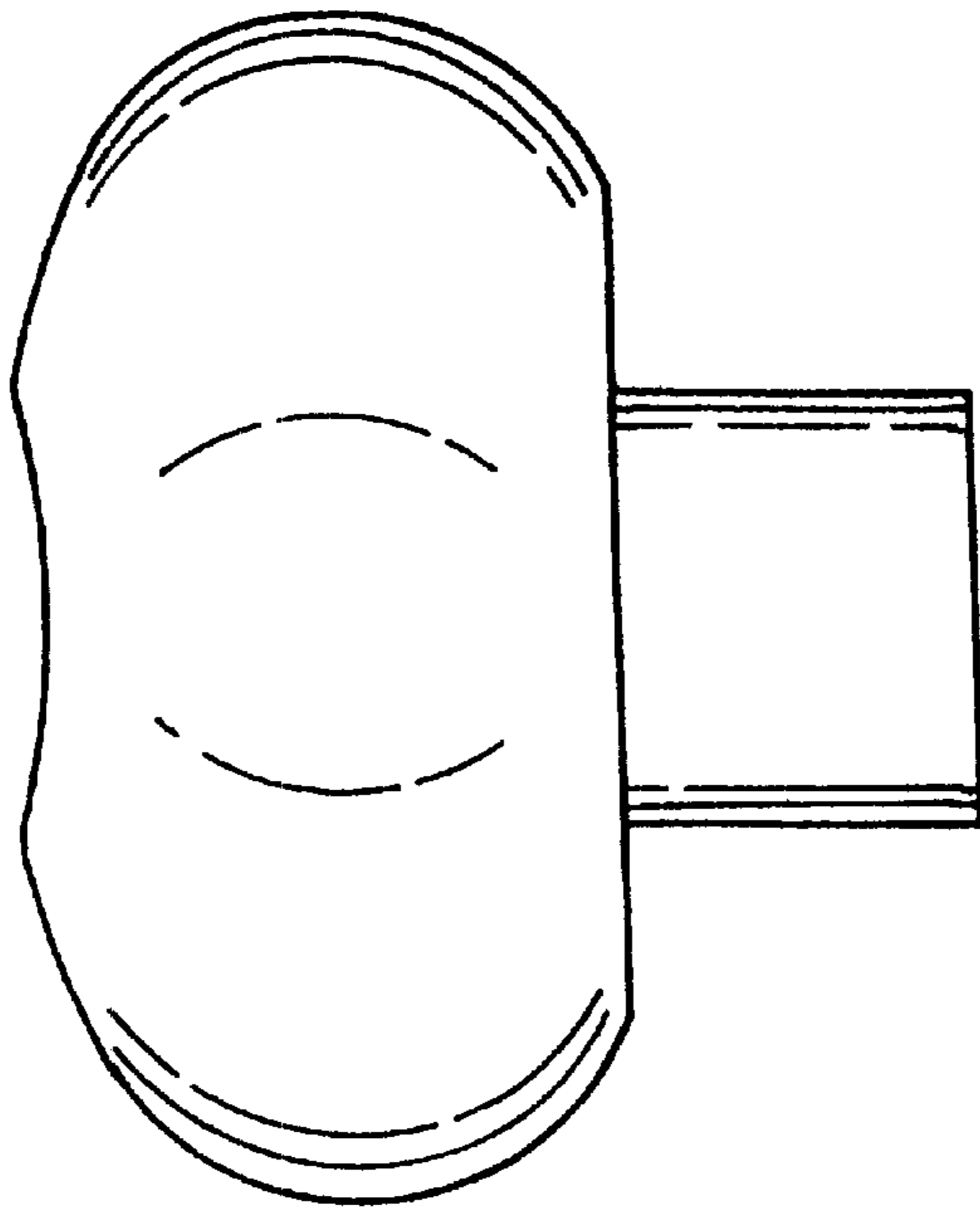


FIG. 5

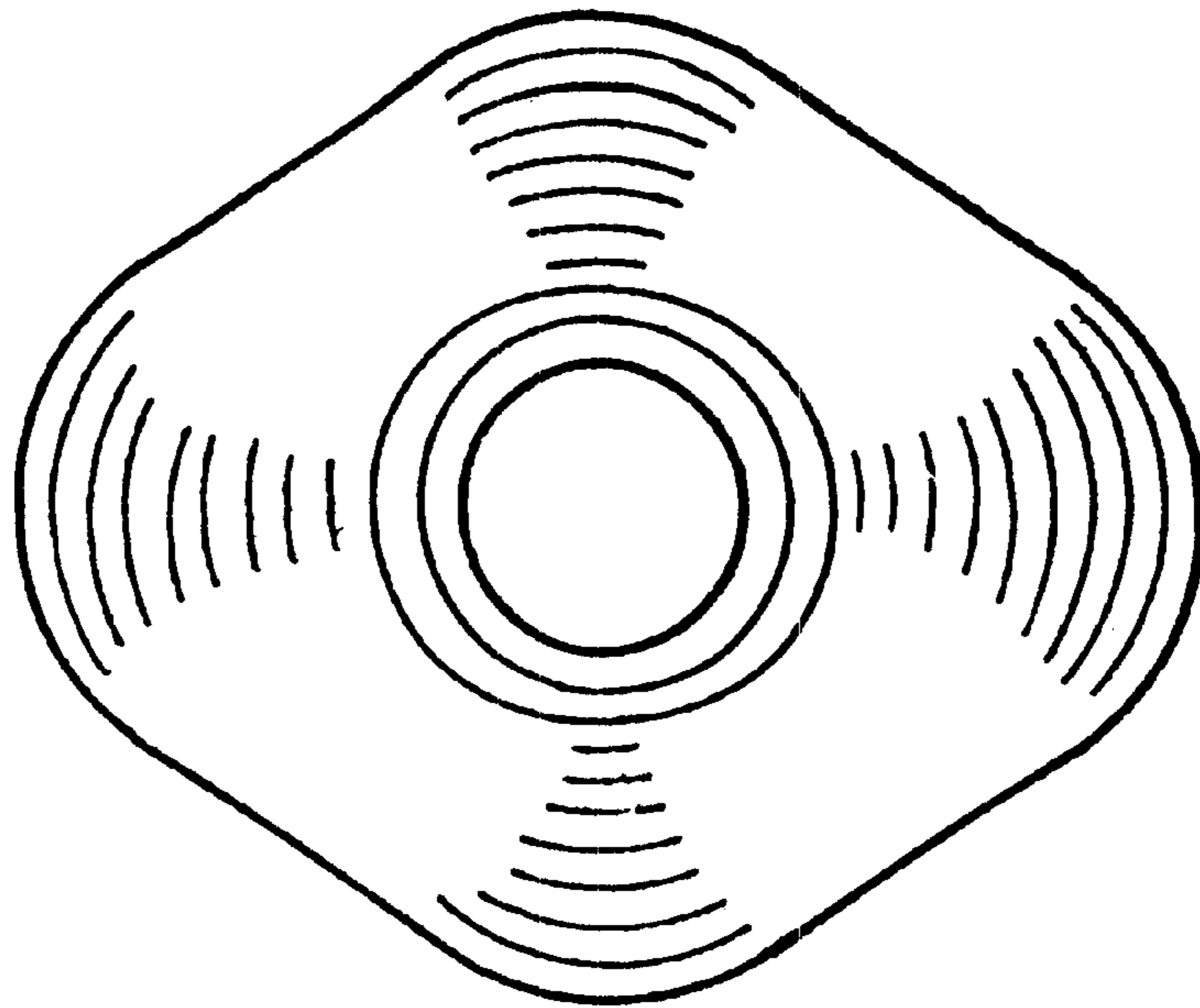


FIG. 6

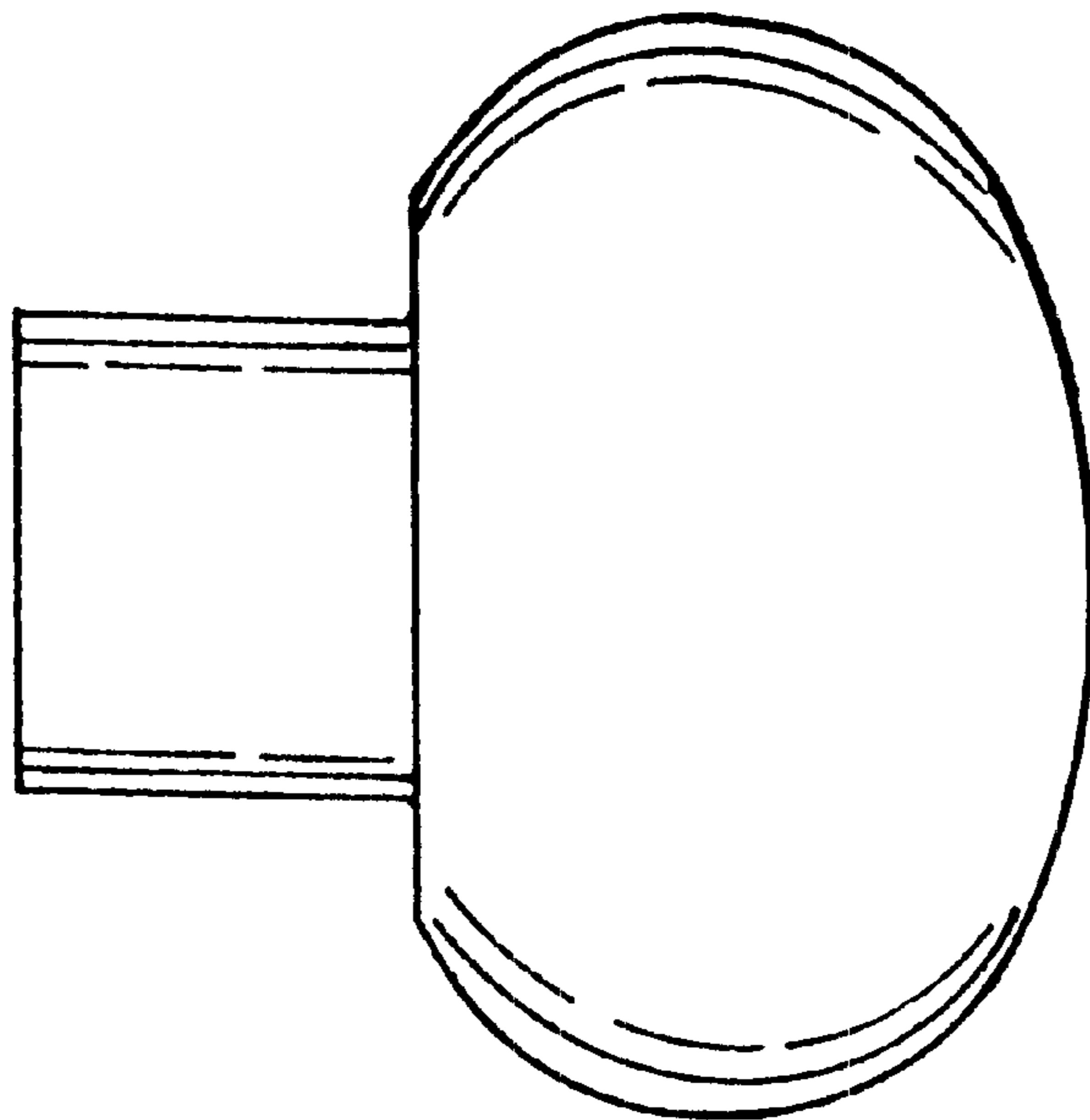


FIG. 7

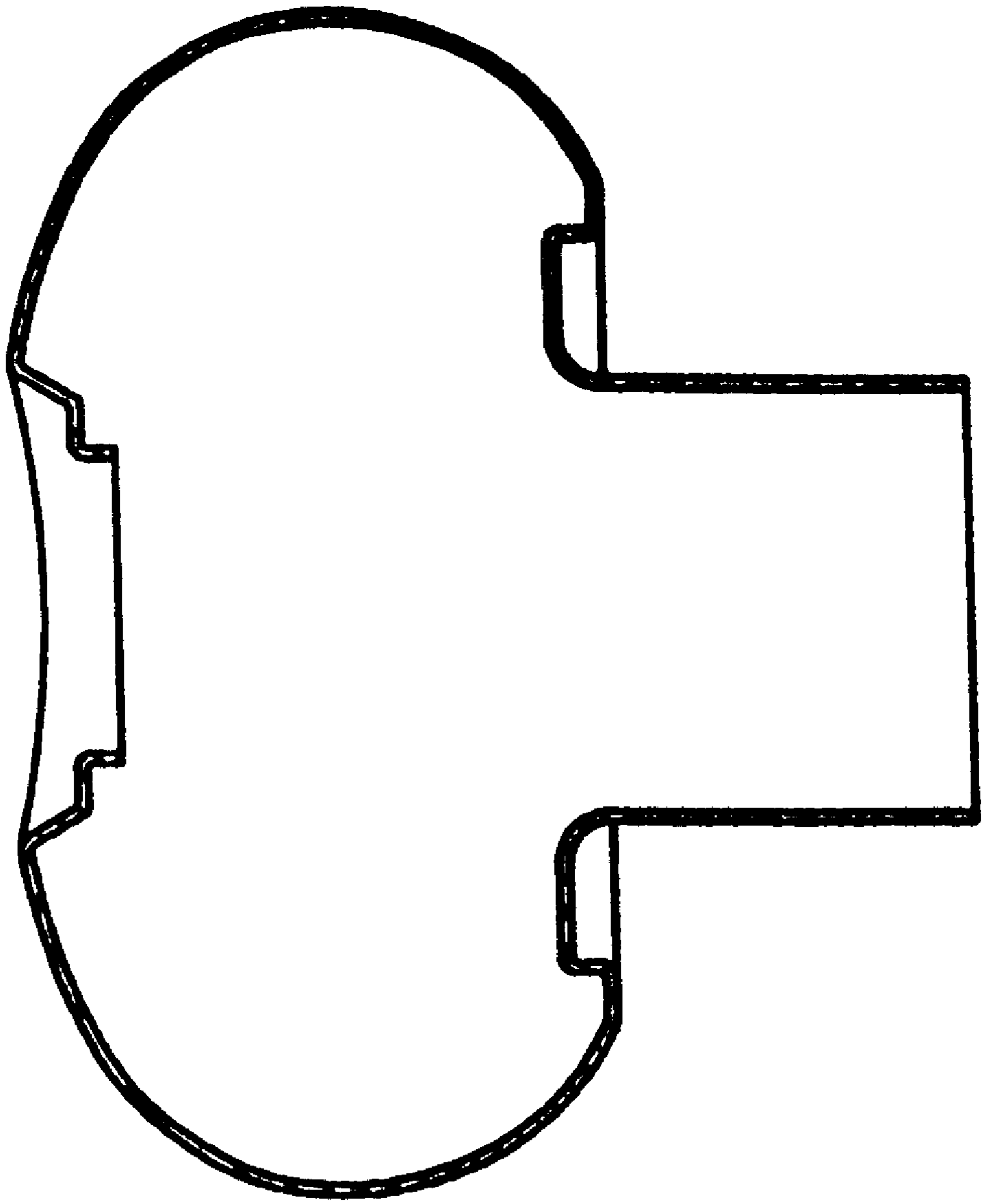


FIG. 8